

LINSY 林氏家居

五金表/Hardware list

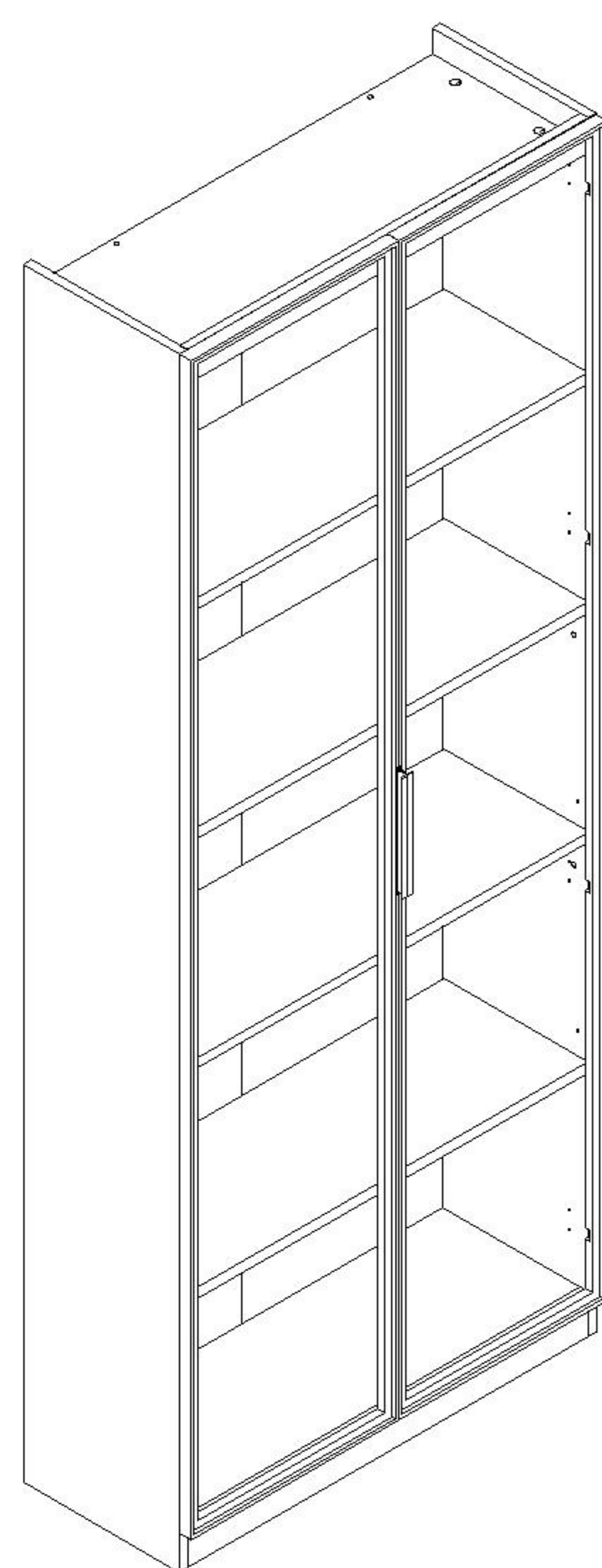
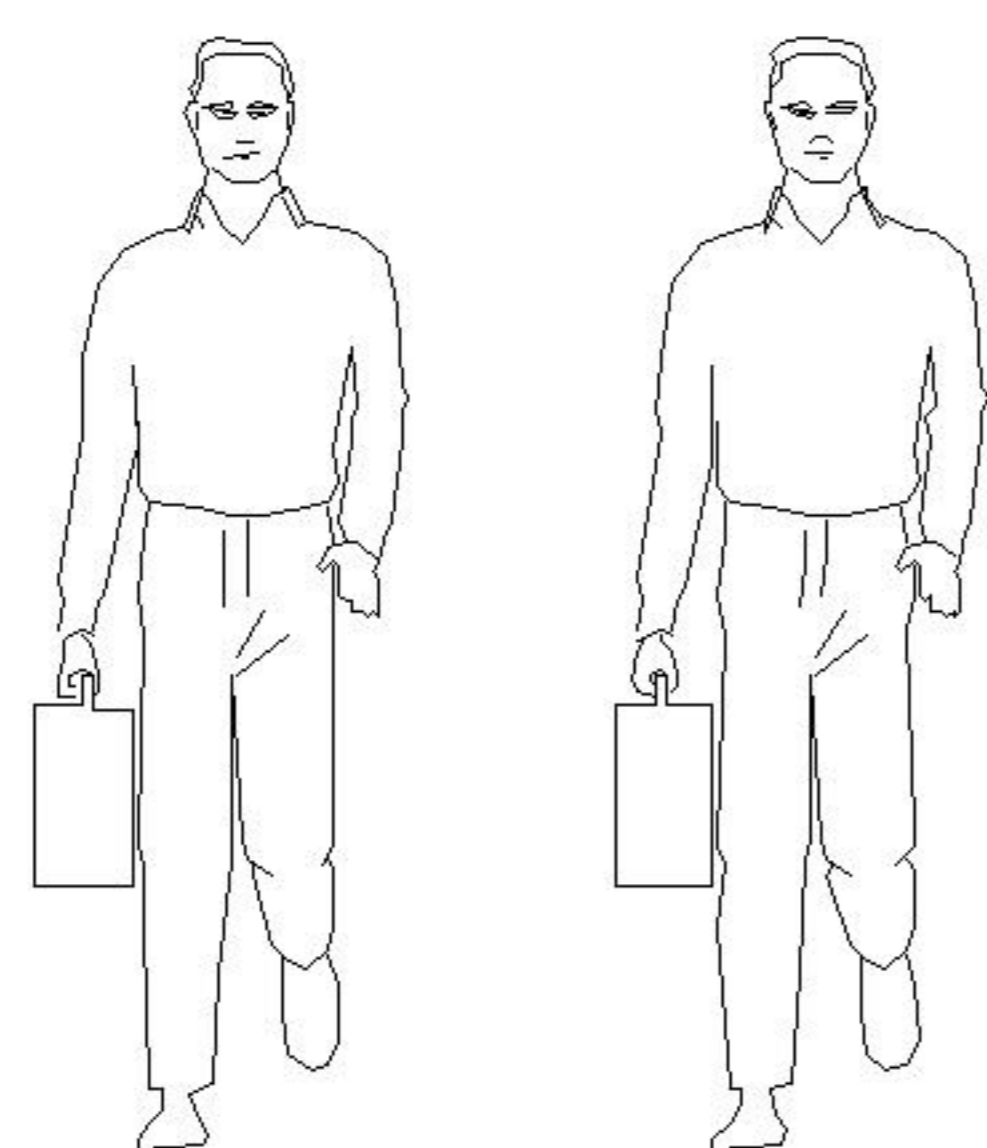
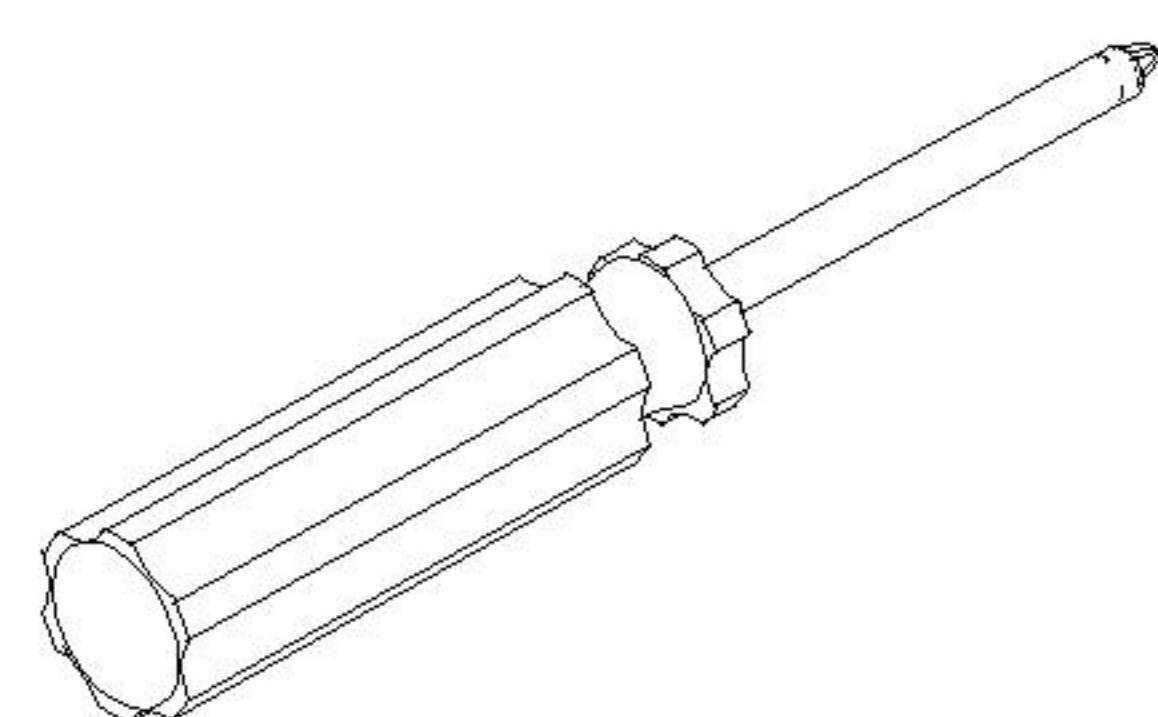
部件表/Parts List

安装示意图/Assembly Instruction

产品名称 Model NO. NG18X-A/-B

产品规格 Specification 796*337.5*2016mm

安装工具 Tool 安装人数 Installer

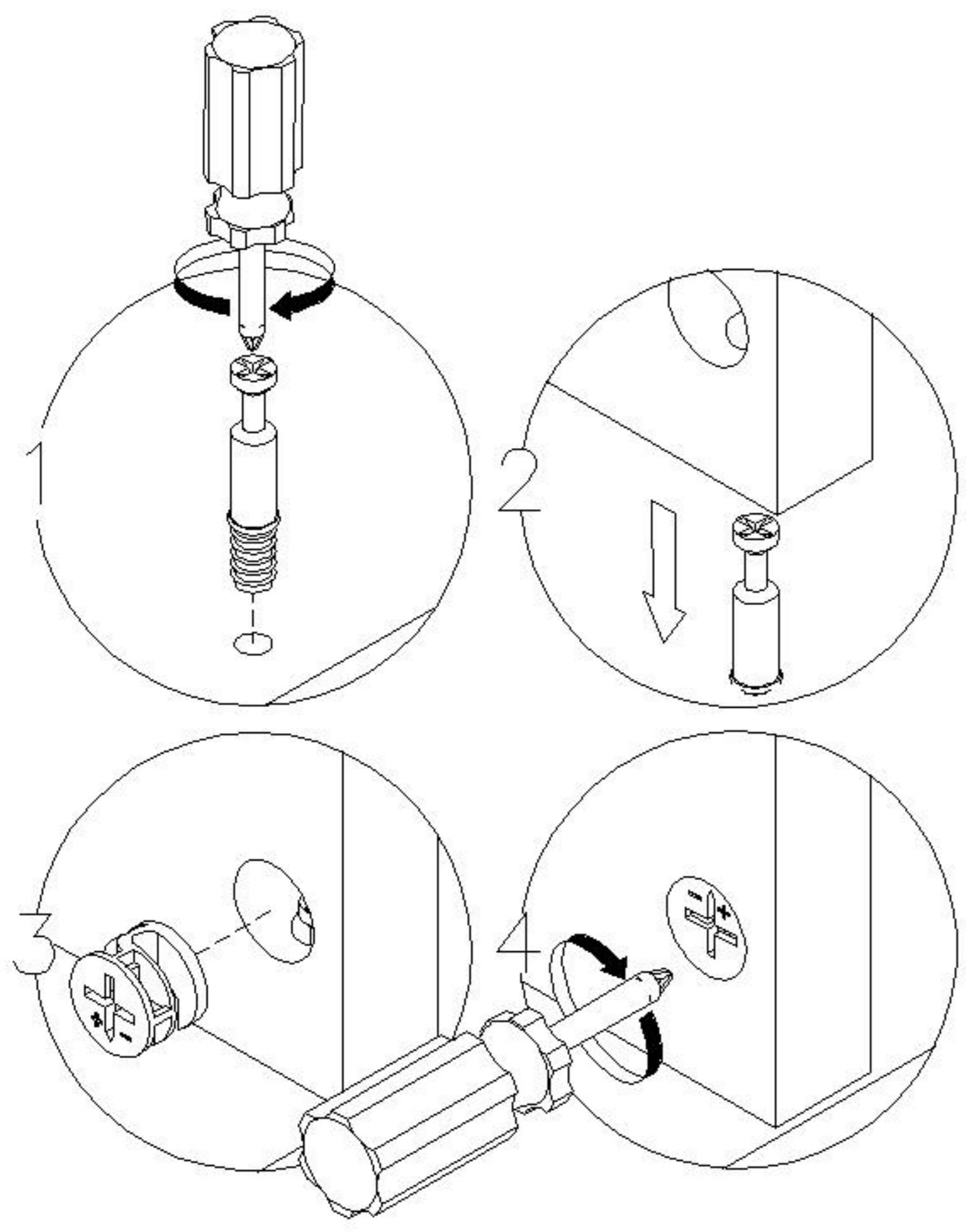


<p>(A)* 23 二合一螺杆(35mm) 2 in 1 screw</p>	<p>(B)* 23 大三合一锁饼(15mm) Three in one large lock</p>	<p>(C)* 15 木榫08x30mm wood tenon</p>	<p>(D)* 6 脚垫-灰色 Footrest Grey</p>
<p>(E)* 8 层板托5mm shelf support</p>	<p>(F)* 8 自攻大扁M4*16mm Self tapping flat screw</p>	<p>(G)* 8 背板扣 Back Plate Buckle-White</p>	<p>(H)* 8 自攻螺丝M3.5x16mm Self-tapping screw</p>
<p>(I)* 2 家具防倒器-白色 Anti-fall device white</p>	<p>(J)* 2 膨胀胶粒 Expanded rubber particles</p>	<p>(K)* 2 自攻螺丝M4x60mm Self-tapping screw</p>	<p>(L)* 8 铝框白带(Aluminum frame comes with) 铝框缓冲门铰直弯 Aluminum frame hinge straight bending</p>

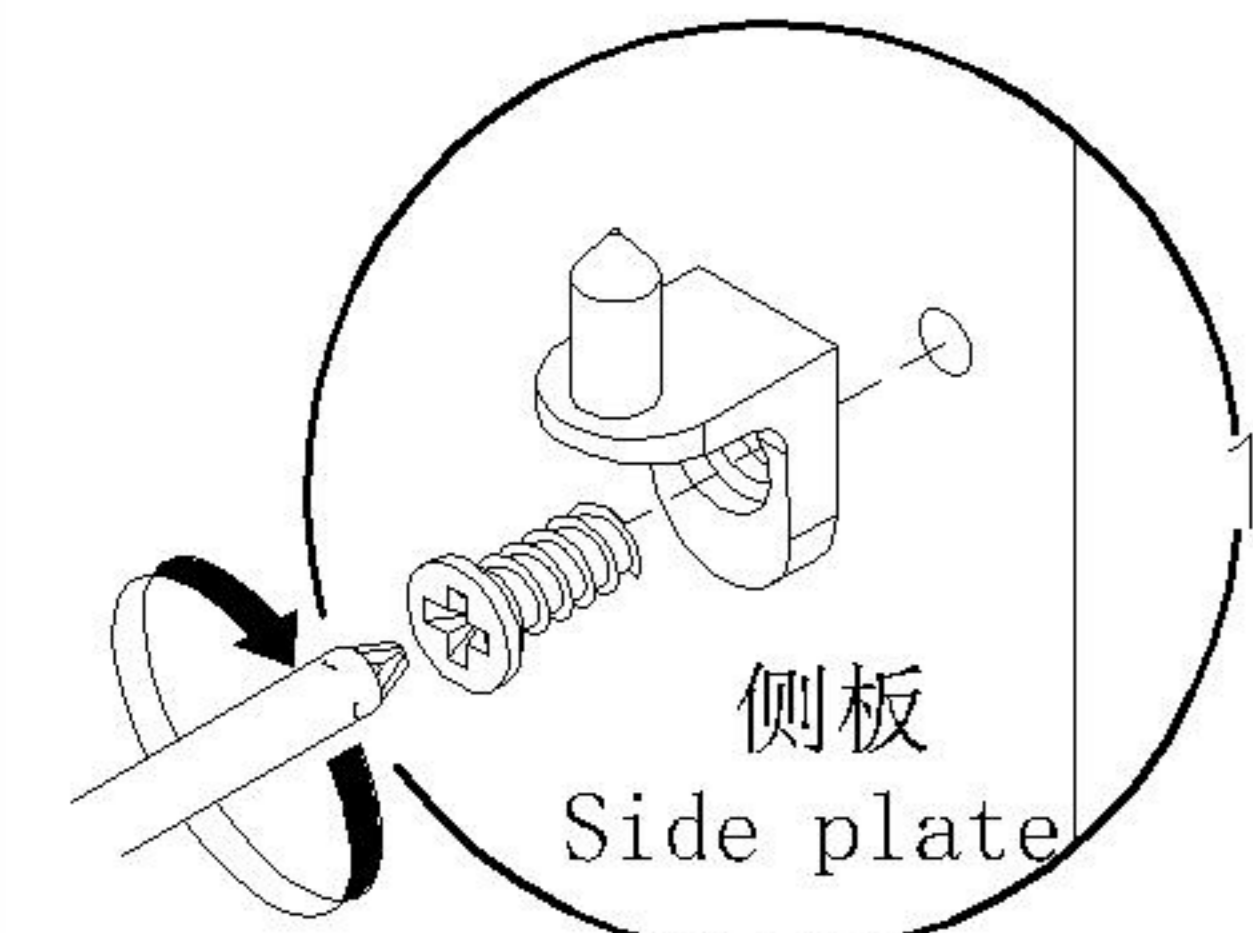
编号NO.	名称Name	规格(mm) Specification	数量QTY	材质Material
①	双列书柜基础柜Double row bookcase foundation cabinet	796*298*2016	1	
1-1	左侧板Side board(L)	2013*298*15	1	三胺板 Melamine
1-2	右侧板Side board(R)	2013*298*15	1	三胺板 Melamine
1-3	顶底板roof and floor	766*282*15	2	三胺板 Melamine
1-4	背板Back board	1892*388*5	2	三胺板 Melamine
1-5	上拉条Top brace	766*58*15	1	三胺板 Melamine
1-6	下拉条Bottom brace	766*73*15	1	三胺板 Melamine
1-7	立水Apron	766*58*15	1	三胺板 Melamine
②	层板2(四块层板) Layer 2 (four layers)	766*275*72	1	
2-1	固定层板Fixed shelf	766*275*18	2	三胺板 Melamine
2-2	活动层板Movable shelf	765*275*18	2	三胺板 Melamine
③	双门铝框 Double door aluminum frame	1950*396*79	1	
3-1	门板Door board	1950*396*39.5	2	铝合金+PS塑料 aluminum alloy+PS plastics

NG18X-A/-B

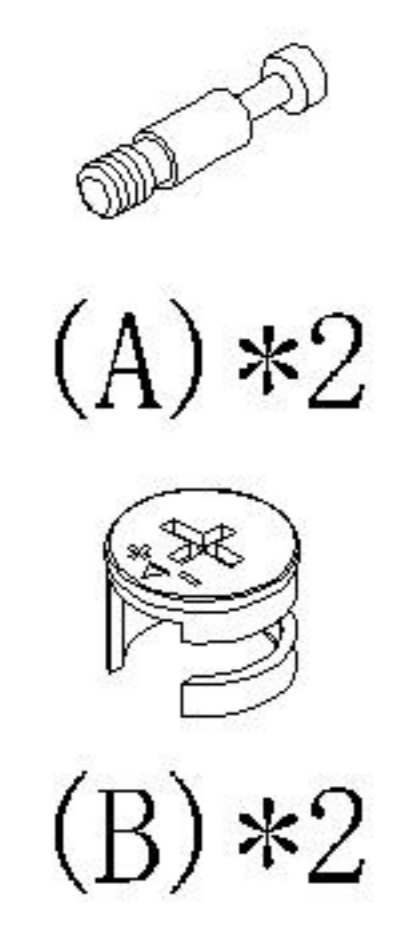
安装方法/
Installation method



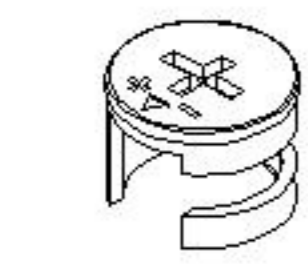
二合一 two-in-one



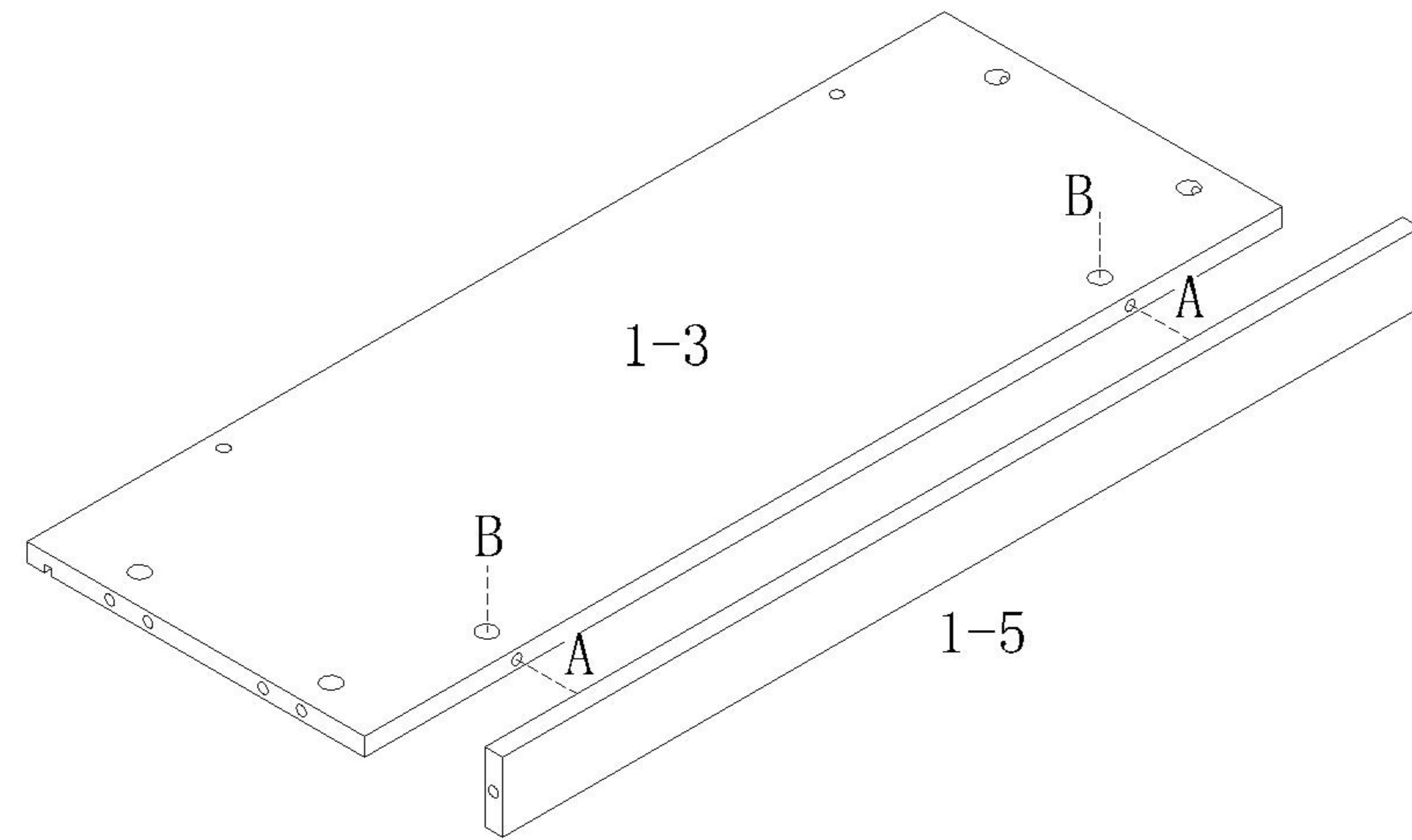
层板托5mm
shelf support



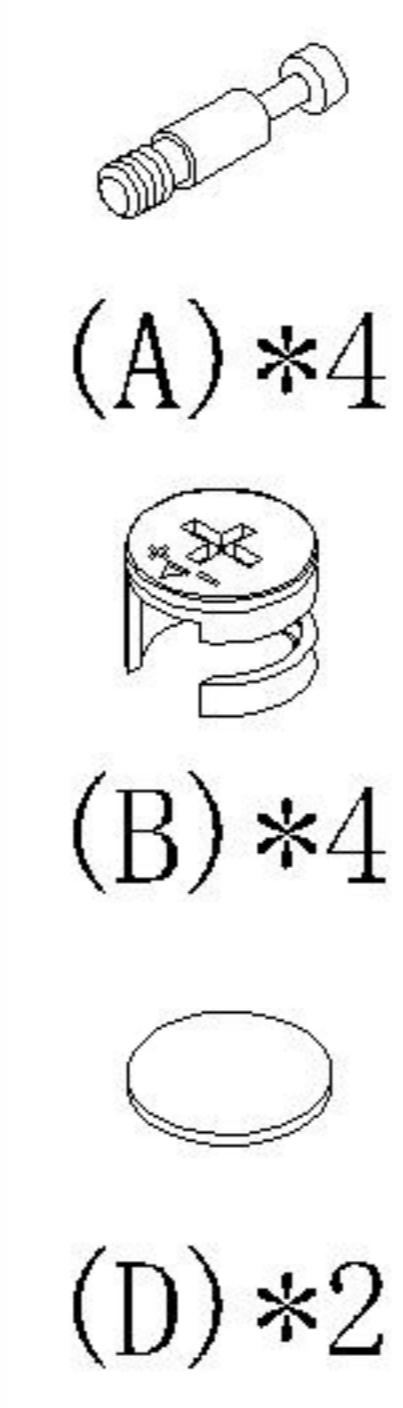
(A)*2



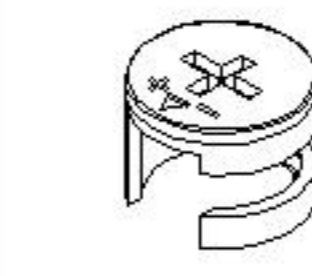
(B)*2



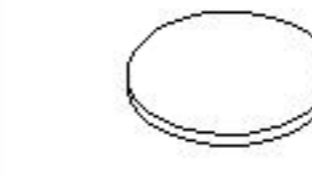
1



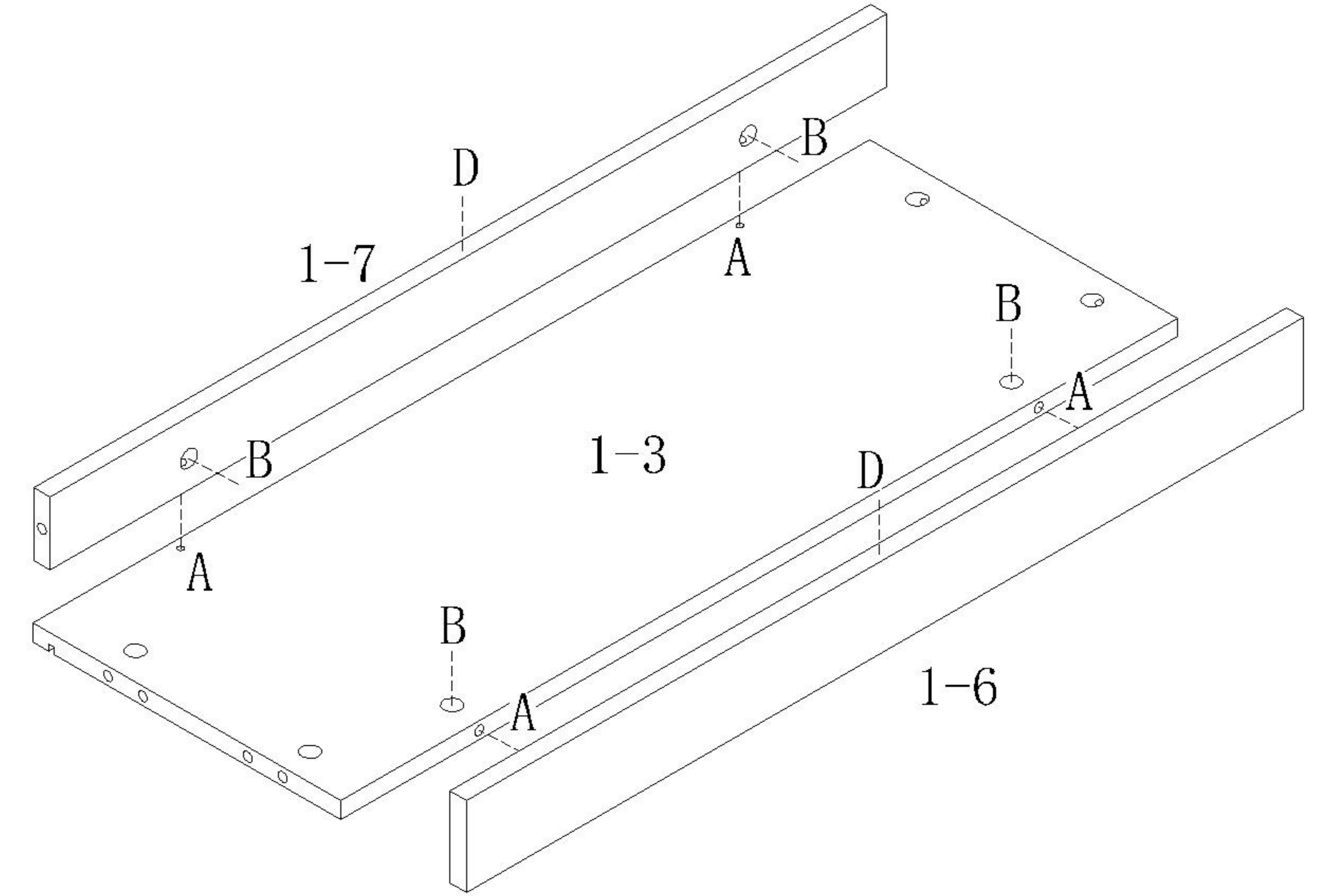
(A)*4



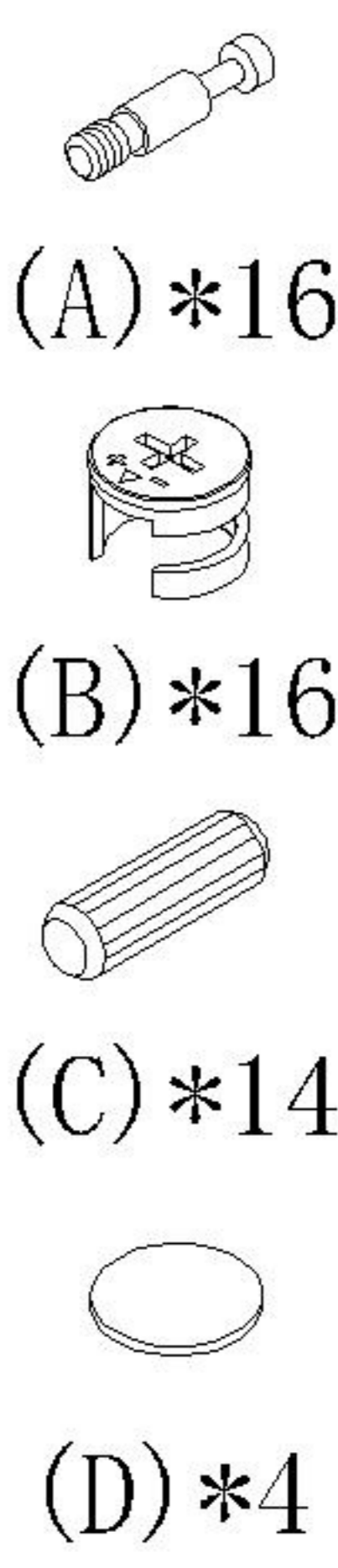
(B)*4



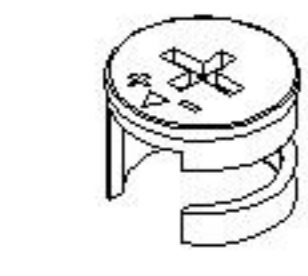
(D)*2



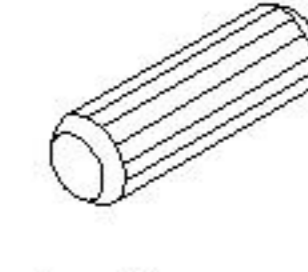
2



(A)*16



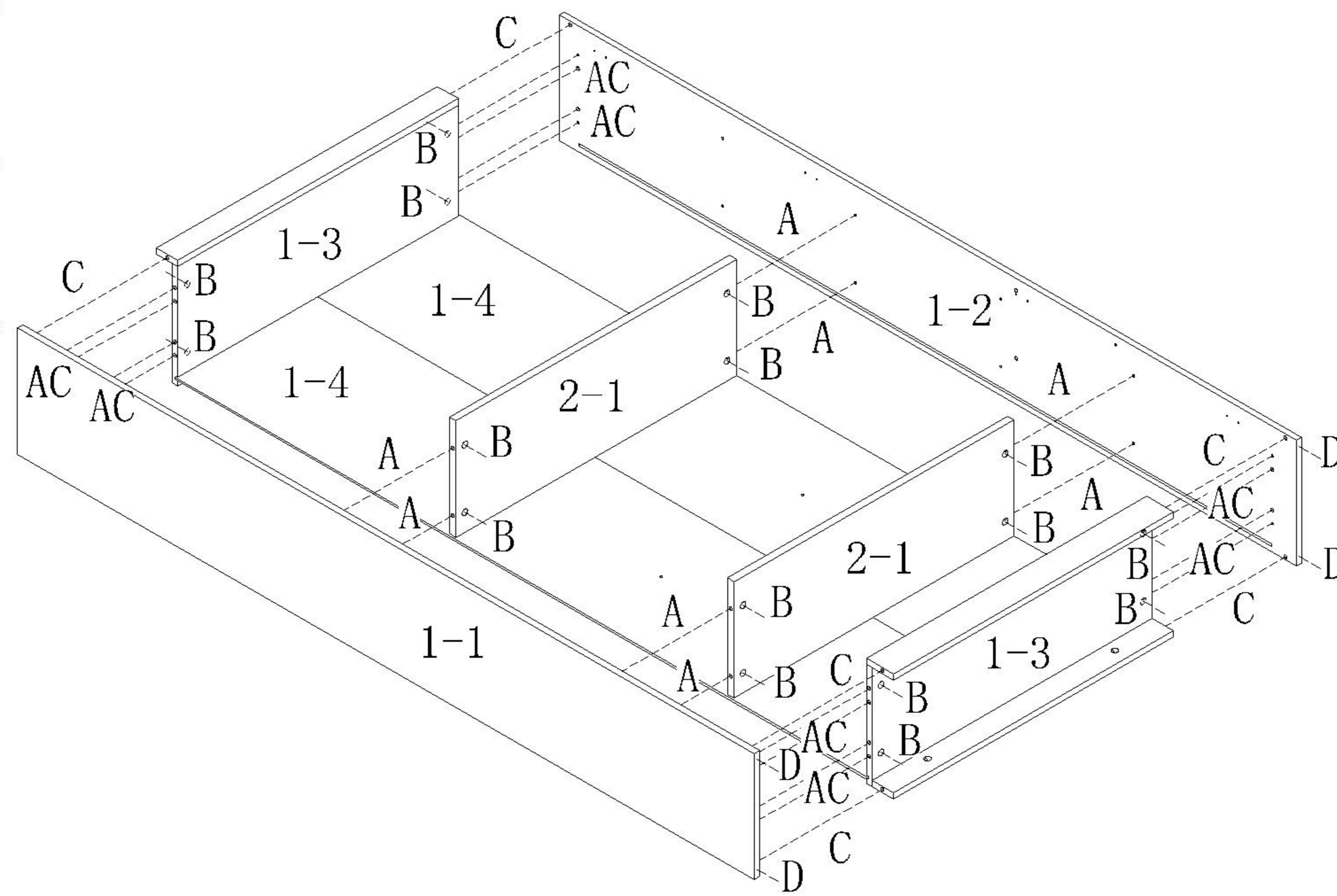
(B)*16



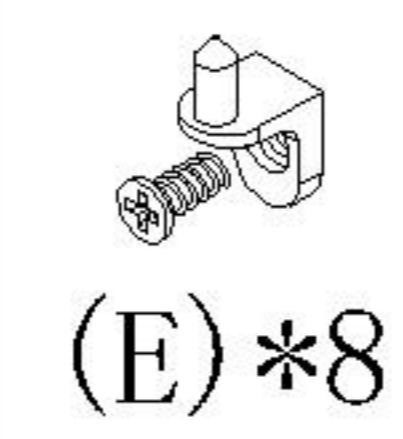
(C)*14



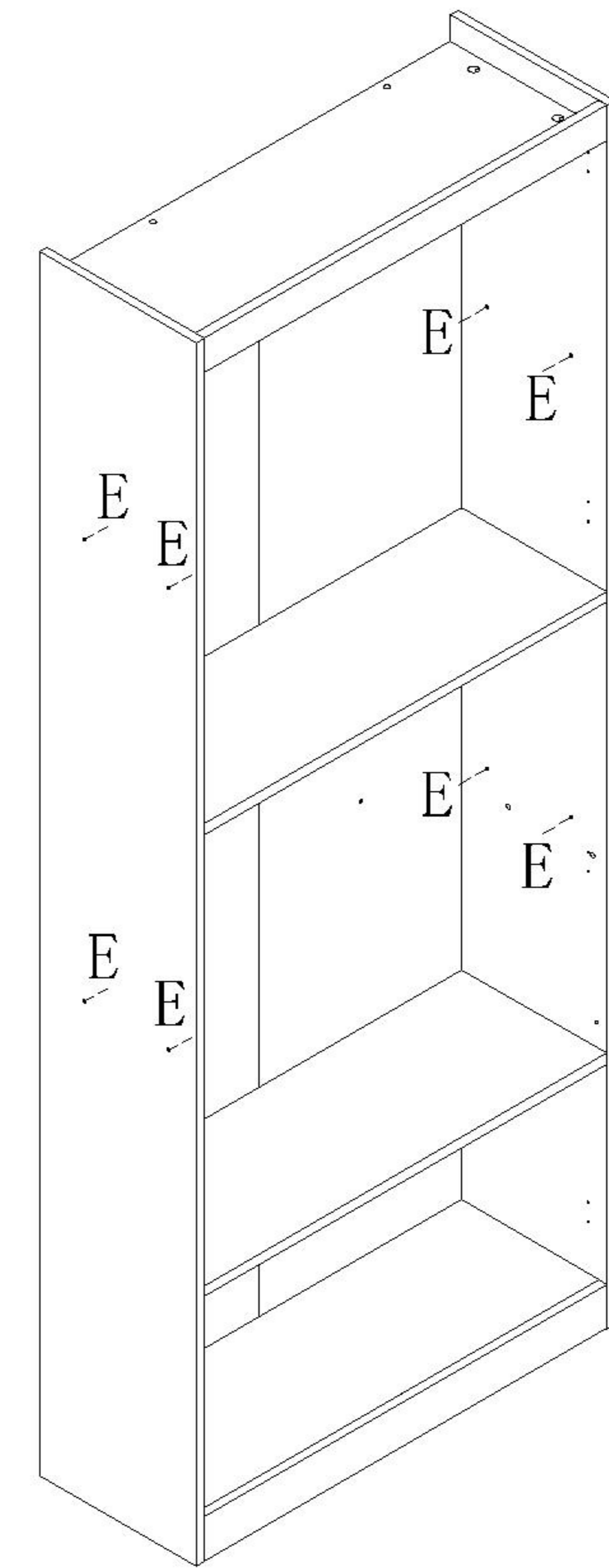
(D)*4



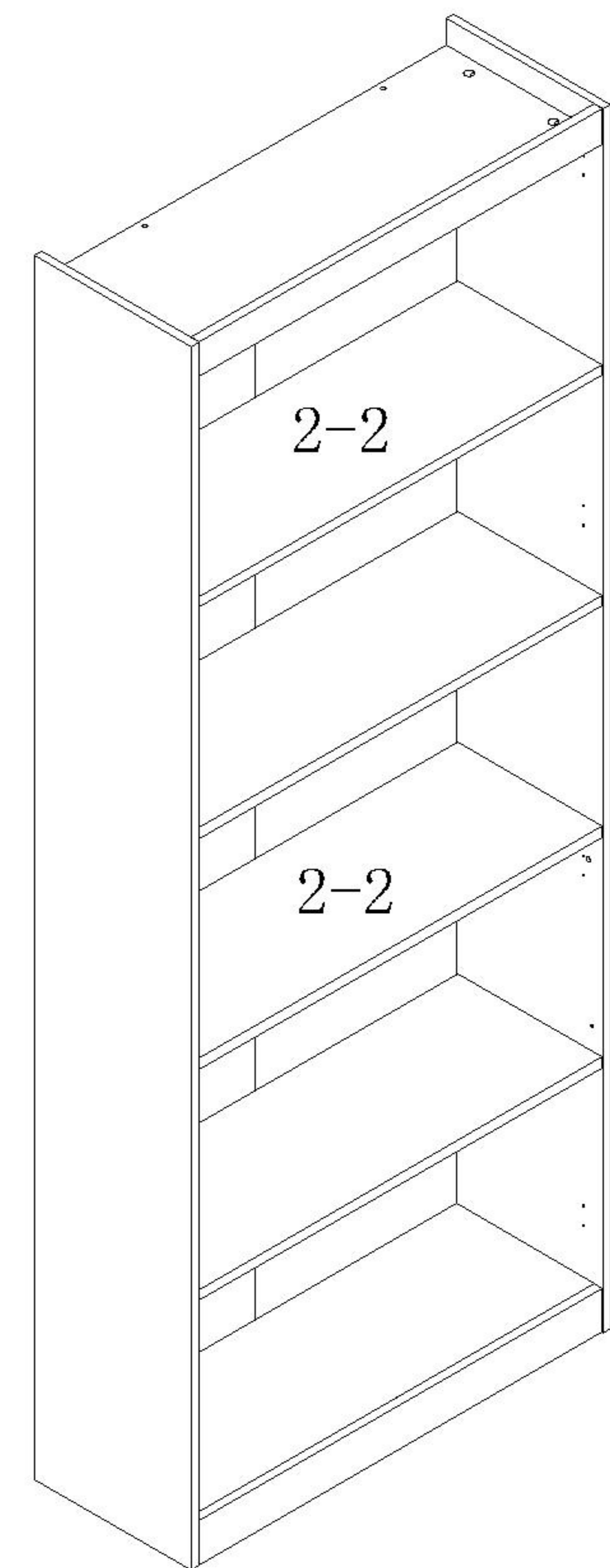
3



(E)*8

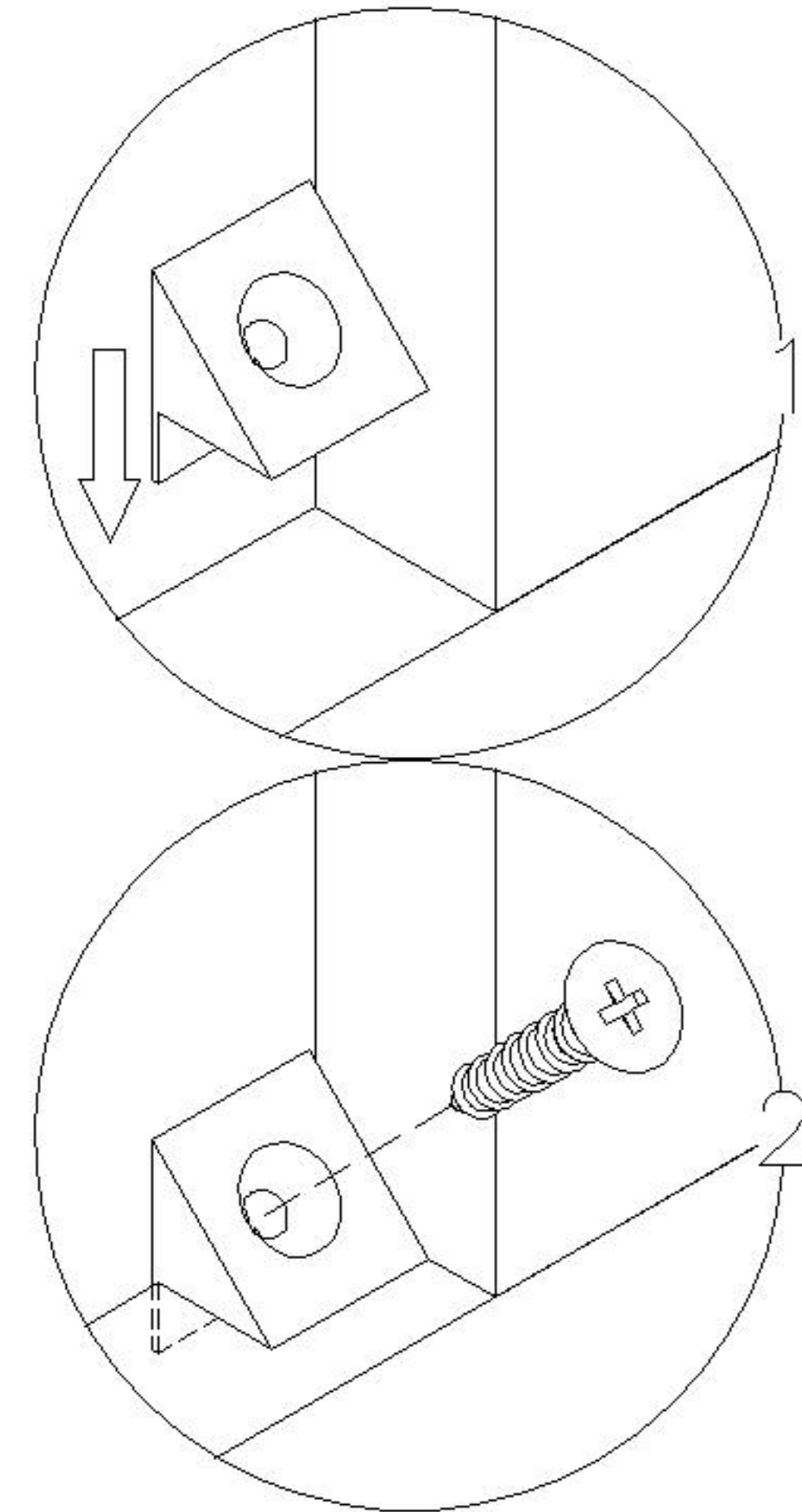


4

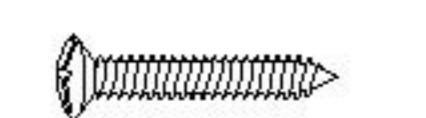

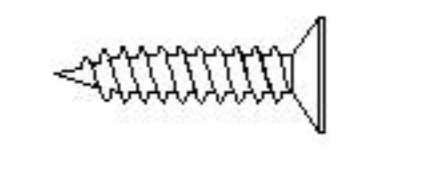

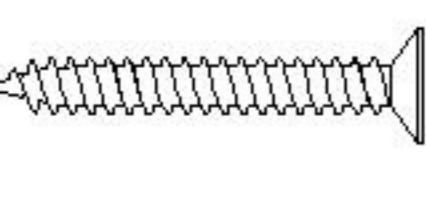


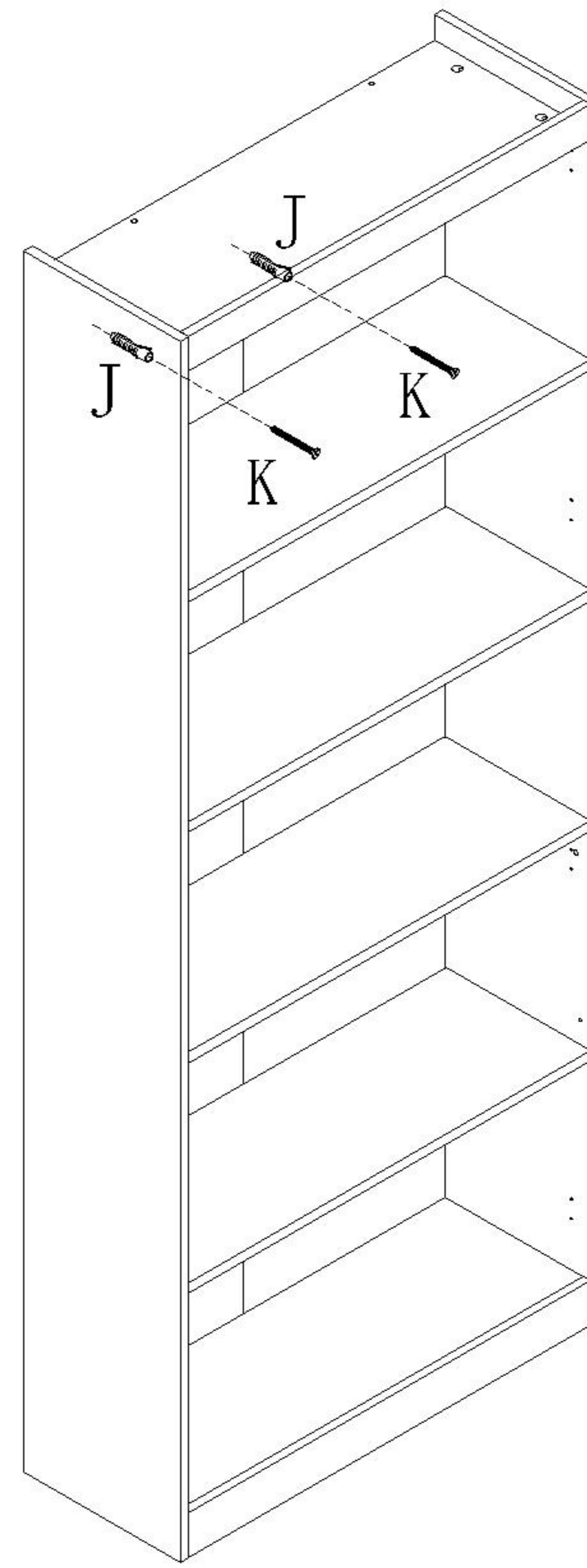
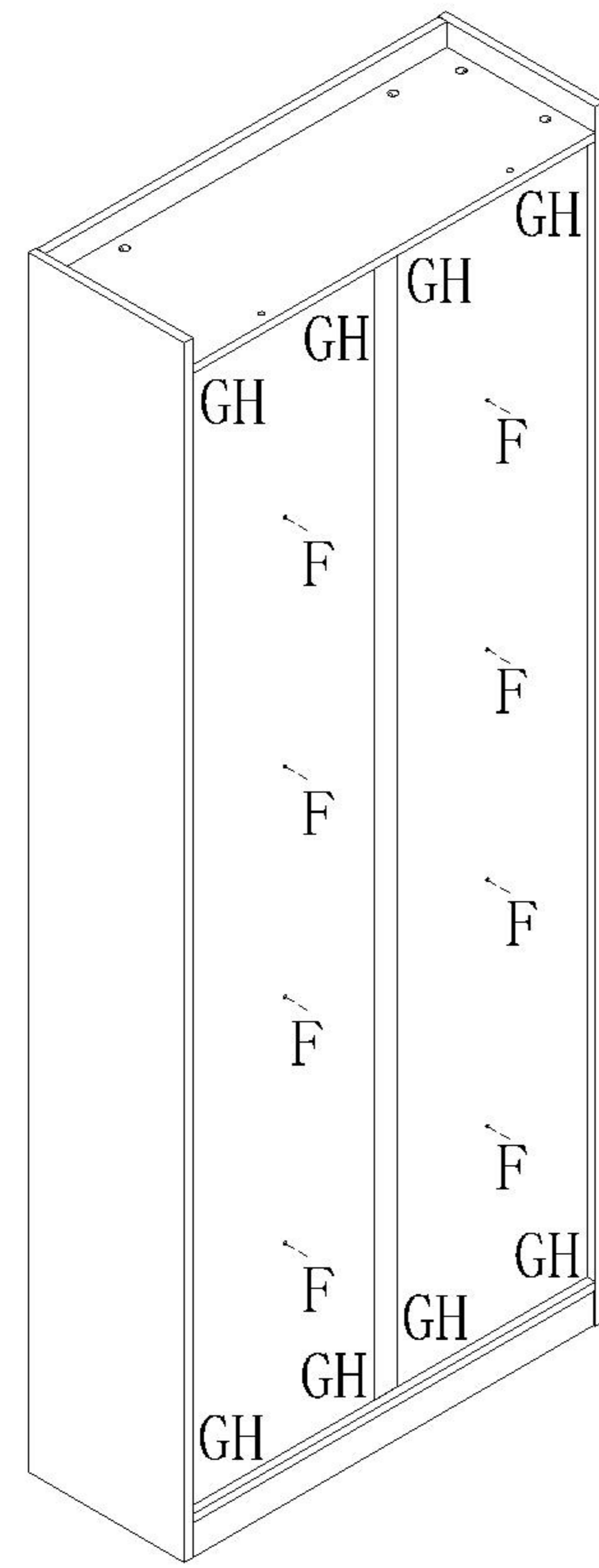
NG18X-A/-B

安装方法/
Installation method

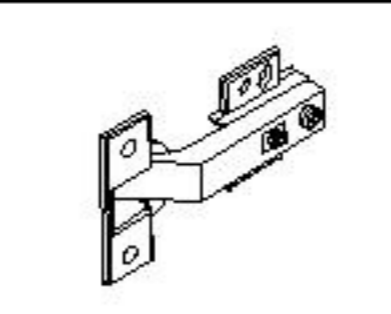


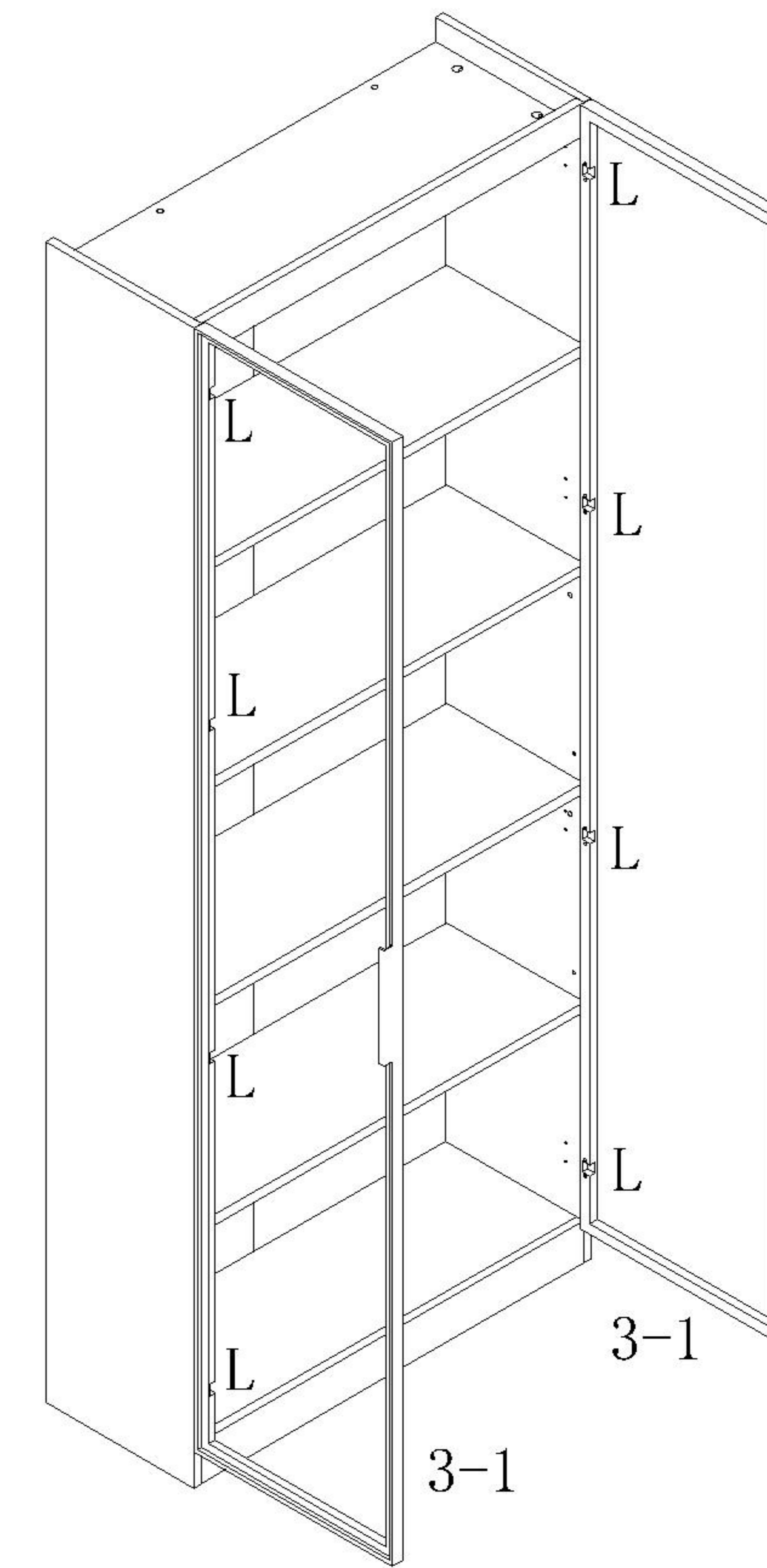
背板扣
Back Plate Buckle

-  (F)*8
-  (G)*8
-  (H)*8
-  (J)*2
-  (K)*2

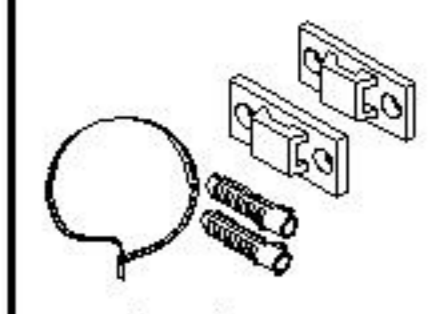


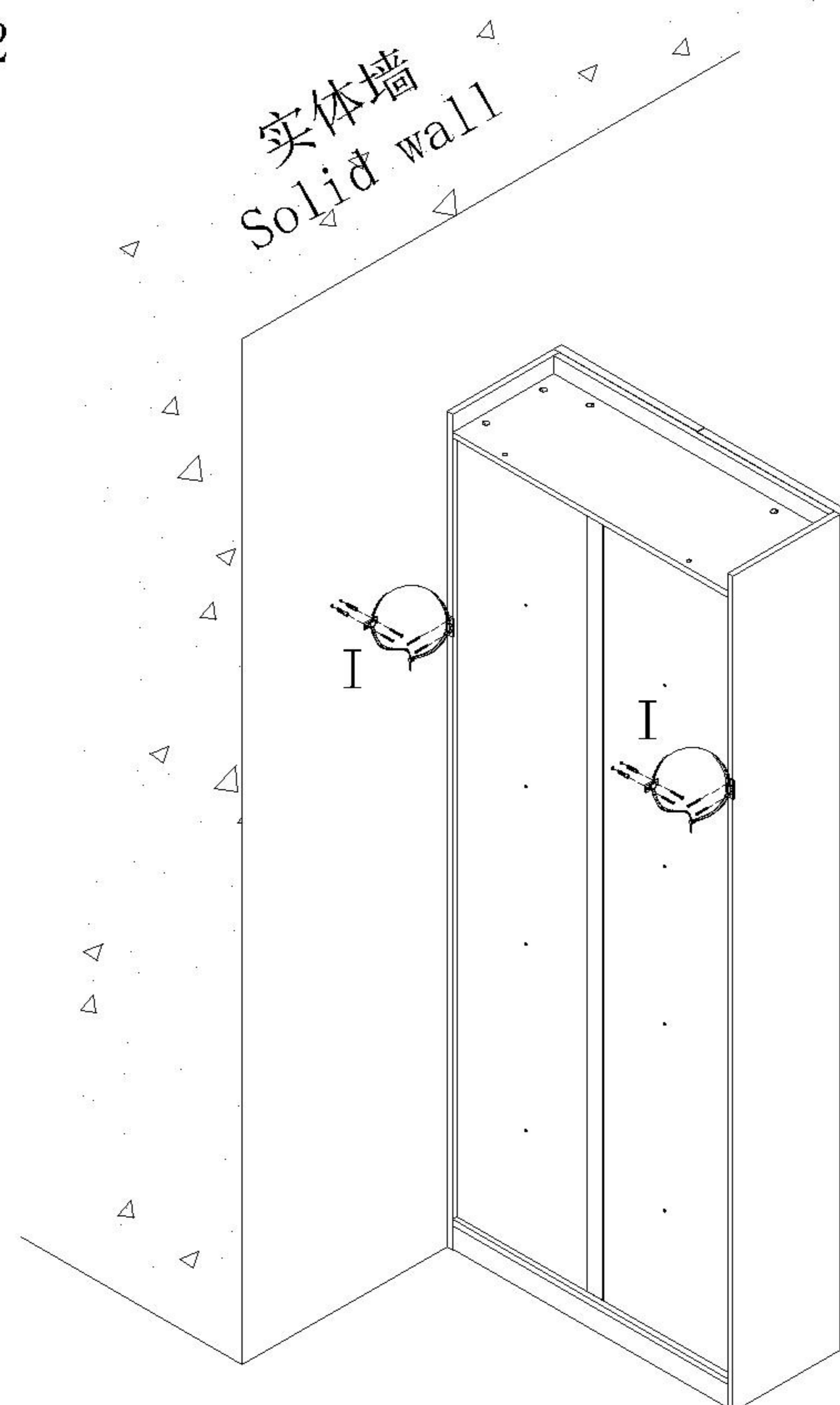
5

-  (L)*8



6

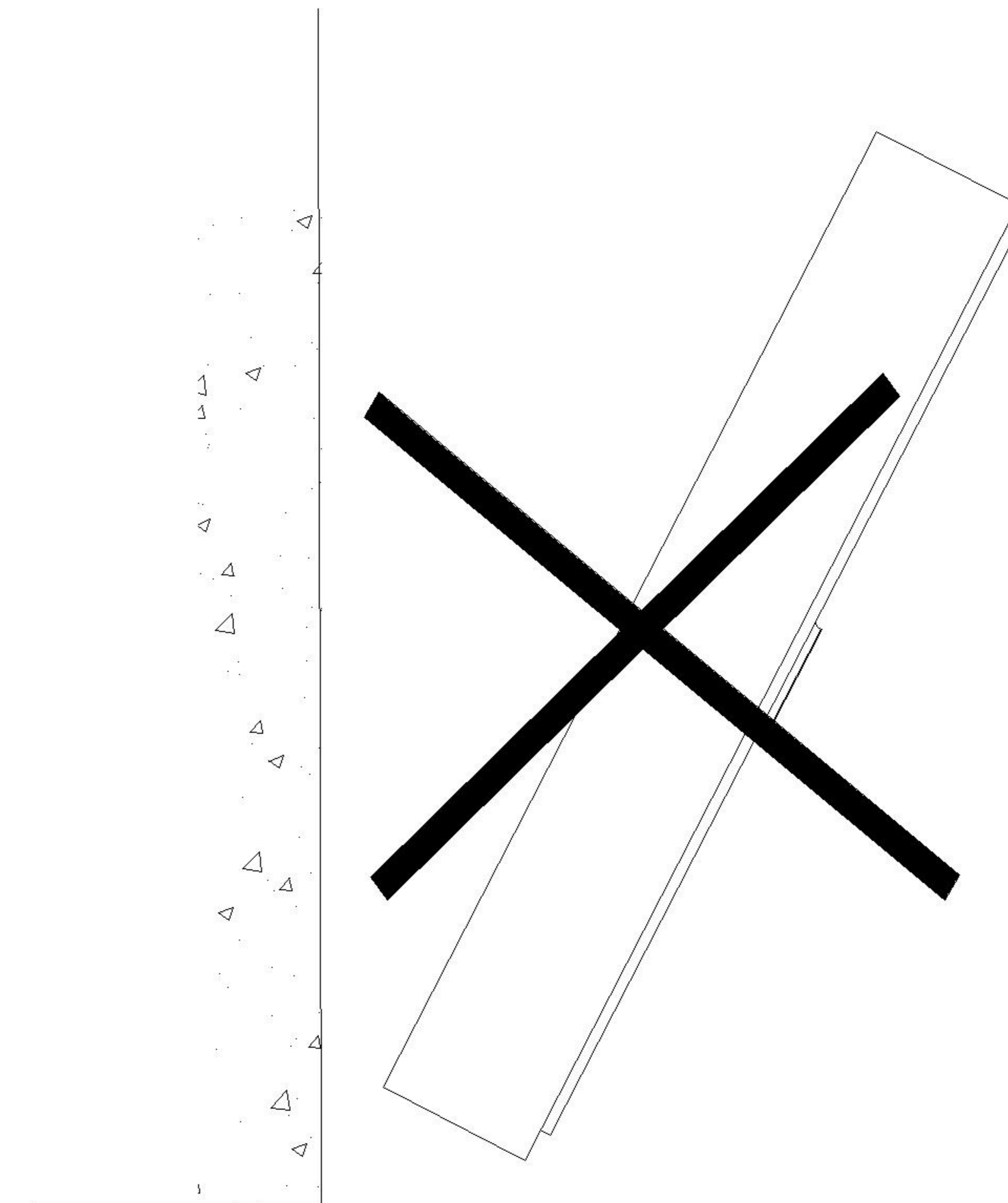
-  (I)*2



注意：
防倒器一定要按图安装，为防止柜子倾倒！

be careful:
The anti fall device must be installed according to the diagram to prevent the cabinet from tipping over!

7



8