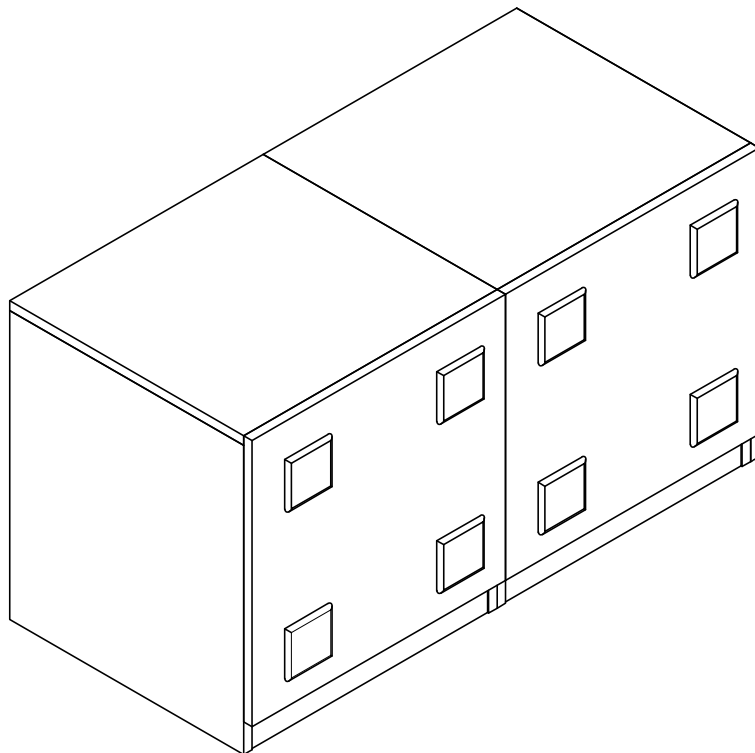


Assembly Instructions

Trudy Series



Lifely*

Product Code

TDY-TV-180 Trudy TV Unit

Dimensions(W x D x H)

900*430*500mm

Important

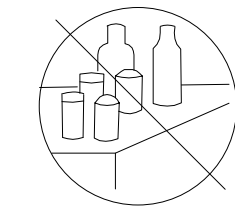
Please read through instruction carefully
Before assembly and keep for future reference.

For our full catalogue of assembly instructions,
Visit: lifely.com.au/assembly.

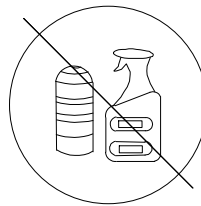
Important Tips and Maintenance



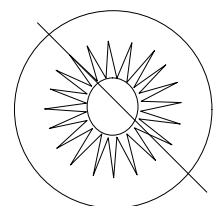
1. Keep children and animals away from working area as smaller parts may cause choking if swallowed.



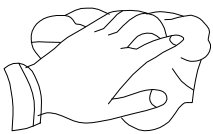
2. Never place liquids or anything damp upon furniture as it will mark. Ensure a coaster or running is beneath.



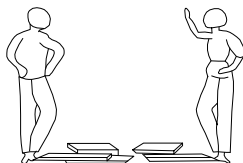
3. Never use ammonia based cleaning products as it will damage the finish.



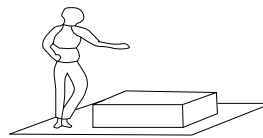
4. To avoid fading, keep furniture out of direct sunlight.



5. Use a soft or damp cloth (dry cloth) when wiping or cleaning surfaces.



6. Two person are required.



7. Lay a soft matt down to protect the furniture piece before and

So your relationship is strong. But is it flat-pack furniture strong? Unless you're an aerospace engineer, assembling furniture can be slightly stressful. We recommend meditating quietly, pouring yourself a herbal tea (or slightly less herbal wine) and tackling things one step at a time. If you feel a passive aggressive remark coming on, try a compliment instead. E.g. "You're so good looking"

This 12-step assembly should take around 75 minutes with an Allen Key - or 60 minutes with an electric drill. Godspeed.

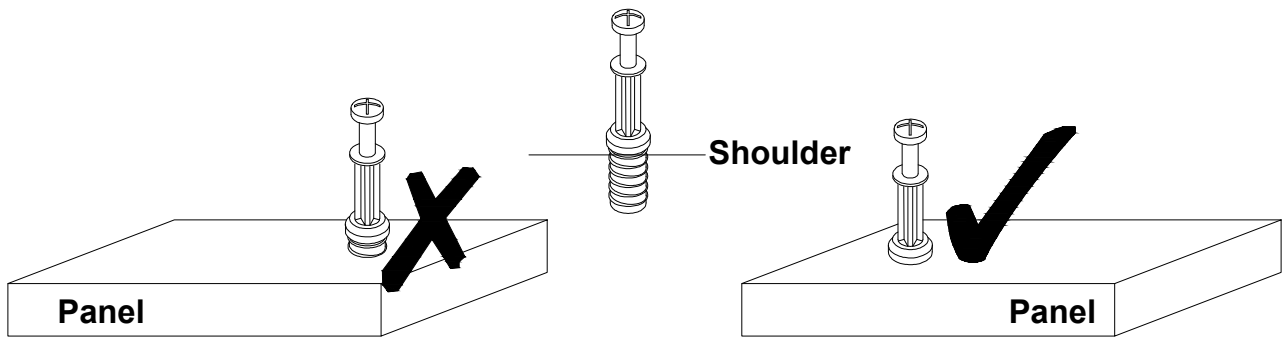
Designed for everyday

Before Assembly

Tips Before Your Start:

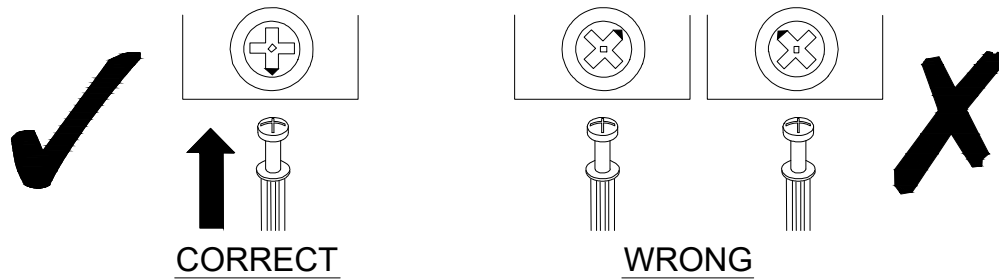
- Remove all wrapping material, including staples & packing straps before you start to assemble.
- DO NOT tighten all screws and bolts until completely assembled.
- Keep all hardware parts out of reach of children.

QUICKFIT



Tighten quickfit until shoulder is flush with panel. Do not overtighten or undertighten.

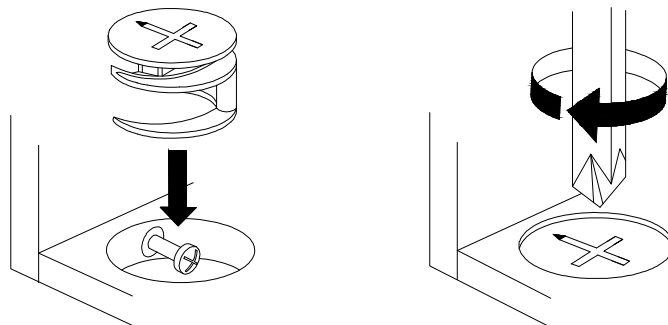
CAM LOCK



When fitting cam lock, ensure starting position is correct before you insert connecting quickfit.

Quickfit head should be in the centre of the cam lock when the two panels are joined.

Cam lock should be inserted before quickfit.



Turn cam lock clockwise to tighten.

Component Hardware

Please check you have all the fittings part or tools are listed in below.

No. A
Quantity:36Pcs
Cam Lock Dowel
8*28mm



No. B
Quantity:24Pcs
Dowel
8*30mm



No. C
Quantity:36Pcs
Cam
φ15



No. D
Quantity:8Pcs
Shelf Support



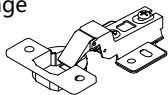
No. E
Quantity:16Pcs
Screw
4*16mm



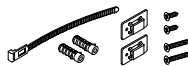
No. F
Quantity:8Pcs
Screw
4*14mm



No. G
Quantity:4Pcs
Hinge



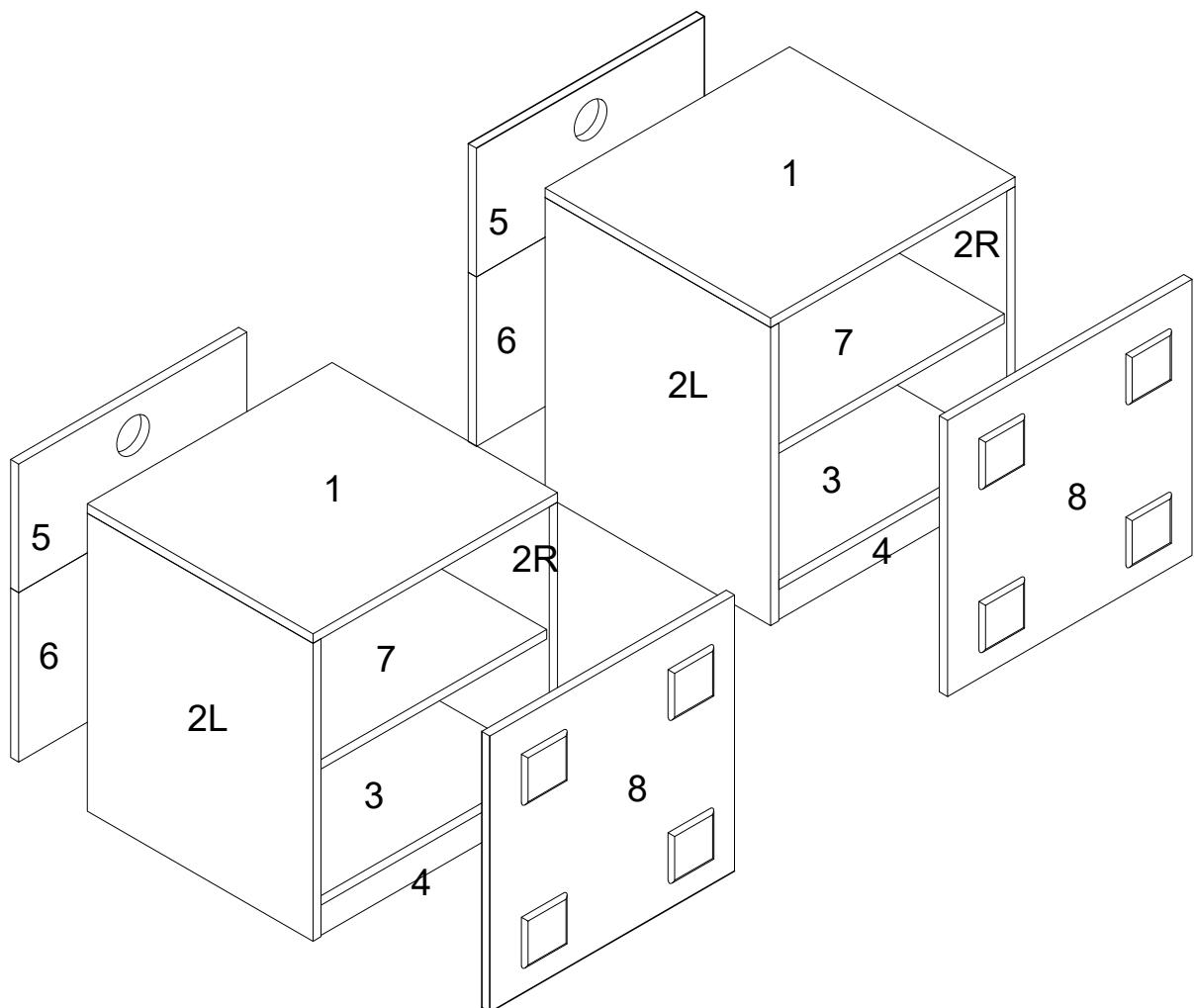
No. H
Quantity:1 Set
Anti-falling Parts



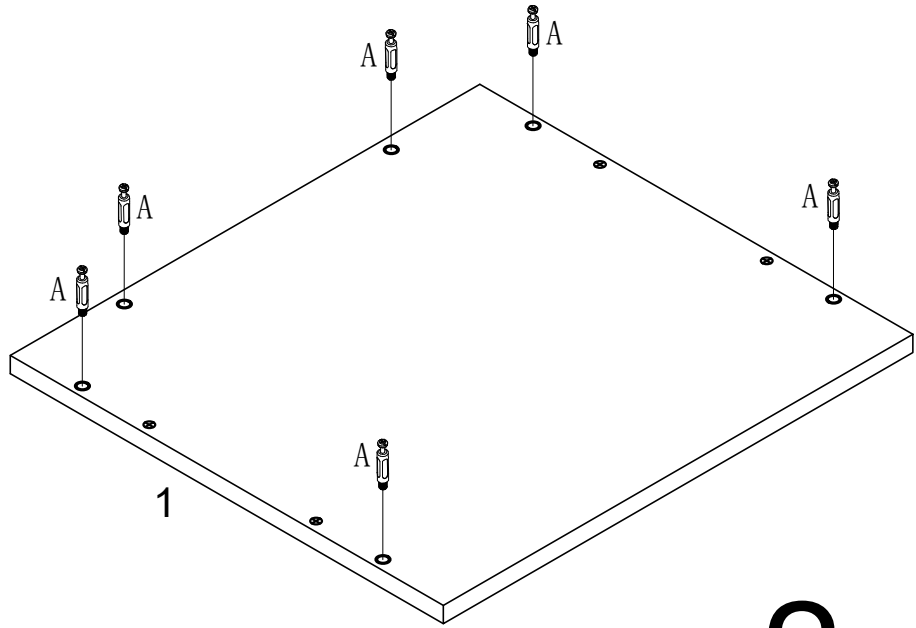
Component Panels & part List

Please check you have all the panels are listed below.

1. TOP PANEL ————— x2
- 2L. SIDE PANEL_LEFT ————— x2
- 2R. SIDE PANEL_RIGHT ————— x2
3. BOTTOM PANEL ————— x2
4. FRONT BRACE ————— x2
5. BACK PANEL ————— x2
6. BACK PANEL ————— x2
7. SHELF ————— x2
8. DOOR PANEL ————— x2



STEP 1

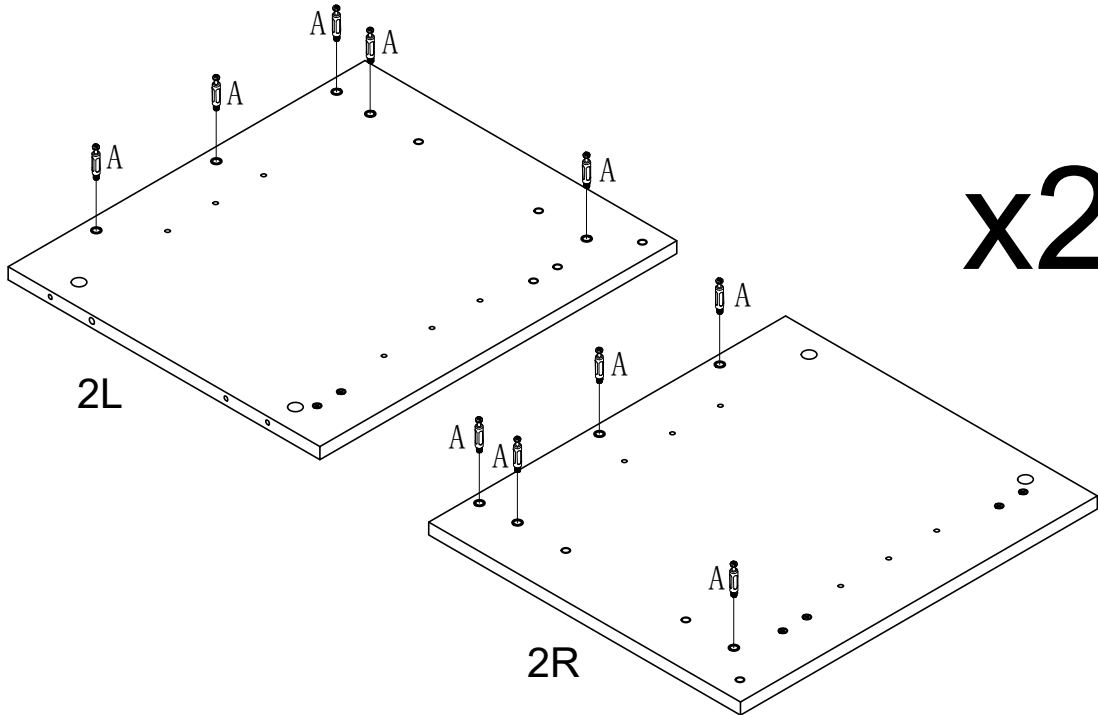


x2

No. A
Quantity: 12 Pcs
Cam Lock Dowel
8*28 mm



STEP 2

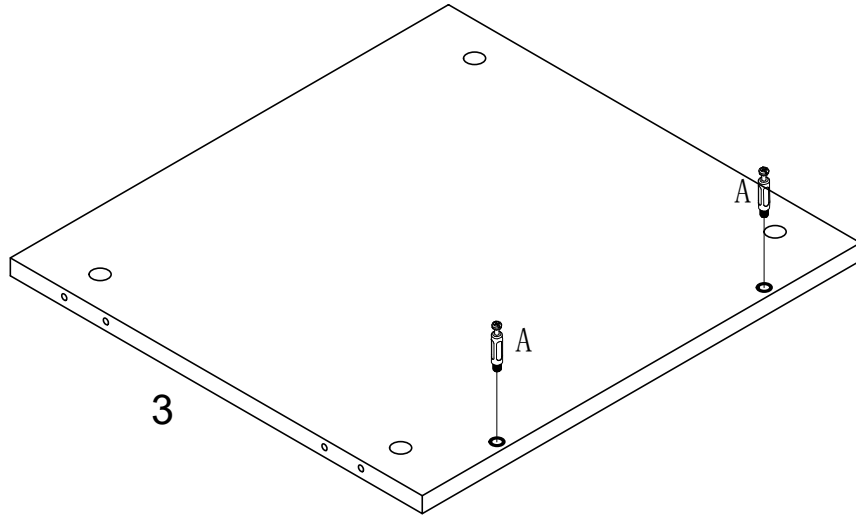


x2

No. A
Quantity: 20 Pcs
Cam Lock Dowel
8*28 mm



STEP 3



x2

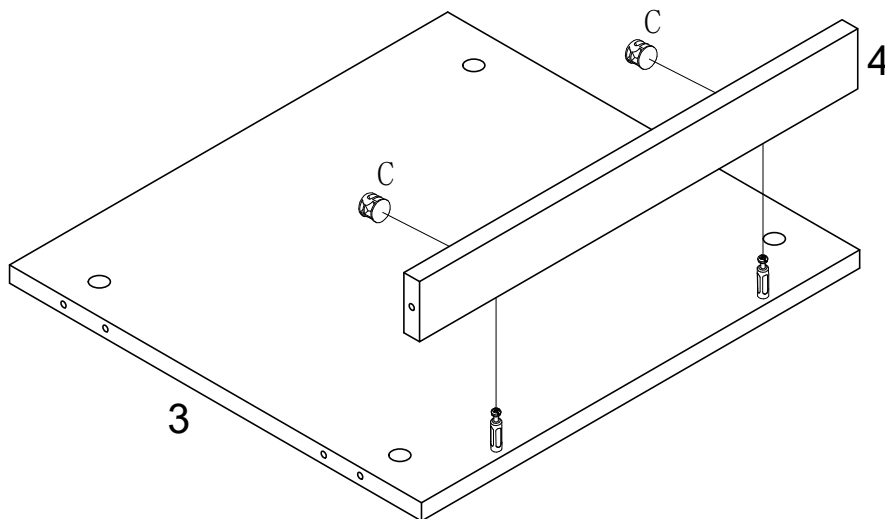
No. A

Quantity: 4 Pcs

Cam Lock Dowel
8*28 mm



STEP 4



x2

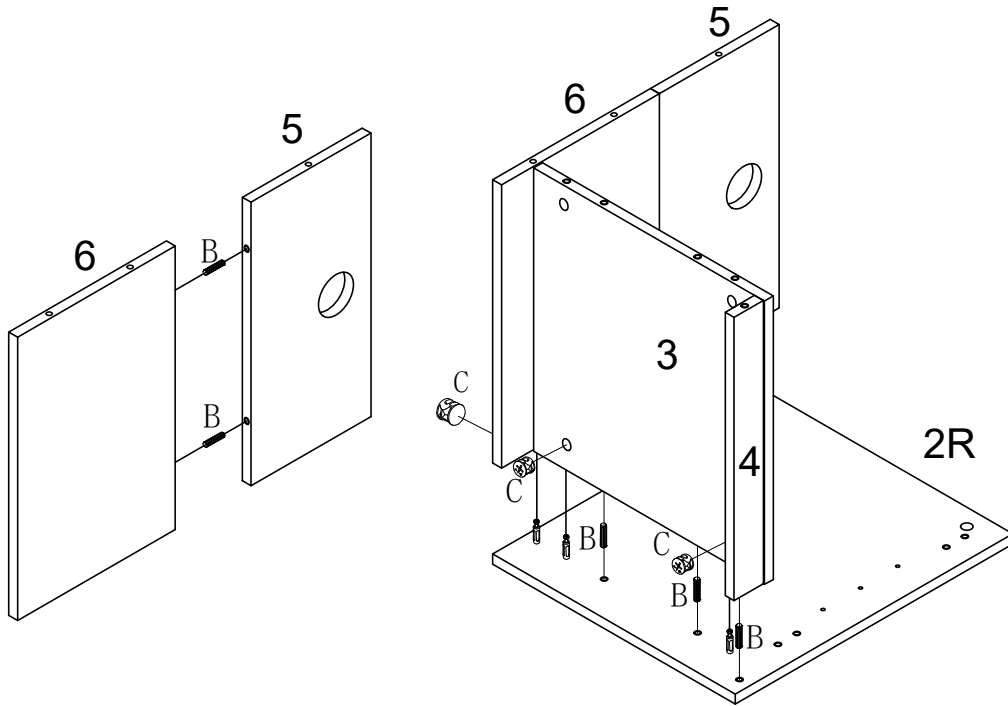
No. C

Quantity: 4 Pcs

Cam Lock
φ15mm



STEP 5



x2

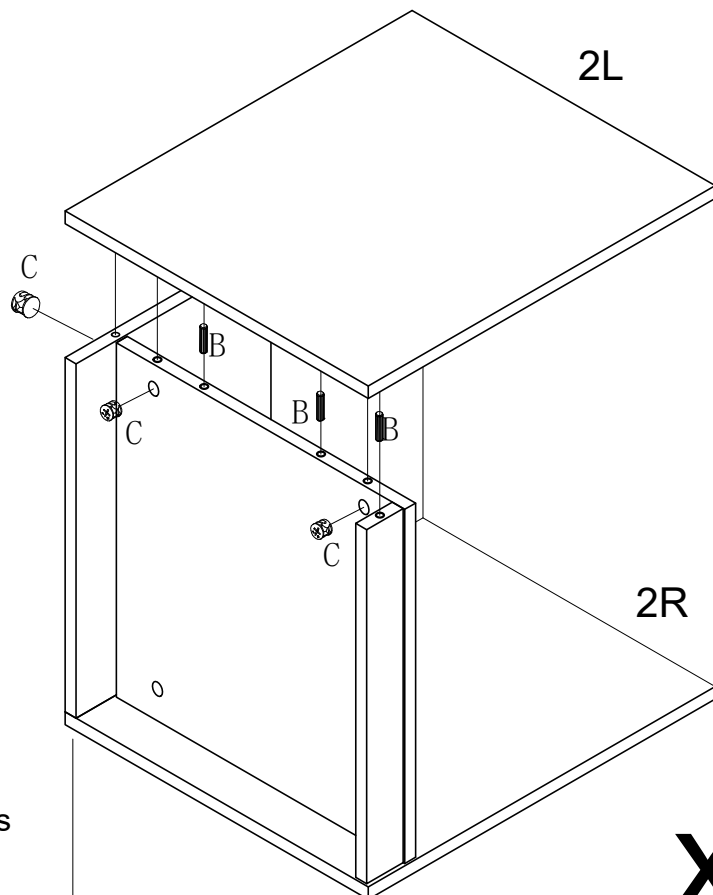
No. C
Quantity: 10 Pcs
Cam Lock
φ15mm



No. B
Quantity: 10 Pcs
Dowel
8*30mm



STEP 6



x2

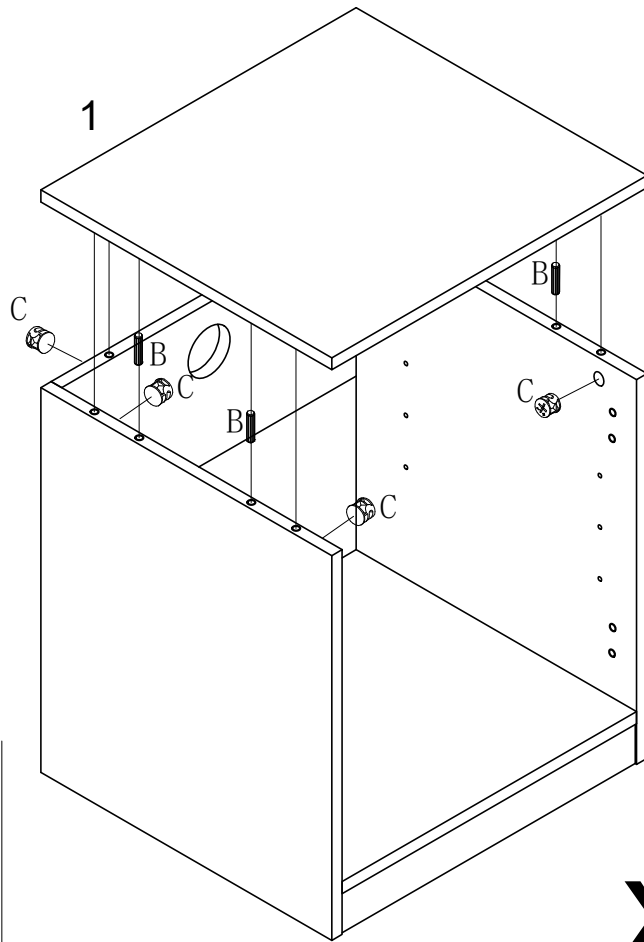
No. C
Quantity: 10 Pcs
Cam Lock
φ15mm



No. B
Quantity: 6 Pcs
Dowel
8*30mm



STEP 7



No. C
Quantity: 12 Pcs
Cam Lock
φ15mm

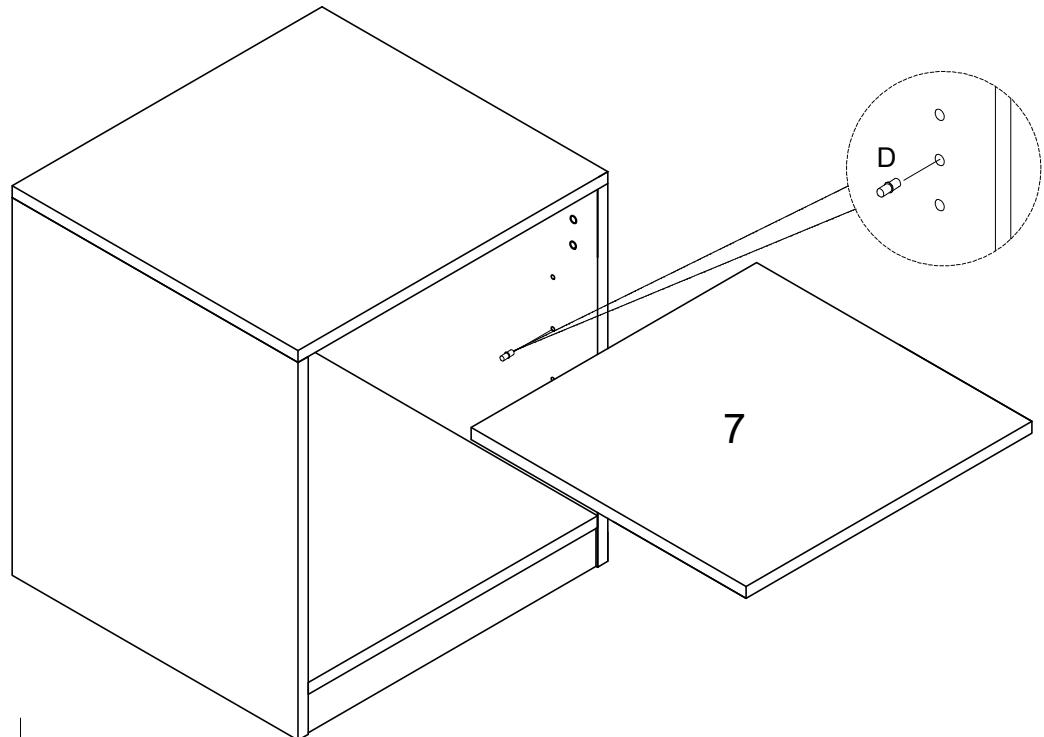


No. B
Quantity: 8 Pcs
Dowel
8*30mm



x2

STEP 8

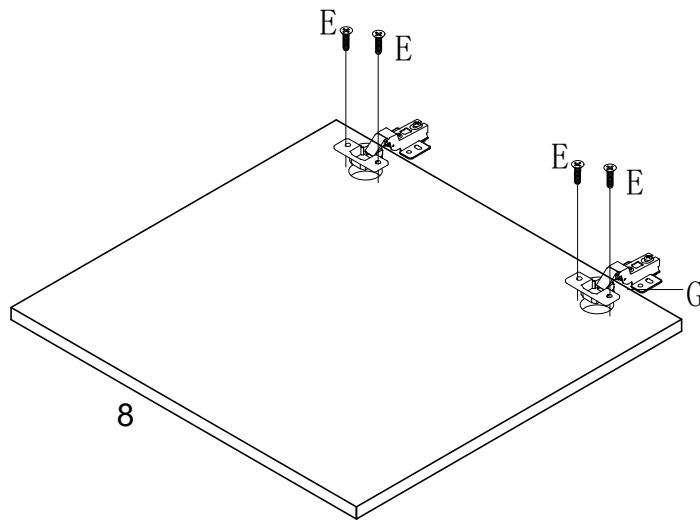


No. D
Quantity: 8 Pcs
Shelf Support



x2

STEP 9

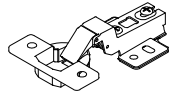


x2

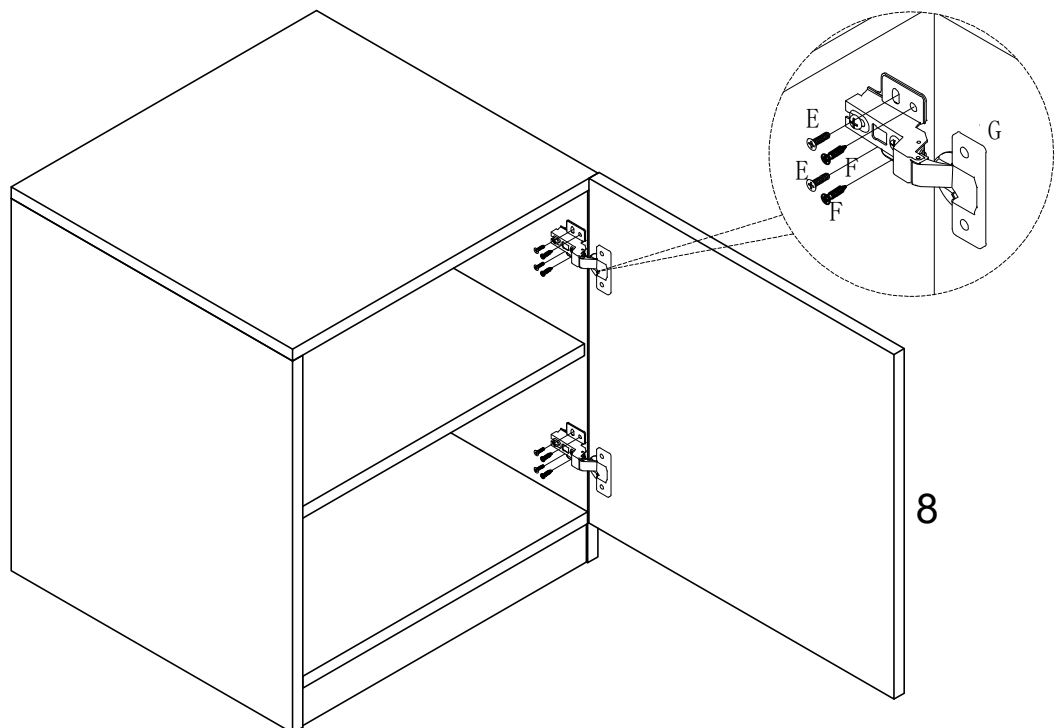
No. E
Quantity:8 Pcs
Screw
4*14mm



No.G
Quantity:4 Pcs
Hinge



STEP 10



No. F
Quantity:8 Pcs
Screw
4*14mm



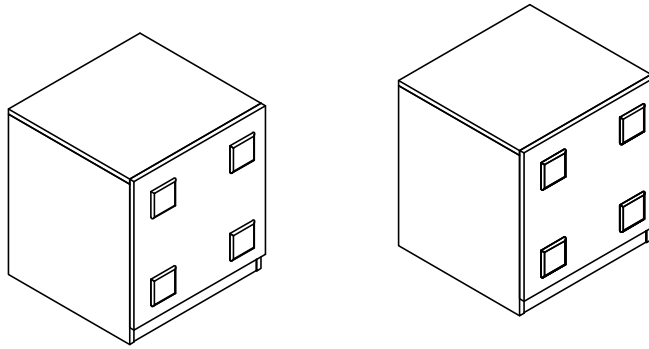
No. E
Quantity:8 Pcs
Screw
4*16mm



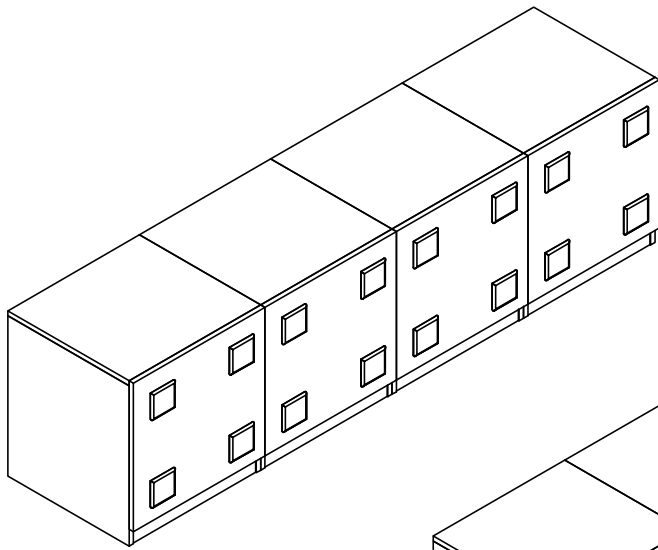
x2

STEP 11

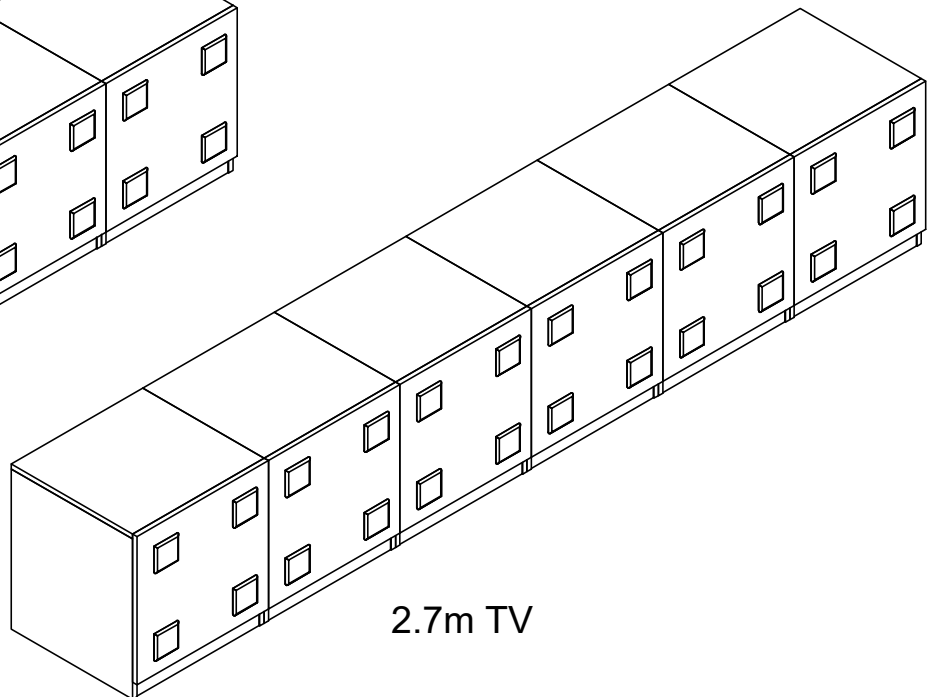
Different Combinations to create Lively Home



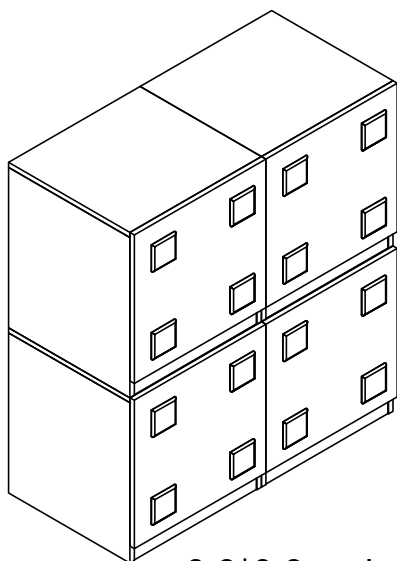
2 bedside tables



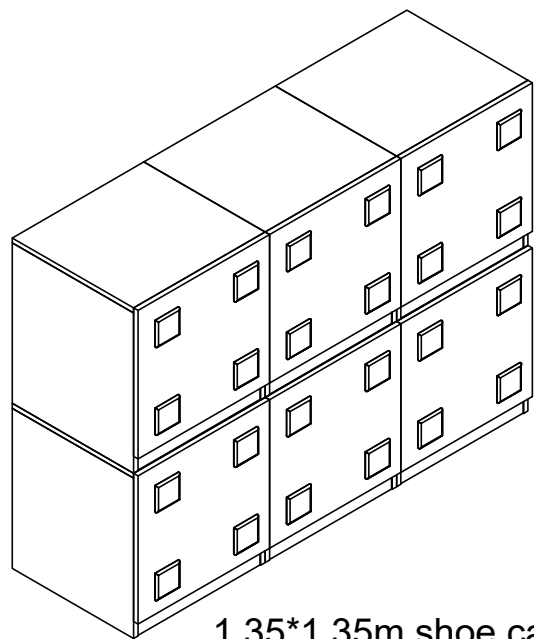
1.8m TV



2.7m TV

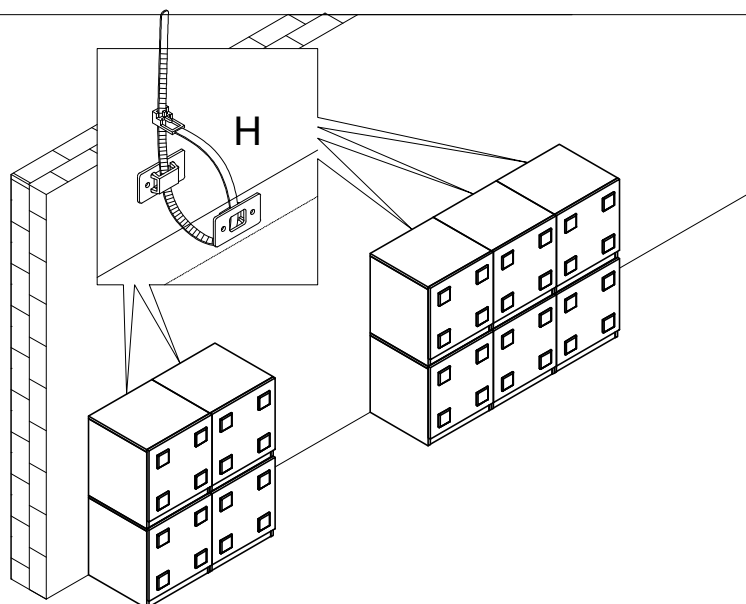
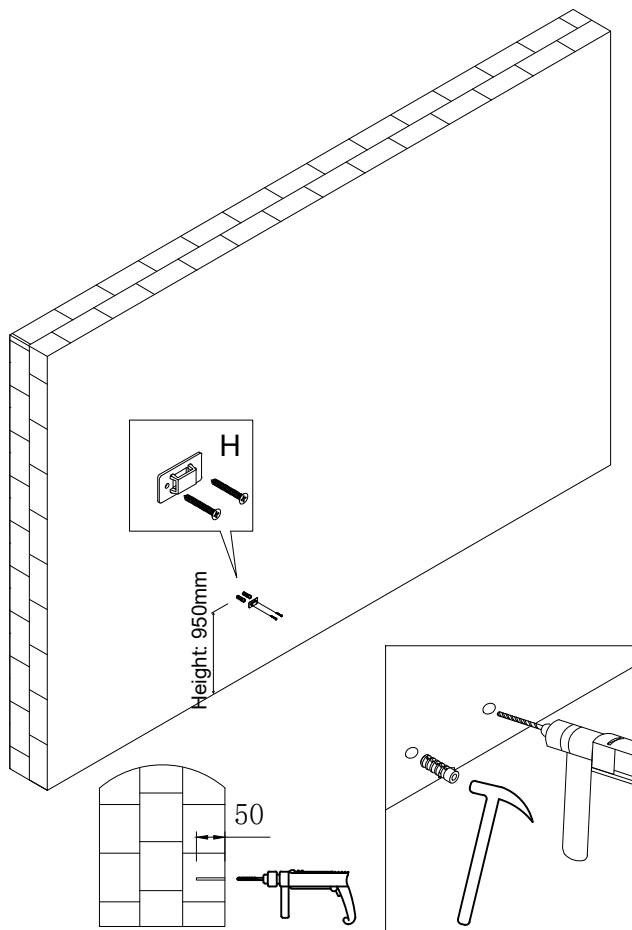


0.9*0.9m shoe cabinet



1.35*1.35m shoe cabinet

STEP 12



No. H
Quantity:1 Set
Anti-falling Parts



TOPPLING FURNITURE WARNING:

- It is strongly recommended that this product is permanently fixed to the wall.
- Please seek professional advice if you are in doubt of what fixing device to use.
- Regularly check that anchors are securely maintained.
- Stability of tall items may be affected by thick pile carpet or uneven floors .
- Do not place unanchored televisions on furniture .

CAUTION: for your safety when attaching the anchor fixings, please note the following:

- Check any electrical wires or plumbing inside the wall before drilling any holes (if you are unsure please seek professional advice from a qualified tradesperson).



WARNING: PLEASE SECURE YOUR FURNITURE WITH THE SUPPLIED WALL FIXING. SCAN THE CODE FOR MORE INFORMATION.



lifely.com.au

Great job. You're done!

Don't forget to share how it looks in
your space and tag us on Instagram.
[@lifelyhome](#)[#homewithlifely!](#)