



# SHIELDER LED FLOODLIGHT WITH SENSOR



- 240V/50Hz
- 2X 10W 2100LM
- 4200K COLOUR TEMP.
- IP54 WEATHER RESISTANT
- PIR SENSOR
- CLASS II (2)
- 3YR WARRANTY

**Improve your home security and safety with this Shilder sensor floodlight which turns on when movement is detected. The discreet and durable double floodlights can be easily adjusted to direct light where it is needed.**

- Modern design that can be installed both on the wall and on the ceiling under the eaves.
- Durable UV stabilised polycarbonate offering you a rust free solution that is ideal for coastal environments.
- Provides an even and bright illumination over a wide area
- Latest in ultra-bright LED technology
- Advanced PIR motion sensing.
- Sensor range of 150 degrees x 2 metres
- IP54 weather resistant for outdoor installation
- Light up the right area using the fully adjustable heads.

## APPLICATIONS

- Great for entrances, patios, gardens, exteriors walls and for lighting up walkways and large areas.
- Suitable for residential and commercial applications





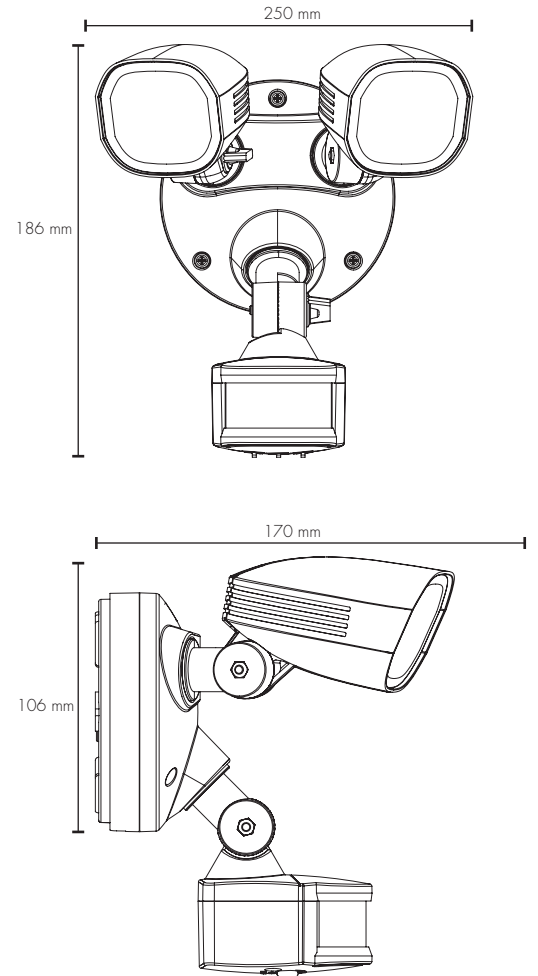
# SHIELDER LED FLOODLIGHT WITH SENSOR





## TECHNICAL SPECIFICATIONS

<b>Operating voltage:</b>	240V / 50Hz
<b>Class:</b>	Class II (2)
<b>Wattage:</b>	2 x 10W
<b>Lumens:</b>	2100 lm
<b>Colour Temperature:</b>	4200K
<b>Light adjustable:</b>	No
<b>Dimming:</b>	No
<b>Motion Detection:</b>	Advanced PIR motion sensing
<b>Operation Modes:</b>	Auto-Override
<b>PIR Range:</b>	12 metres x 150 degrees
<b>Light Time On:</b>	10 sec to 5 min.
<b>Lux Sensitivity:</b>	5 ~ 2000lx
<b>Construction:</b>	UV stabilised polycarbonate
<b>Ingress protection:</b>	IP54 rated
<b>Warranty:</b>	3 year replacement
<b>Standards:</b>	

## INSTALLATION

Must be installed by a licensed electrician



	MODEL	COLOUR	DESCRIPTION	BOX SIZE	GROSS WEIGHT	BOX QTY	BARCODE/TUN
<b>RETAIL BOX</b>	20784/05	White	Shielder LED 2 Light Floodlight with Sensor	W135 x H150 x D190 mm	0.68 kg	1 pc	 9 312641 207856 >
<b>OUTER CTN</b>	20784/05	White	Shielder LED 2 Light Floodlight with Sensor	W285 x H320 x D400mm	5.44 kg	8 pc	 19312641207853
<b>RETAIL BOX</b>	20784/06	Black	Shielder LED 2 Light Floodlight with Sensor	W135 x H150 x D190 mm	0.68 kg	1 pc	 9 312641 207849 >
<b>OUTER CTN</b>	20784/06	Black	Shielder LED 2 Light Floodlight with Sensor	W285 x H320 x D400 mm	5.44 kg	8 pc	 19312641207846