



SHIELDER LED FLOODLIGHT WITH SENSOR



- 240V/50Hz
- 2X 10W 2100LM
- 4200K COLOUR TEMP.
- IP54 WEATHER RESISTANT
- PIR SENSOR
- CLASS II (2)
- 3YR WARRANTY

Improve your home security and safety with this Shilder sensor floodlight which turns on when movement is detected. The discreet and durable double floodlights can be easily adjusted to direct light where it is needed.

- Modern design that can be installed both on the wall and on the ceiling under the eaves.
- Durable UV stabilised polycarbonate offering you a rust free solution that is ideal for coastal environments.
- Provides an even and bright illumination over a wide area
- Latest in ultra-bright LED technology
- Advanced PIR motion sensing.
- Sensor range of 150 degrees x 2 metres
- IP54 weather resistant for outdoor installation
- Light up the right area using the fully adjustable heads.

APPLICATIONS

- Great for entrances, patios, gardens, exteriors walls and for lighting up walkways and large areas.
- Suitable for residential and commercial applications





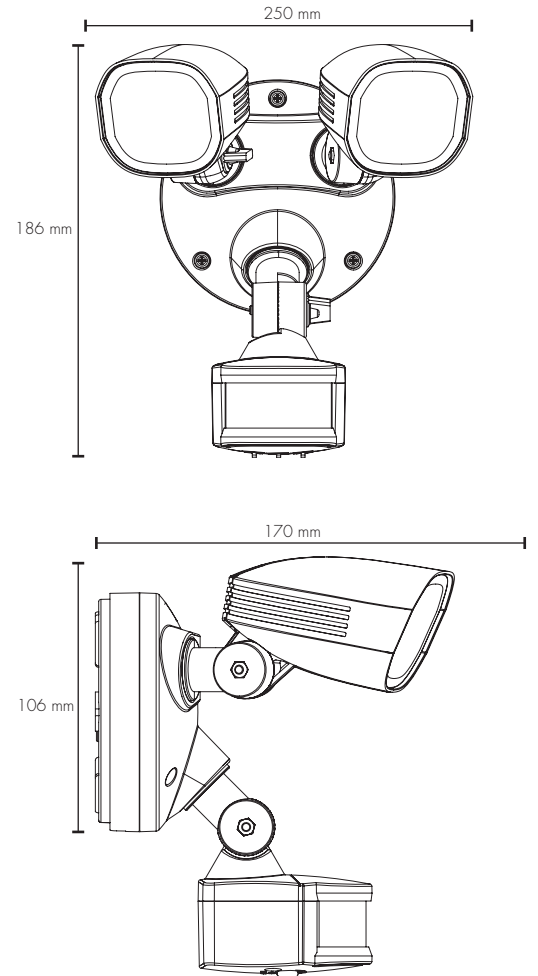
SHIELDER LED FLOODLIGHT WITH SENSOR





TECHNICAL SPECIFICATIONS

Operating voltage:	240V / 50Hz
Class:	Class II (2)
Wattage:	2 x 10W
Lumens:	2100 lm
Colour Temperature:	4200K
Light adjustable:	No
Dimming:	No
Motion Detection:	Advanced PIR motion sensing
Operation Modes:	Auto-Override
PIR Range:	12 metres x 150 degrees
Light Time On:	10 sec to 5 min.
Lux Sensitivity:	5 ~ 2000lx
Construction:	UV stabilised polycarbonate
Ingress protection:	IP54 rated
Warranty:	3 year replacement
Standards:	

INSTALLATION

Must be installed by a licensed electrician



	MODEL	COLOUR	DESCRIPTION	BOX SIZE	GROSS WEIGHT	BOX QTY	BARCODE/TUN
RETAIL BOX	20784/05	White	Shielder LED 2 Light Floodlight with Sensor	W135 x H150 x D190 mm	0.68 kg	1 pc	 9 312641 207856 >
OUTER CTN	20784/05	White	Shielder LED 2 Light Floodlight with Sensor	W285 x H320 x D400mm	5.44 kg	8 pc	 19312641207853
RETAIL BOX	20784/06	Black	Shielder LED 2 Light Floodlight with Sensor	W135 x H150 x D190 mm	0.68 kg	1 pc	 9 312641 207849 >
OUTER CTN	20784/06	Black	Shielder LED 2 Light Floodlight with Sensor	W285 x H320 x D400 mm	5.44 kg	8 pc	 19312641207846