



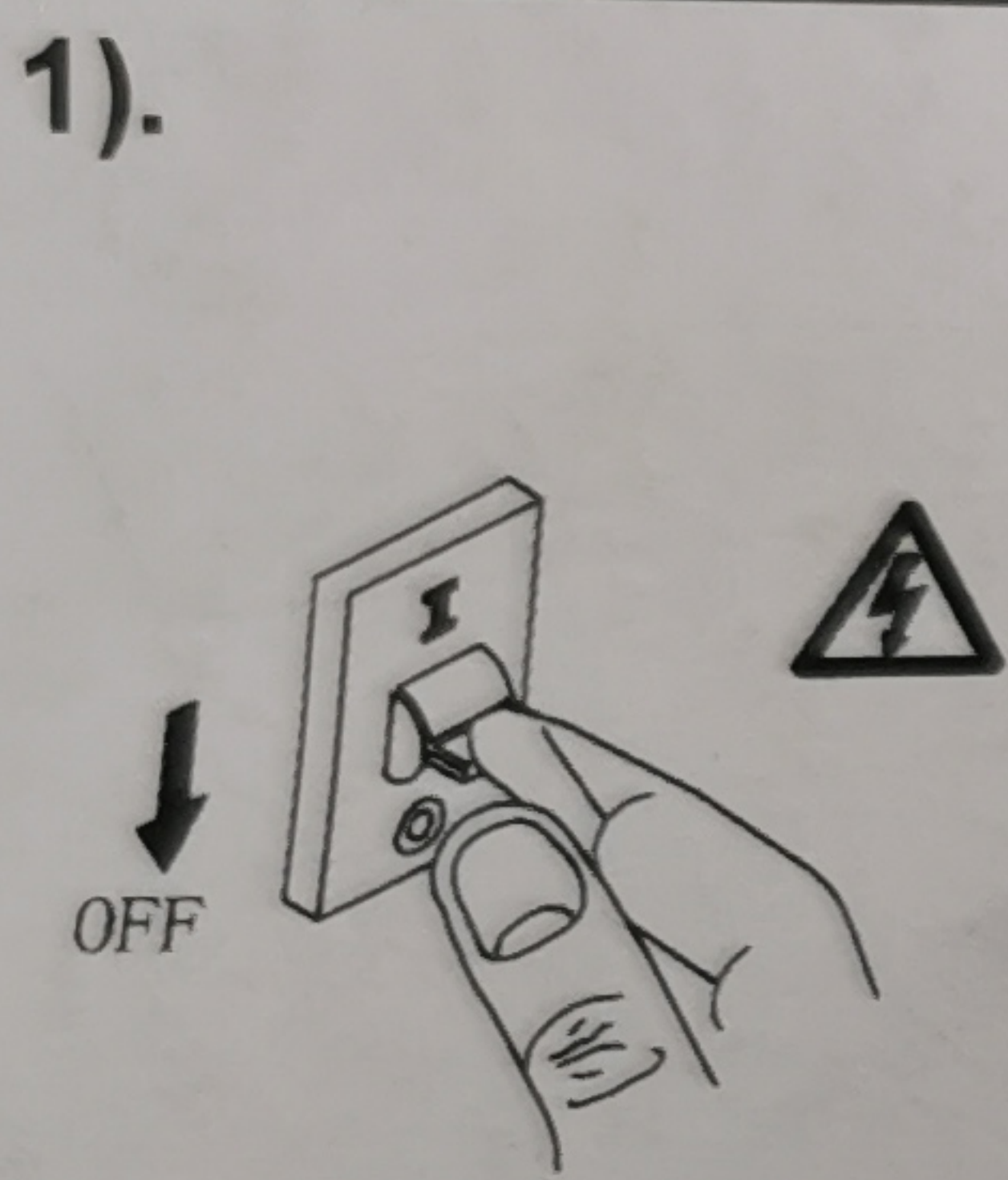
SHIELDER Single Floodlight			
Model No.:	20788	/05	/06
Wattage:	1 x 10W	White	Black

Before first using your new Brilliant floodlight it is most important that you read and follow these instructions, even if you feel you are quite familiar with this type of product. Keep this document handy for future reference.

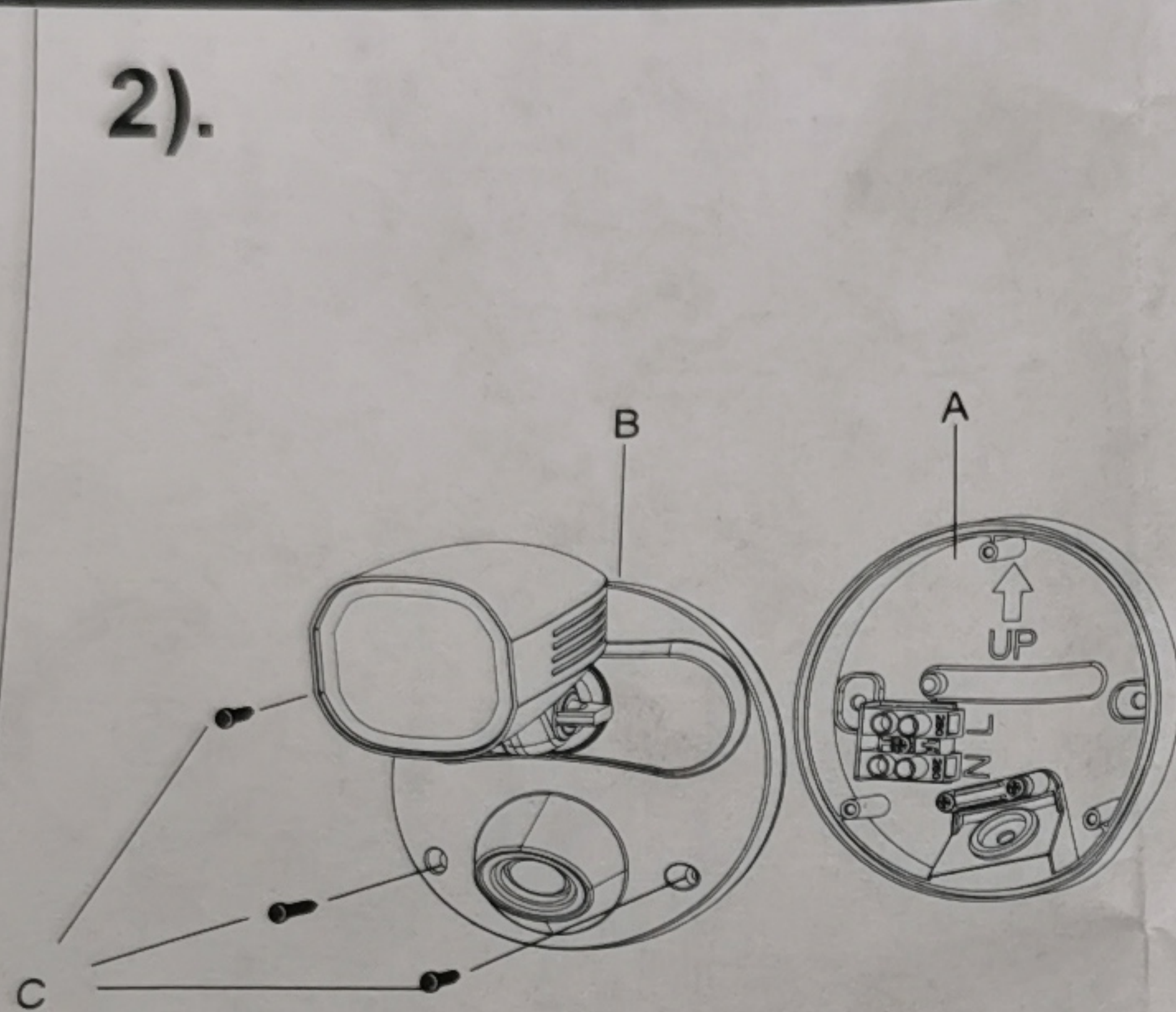
Installation Instructions

THIS FITTING MUST BE INSTALLED BY A QUALIFIED ELECTRICAL CONTRACTOR in accordance with the latest AS/NZS 3000 and relevant amendments

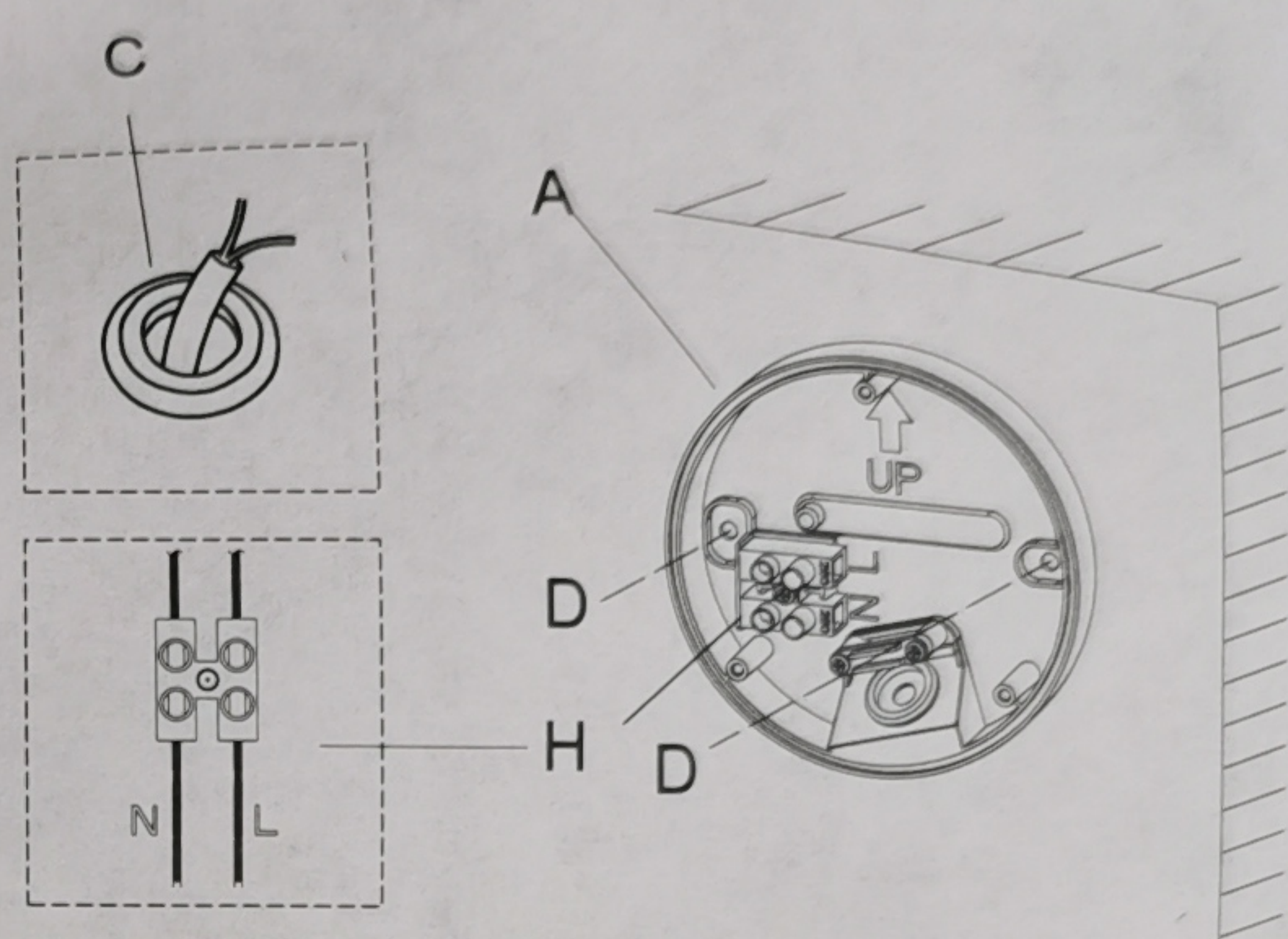
WARNING: Ensure the POWER is switched OFF at the mains before commencing installation!



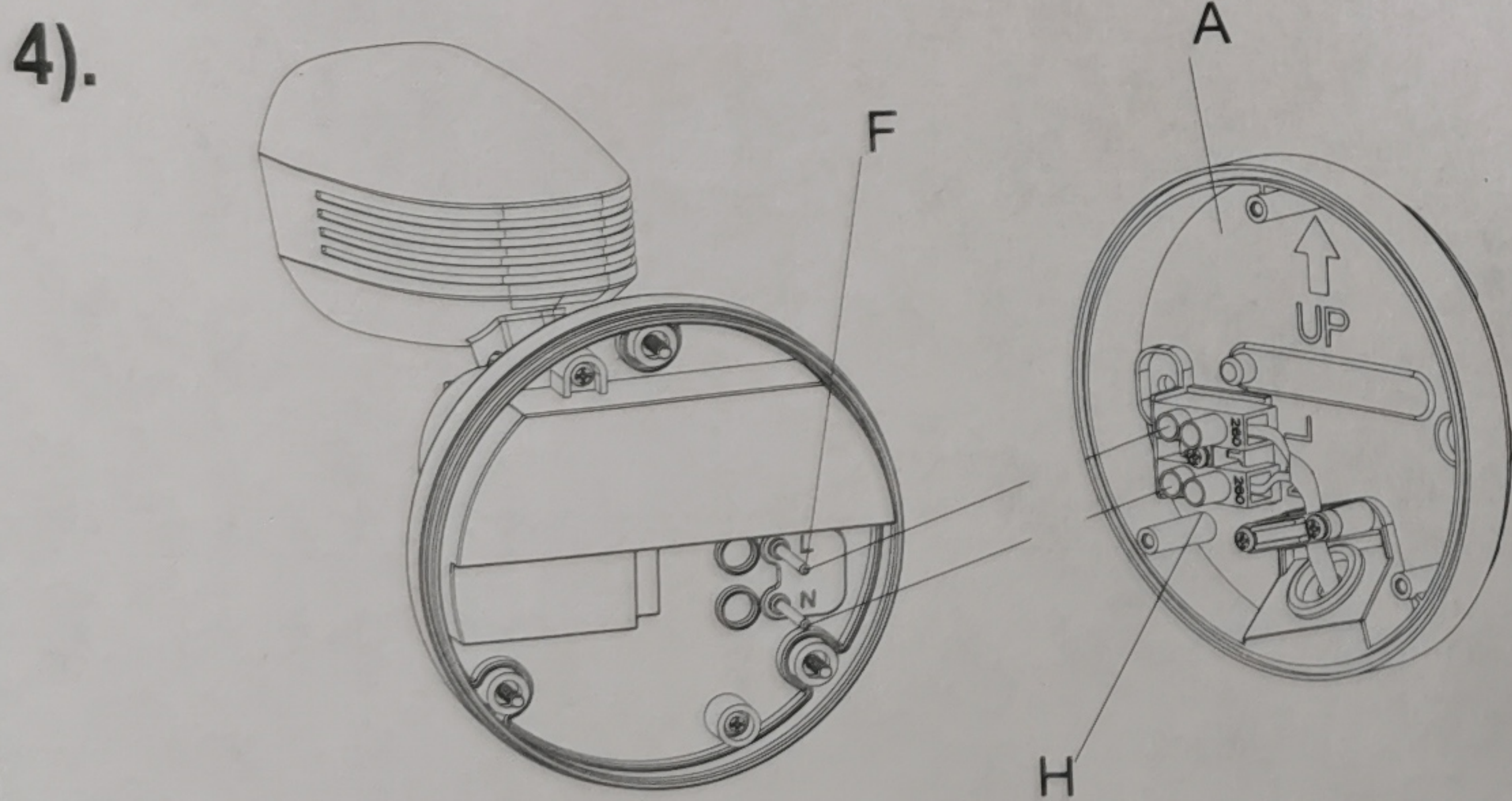
Turn power OFF



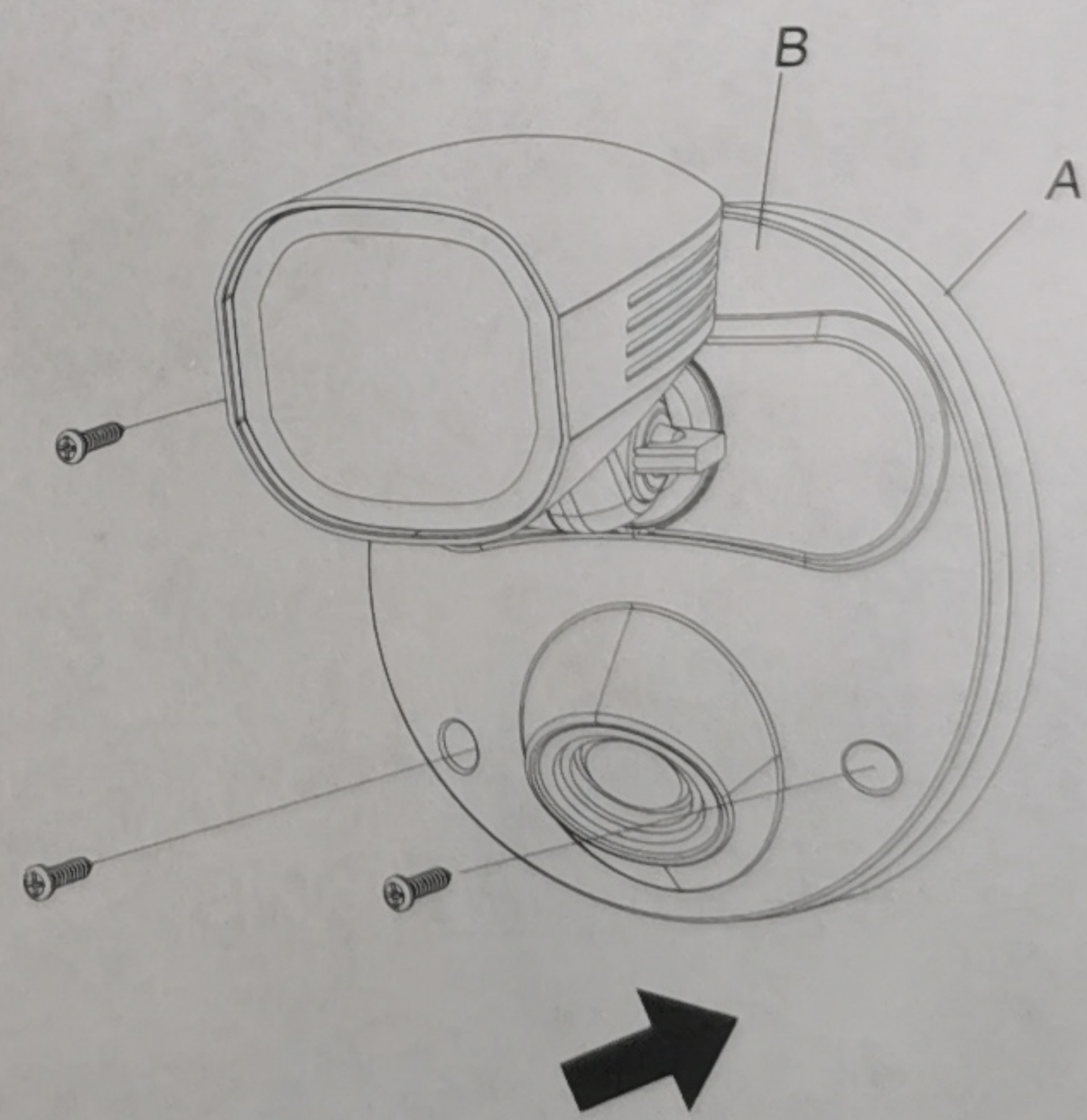
Remove mounting base 'A' from the fitting 'B' by removing front screws 'C'.



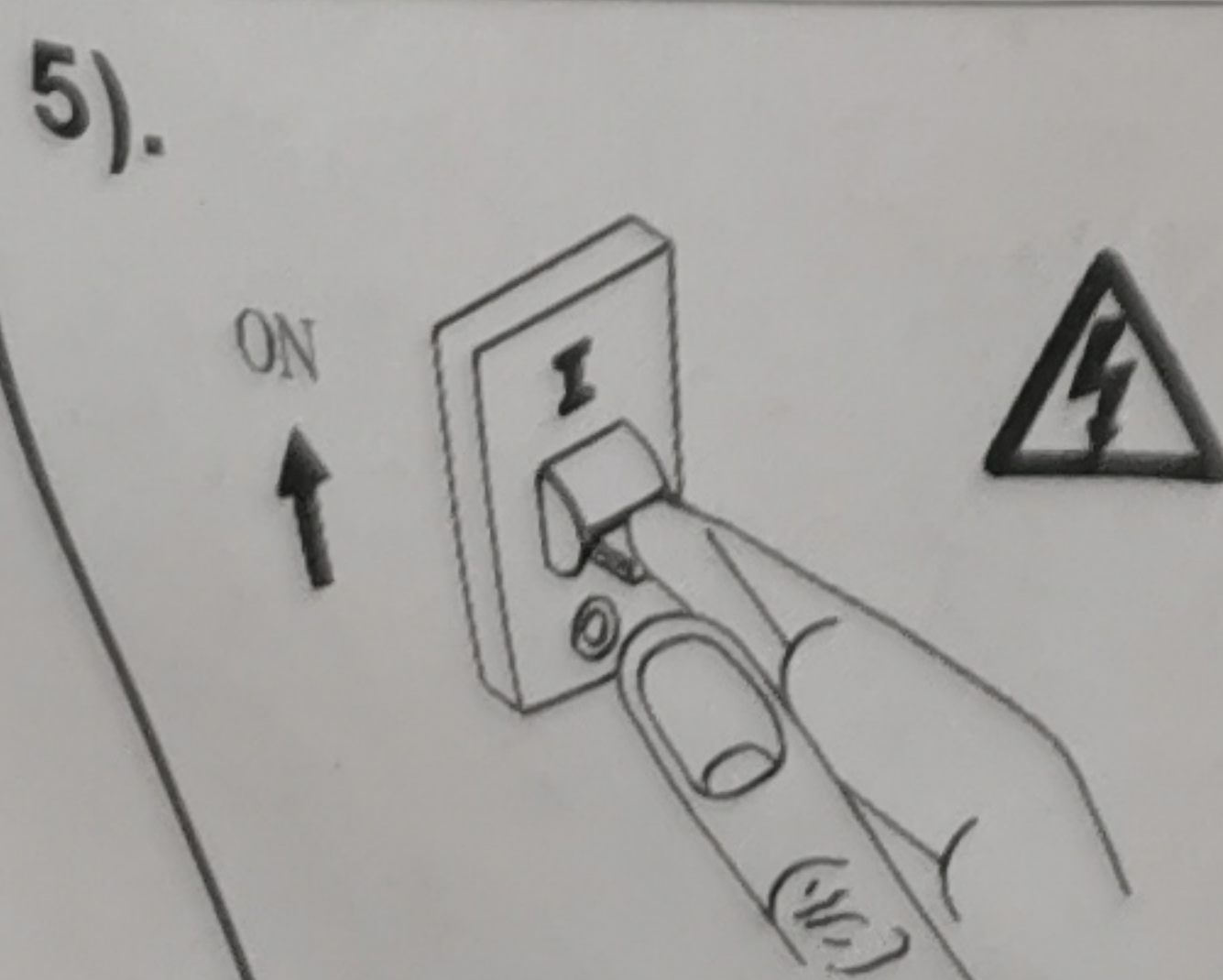
Run your power cable through grommet 'C'. Install mounting base 'A' on the wall facing UP with 2 x screws 'D'. Connect your mains cable to Terminal Block 'H': L- Active, N- Neutral. Ensure connection is firm.



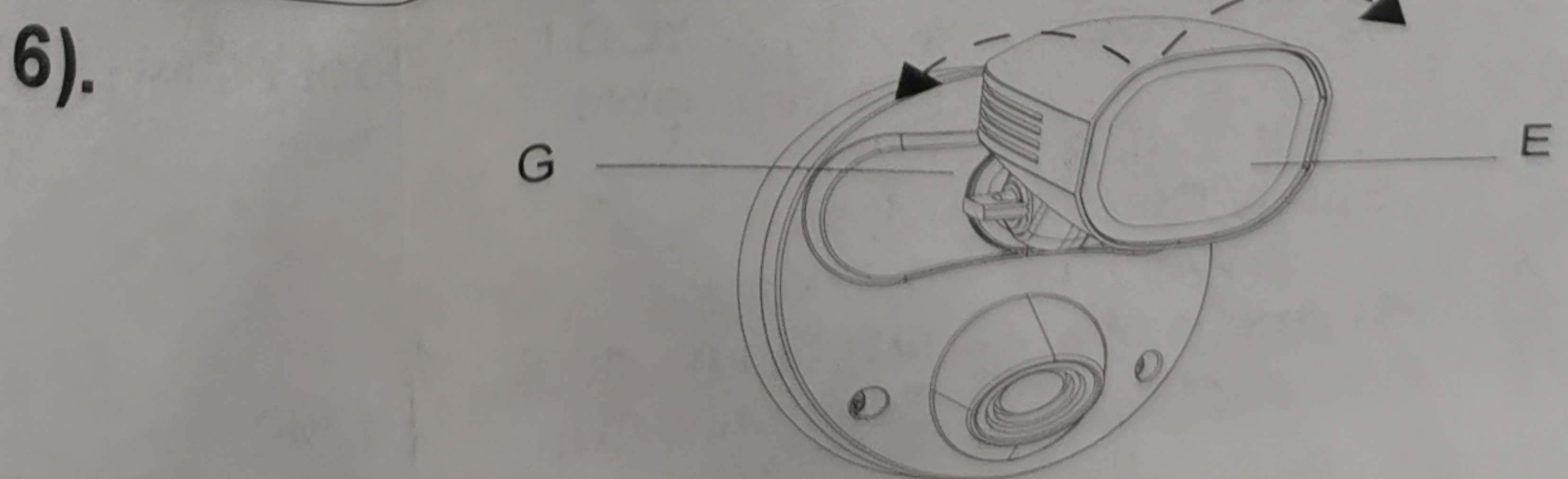
Slide fitting body 'B' on the mounting base 'A', ensuring connection PINS 'F' align with connection points on Terminal Block 'H'.



Secure body 'B' onto mounting base 'A' with 3x screws removed earlier.



Turn power 'ON'.



Adjust light head 'E' into desired position and tighten wing nuts 'G' on the knuckle.