



# BOTANIC 9W LED GARDEN SPOTLIGHT



Quick and easy installation.  
Plug in and light up.



<b>DIY</b>	<b>12V DC</b>	<b>9W</b> 420LM	<b>3000K</b> WARM WHITE	<b>9W</b> RGB	<b>TUNEABLE RGB</b>	<b>DIMMING</b>	<b>IP68</b> WEATHER RESISTANT	<b>2YR</b> WARRANTY
------------	---------------	--------------------	----------------------------	------------------	---------------------	----------------	----------------------------------	------------------------

21634      21635

Set the right ambiance with Botanic garden spotlights. Play with millions colours or a simple warm white light to create the effect you want. Highlight objects, trees or pathways to make your space stand out.

Connect your Botanic to a BrilliantSmart Garden Light Controller and start discovering the endless possibilities. Control your lights from your smartphone or tablet via the BrilliantSmart app. Set timers, notifications, alarms, and more.

Adjustable head allows 90° Tilt

IP68 weather resistant rating for outdoor use

Ideal for enhancing ambience in your garden or pond

Durable diecast aluminium housing with tempered glass lens

Easy DIY installation using quick connectors and 1.8m cable

9W integrated LED light source

Works with BrilliantSmart Garden Light Controller

Must be used with suitable 12V DC LED driver (Sold separately, see overleaf)

## APPLICATIONS

- Perfect for lighting up trees, bushes and more.
- Suitable for residential and commercial applications





# BOTANIC 9W LED GARDEN SPOTLIGHT

## TECHNICAL SPECIFICATIONS

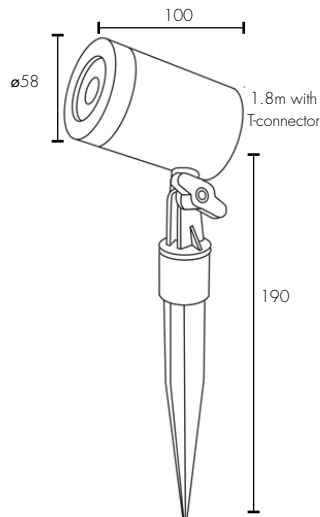
<b>Operating voltage:</b>	12V DC
<b>Class:</b>	Class III (3)
<b>Wattage:</b>	9W
<b>Light Type:</b>	LED
<b>Lumens:</b>	21634: 420 Total Lumens 21635: RGB
<b>Colour temperature</b>	21634: 3000K Warm White 21635: RGB
<b>Dimmable:</b>	Yes, via app
<b>Input:</b>	21634: 2-Pin (triangular slot) <i>Clip connector also supplied for install with 2-pin flat cable.</i> 21635: 4-Pin (large square slot)
<b>Construction:</b>	Diecast aluminium
<b>Ingress protection:</b>	IP68 rated
<b>Warranty:</b>	2 year replacement
<b>Standards:</b>	AS/NZS 60598.1





## INSTALLATION

Do-It-Yourself

## ACCESSORIES (sold separately)

15cm Extension Rod:	21639/06 black
Ground Base:	21640/06 black
2-Pin Flat Cable: (for 21634)	5m: 21638/06 10m: 19918/06,
4-Pin Round Cable: (for 21635)	2.5m 20704/06 5m: 21637/06
2-Way Splitter (Flat cable required)	19919/06
Transformers: (Flat cable required)	24W: 19915/06 36W: 19916/06 60W: 19917/06
Controllers: (Flat cable required)	Smart WiFi: 20701/06 Dusk-To-Dawn: 21636/06



	MODEL	COLOUR	DESCRIPTION	BOX SIZE	GROSS WEIGHT	BOX QTY	BARCODE/TUN
<b>RETAIL BOX</b>	21634/06	Black	Botanic 9W Warm White LED Garden Spotlight	W100 x H240 x D70 mm	0.48 kg	1 pc	 9 312641 216346 >
<b>OUTER CTN</b>	21634/06	Black	Botanic 9W Warm White LED Garden Spotlight	W320 x H300 x D300 mm	6.30 kg	12 pc	 19312641216343
<b>RETAIL BOX</b>	21635/06	Black	Botanic 9W RGB LED Garden Spotlight	W100 x H240 x D70 mm	0.59 kg	1 pc	 9 312641 216353 >
<b>OUTER CTN</b>	21635/06	Black	Botanic 9W RGB LED Garden Spotlight	W320 x H260 x D300 mm	7.60 kg	12 pc	 19312641216350