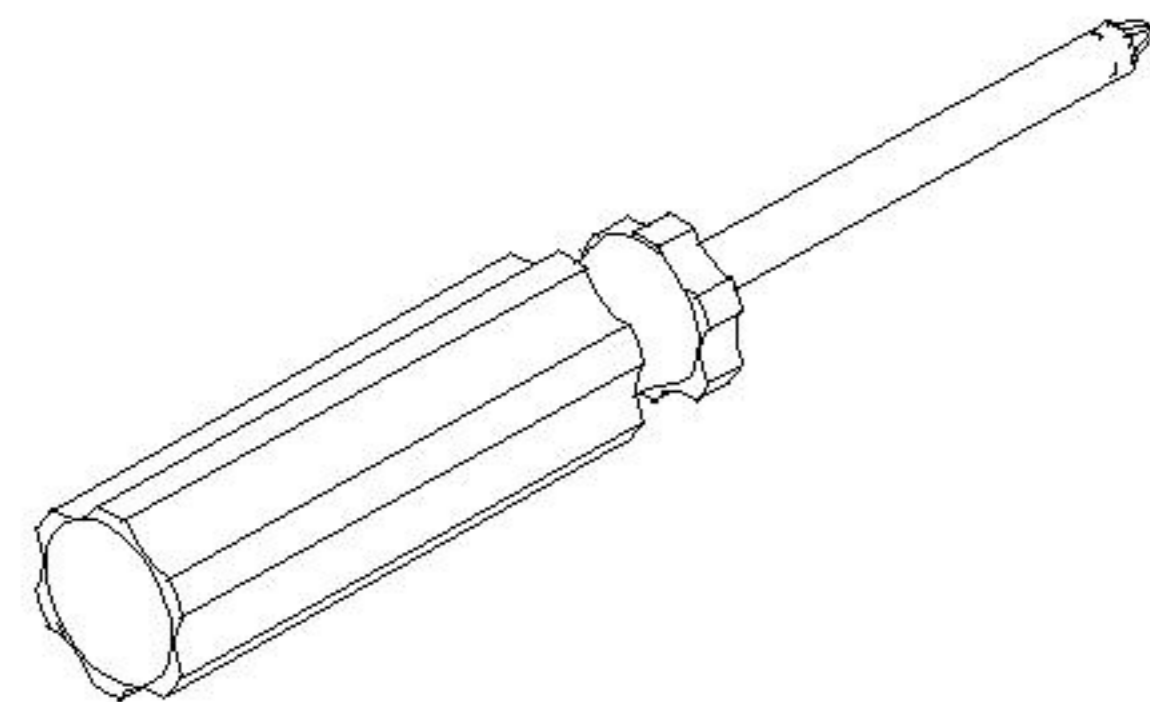
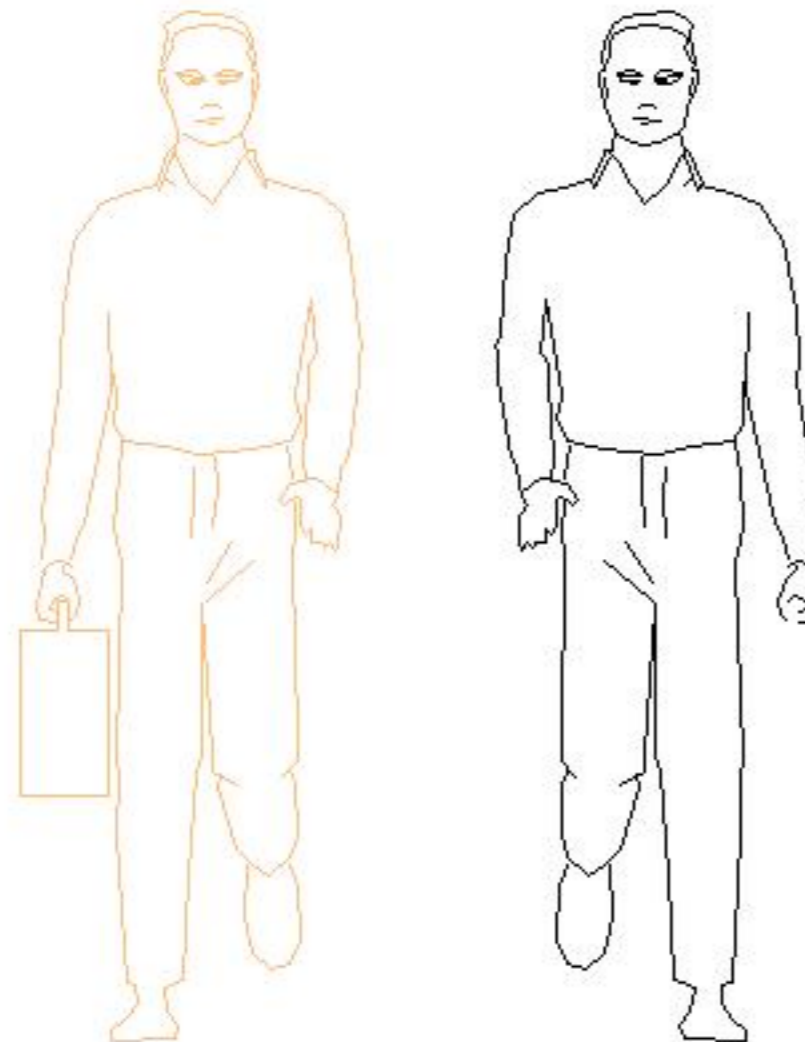
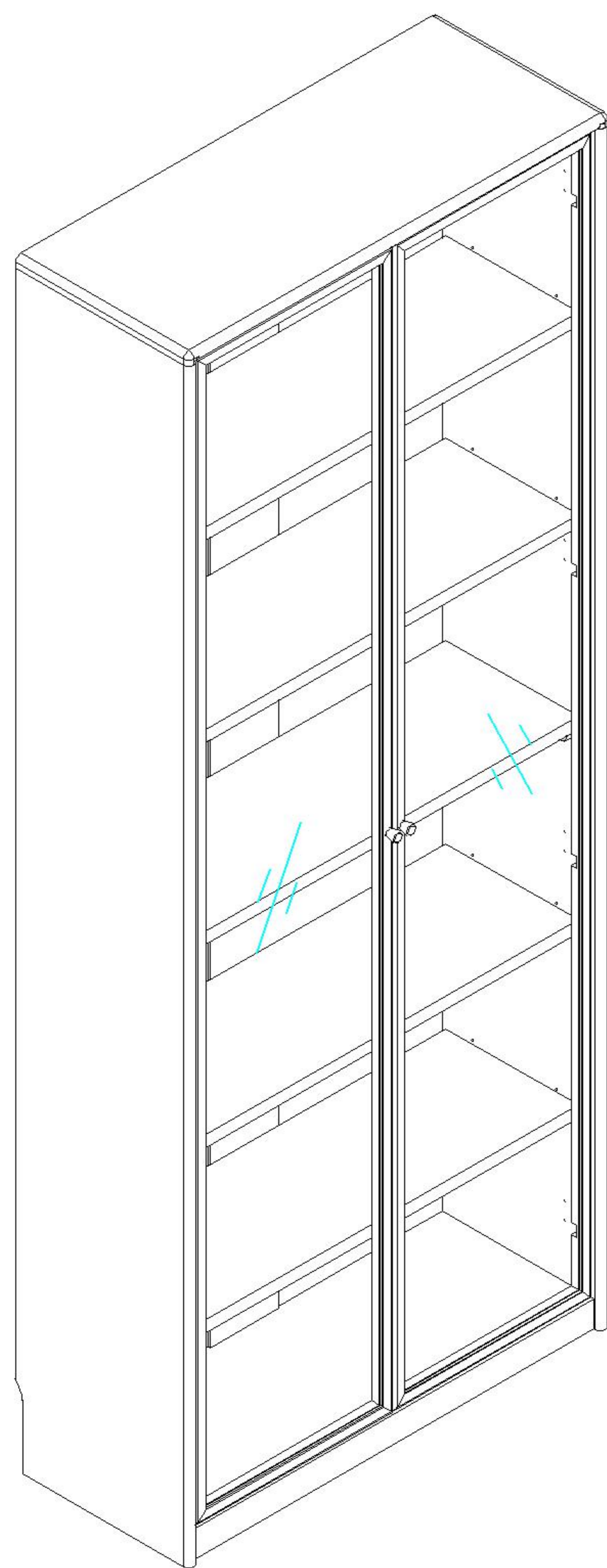


### 安装示意图/Assembly Instruction

产品名称 Model NO.	PK1X-A(0.8m)
产品规格 Specification	802*341*2001mm
安装工具 Tool	安装人数 Installer
	

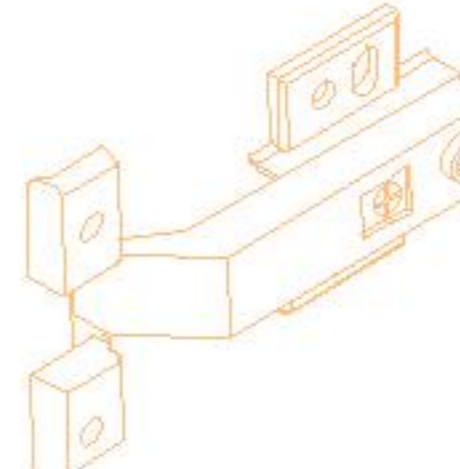


 (A)*6 二合一螺杆 2-in-1-screw	 (B)*6 大三合一锁饼 Three-in-one large lock	 (C)*6 木榫-∅8*30 Wood tenon	 (D)*16 层板托 Shelf support
 (E)*14 大扁白攻M4*30mm Flat head tapping screw	 (F)*13 垫片-M5 Shim	 (G)*2 拉手-铝合金黑色哑光 Handle	 (H)*2 拉手螺丝-M4x25mm Pulling screw
 (I)*13 背板扣 White buckle	 (J)*13 白攻螺丝M3.5*16mm Tapping screw	 (K)*2 家具防倒器-白色 Anti-fall device	 (L)*6 灰色毛毡垫 Foot pad

编号NO.	名称Name	规格 (mm) Specification	数量QTY	材质Material
①	面板 Top panel	802*330*18	1	实木 wood
②	底板 Bottom board	762*283*18	1	实木 wood
③	左侧板组立 Side board assembly(L)	1980*330*40	1	实木 wood
④	右侧板组立 Side board assembly(R)	1980*330*40	1	实木 wood
⑤	前拉条 Front brace	762*50*20	1	实木 wood
⑥	固定层板 Fixed shelf	762*260*18	1	实木 wood
⑦	活动层板 Movable shelf	761*260*18	4	实木 wood
⑧	背拉条 Back brace	1930*130*18	1	实木 wood
⑨	背板 Back board	1942*329*8	2	实木 wood
⑩	五金门 Hardware door	1924*377*21	2	铝合金+玻璃 aluminium alloy+Glass

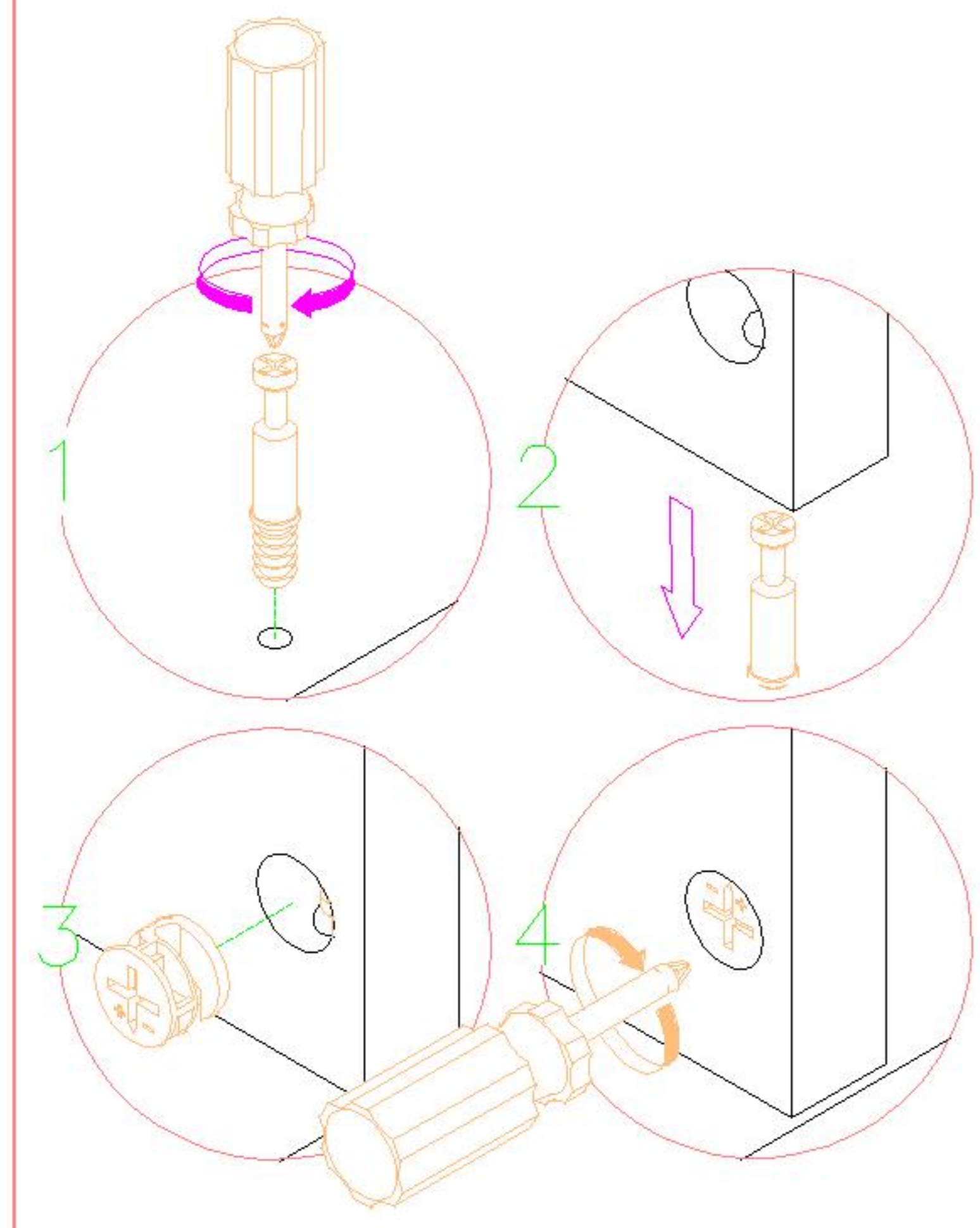
### 铝合金门框内自带五金

Aluminum alloy door frame with hardware

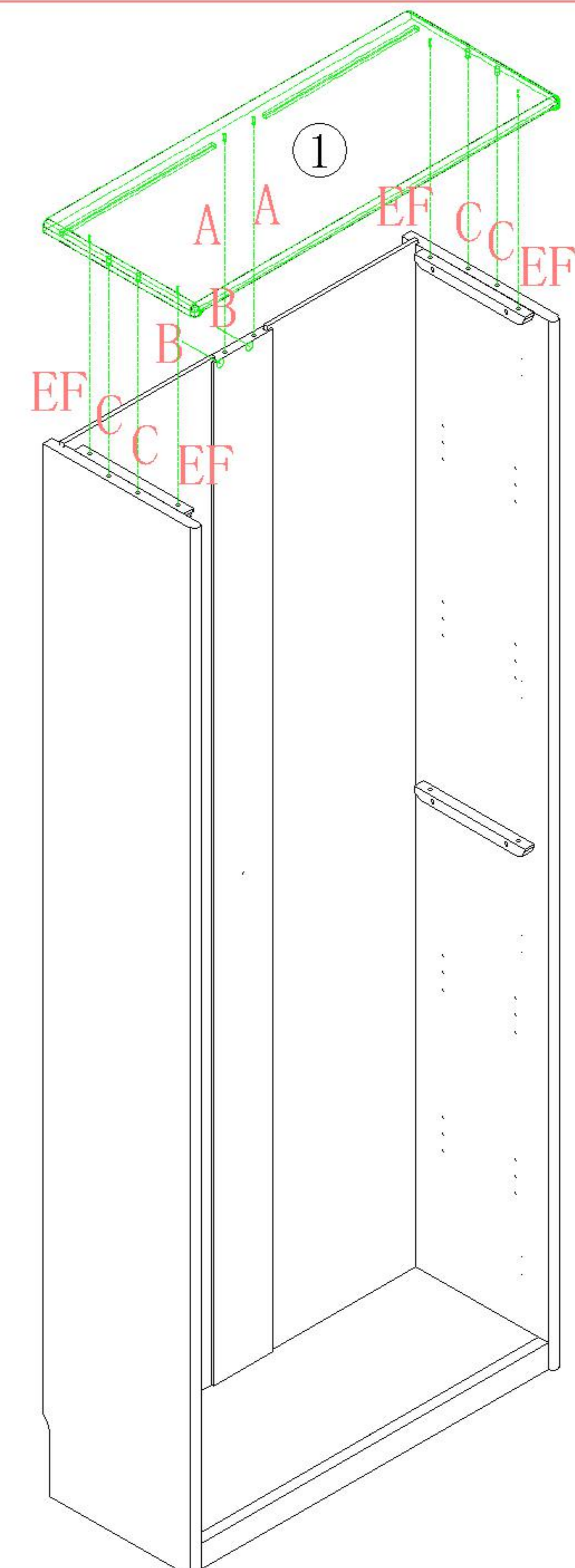
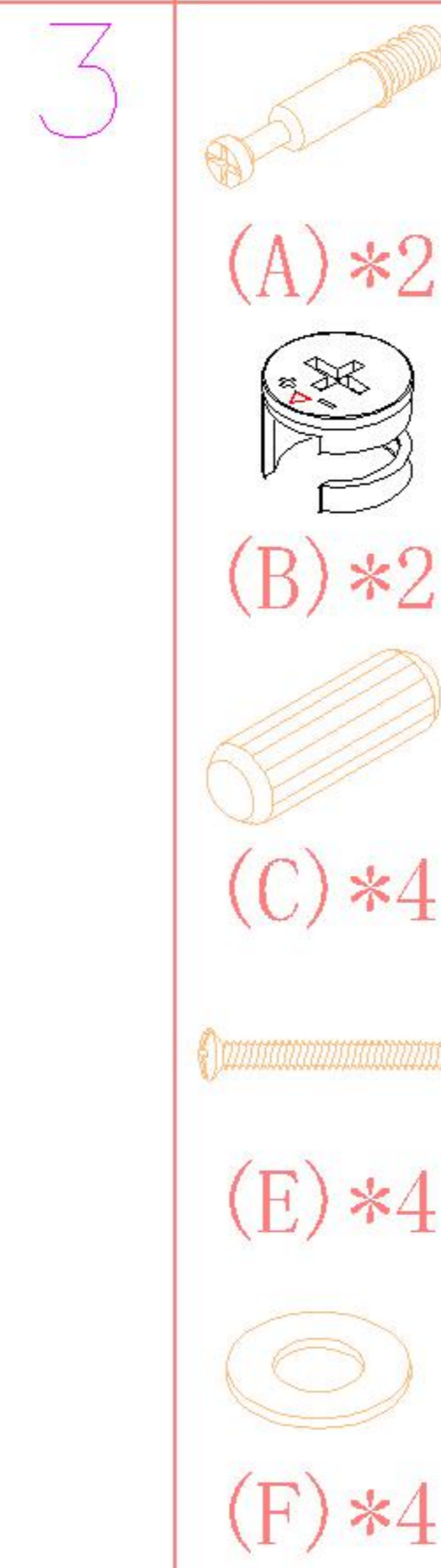
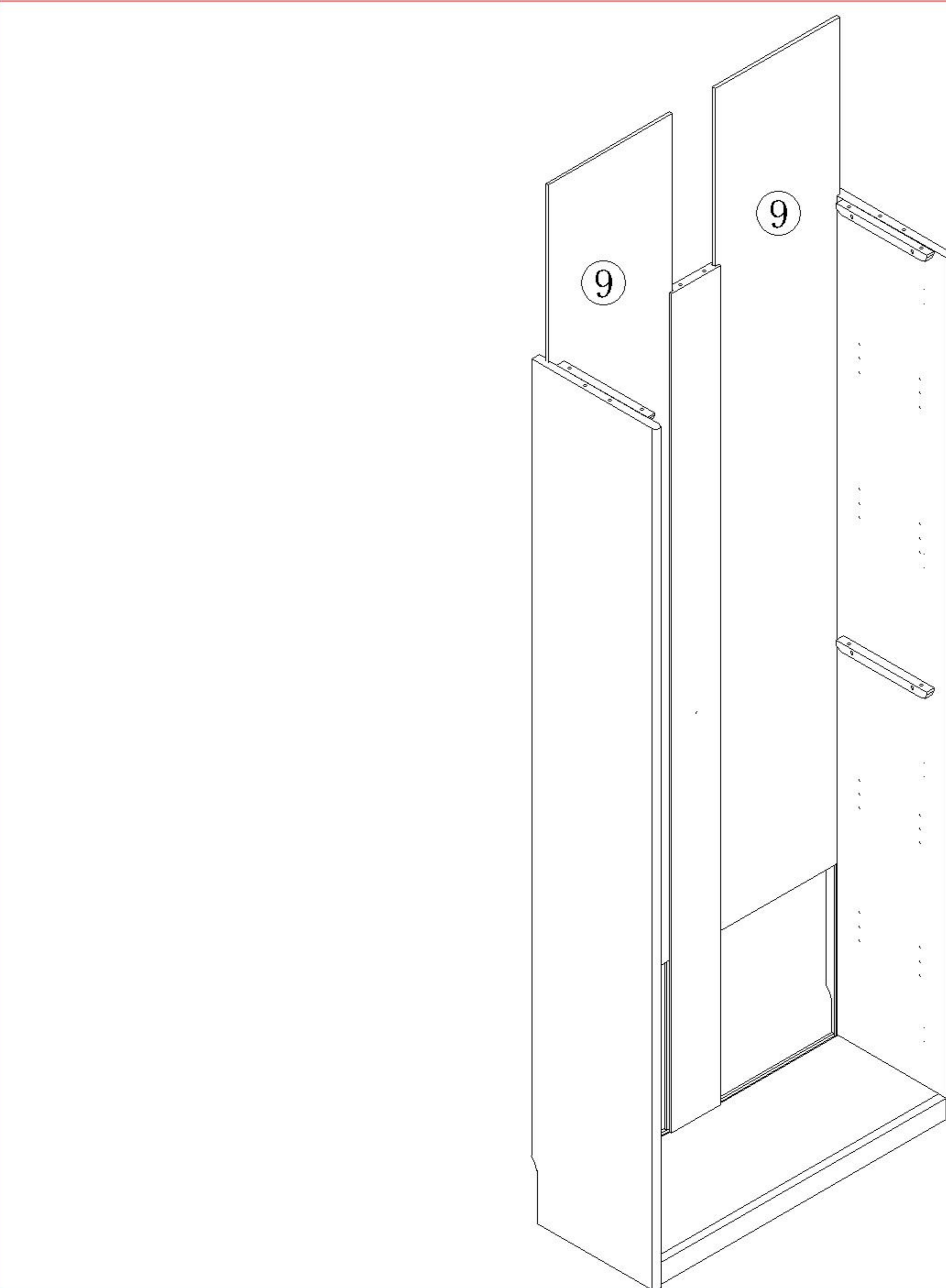
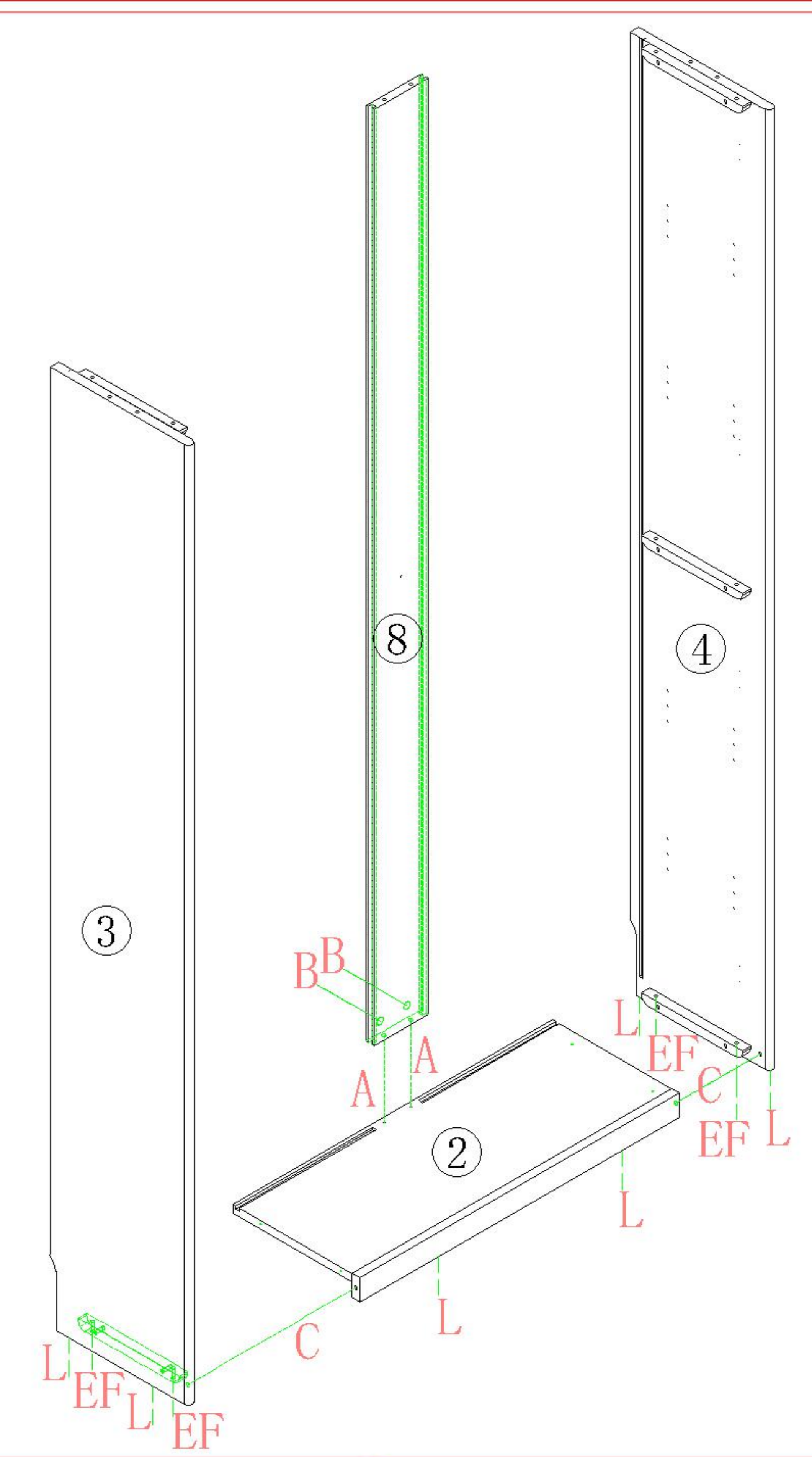
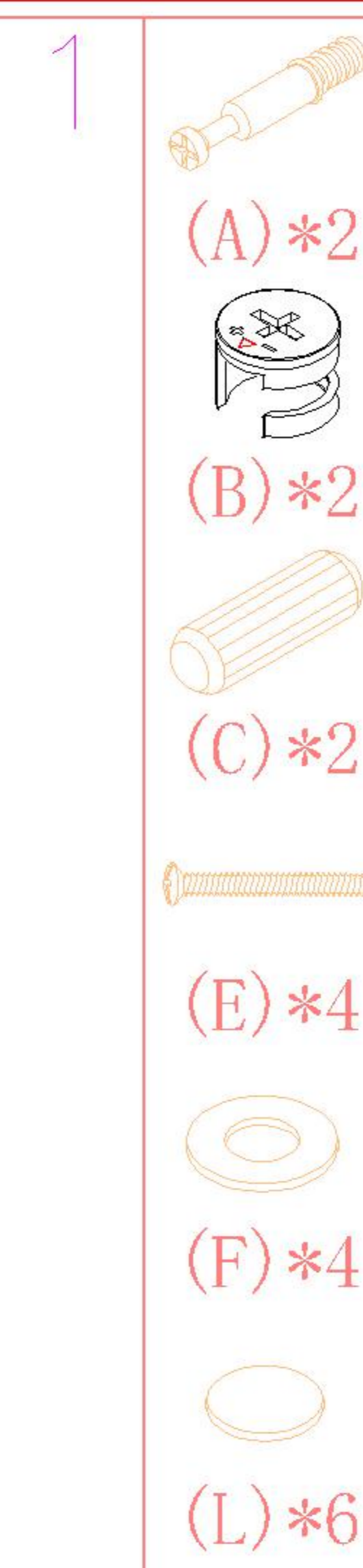
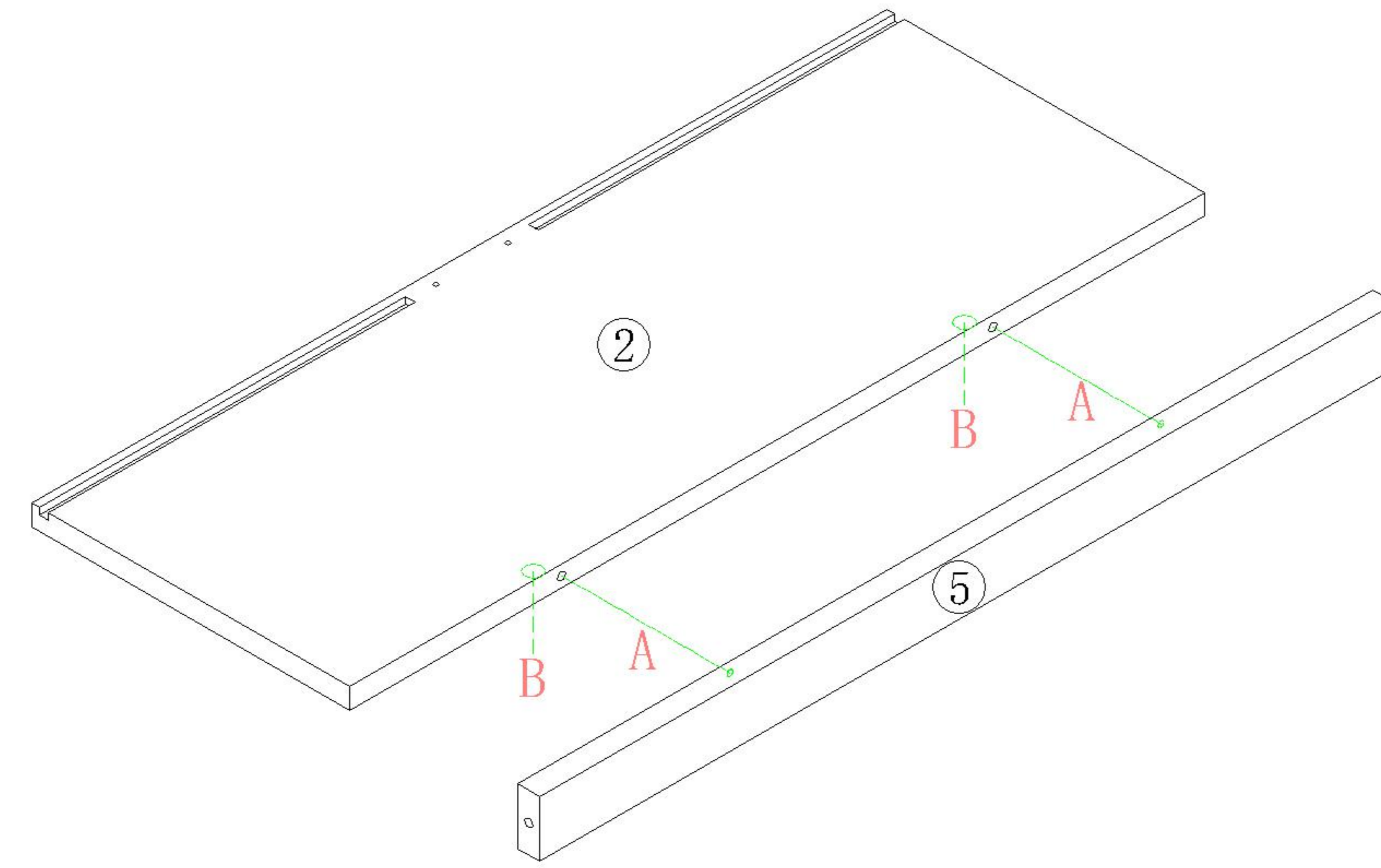
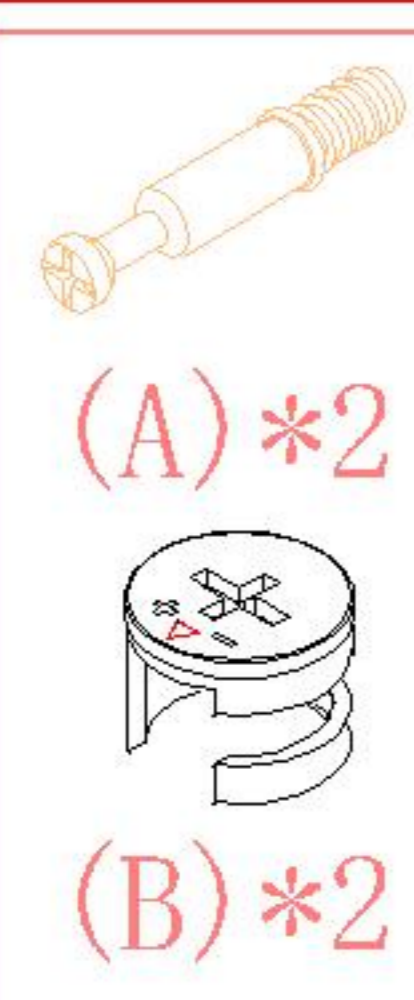
 (M)*8 大弯铝框门铰 Large bend aluminum frame door hinge
--

PK1X-A(0.8m)

# 安装方法 Installation method



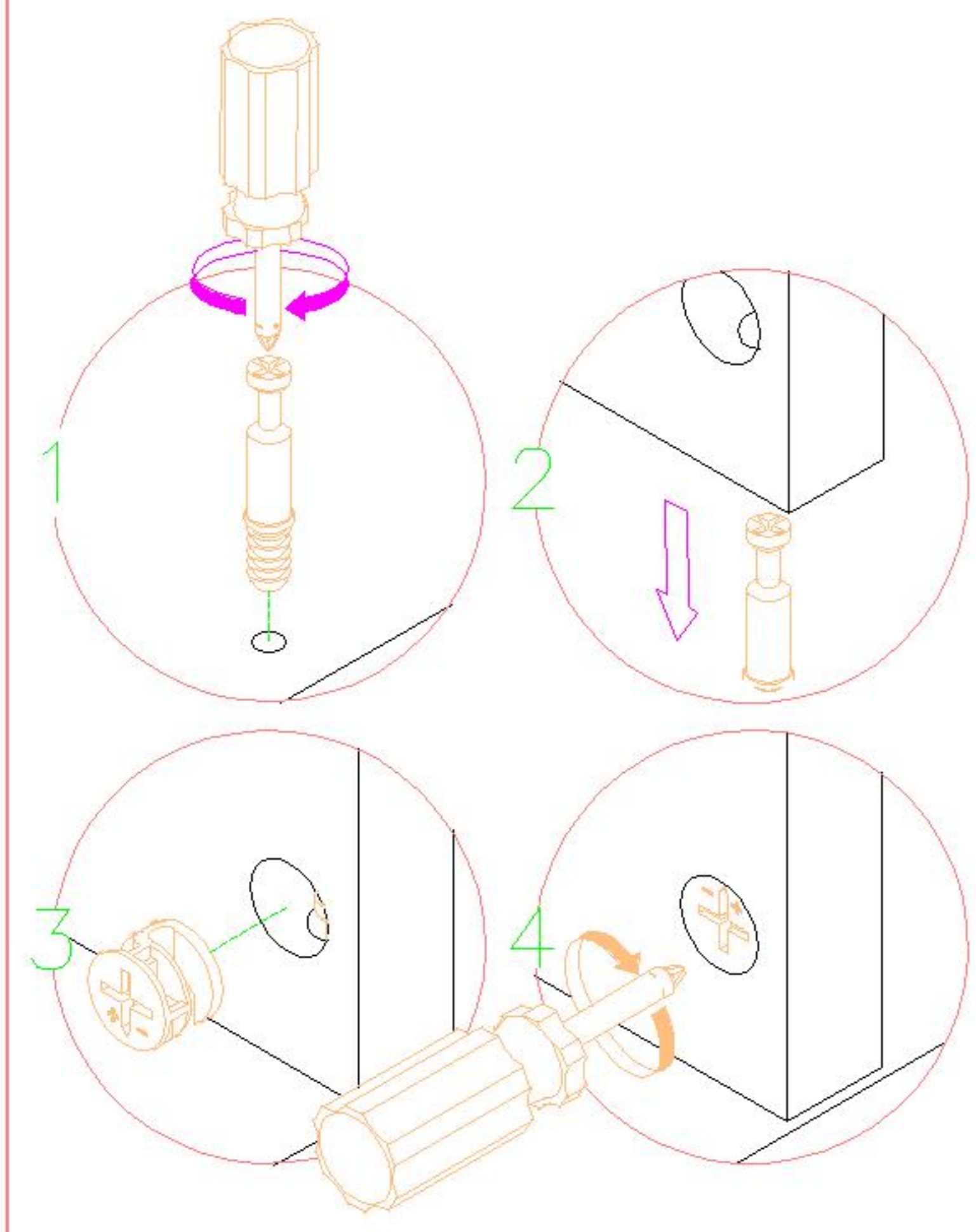
大二合一 two-in-one



PK1X-A(0.8m)

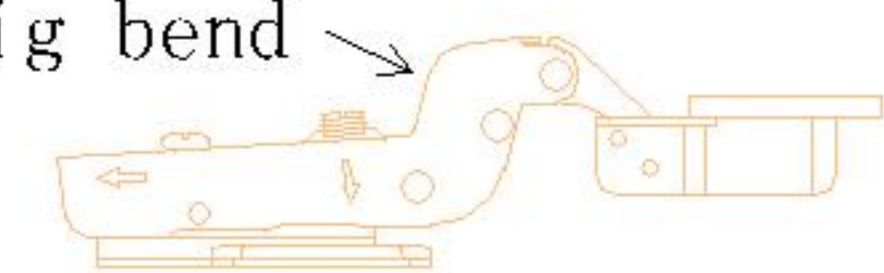
# 安装方法

## Installation method

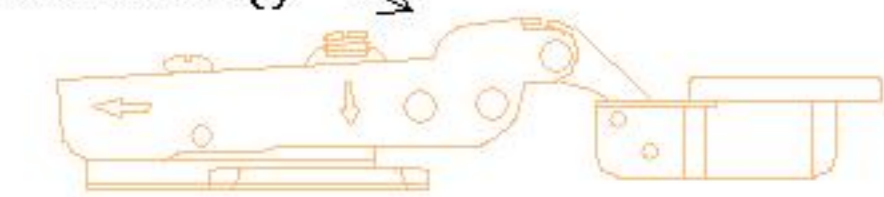


大二合一 two-in-one

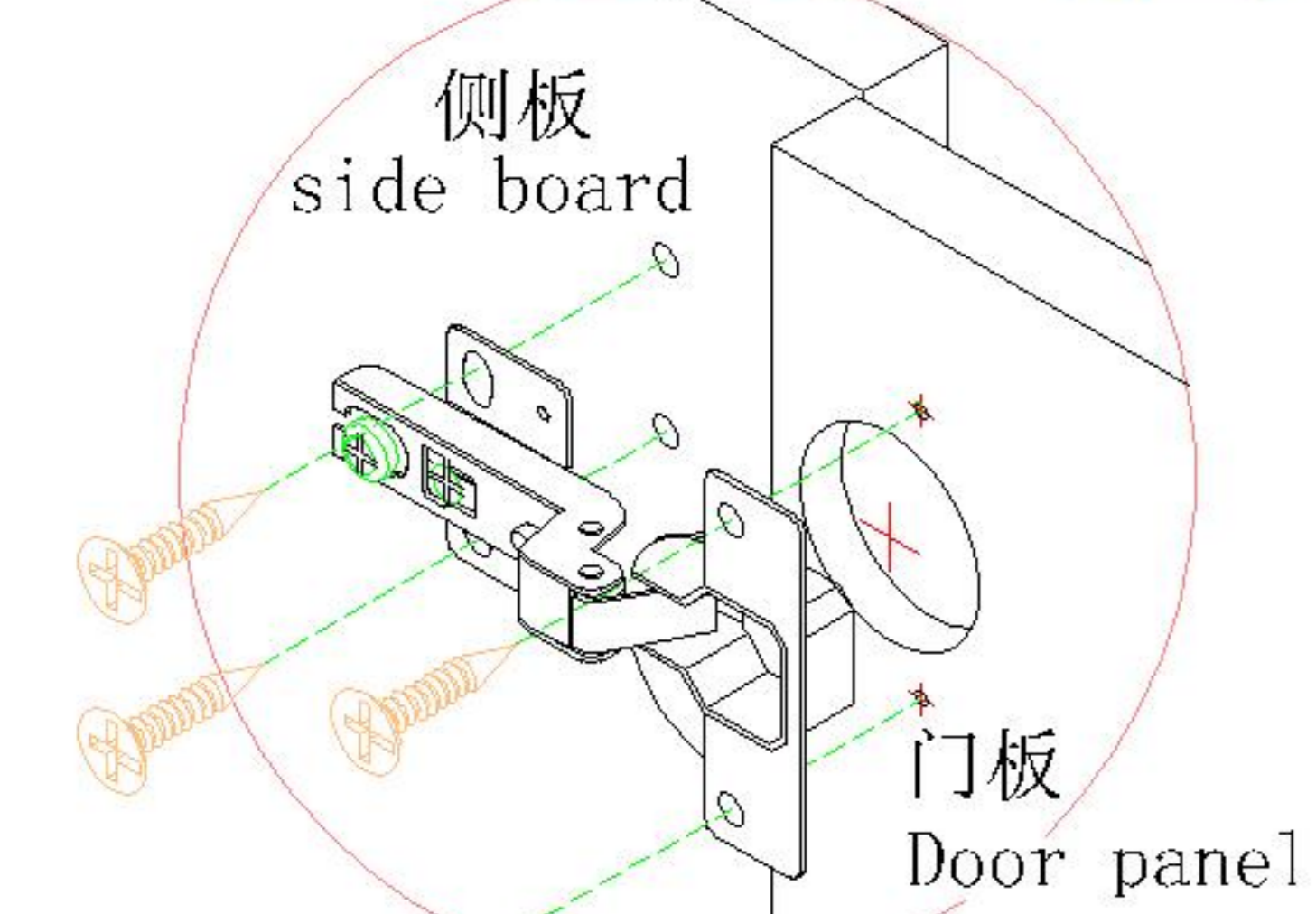
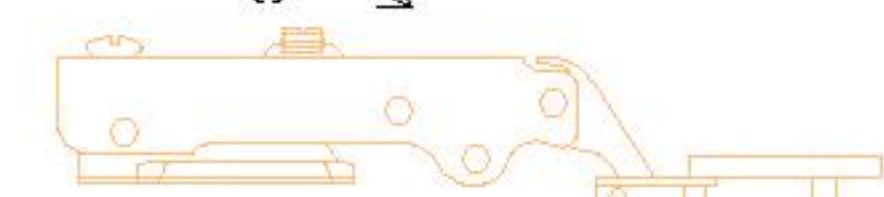
大弯big bend



中弯middle bending



直弯straight bending

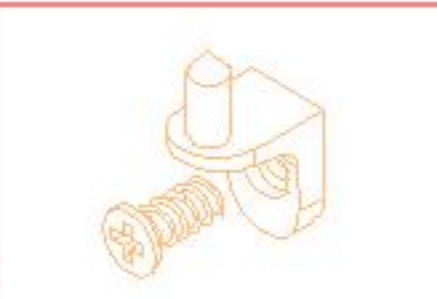


调节上下  
Adjust up and down

调节左右  
Adjust left and right

调节前后  
Before and after adjustment

门铰Hinge



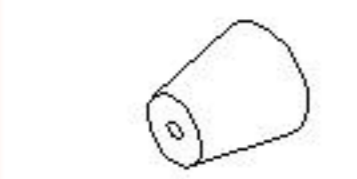
(D)\*16



(E)\*4



(F)\*4



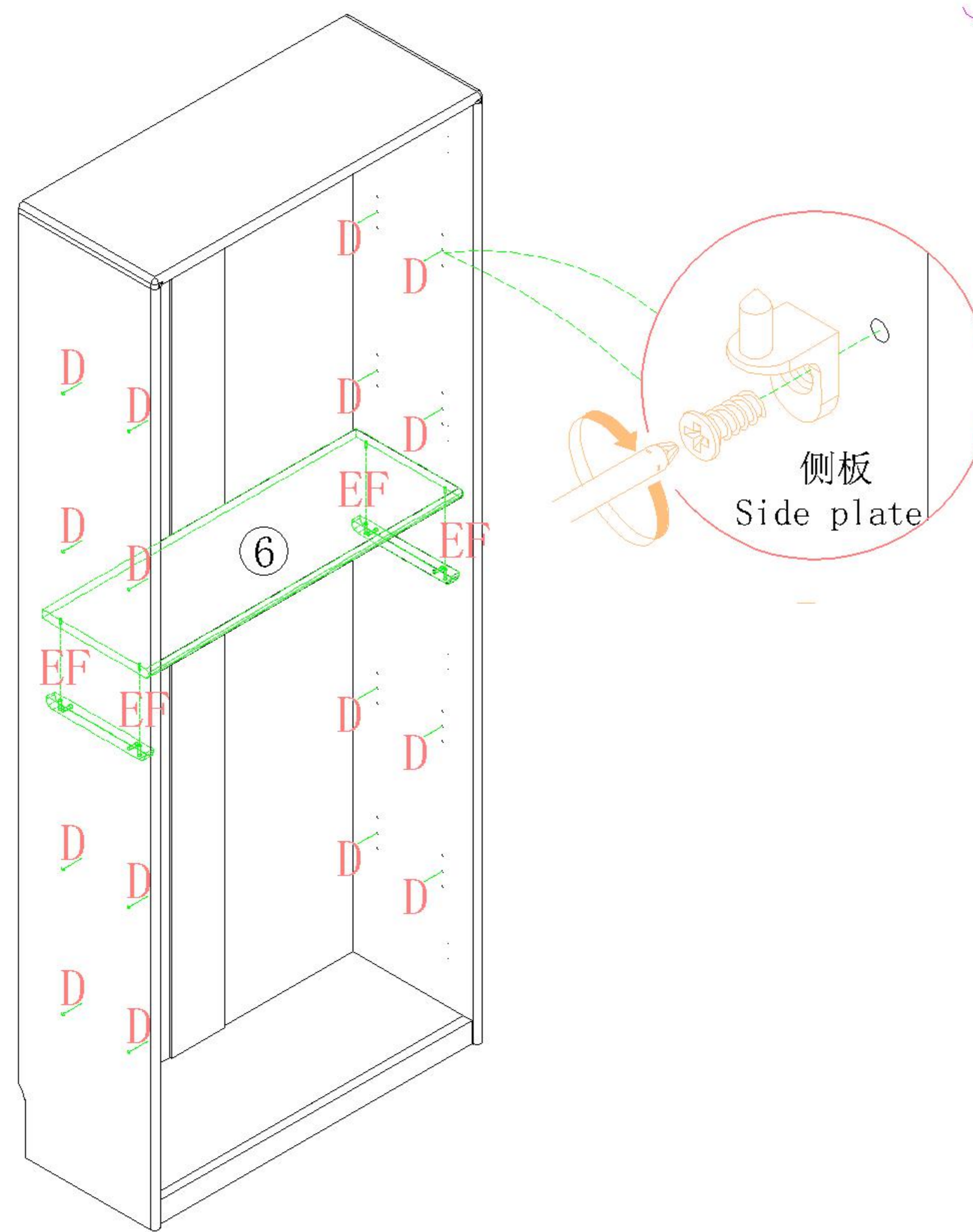
(G)\*2



(H)\*2

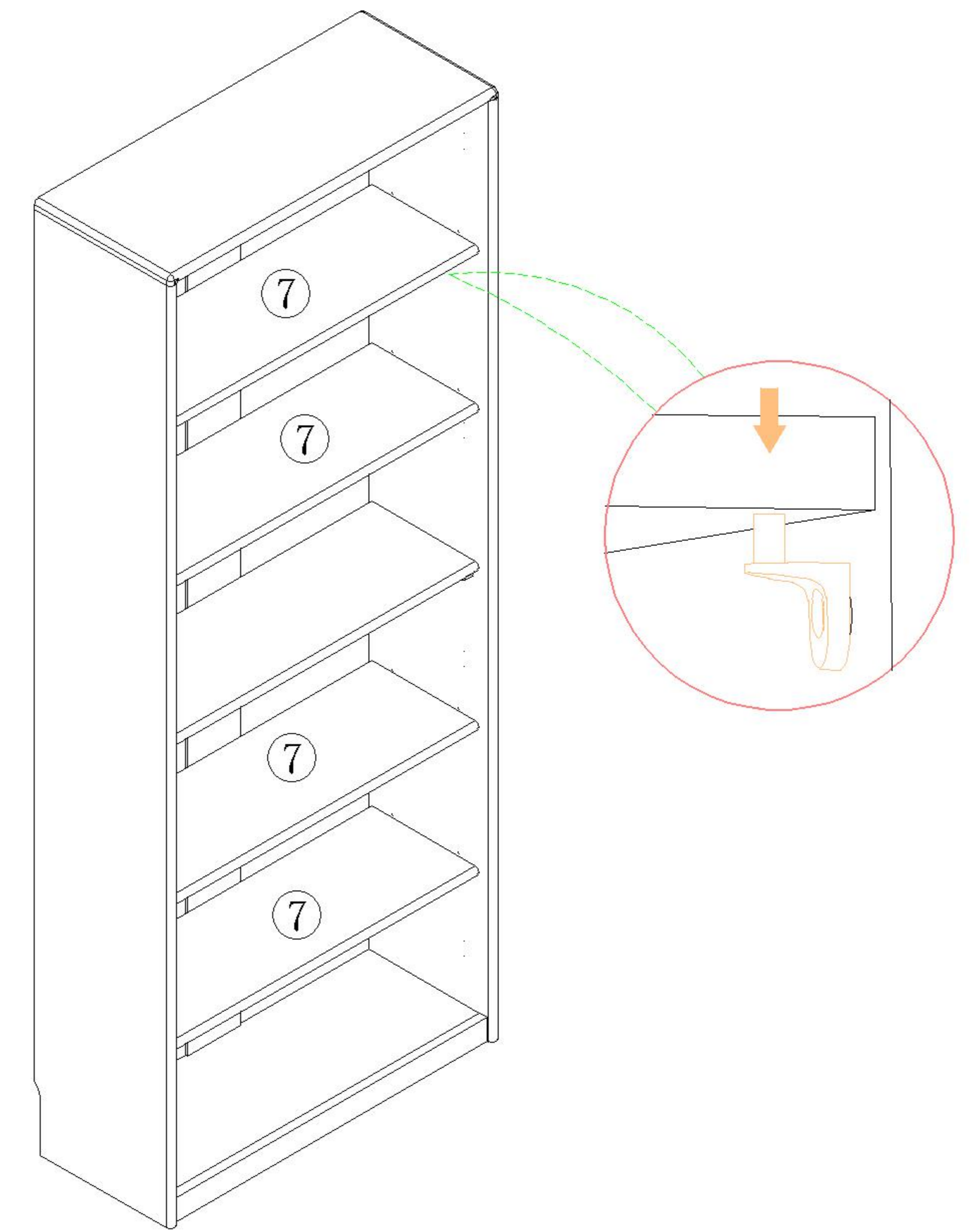


(M)\*8

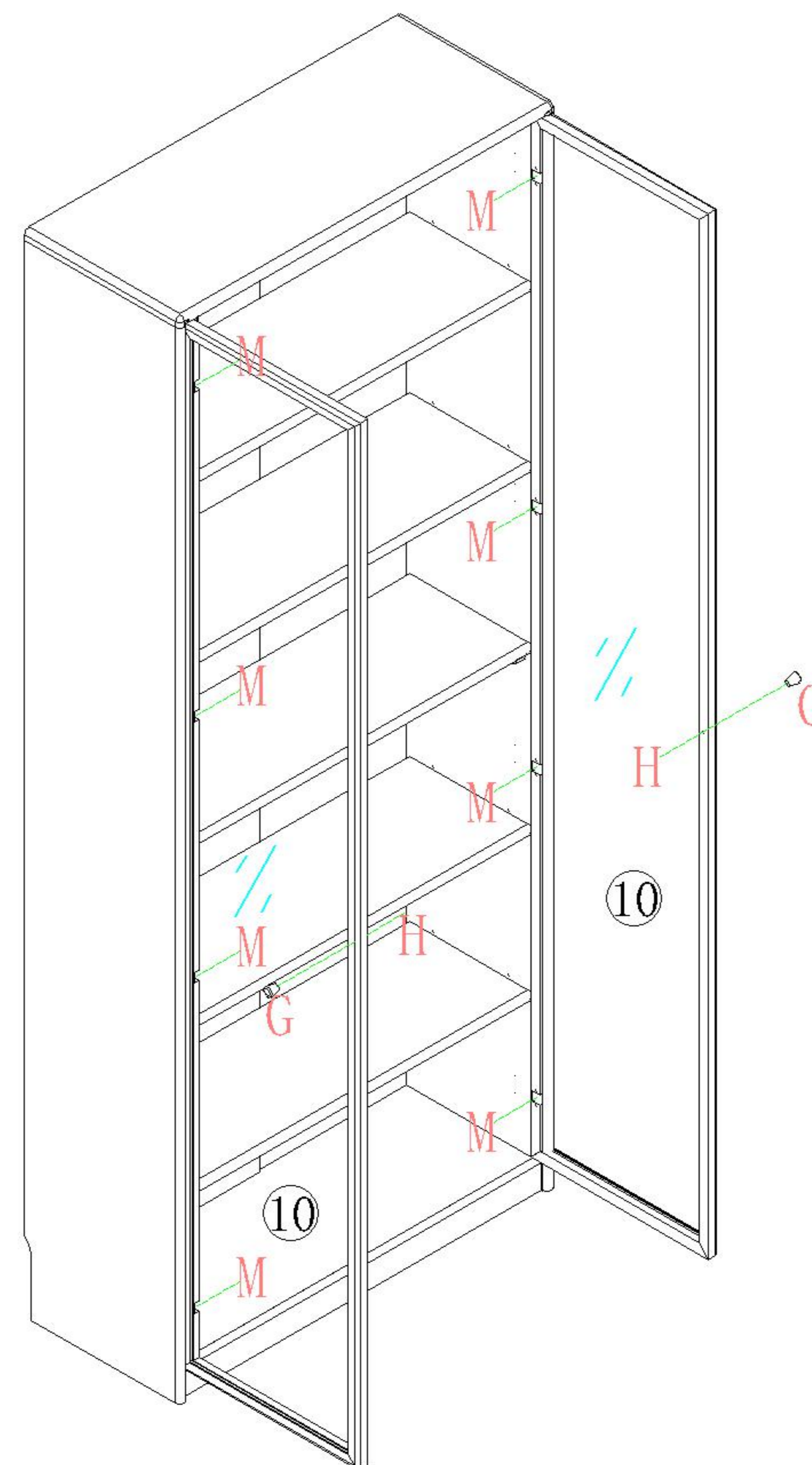


侧板  
Side plate

5



6

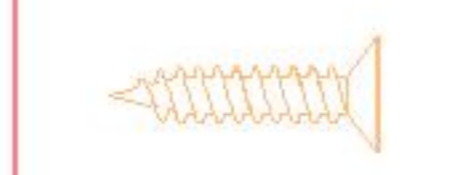


10

7



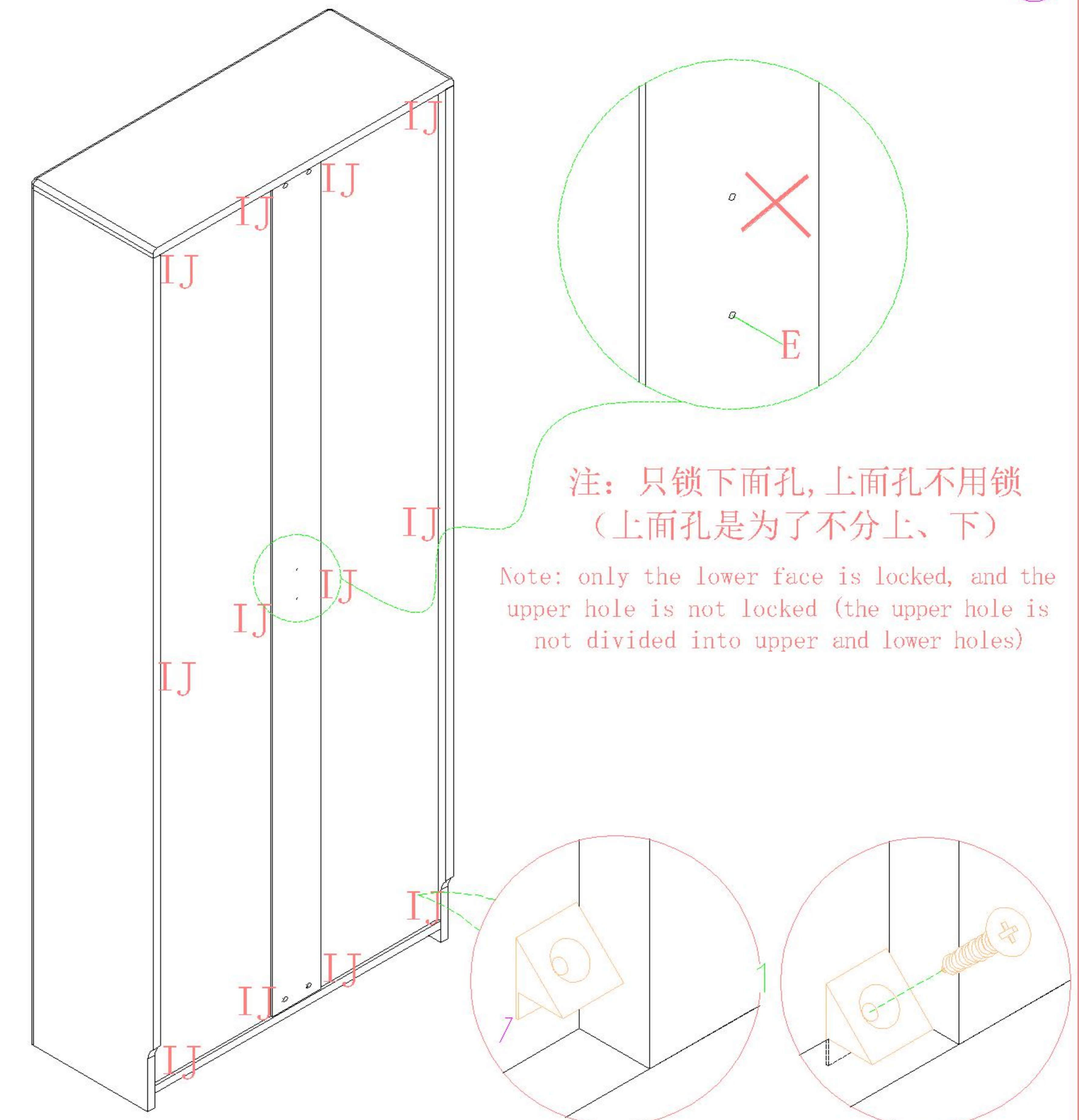
(I)\*12



(J)\*12



(E)\*1



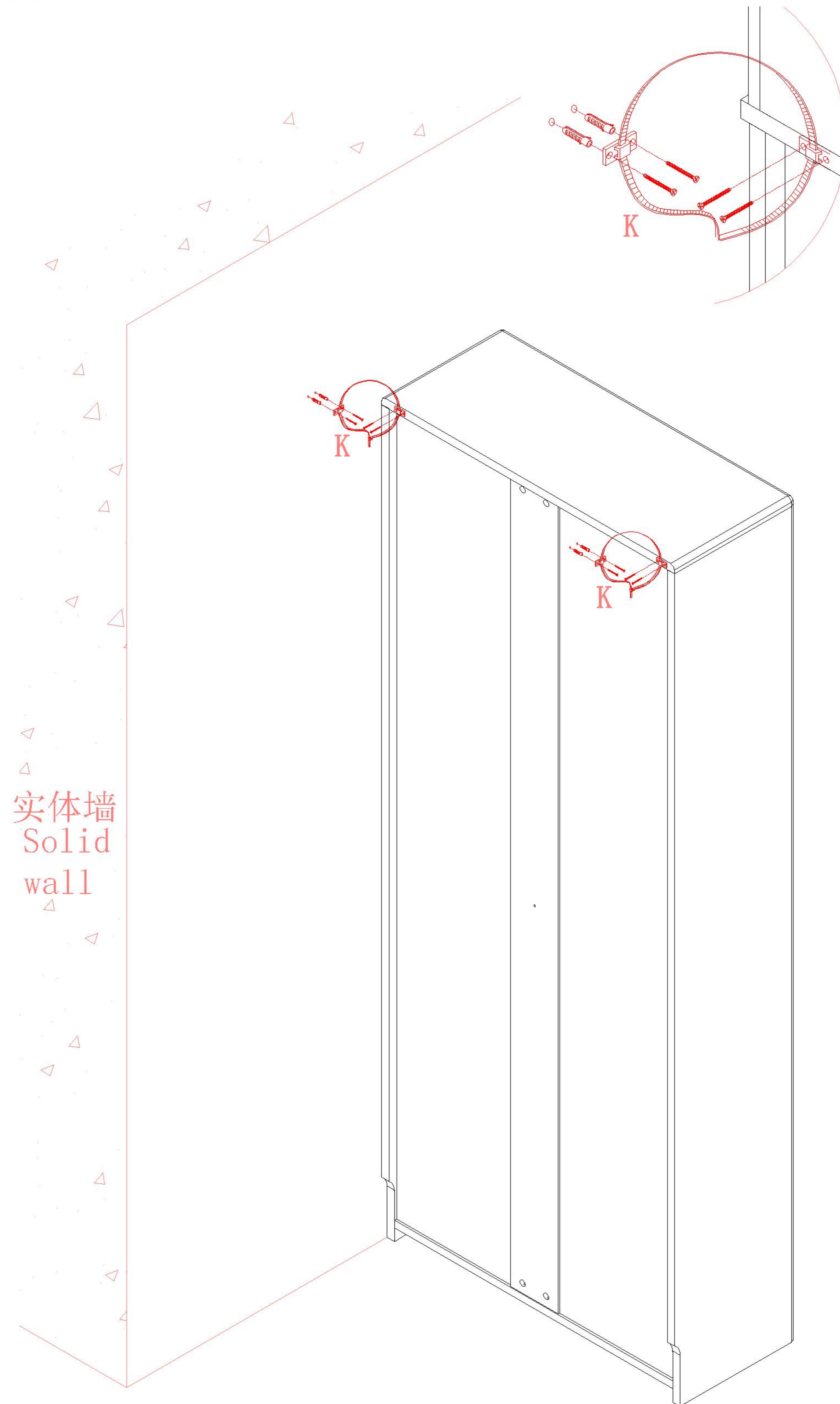
注：只锁下面孔，上面孔不用锁  
(上面孔是为了不分上、下)

Note: only the lower face is locked, and the upper hole is not locked (the upper hole is not divided into upper and lower holes)

8

安装方法  
Installation method

(K)\*2



实体墙  
Solid  
wall

