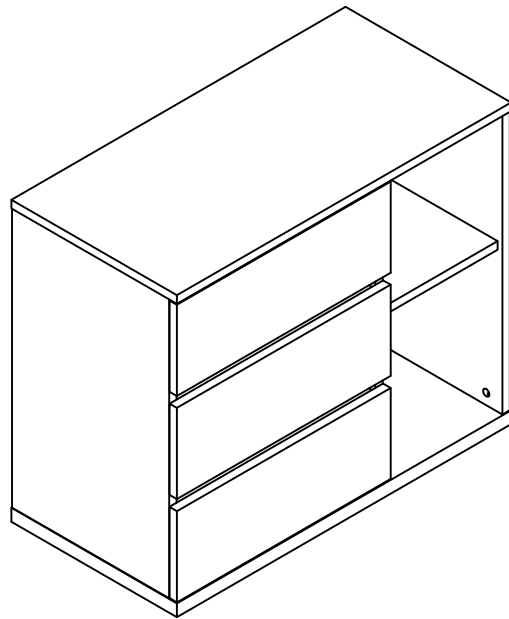
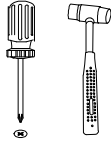


LINSY 林氏家居

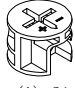

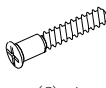


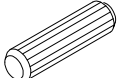

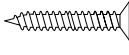


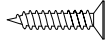
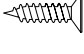
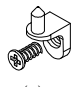

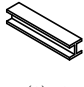


ASSEMBLY INSTRUCTION

Model no.: DJ1V-C Specification: 804*398*667

Install
tool



Metal part list

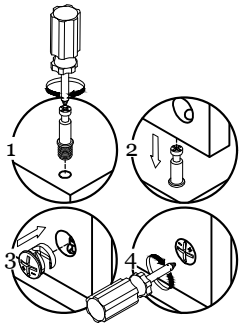
 (A)*21 big size lock screw	 (B)*21 big size 2in1 screw	 (C)*4 7*38	 (D)*13 small size lock screw
 (E)*13 small size 2in1 screw	 (F)*13 wood plug Ø8*30	 (G)*13 plastic screw nut	 (H)*13 screw M4*40mm
 (I)*4 foot pad 16*3MM	 (J)*8 Back panel buckle	 (K)*8 screw M3.5*16	 (L)*38 screw M3.5*12
 (M)*4 anti-falling device	 (N)*3 12"	 (O)*1 Back slot L-622MM white	 (P)*1 diameter 56
 (Q)*1 anti-falling device			

Component list

No.	Name	Specification	QTY	Material
1	Top panel	804*398*18	1	MFC
2	Bottom panel	804*398*25	1	MFC
3	Left side board	624*378*18	1	MFC
4	Middle board	624*358*18	1	MFC
5	Right side board	624*396*18	1	MFC
6	Shelf board	269*356*18	1	MFC
7	Left backboard	634*387*5	1	MFC
8	Right backboard	634*387*5	1	MFC
9	Front board	514*190*18	2	MFC
10	Front board	514*190*18	1	MFC
11	Left side board	340*110*12	3	MFC
12	Right side board	340*110*12	3	MFC
13	Backboard	428*110*12	3	MFC
14	Bottom panel	438*336*5	3	MFC
15	Brace	478*58*18	2	
16	Bottom brace	478*58*18	2	

DJ1V-C

Assembly instruction

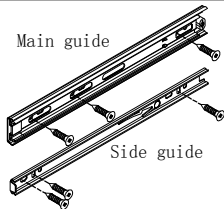


PART D

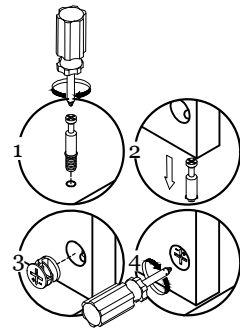
Valve switch (press down to open)



Main guide

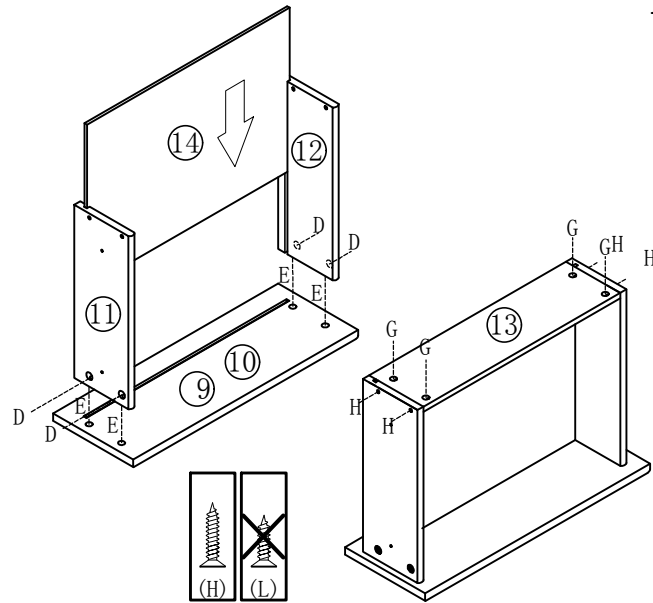


PART N



PART B

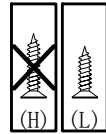
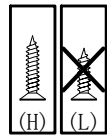
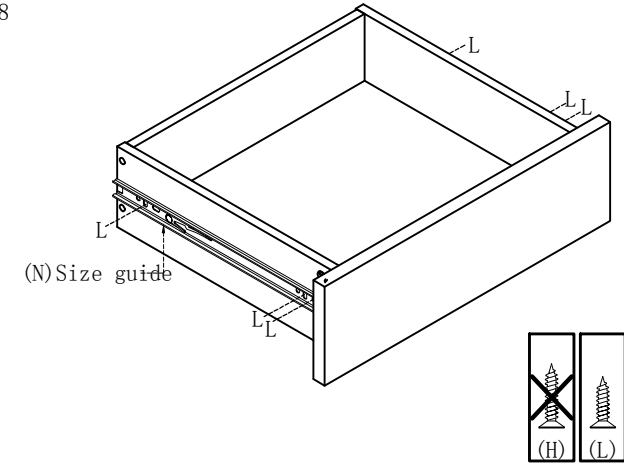
- (D) *12
- (E) *12
- (G) *12
- (H) *12



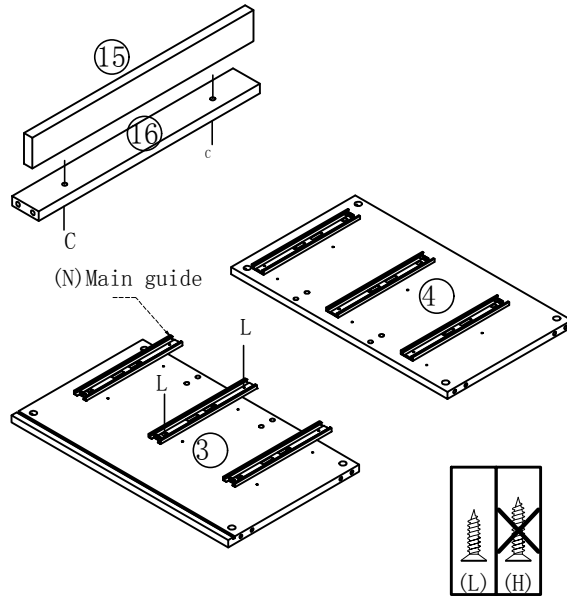
1

- (N) *3
- (L) *18

2



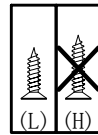
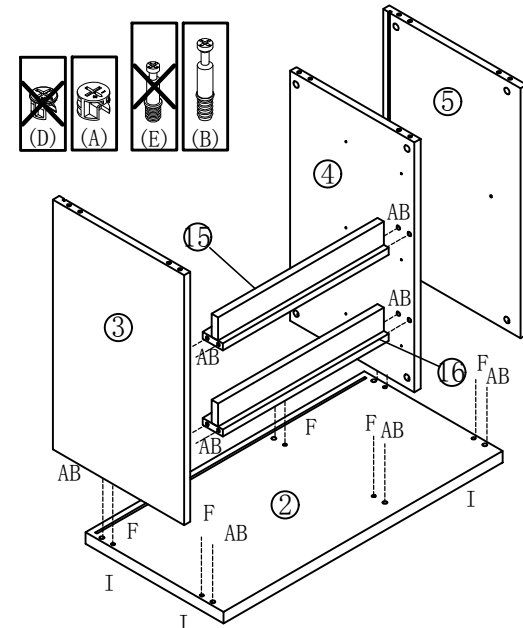
- (C) *4
- (N) *3
- (L) *18



3

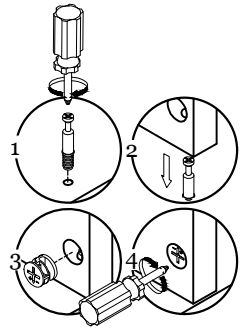
- (A) *14
- (B) *14
- (F) *6
- (I) *4

4

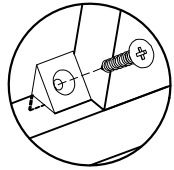


DJ1V-C

Assembly instruction

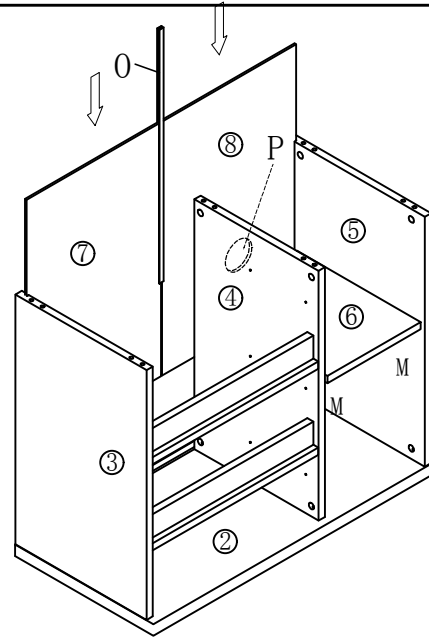


PART B

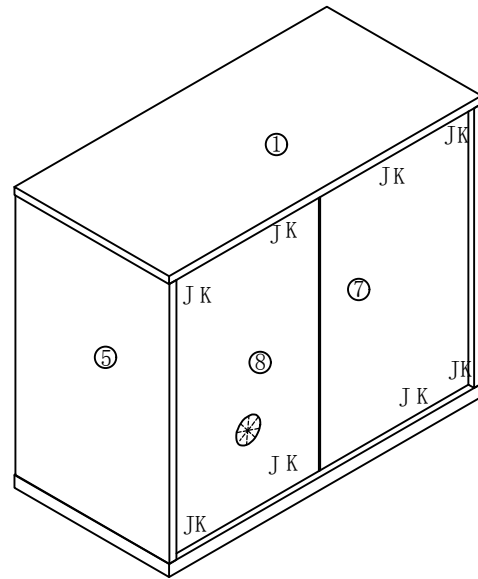


PART J

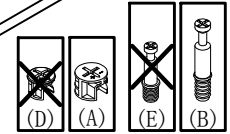
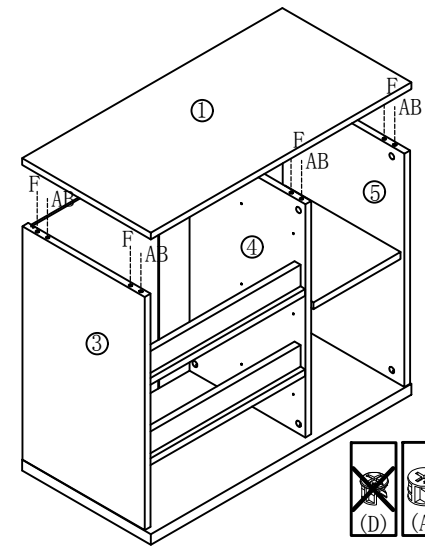
- (O)*1
- (O)*1
- (M)*4



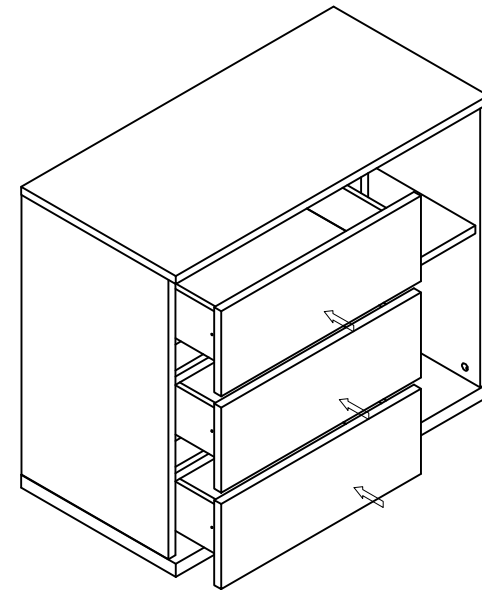
- (J)*8
- (K)*8



- (A)*6
- (B)*6
- (F)*6

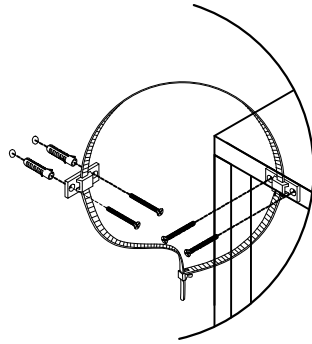


7



8

DJ1V-C



QZoom

solid
wall⁴

