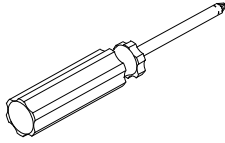
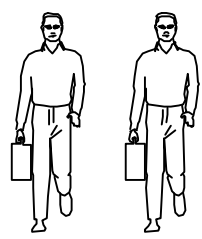


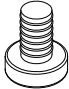
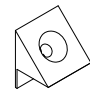
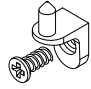
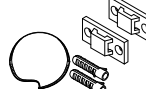
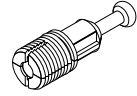

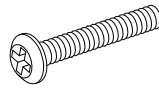
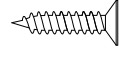
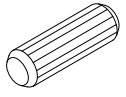
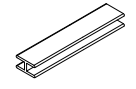
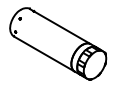
# LINSY 林氏家居

## 五金表/Hardware list

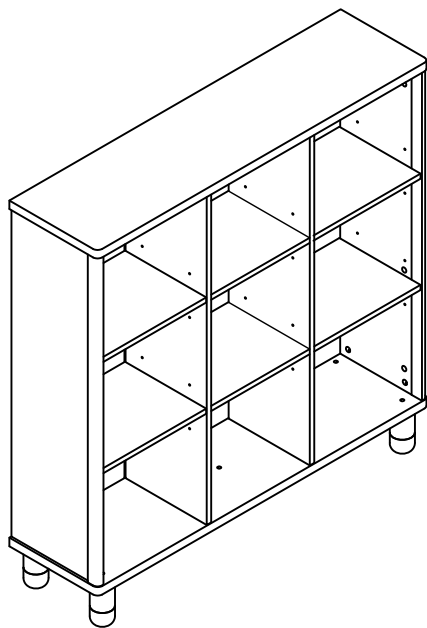
## 部件表/Parts List

安装示意图/Assembly Instruction

产品名称 Model NO.	KN1X-A1
产品规格 Specification	1118*298*1135mm
安装工具 Tool	安装人数 Installer
	

 (A)* 4 透明防滑PVC脚垫 Rubber stopper	 (B)* 15 背板扣 Back Plate Buckle=White	 (C)* 24 层板托5mm shelf support	 (D)* 2 家具防倒器-白色 Anti-fall device white
 (E)* 26 二合一螺杆(32mm) 2-in-1-screw	 (F)* 25 大三合一锁饼(15mm) Three-in-one large lock	 (G)* 5 斜边十字螺杆M8x45 Bevel cross screw	 (H)* 15 自攻螺丝M3.5x16mm Self-tapping screw
 (I)* 21 木榫08x30mm wood tenon	 (J)* 2 白色夹板条L=958mm White splint strip	 (K)* 1 通用铁中脚Φ30*106 Iron middle leg	

编号NO.	名称Name	规格 (mm) Specification	数量QTY	材质Material
①	面板Top panel	1118*298*25	1	三胺板 Melamine
②	底板Bottom board	1118*298*25	1	三胺板 Melamine
③	侧板Side board	960*261*15	2	三胺板 Melamine
④	侧柱Side pillar	960*35*20	2	实木 Wood
⑤	中侧板Middle side board	960*273*15	2	三胺板 Melamine
⑥	背板Back board	970*359*5	3	三胺板 Melamine
⑦	活动层板Movable shelf	347*273*15	6	三胺板 Melamine
⑧	脚Foot	120*60*60	4	实木 Wood



▶使用本产品请靠墙放置。  
▶Please place this product against the wall.

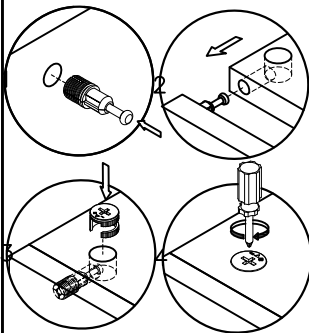
警告：为避免夹伤，多个产品组合使用时请适当调整组合间隙，使缝隙少于5mm或大于15mm。  
Warning: To avoid injury, please adjust the gap that less than 5mm or more than 15mm when using multiple product combinations.

注意！只允许成人安装，儿童勿近  
Be careful! Adult only, keep away from children.

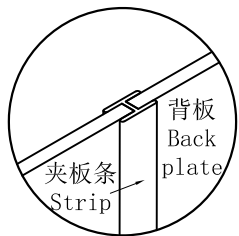
KN1X-A1

# 安装方法

## Installation method

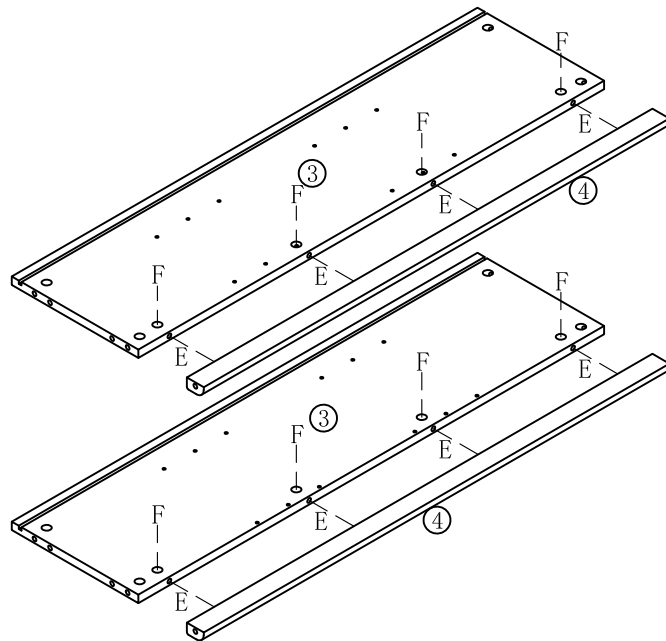


二合一 two-in-one



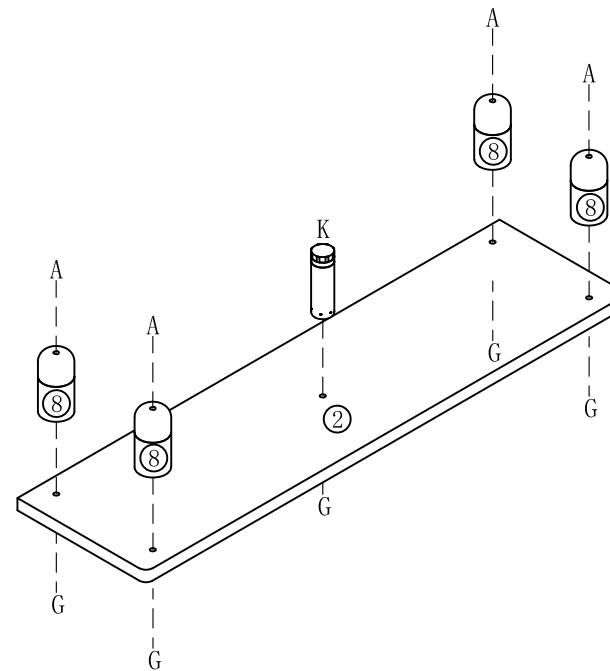
夹板条 Splint strip

- (F)\*8
- (E)\*8



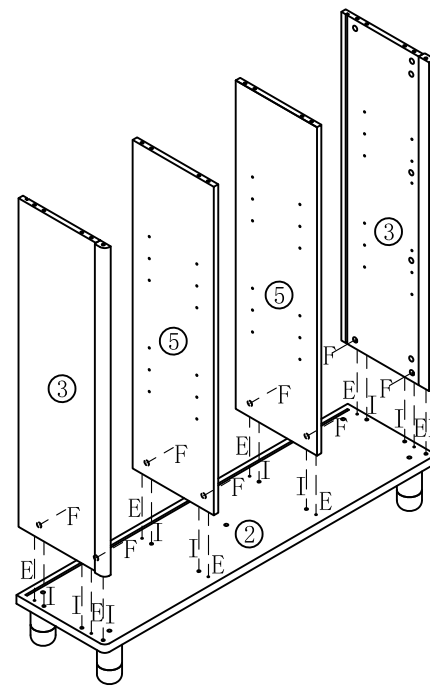
1

- (A)\*4
- (G)\*5
- (K)\*1



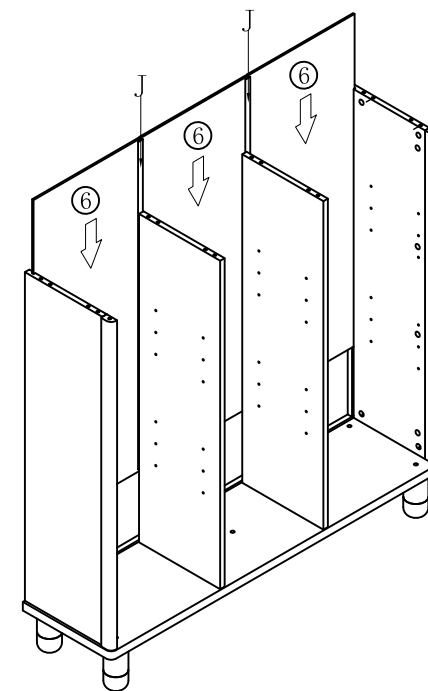
2

- (F)\*8
- (E)\*8
- (I)\*10



3

- (J)\*2

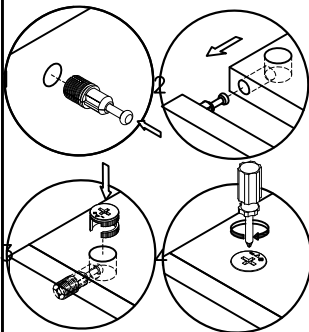


4

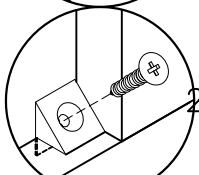
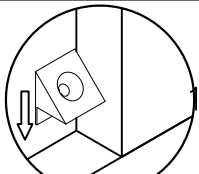
KN1X-A1

### 安装方法

Installation method

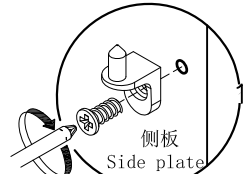


二合一 two-in-one



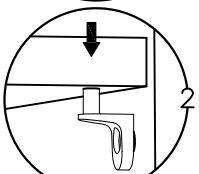
背板扣

Back Plate Buckle-White



侧板

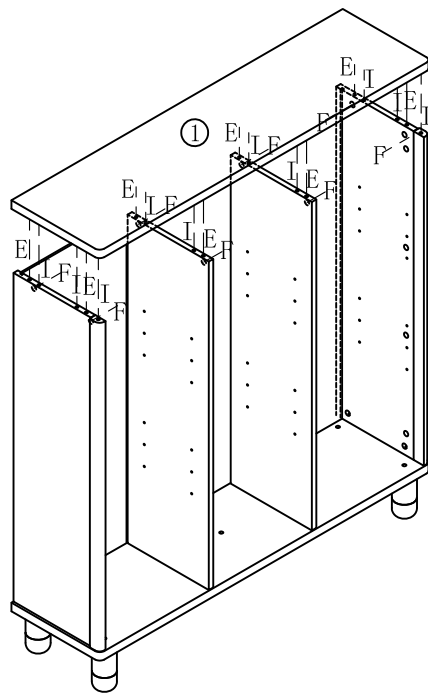
Side plate



层板托5mm  
shelf support

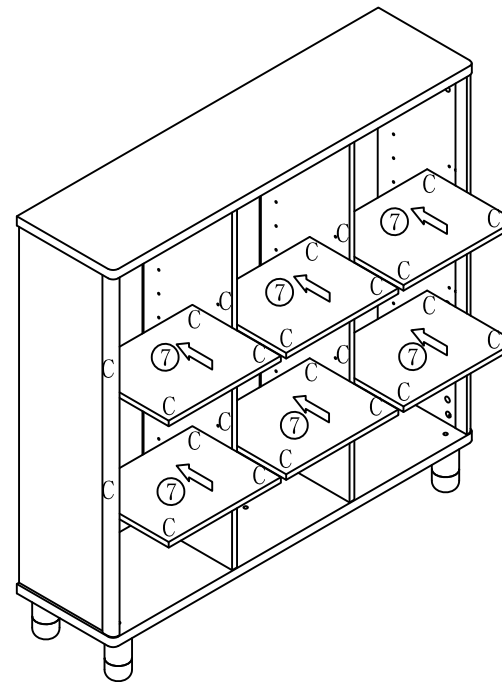
- (F)\*8
- (E)\*8
- (I)\*10

- (B)\*14
- (H)\*14

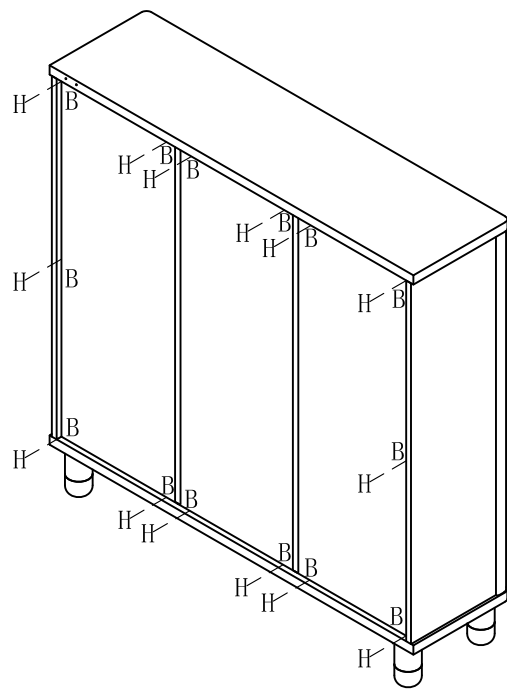


5

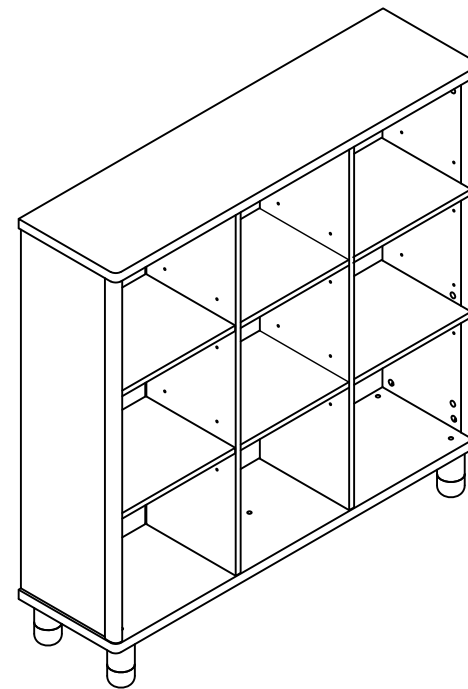
- (C)\*24



6



7



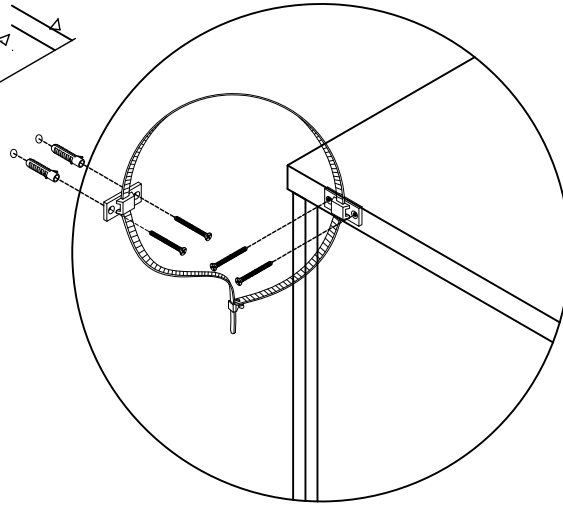
8

KN1X-A1



(D)\*2

实体墙 Solid wall



D

