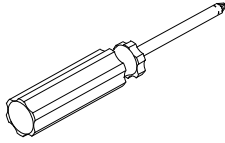
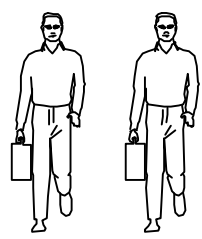


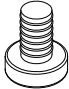
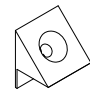
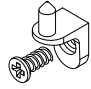
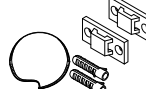
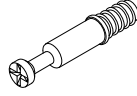

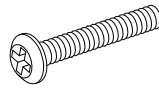

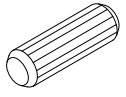
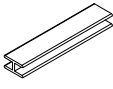
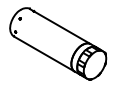
LINSY 林氏家居

五金表/Hardware list

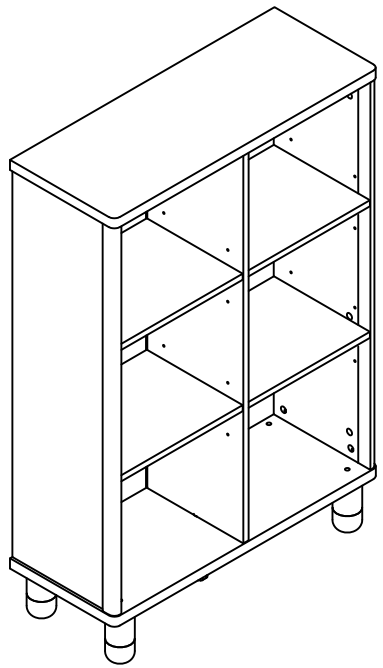
部件表/Parts List

安装示意图/Assembly Instruction

产品名称 Model NO.	KN2X-A1
产品规格 Specification	755*298*1135mm
安装工具 Tool	安装人数 Installer
	

 (A)* 4 透明防滑PVC脚垫 Rubber stopper	 (B)* 11 背板扣 Back Plate Buckle-White	 (C)* 16 层板托5mm shelf support	 (D)* 2 家具防倒器-白色 Anti-fall device white
 (E)* 21 二合一螺杆(35mm) 2-in-1-screw	 (F)* 21 大三合一锁饼(15mm) Three-in-one large lock	 (G)* 5 斜边十字螺杆M8x45 Bevel cross screw	 (H)* 11 自攻螺丝M3.5x16mm Self-tapping screw
 (I)* 17 木榫08x30mm wood tenon	 (J)* 1 白色夹板条L=958mm White splint strip	 (K)* 1 通用铁中脚φ30*106 Iron middle leg	

编号NO.	名称Name	规格 (mm) Specification	数量QTY	材质Material
①	面板Top panel	755*298*25	1	三胺板 Melamine
②	底板Bottom board	755*298*25	1	三胺板 Melamine
③	侧板Side board	960*261*15	2	三胺板 Melamine
④	侧柱Side pillar	960*35*20	2	实木 Wood
⑤	中侧板Middle side board	960*273*15	1	三胺板 Melamine
⑥	背板Back board	970*359*5	2	三胺板 Melamine
⑦	活动层板Movable shelf	347*273*15	4	三胺板 Melamine
⑧	脚Foot	120*60*60	4	实木 Wood



▶使用本产品请靠墙放置。
▶Please place this product against the wall.

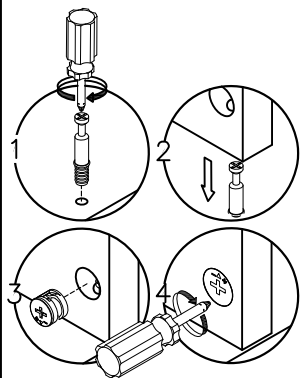
警告：为避免夹伤，多个产品组合使用时请适当调整组合间隙，使缝隙少于5mm或大于15mm。
Warning: To avoid injury, please adjust the gap that less than 5mm or more than 15mm when using multiple product combinations.

注意！只允许成人安装，儿童勿近
Be careful! Adult only, keep away from children.

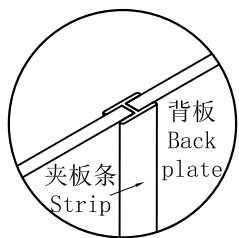
KN2X-A1

安装方法

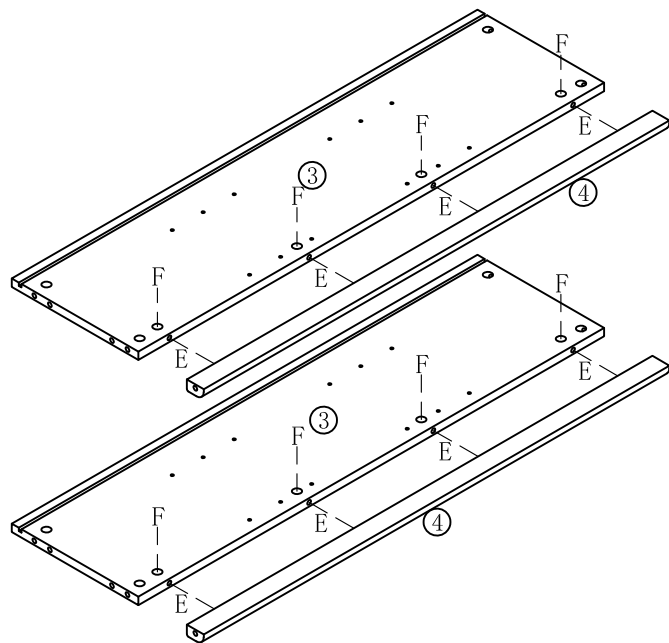
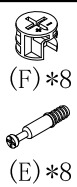
Installation method



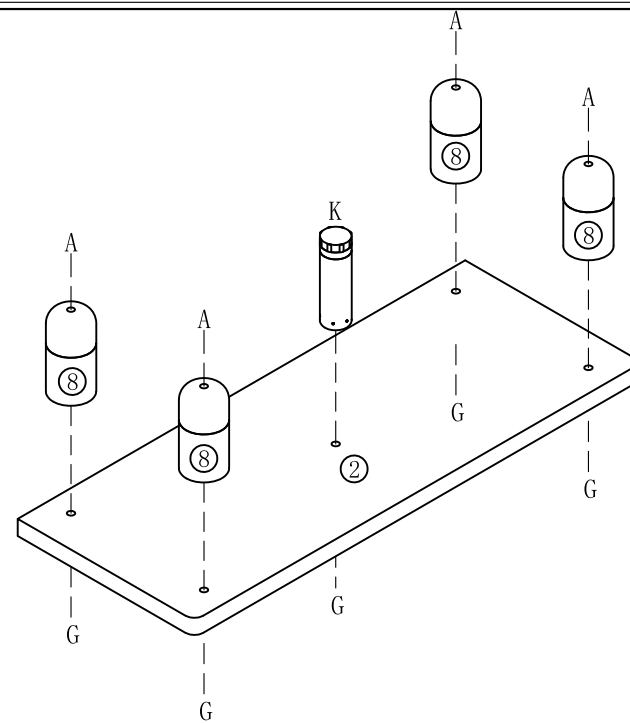
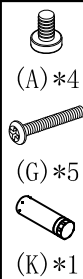
二合一 two-in-one



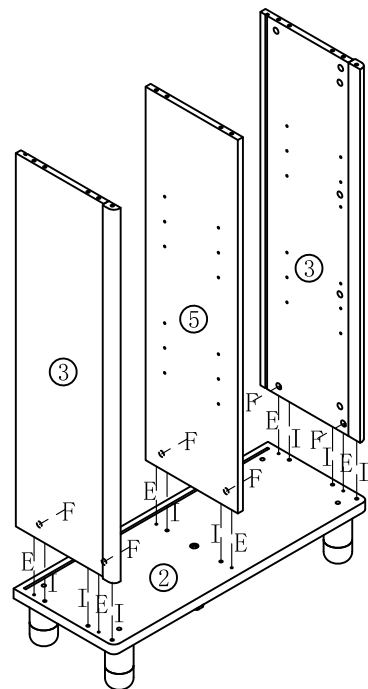
夹板条 Splint strip



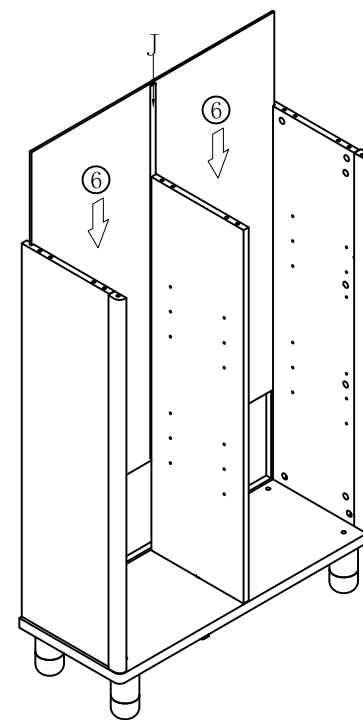
1



2



3

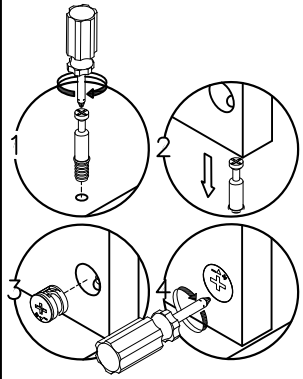


4

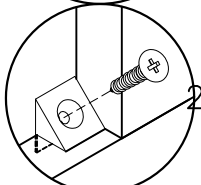
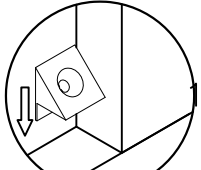
KN2X-A1

安装方法

Installation method

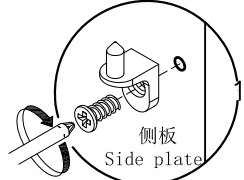


二合一 two-in-one

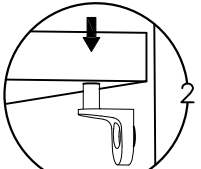


背板扣

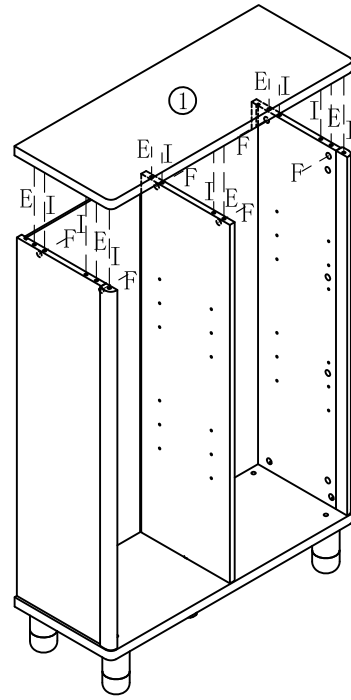
Back Plate Buckle-White



侧板
Side plate



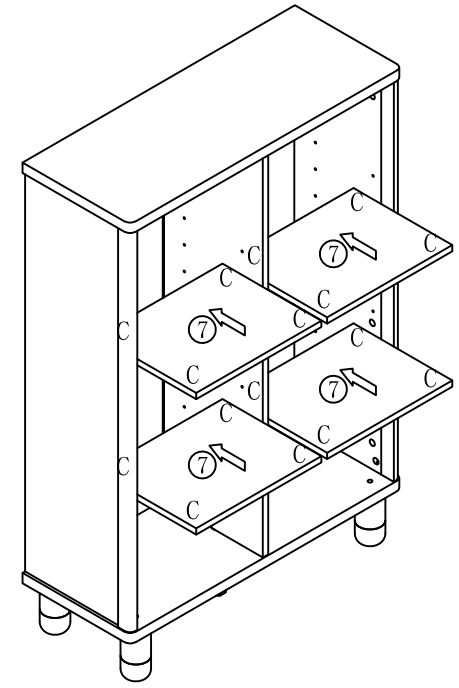
层板托5mm
shelf support



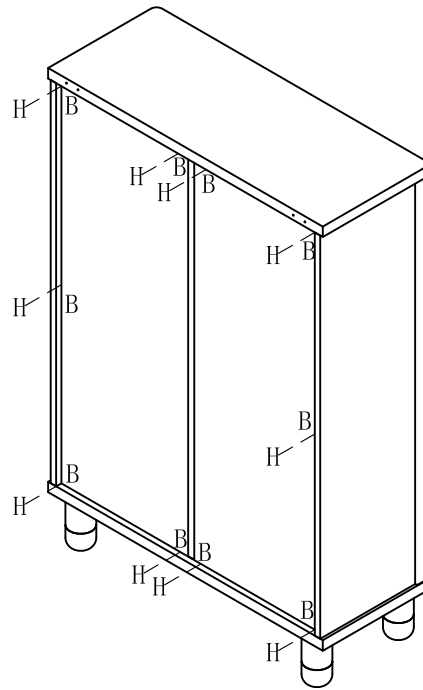
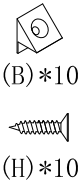
5



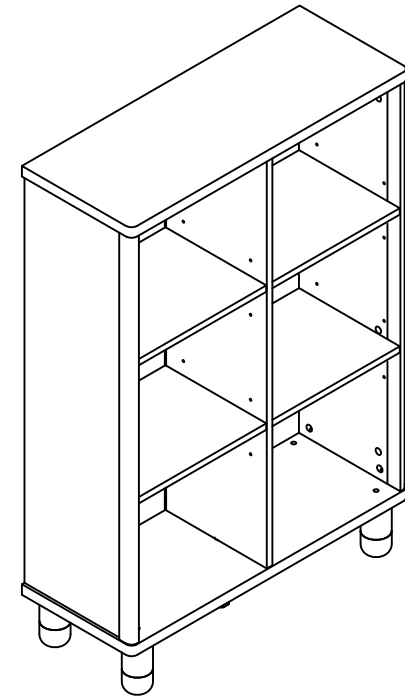
6



7



8



KN2X-A1

(D)*2

实体墙 Solid wall

