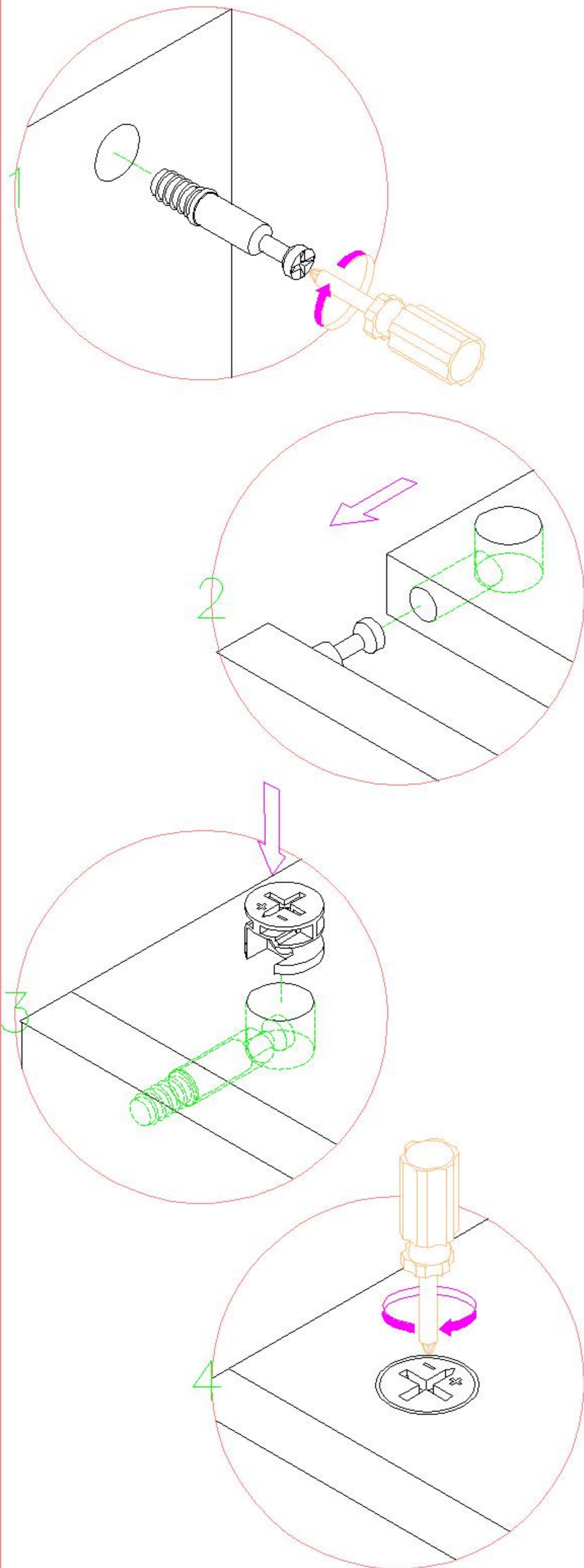




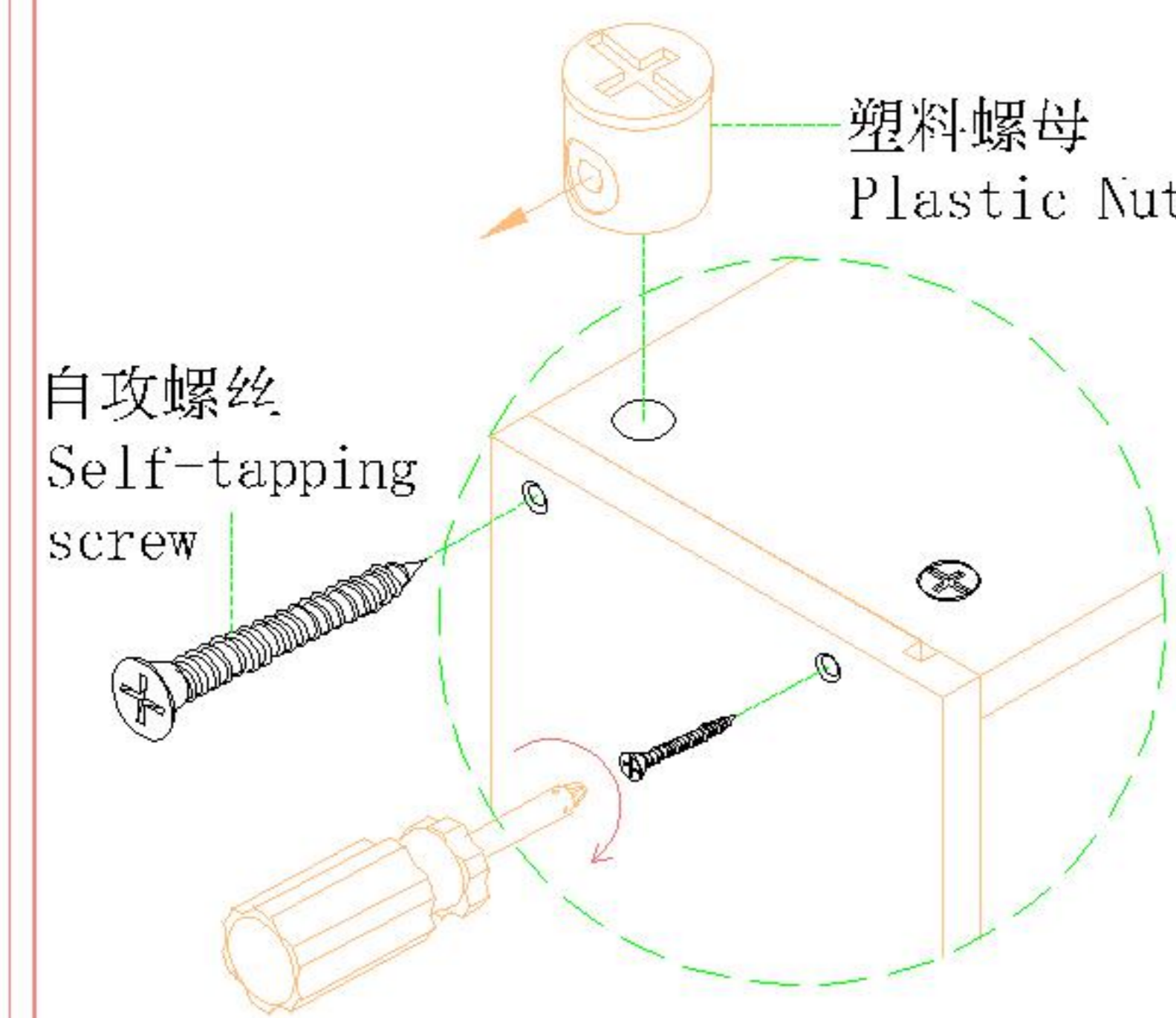


T01E-A

安装方法/  
Installation method

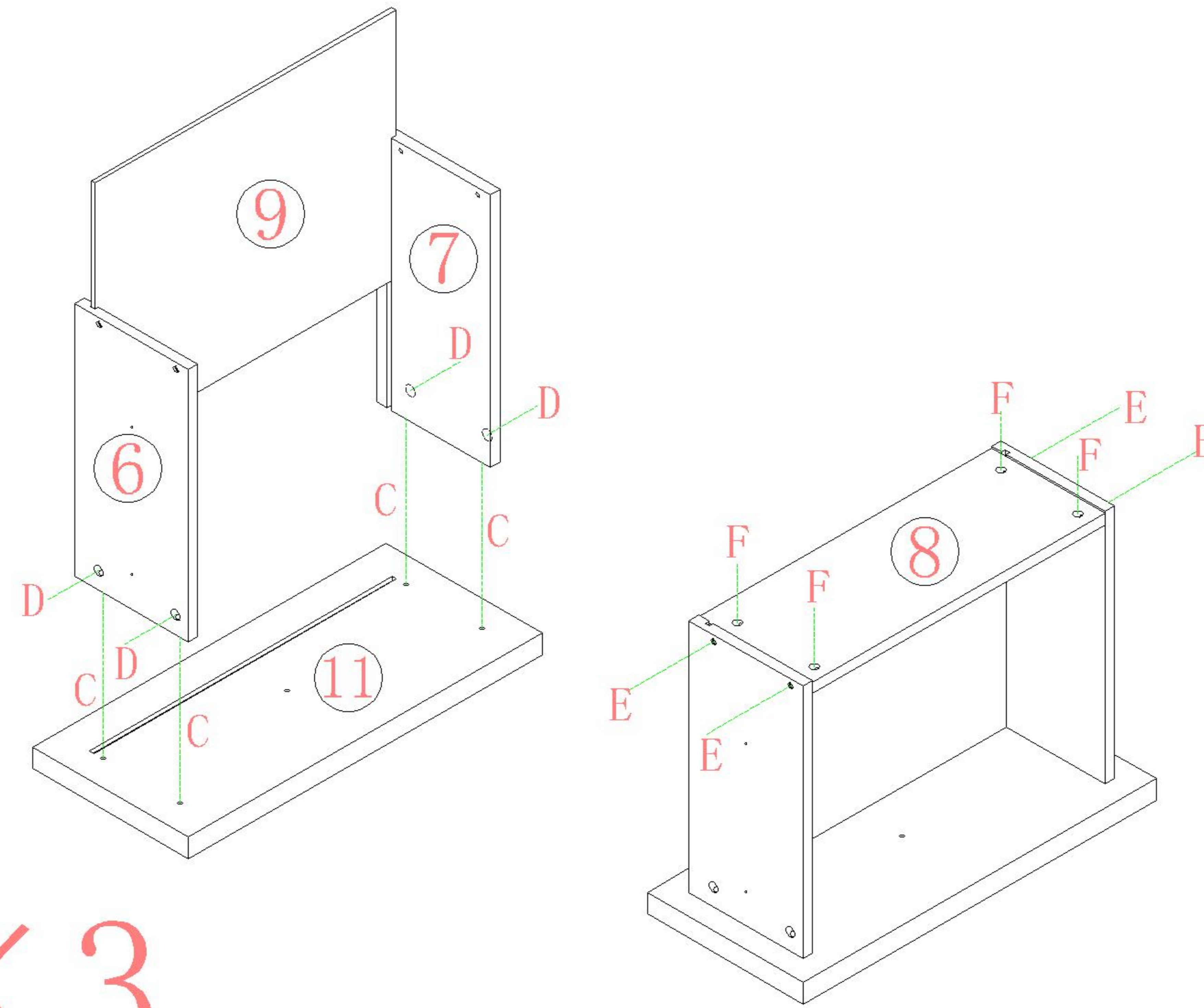


大二合一  
two-in-one



塑料螺母  
Plastic Nut

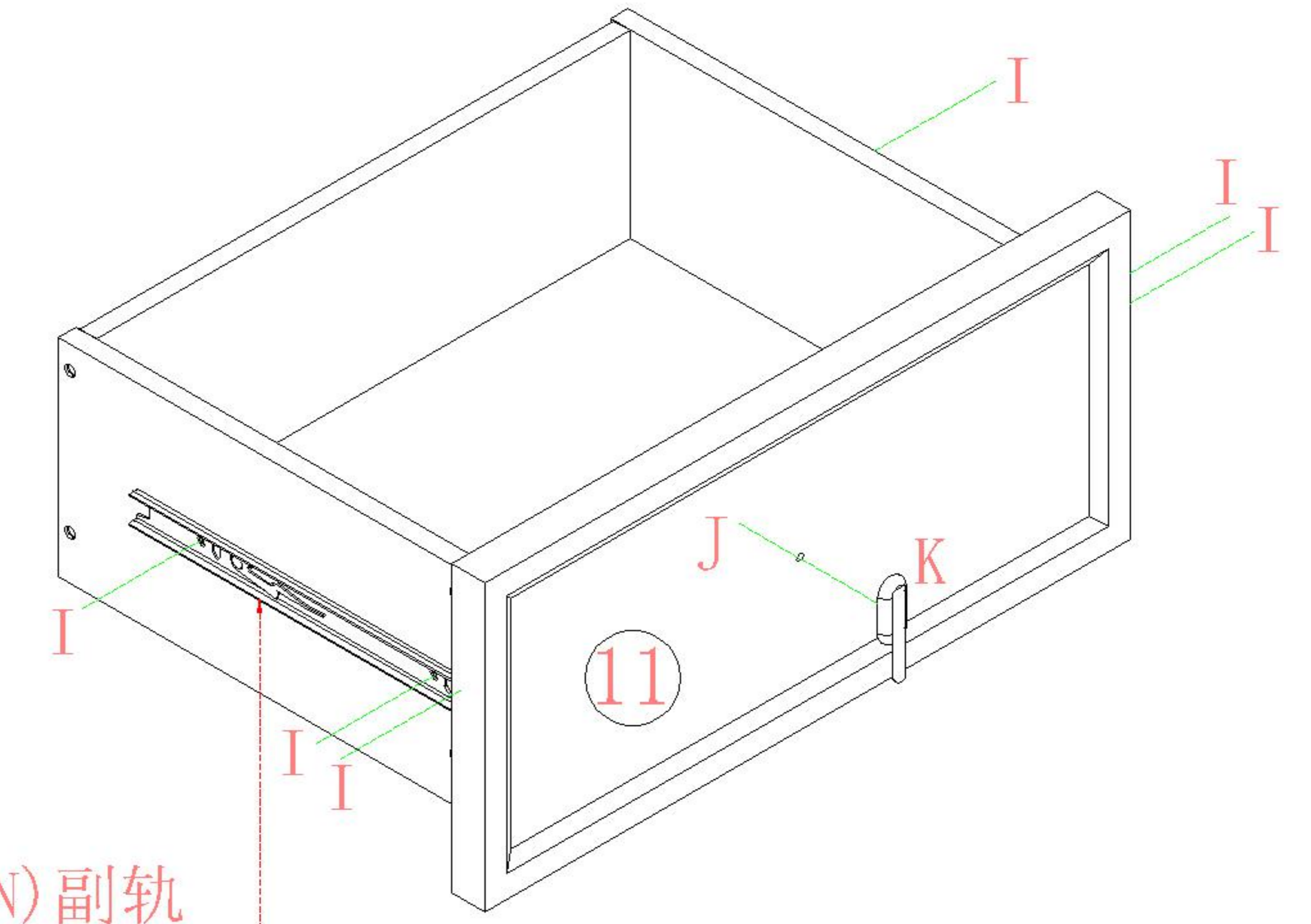
- (C)\*12
- (D)\*12
- (E)\*12
- (F)\*12



× 3

1

- (I)\*18
- (J)\*3
- (K)\*3
- (N)\*3

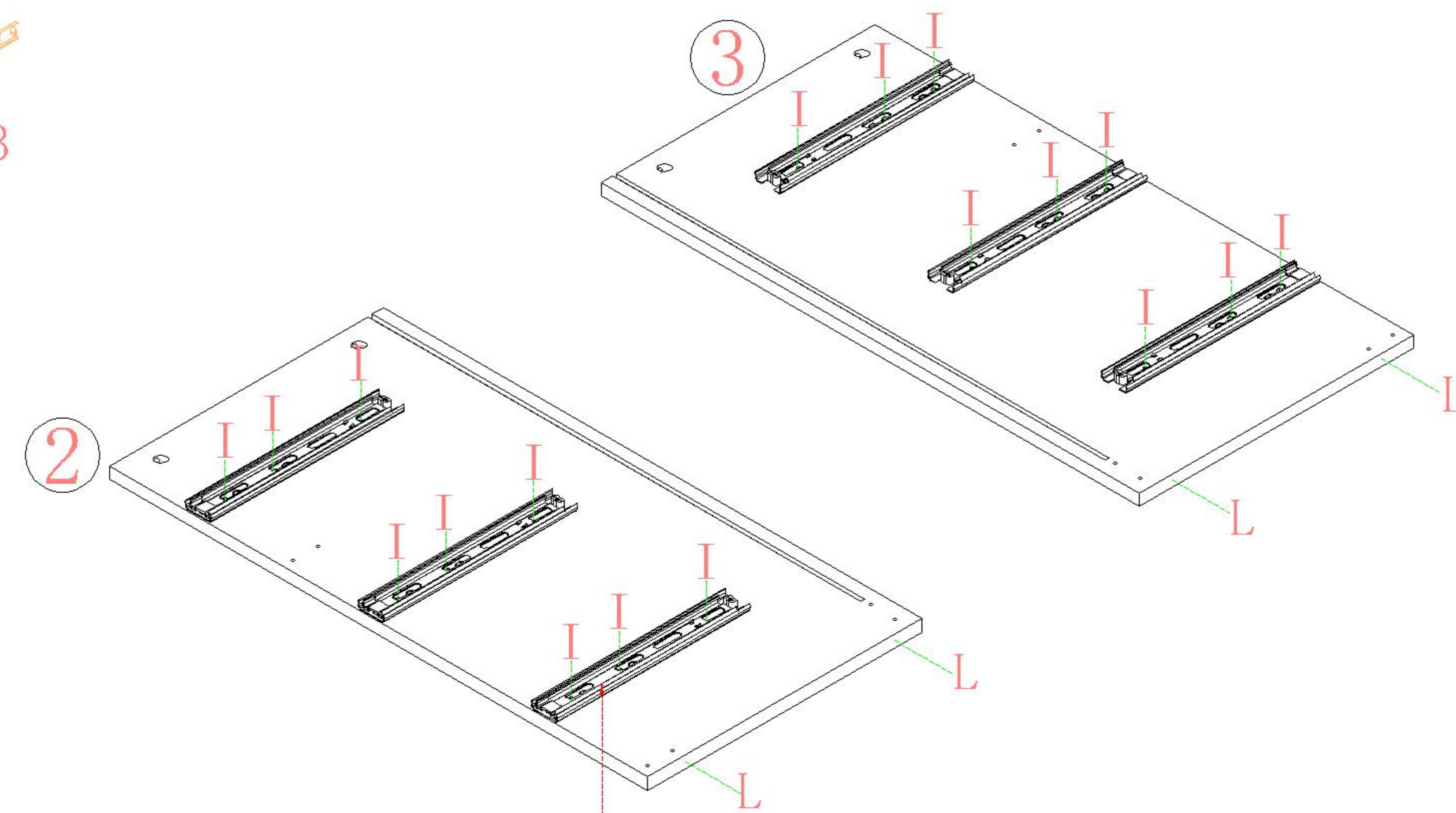


(N) 副轨  
Sub track

× 3

2

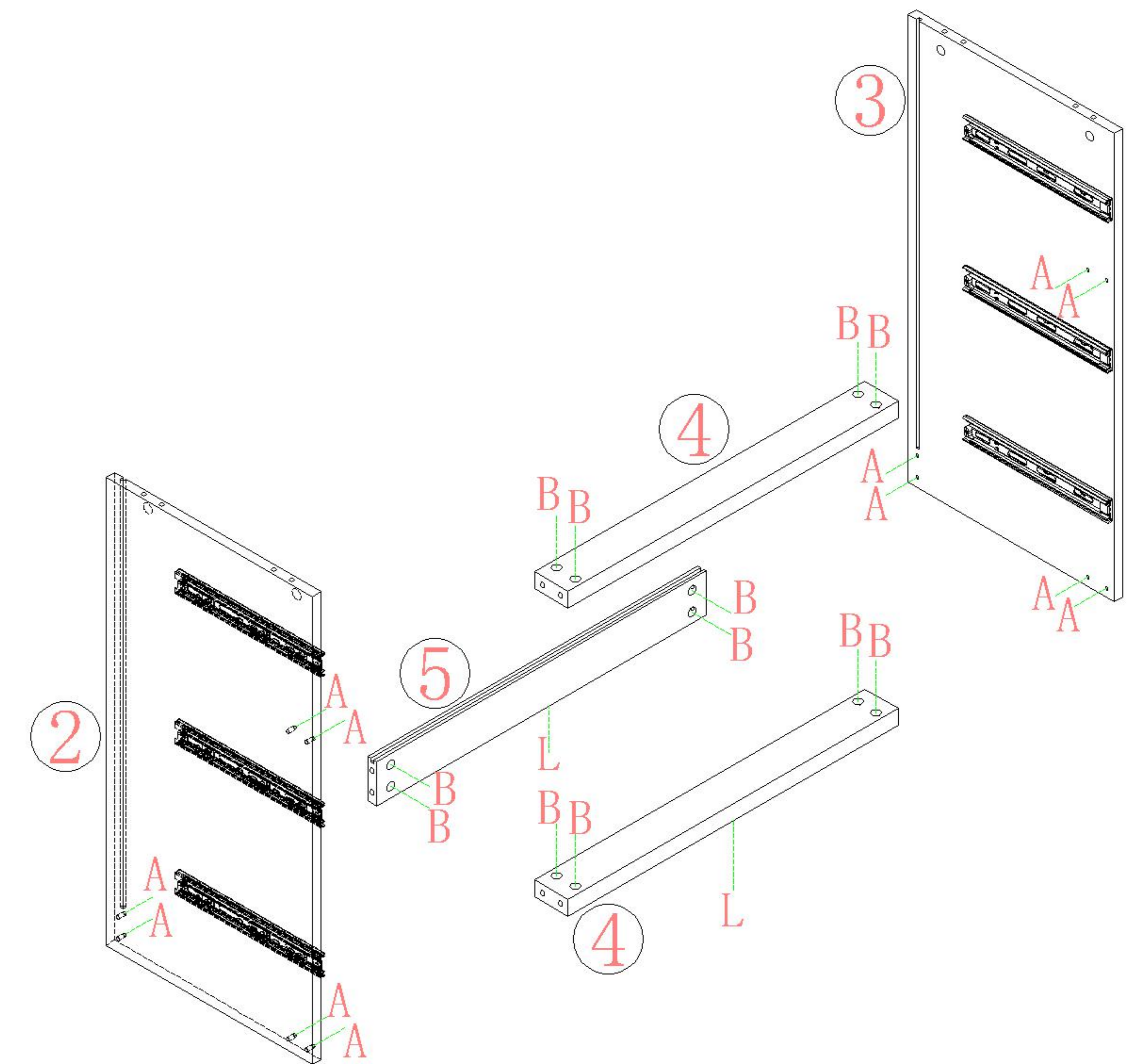
- (I)\*18
- (L)\*4
- (N)\*3



(N) 主轨  
Main rail

3

- (A)\*12
- (B)\*12
- (L)\*2



4

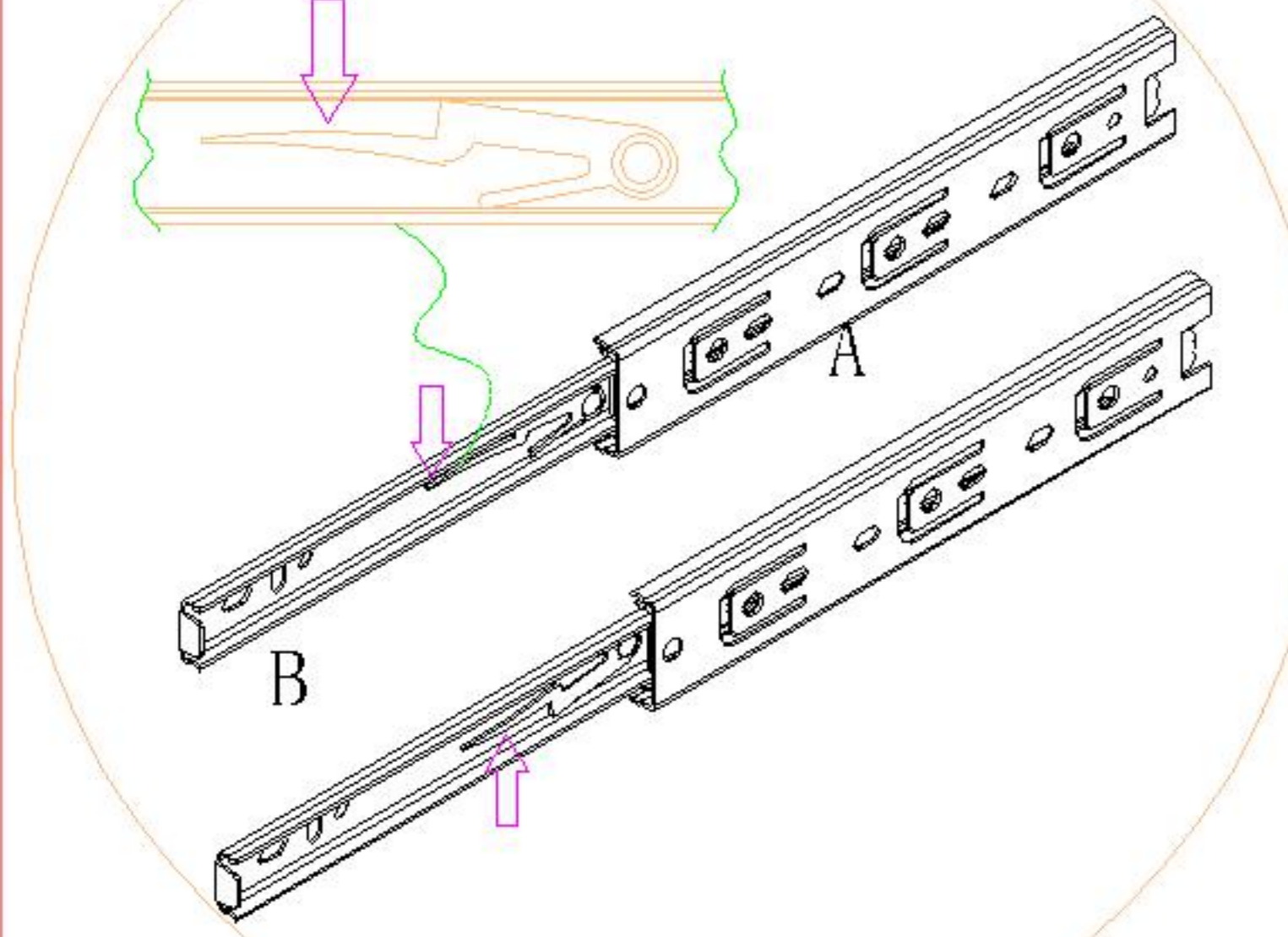


T01E-A

### 安装方法/ Installation method

阀门开关(下压为开)  
Valve switch  
(press down to open)

1

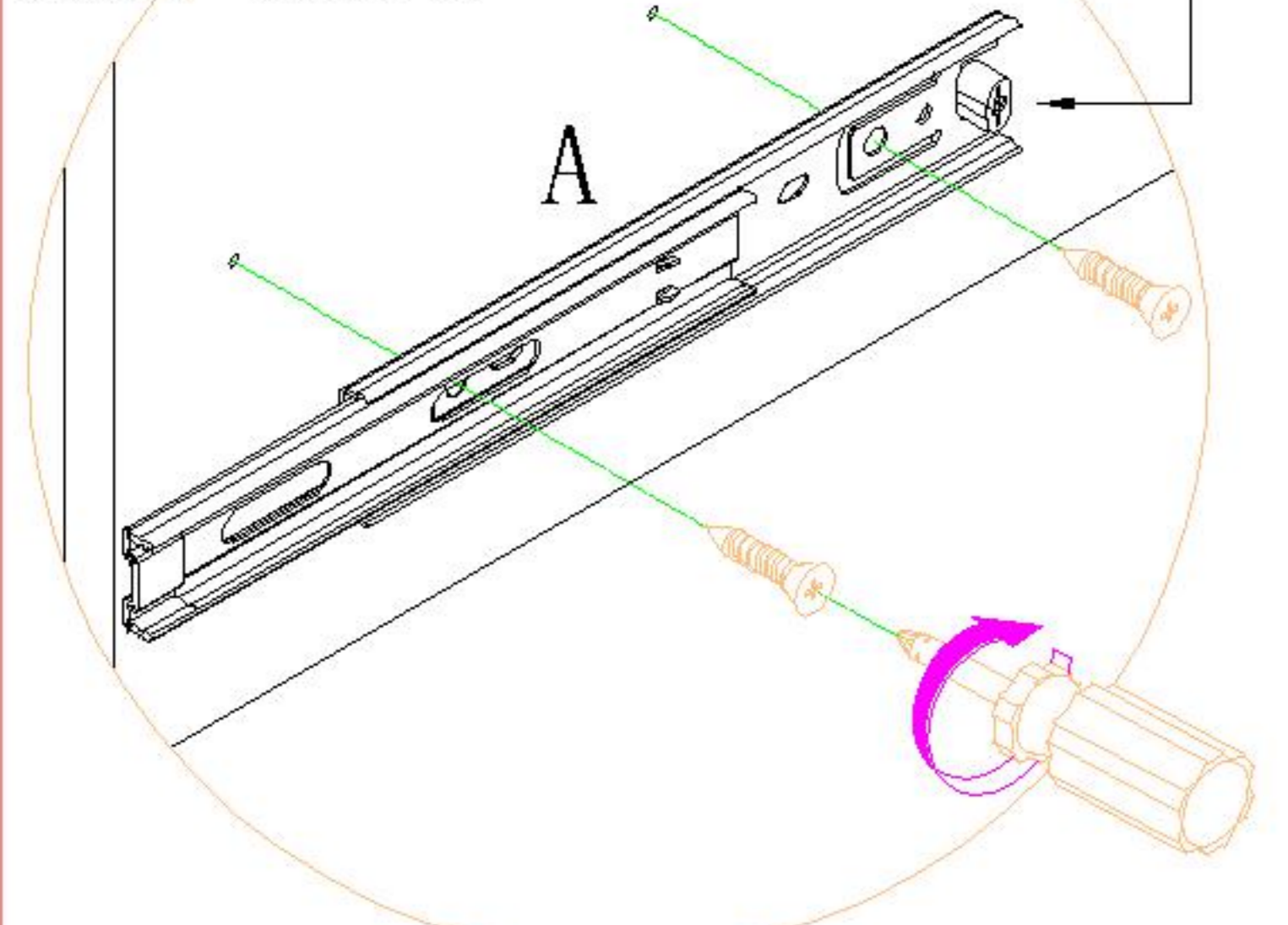


注: 先将A与B拆下来  
Note: remove a and B first

侧板  
side board

后after

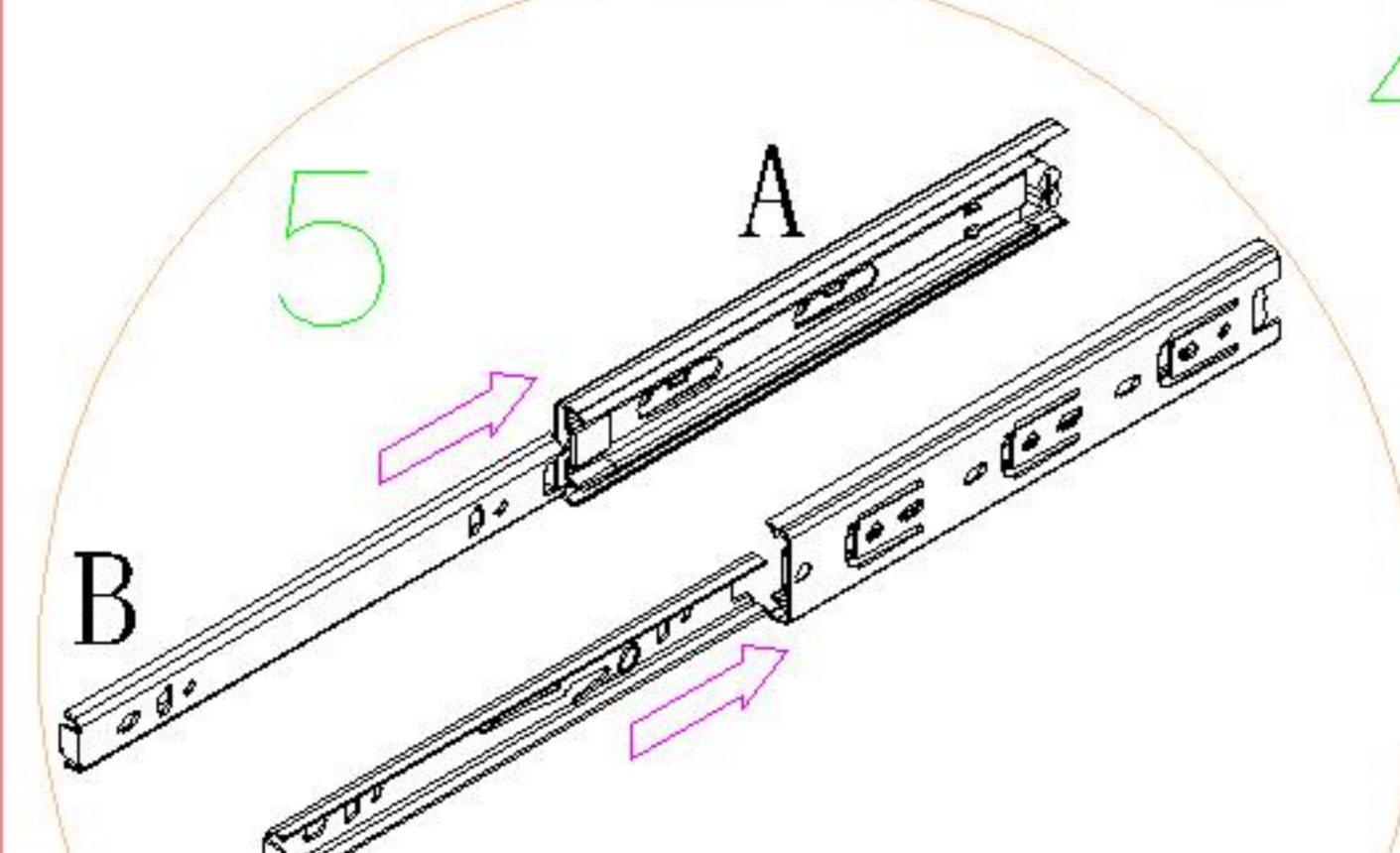
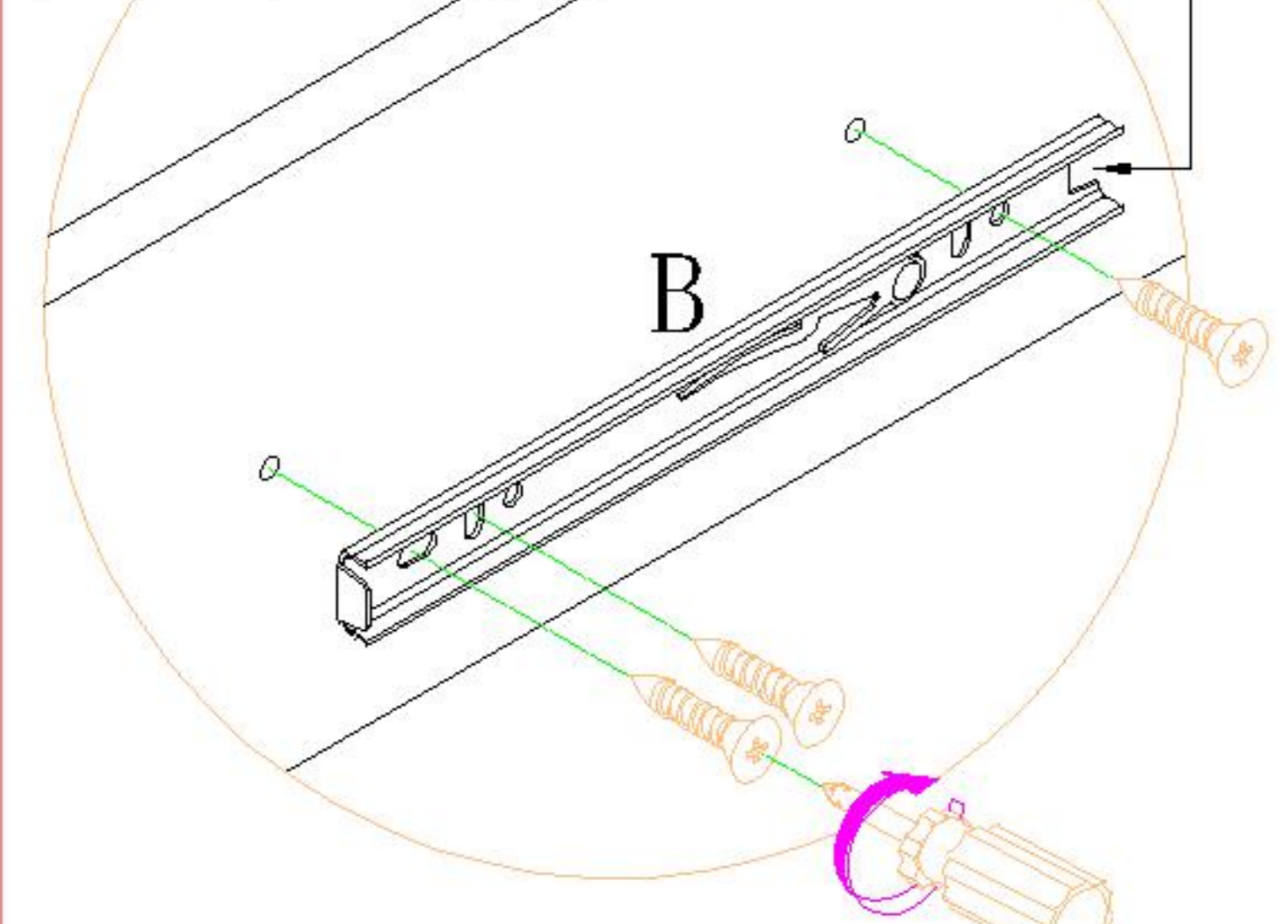
2



抽屉侧板  
sideboard  
of the drawer

后after

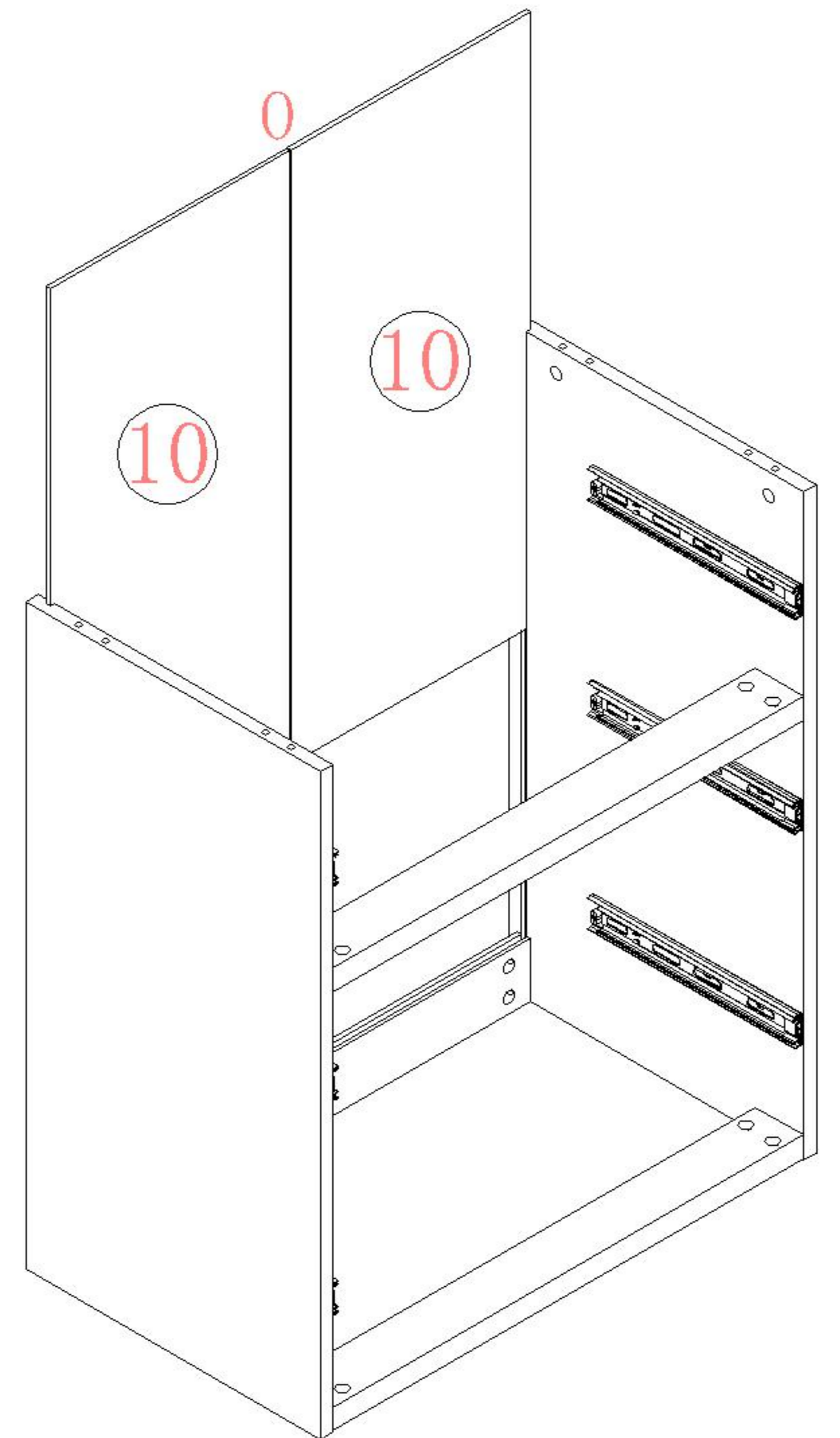
3



注: 将B对准A后推进去  
Note: align B with a  
and push it in

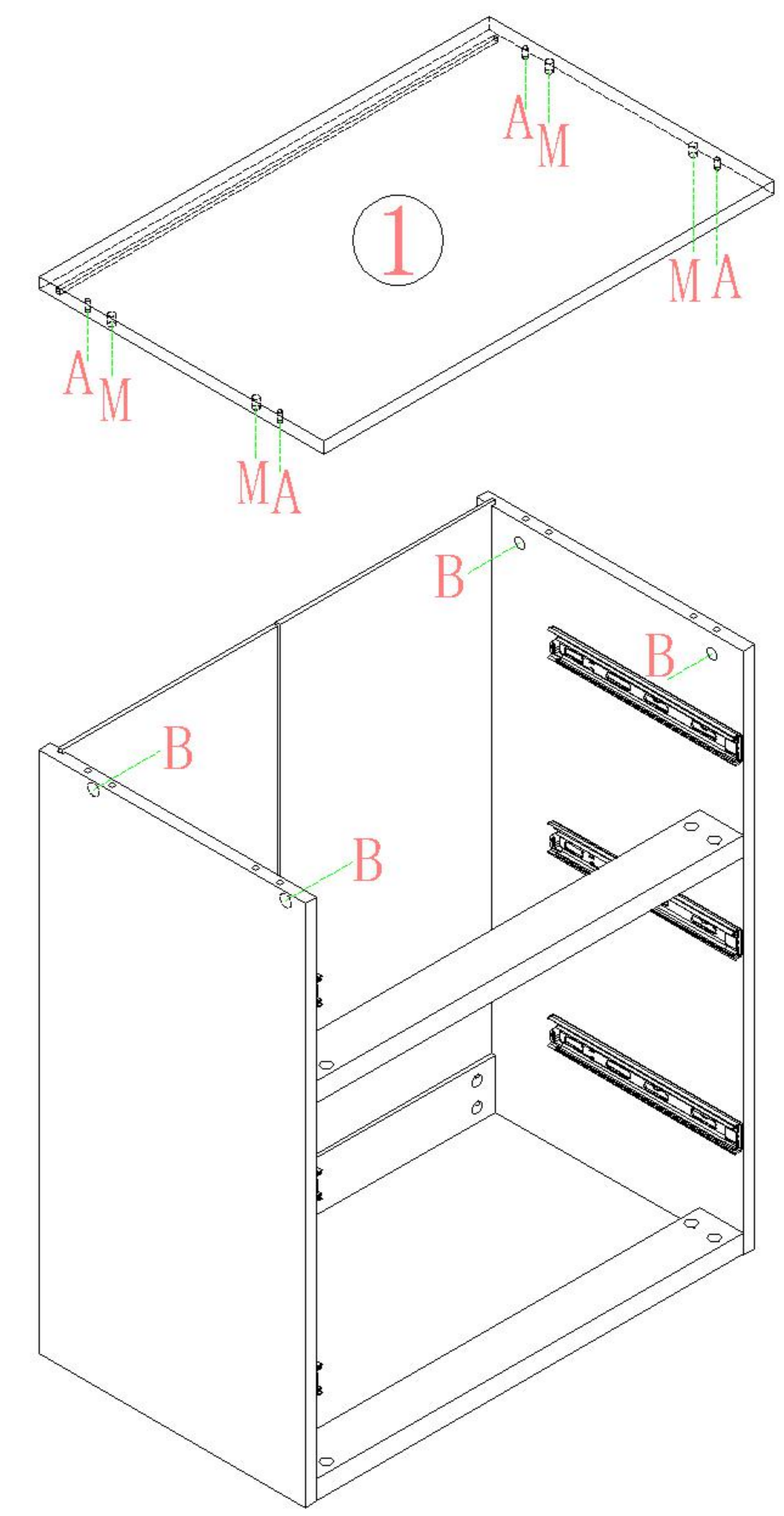
三节滚珠导轨  
three-section ball rail

(O)\*1



5

- (A)\*4
- (B)\*4
- (M)\*4

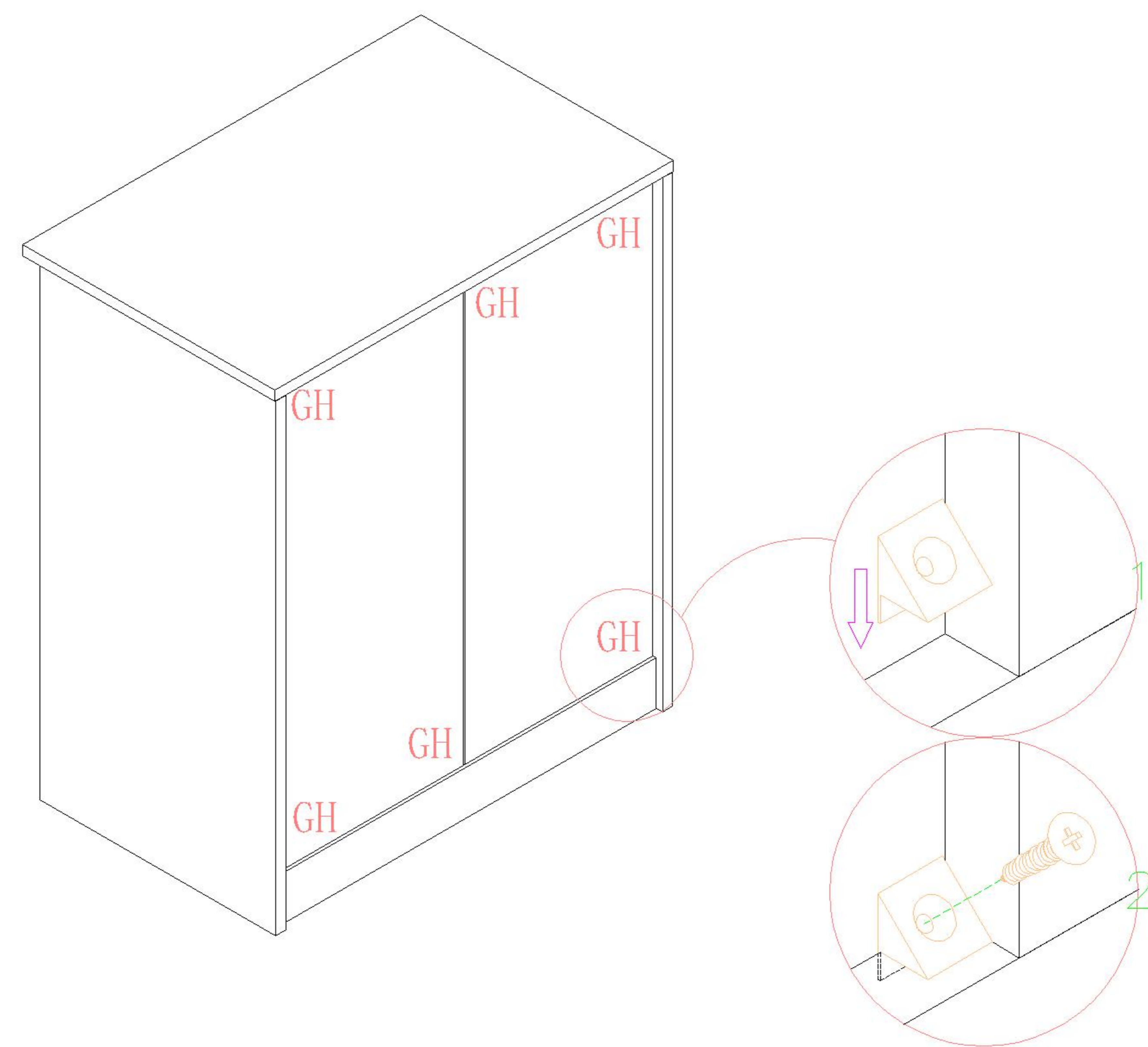


6

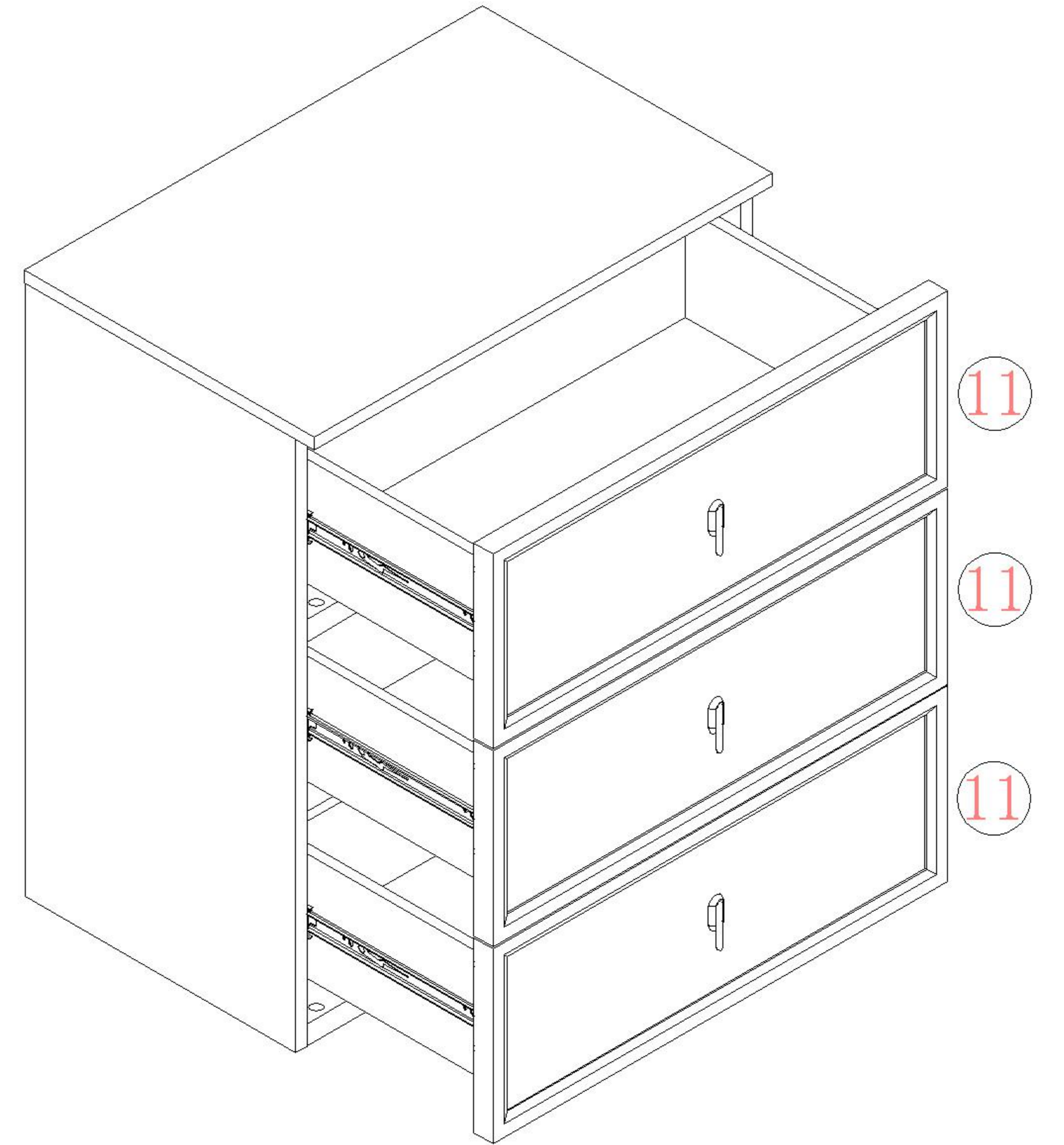
(G)\*6

(H)\*6

7

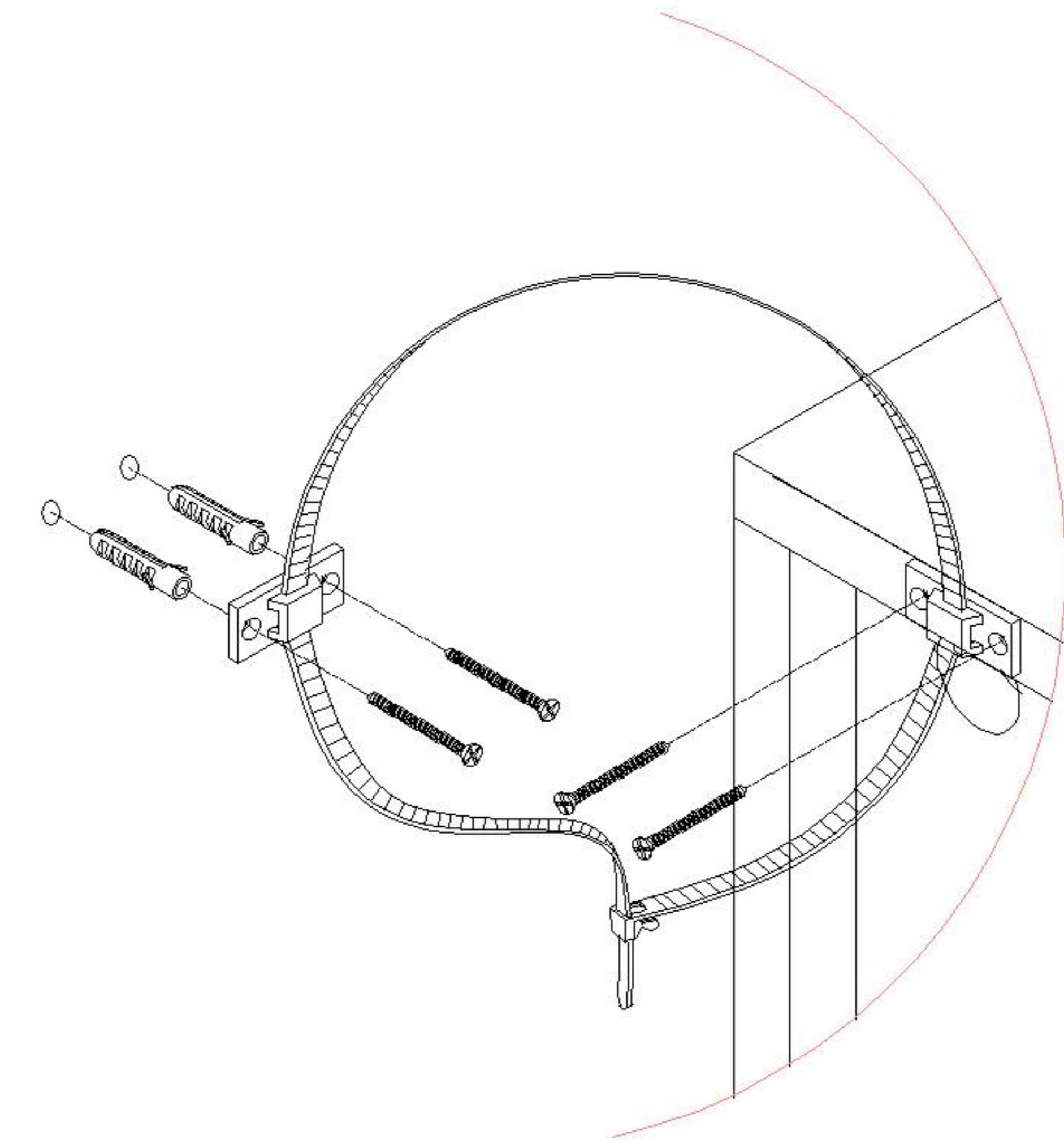


8

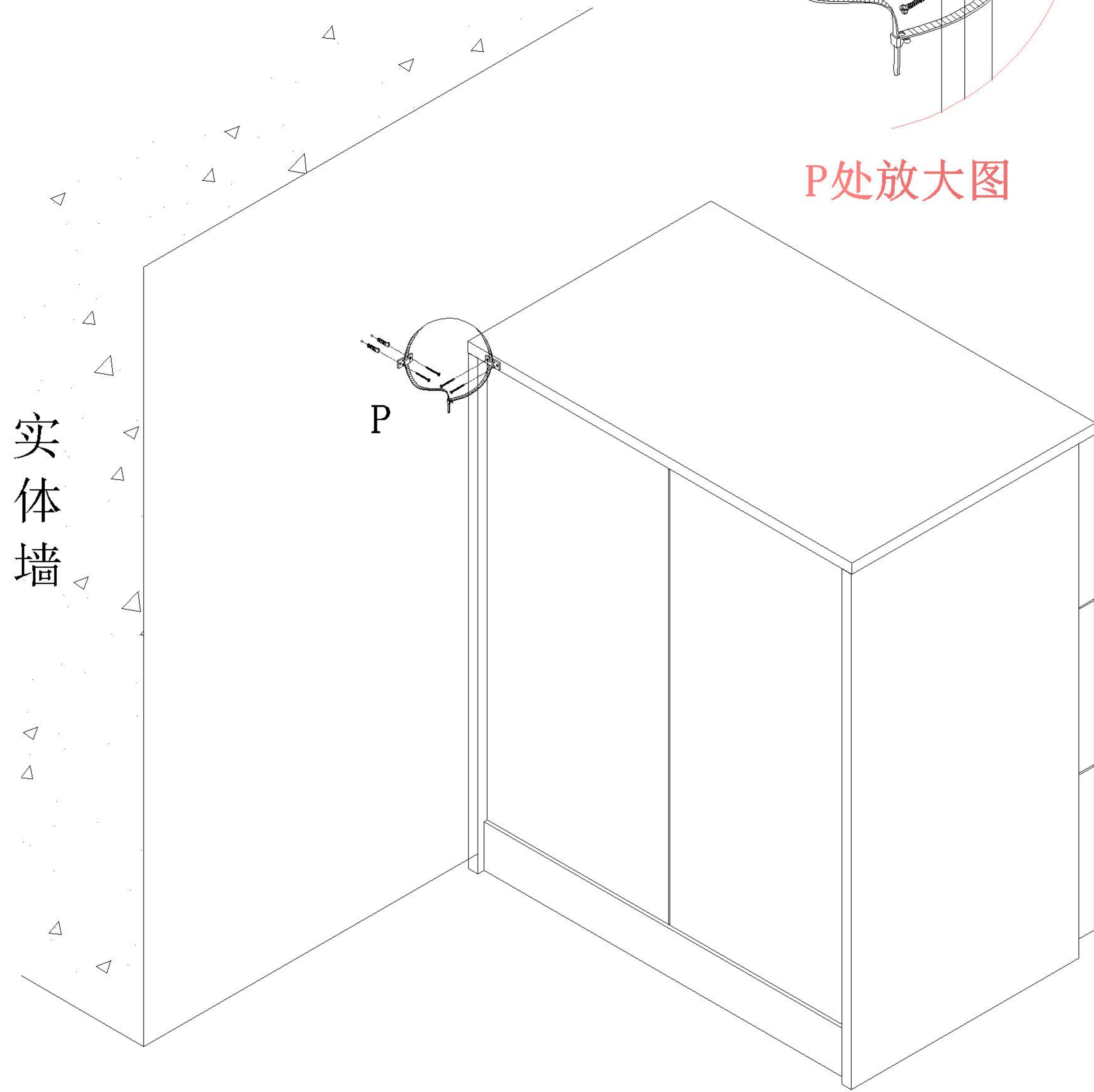




(P)\*1



P处放大图



实体墙

