

# LINSY 林氏家居

## 五金表/Hardware list

## 部件表/Parts List

### 安装示意图/Assembly Instruction

产品名称 Model NO.

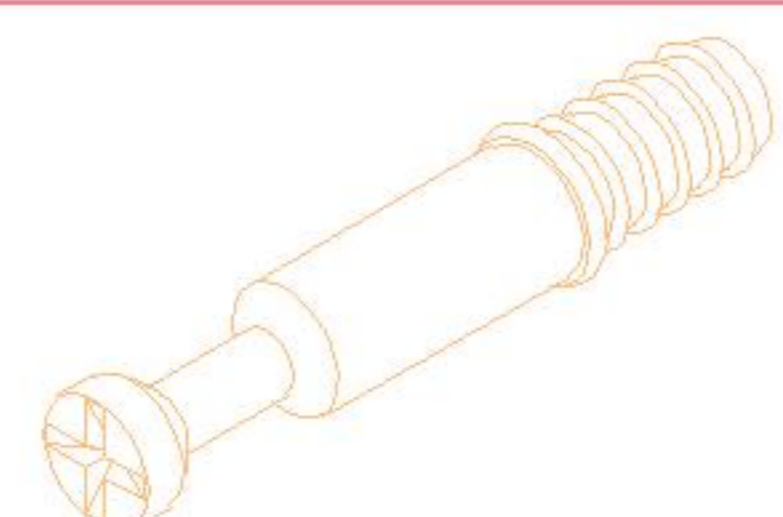
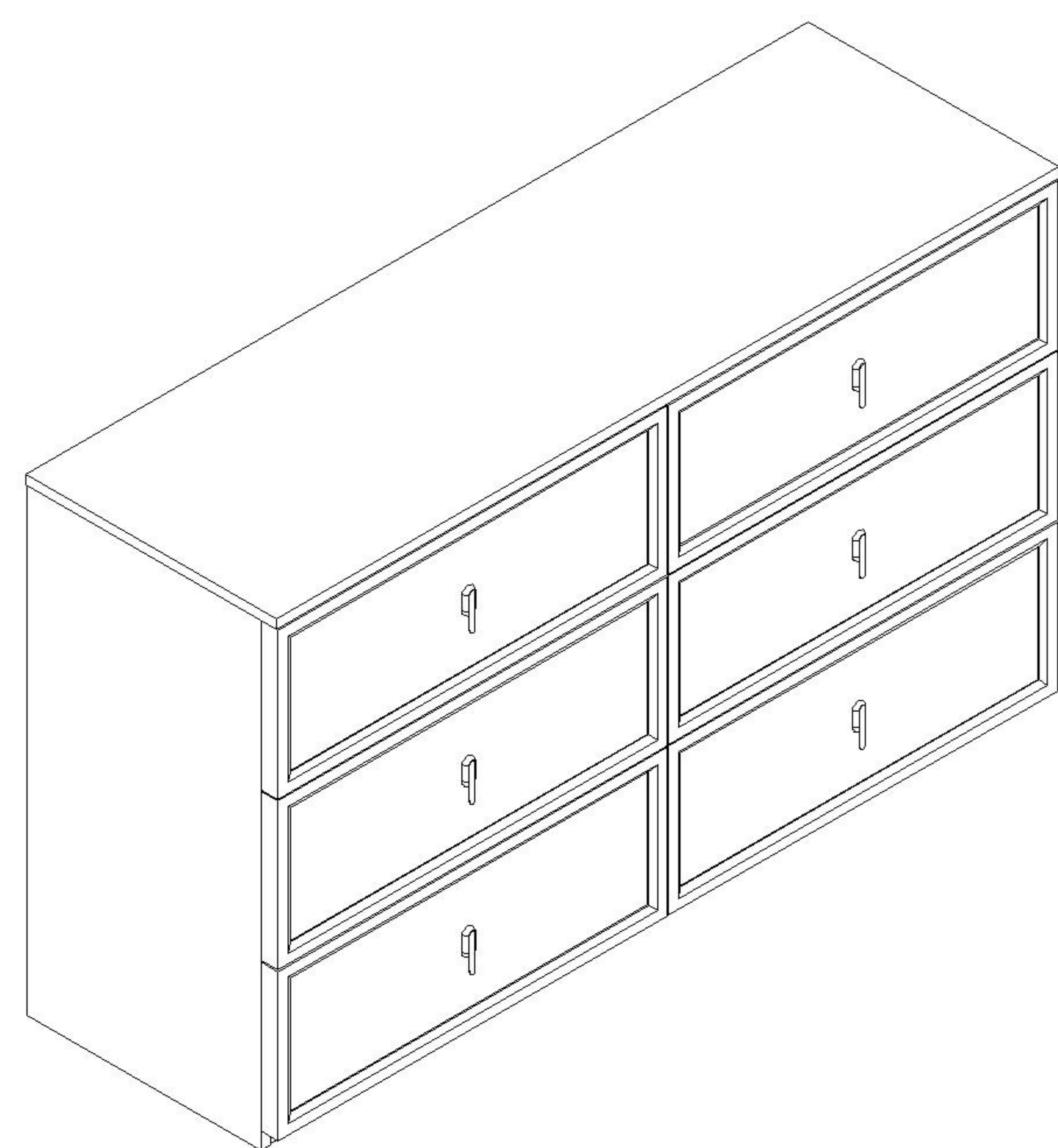
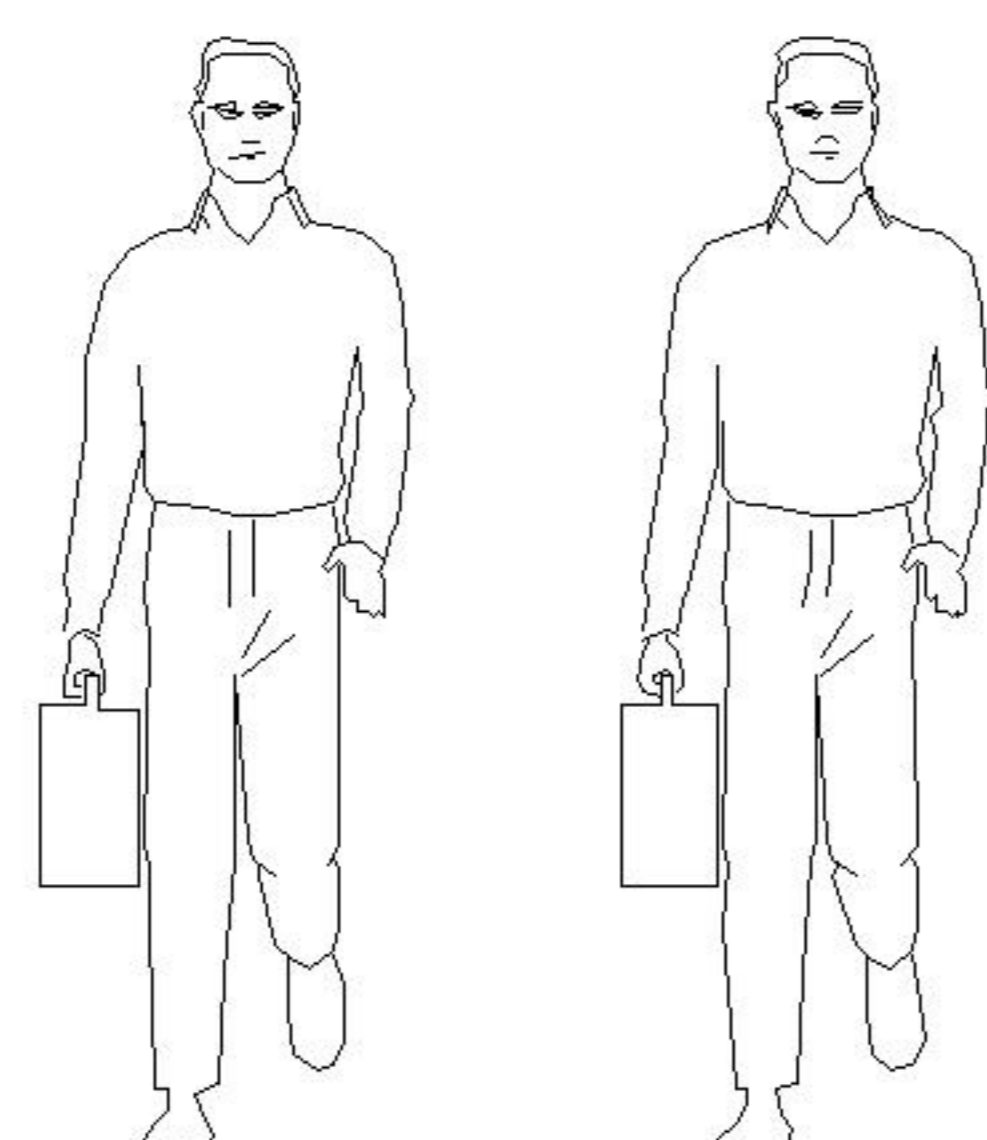
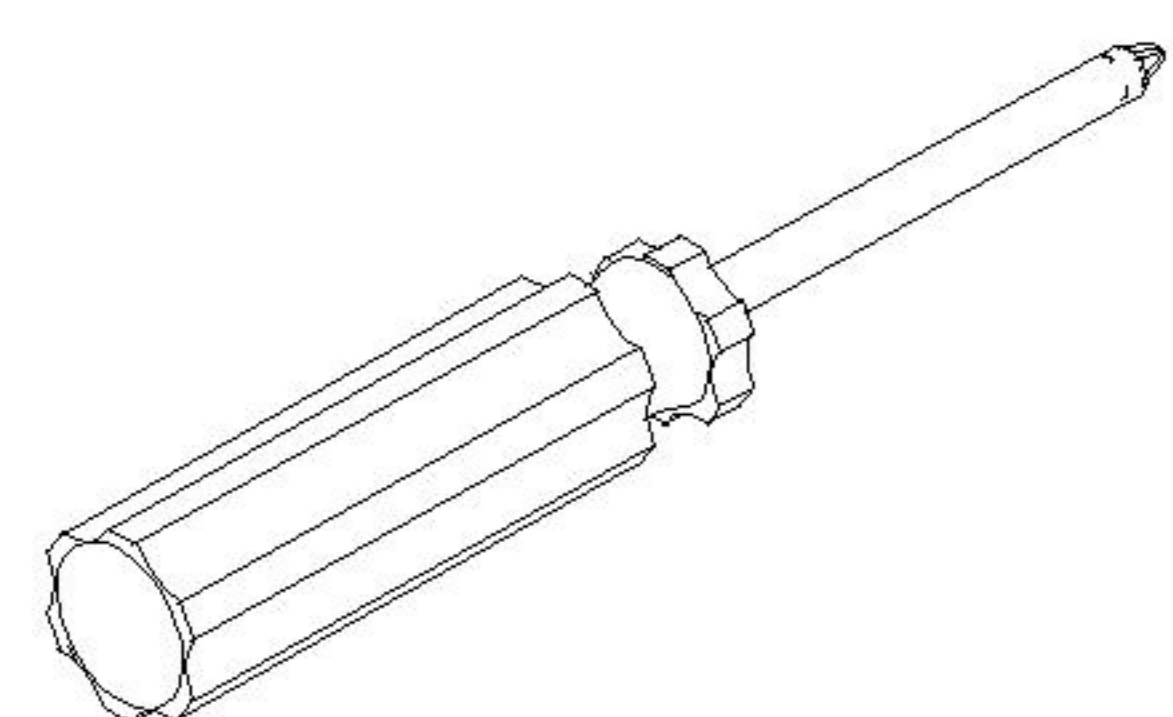
T02E-A

产品规格 Specification

1186\*388\*715 mm

安装工具 Tool

安装人数 Installer



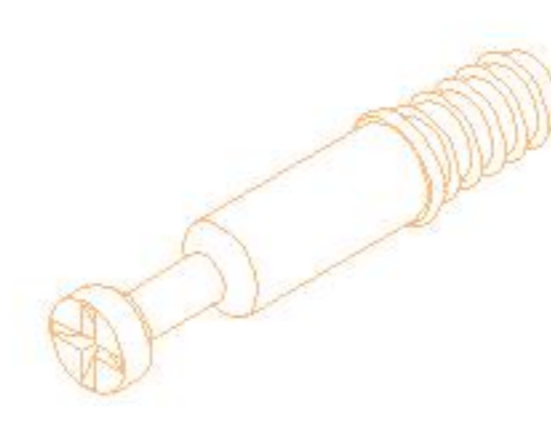
(A) \* 21

二合一螺杆(35mm)  
2-in-1-screw



(B) \* 25

大三合一锁饼(15mm)  
Three-in-one large lock



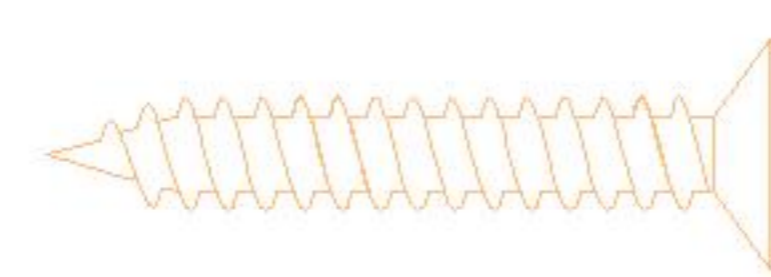
(C) \* 25

小二合一杆7\*28  
small two-in-one rod



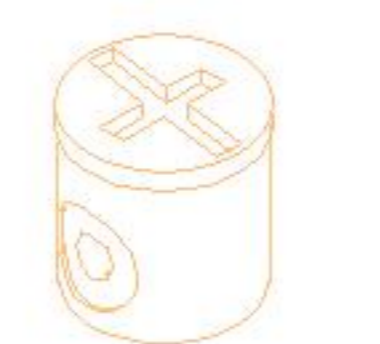
(D) \* 25

小三合一锁饼(13mm)  
small three-in-one lock



(E) \* 25

自攻螺丝M4x40mm  
Self-tapping screw



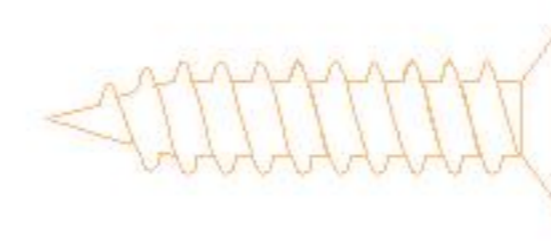
(F) \* 25

塑料螺母  
Plastic Nut



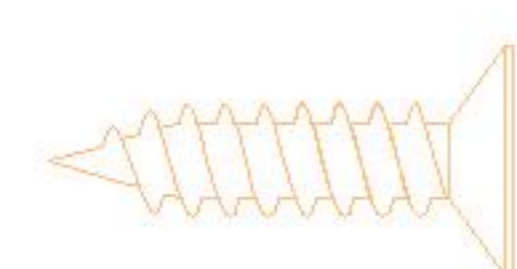
(G) \* 2

双头三合一螺杆64  
double-head three-in-one screw



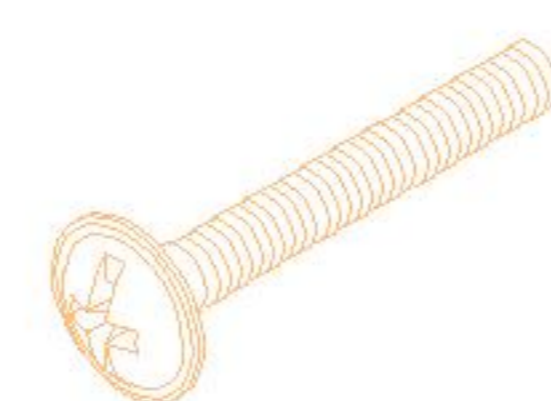
(H) \* 11

自攻螺丝M3.5x16mm  
Self-tapping screw



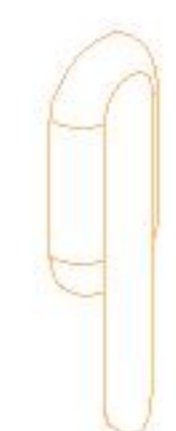
(I) \* 76

自攻螺丝M3.5x12mm  
Self-tapping screw



(J) \* 6

拉手螺丝-M4x22mm  
pulling screw



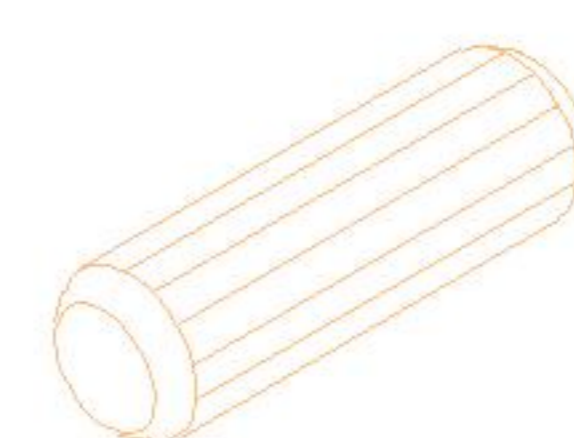
(K) \* 6

香槟金一字型拉手  
pulling screw



(L) \* 8

脚垫-灰色  
Footrest - Grey



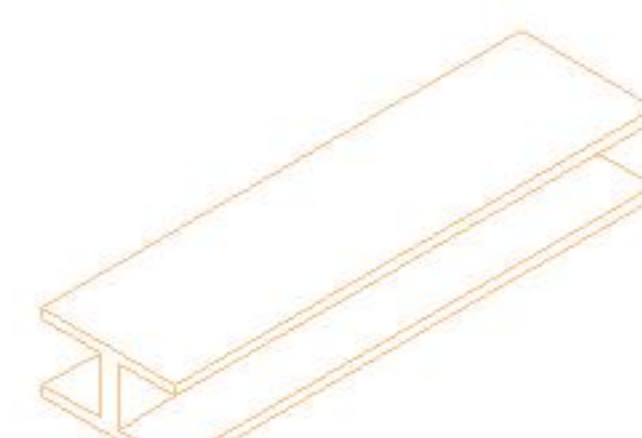
(M) \* 6

木榫Ø8x30mm  
wood tenon



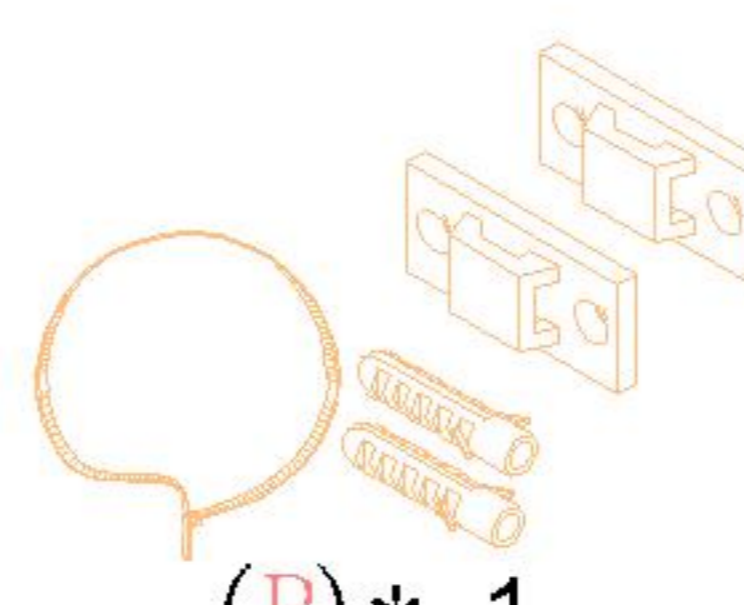
(N) \* 6

三节滚珠导轨-10"  
three-section ball rail



(O) \* 1

背板槽-白色L-1152  
Backplane slot - white



(P) \* 1

家具防倒器-白色  
Anti-fall device white



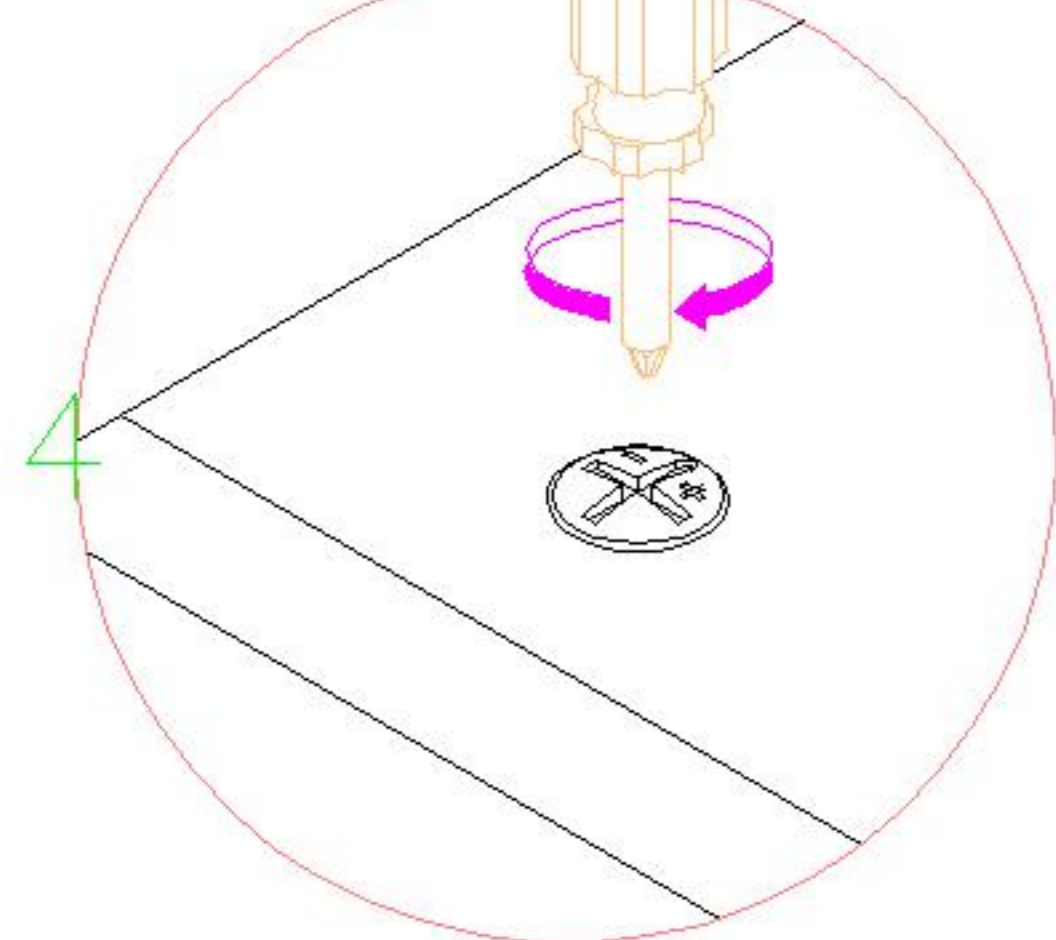
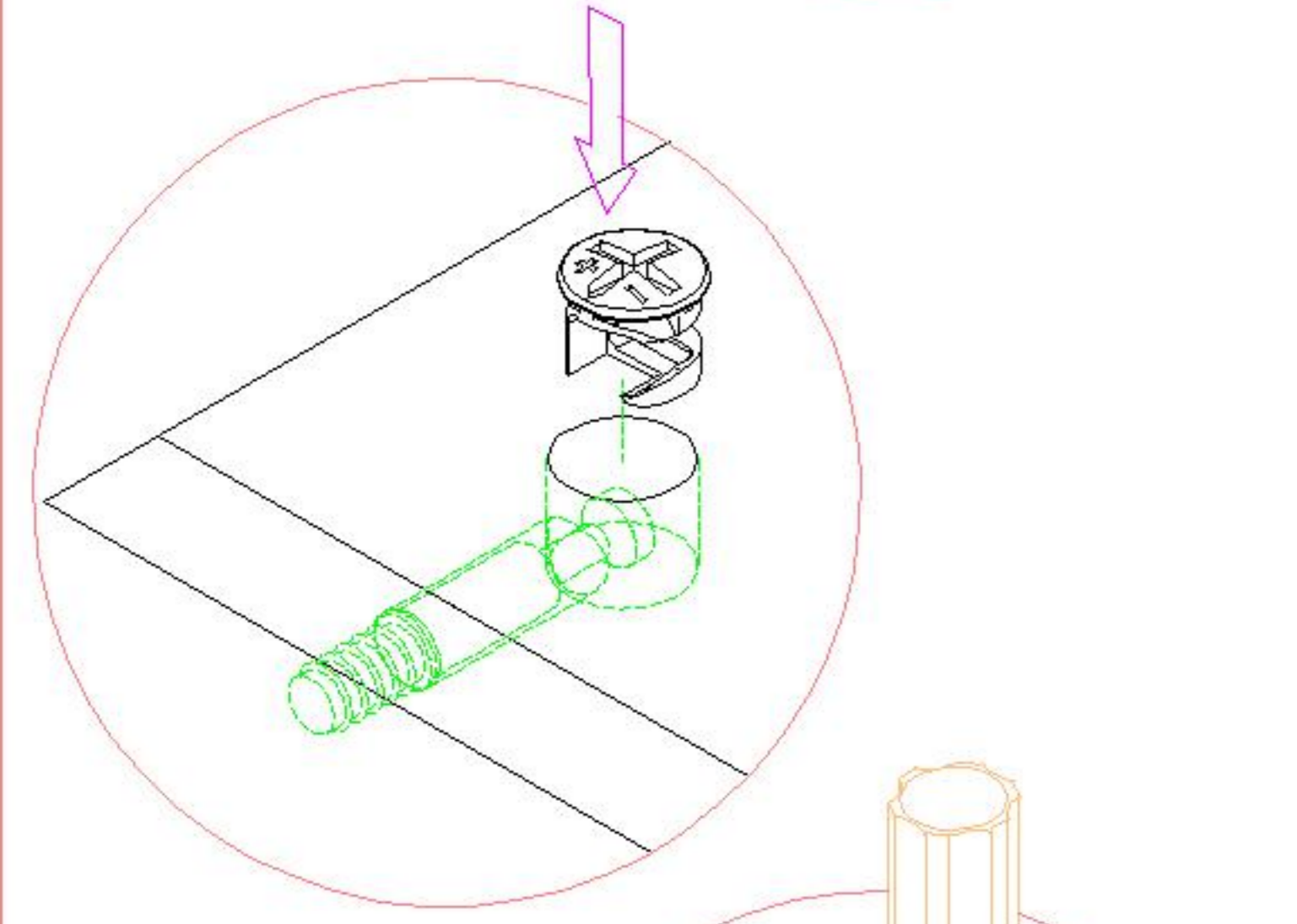
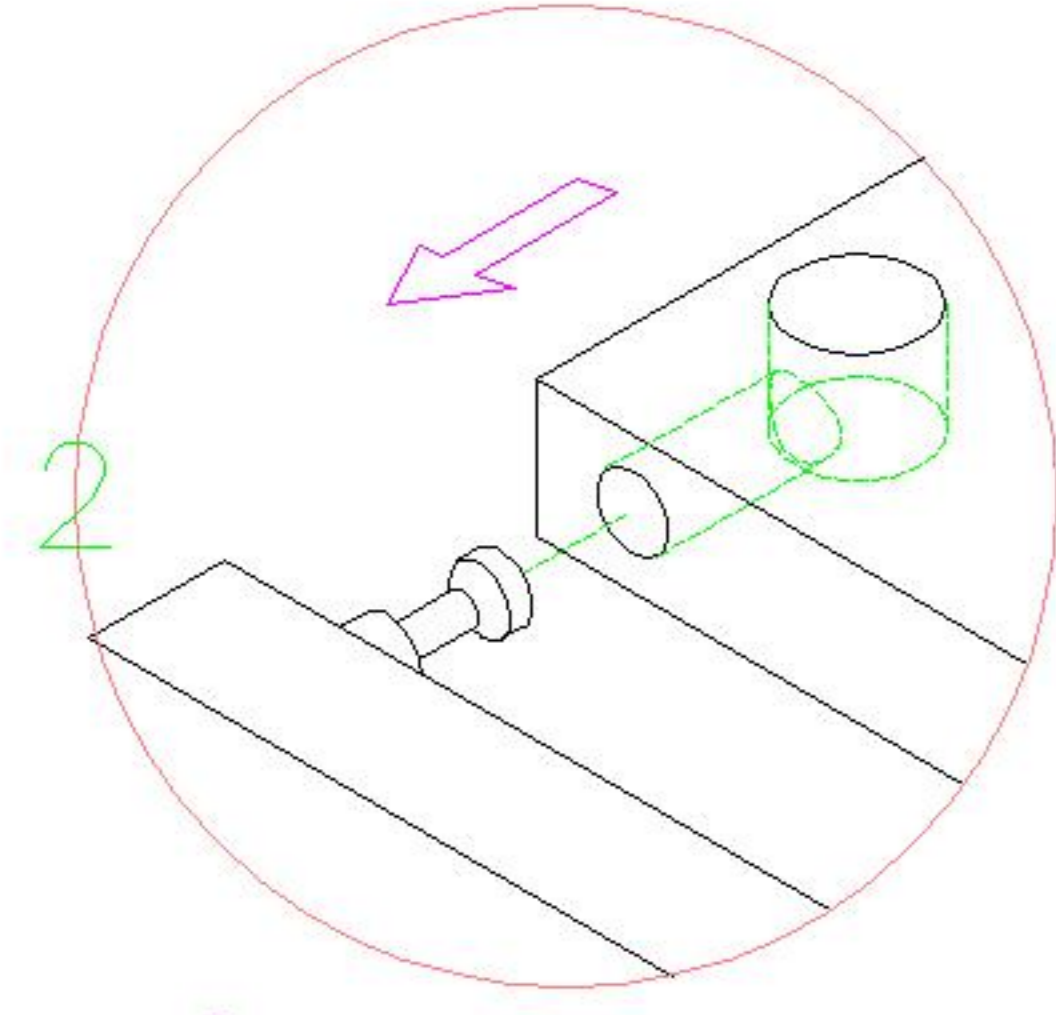
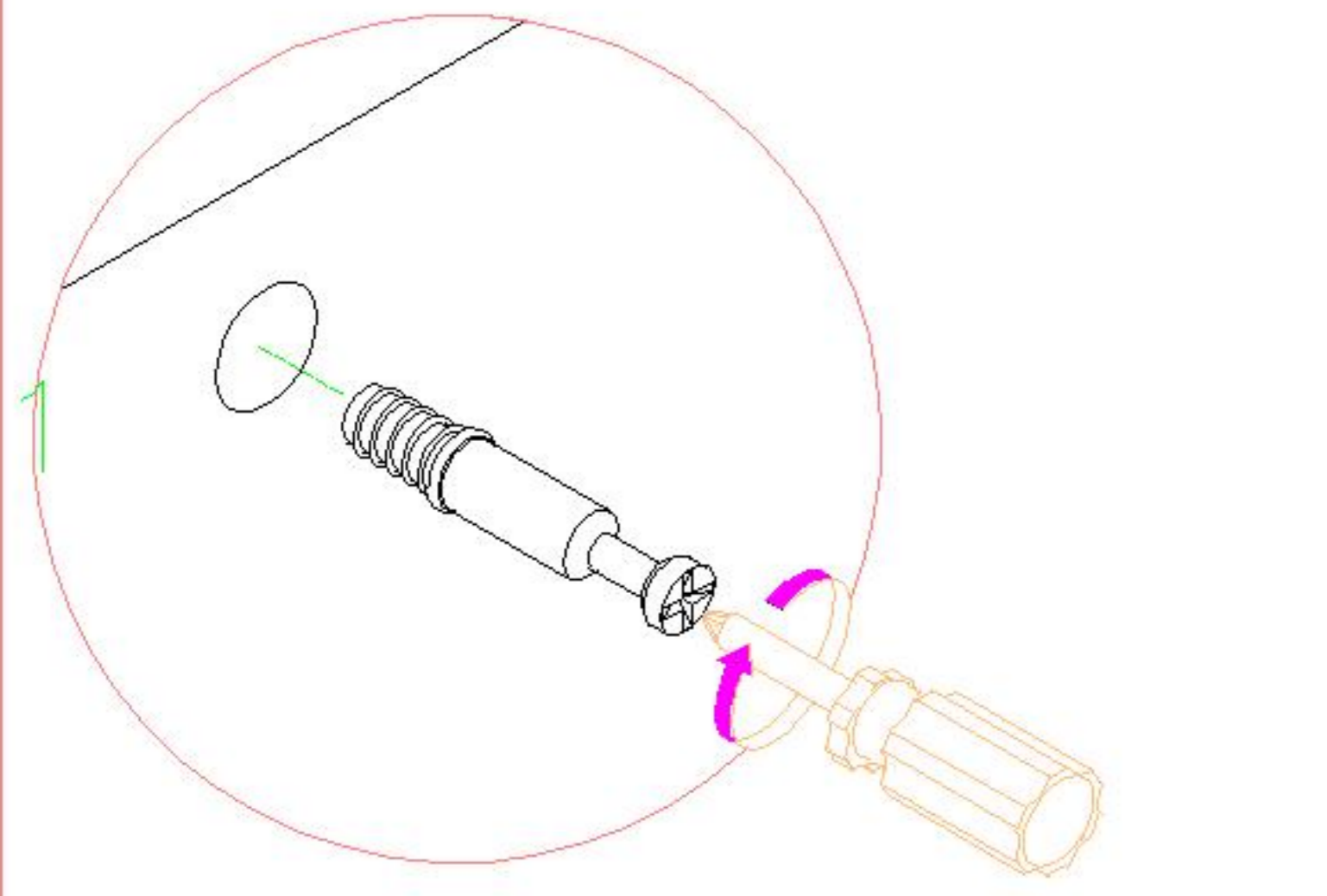
(Q) \* 11

背板扣  
Back Plate Buckle-White

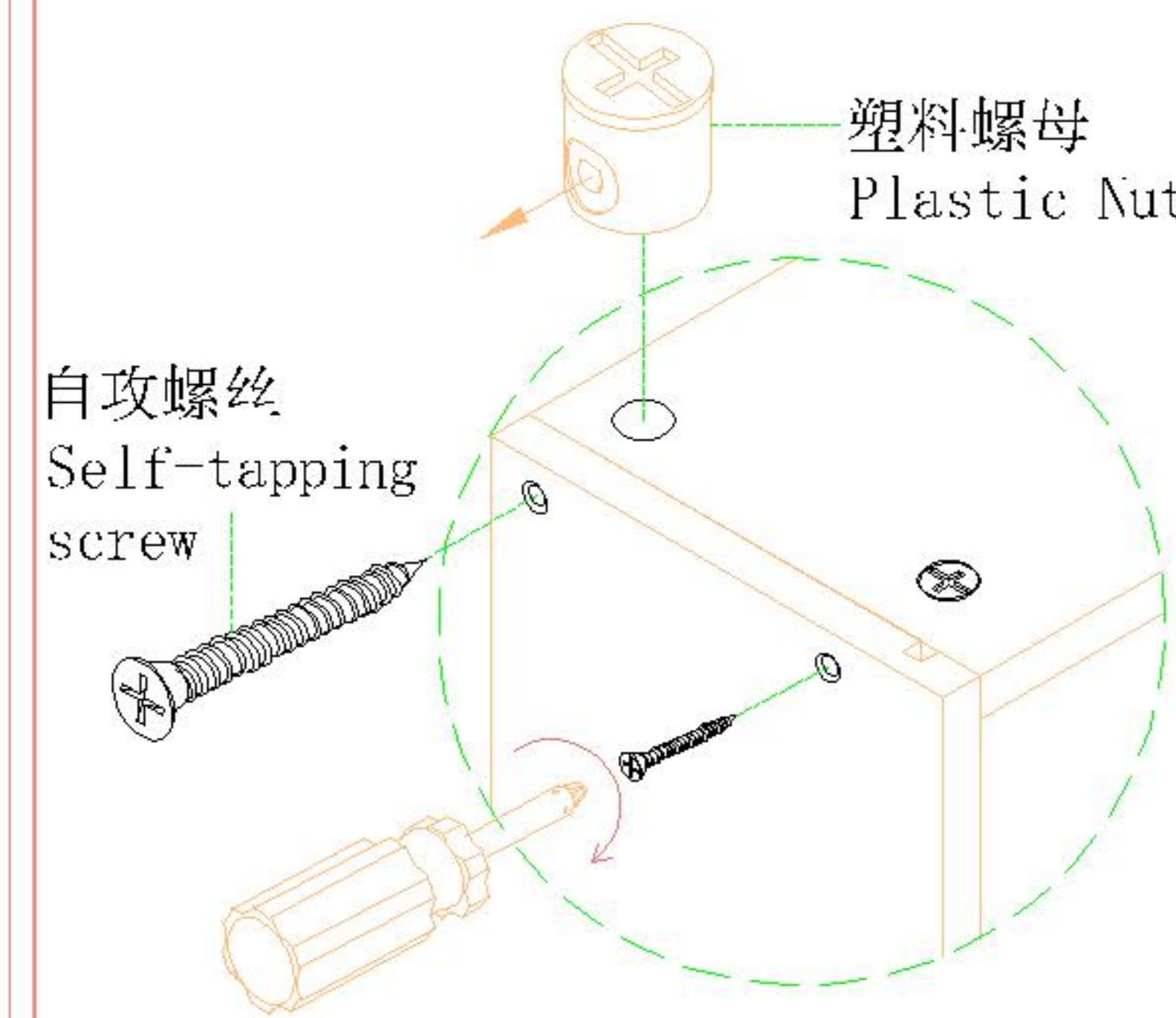
编号NO.	名称Name	规格 (mm) Specification	数量QTY	材质Material
①	面板Top panel	1186*380*15	1	三胺板 Melamine
②	左侧板Side board (L)	697*355*15	1	三胺板 Melamine
③	右侧板Side board (R)	697*355*15	1	三胺板 Melamine
④	中侧板Middle side board	671*333*15	1	三胺板 Melamine
⑤	中拉条Brace	569.5*58*25	2	三胺板 Melamine
⑥	前拉条Front brace	1154*58*25	1	三胺板 Melamine
⑦	后拉条Back brace	1154*58*25	1	三胺板 Melamine
⑧	抽屉左侧板Drawer's side board (L)	295*142*12	6	三胺板 Melamine
⑨	抽屉右侧板Drawer's side board (R)	295*142*12	6	三胺板 Melamine
⑩	抽屉后板Drawer's Back board	520*142*12	6	三胺板 Melamine
⑪	抽屉底板Drawer's Bottom board	530*291*5	6	三胺板 Melamine
⑫	背板Back board	1164*340*5	2	三胺板 Melamine
⑬	左抽屉面板Drawer's panel (L)	590*222*23	3	三胺板 Melamine
⑭	右抽屉面板Drawer's panel (R)	590*222*23	3	三胺板 Melamine

T02E-A

安装方法/  
Installation method

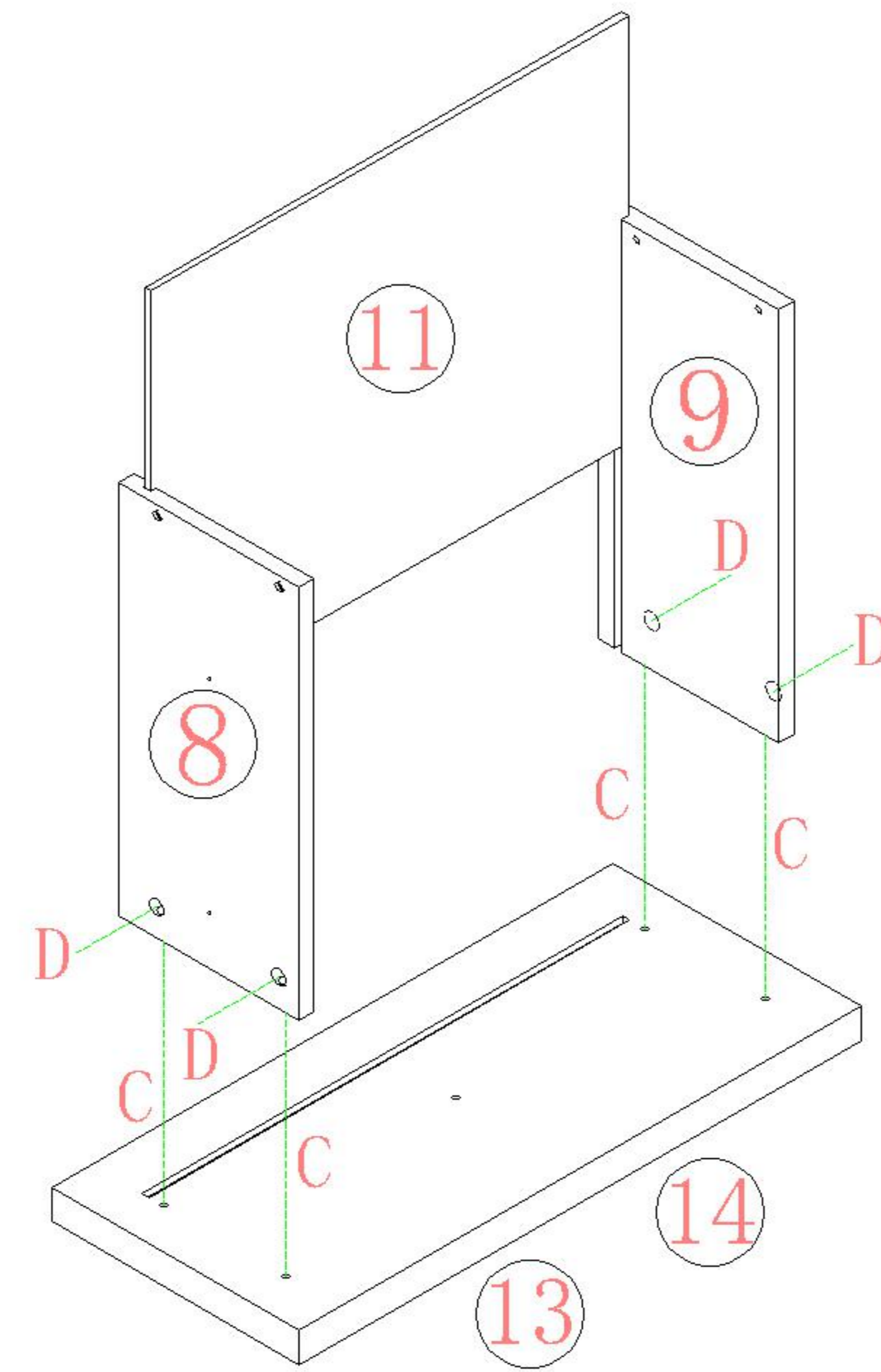


小二合一  
small two-in-one

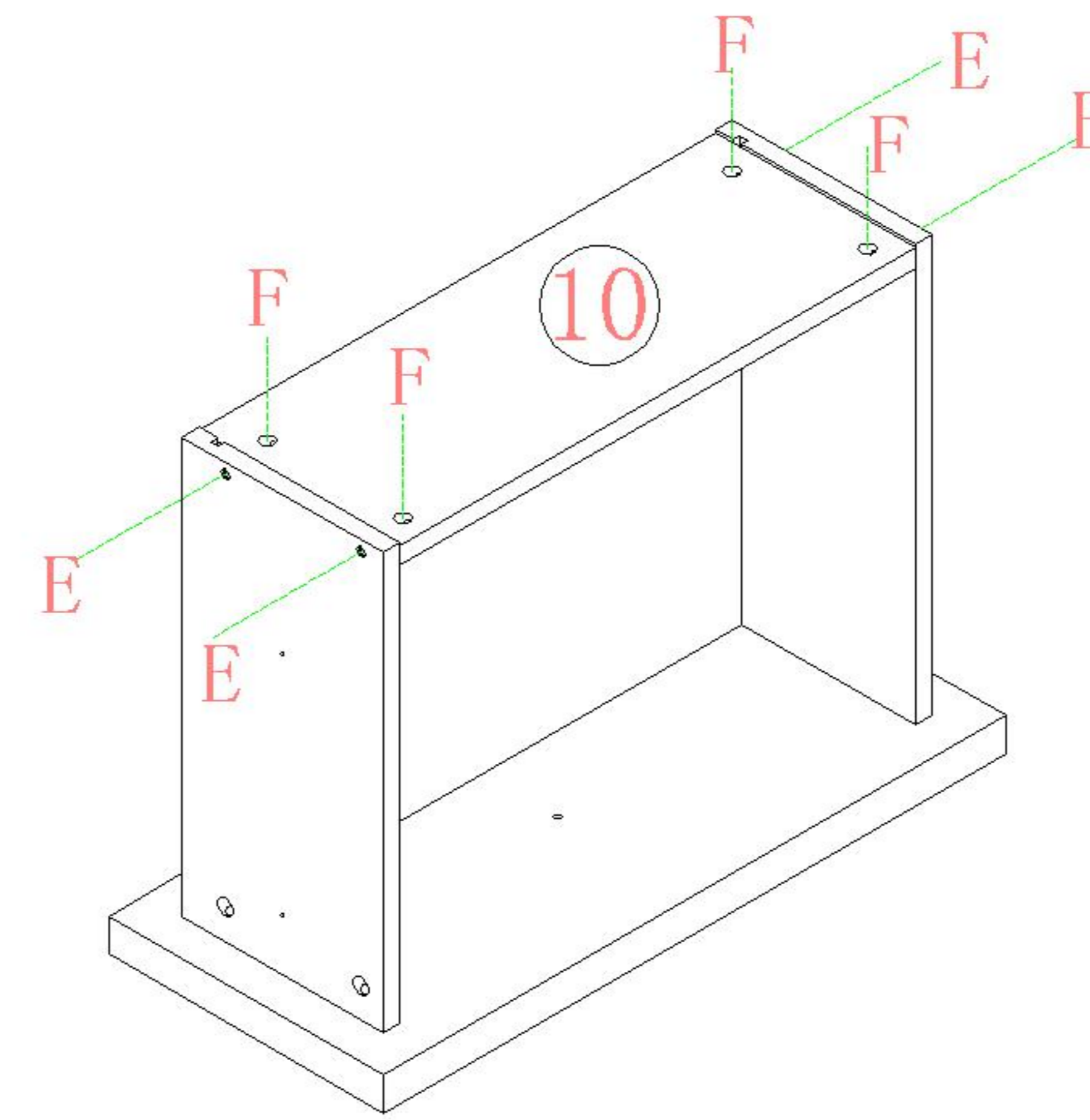


塑料螺母  
Plastic Nut

- (C) \*24
- (D) \*24
- (E) \*24
- (F) \*24

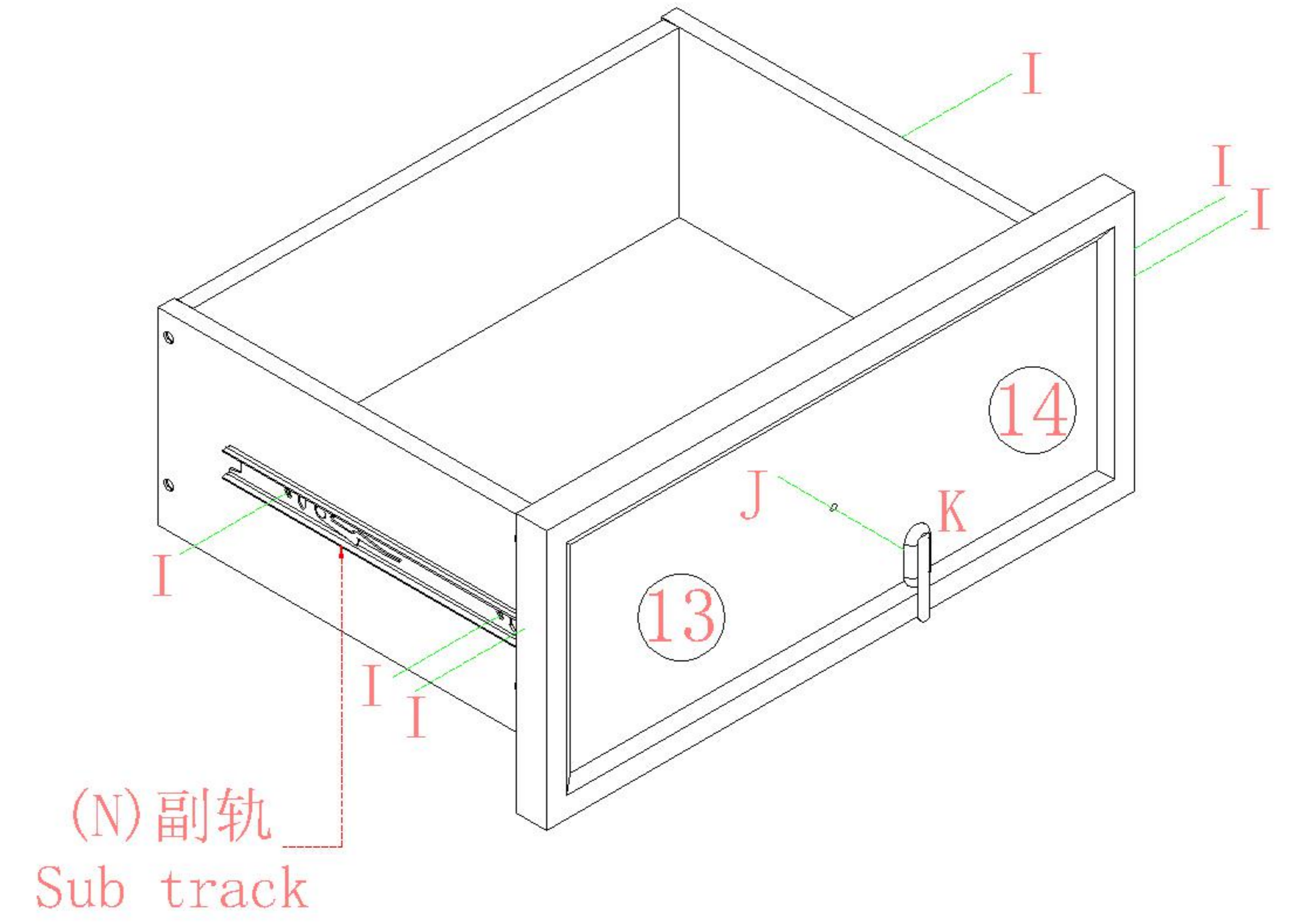


× 6



1

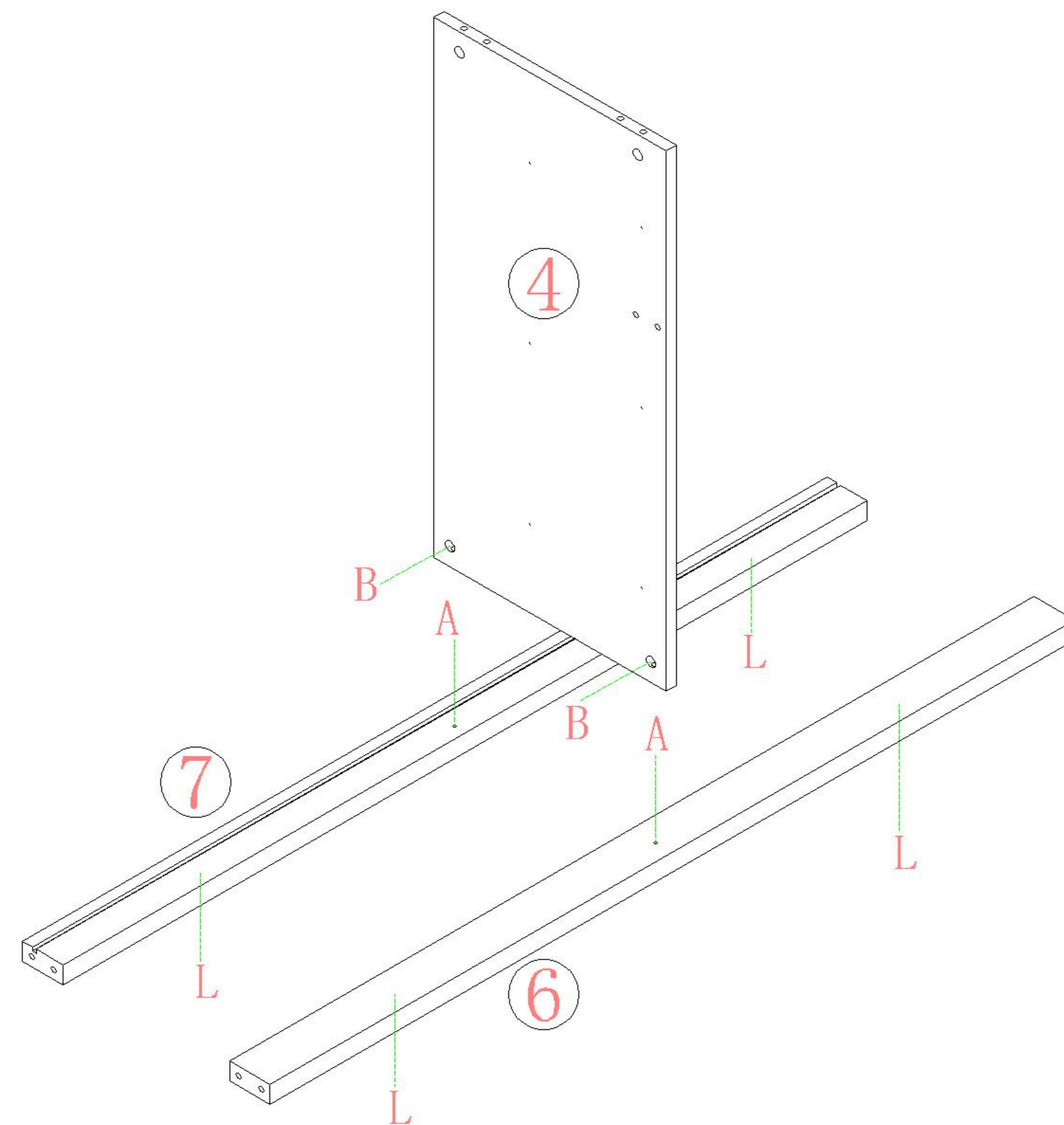
- (I) \*36
- (J) \*6
- (K) \*6
- (N) \*6



× 6

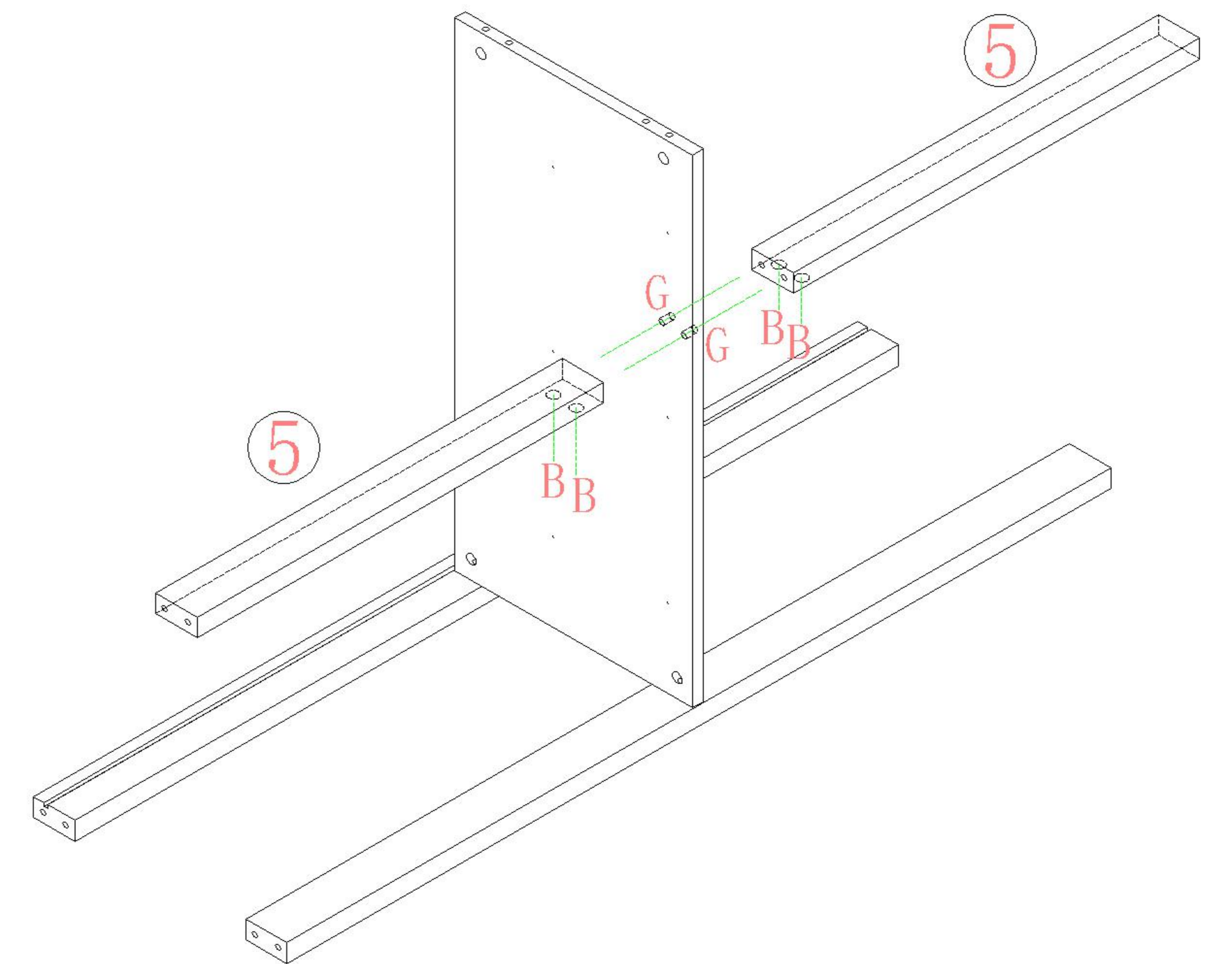
2

- (A) \*2
- (B) \*2
- (L) \*4



3

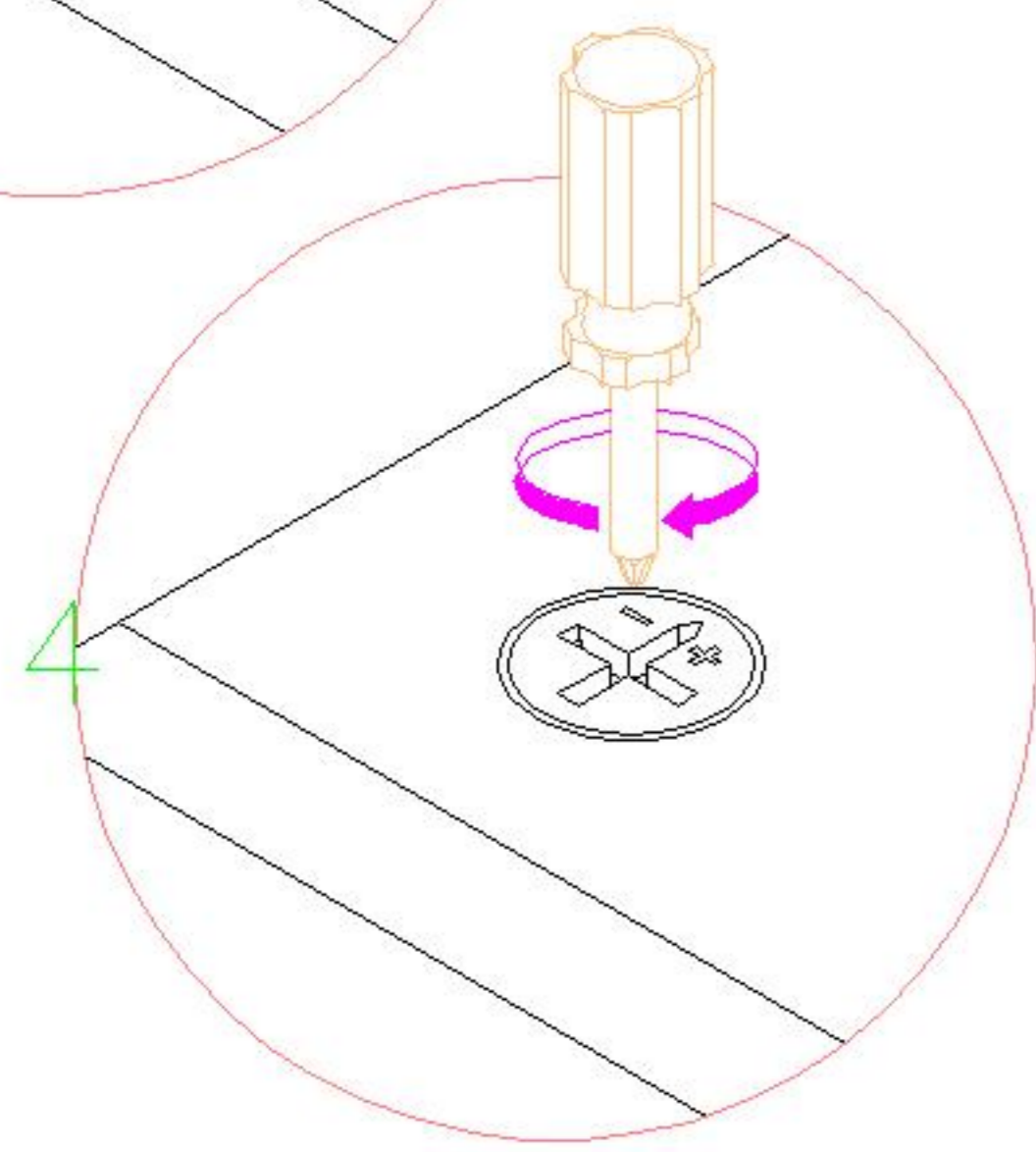
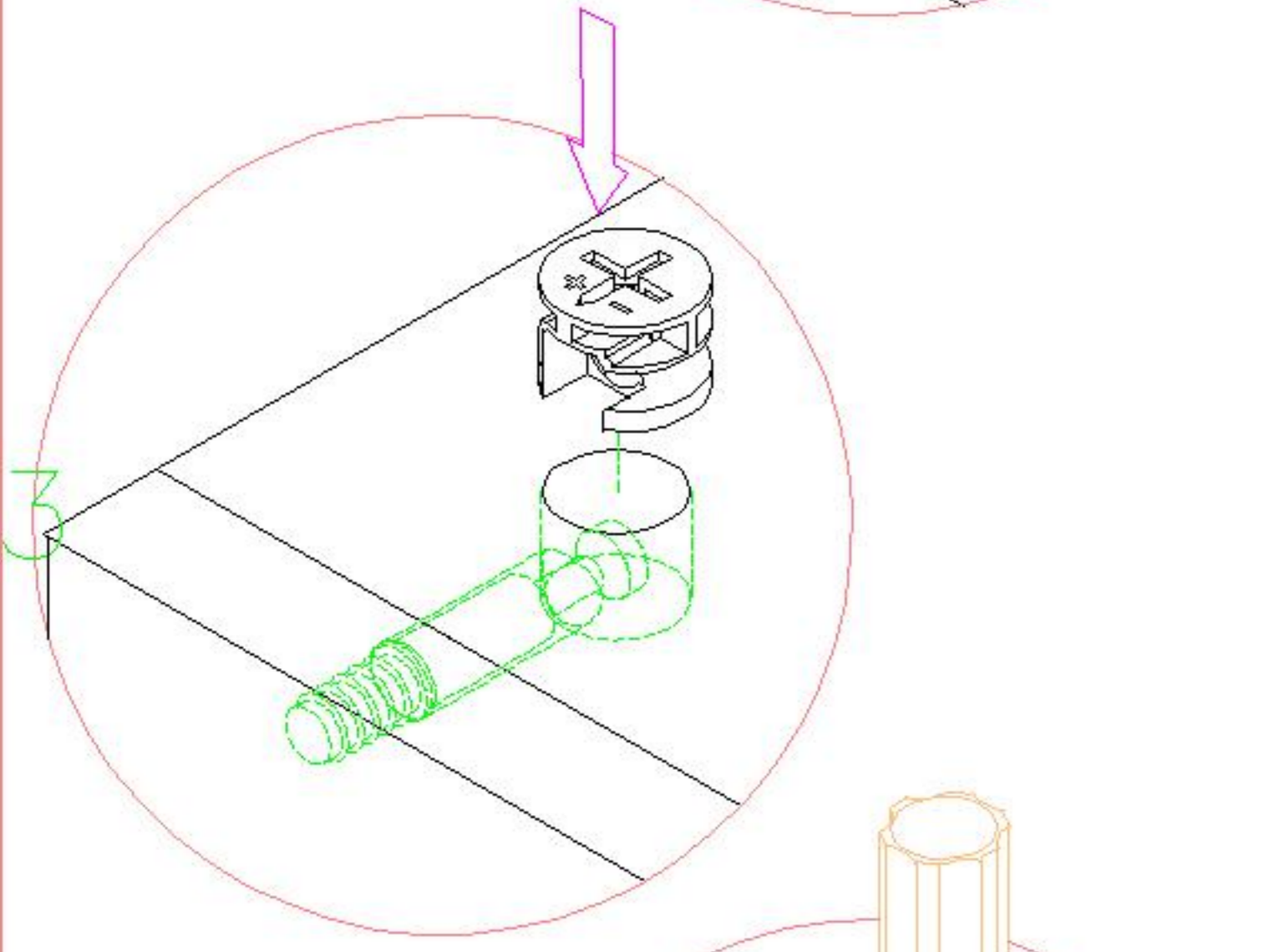
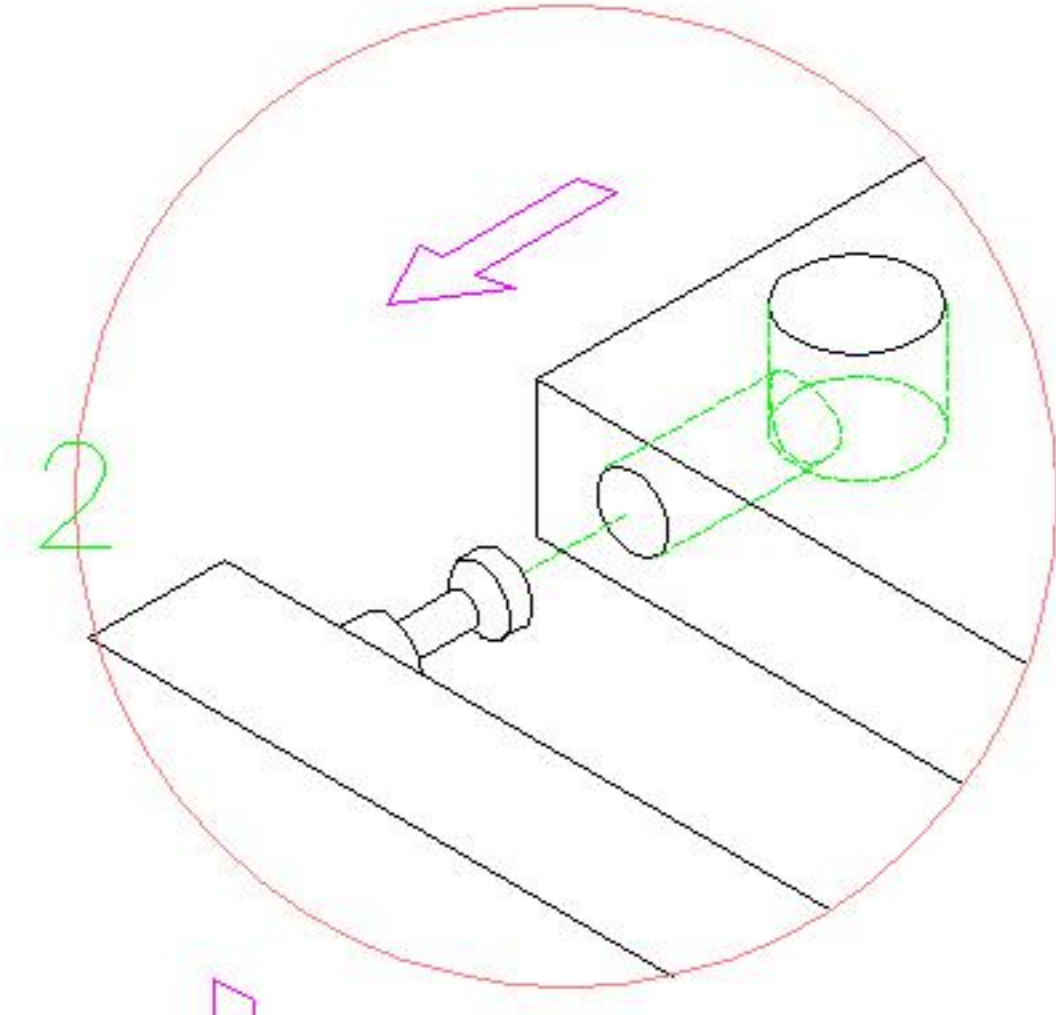
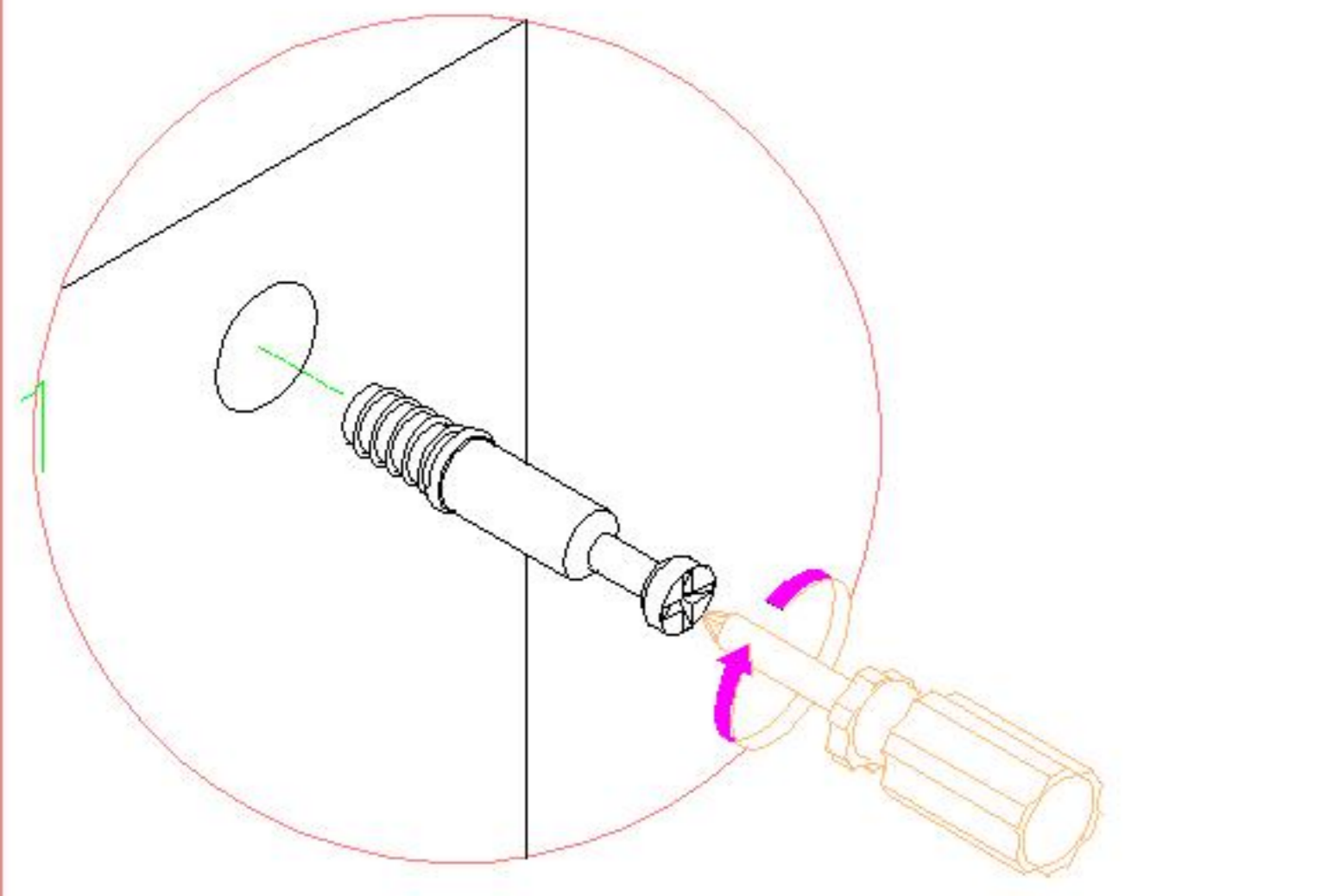
- (B) \*4
- (G) \*2



4

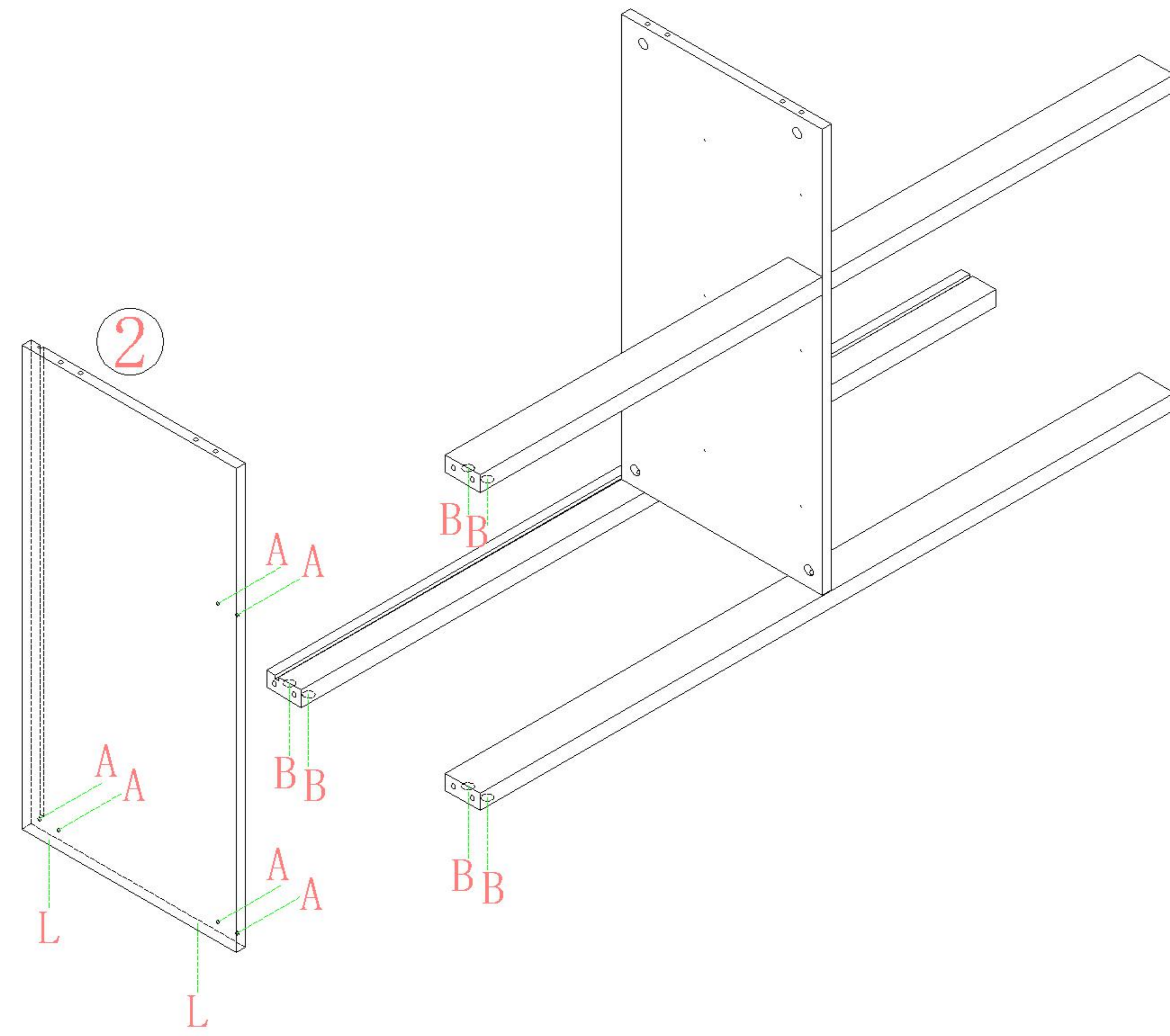
T02E-A

安装方法/  
Installation method



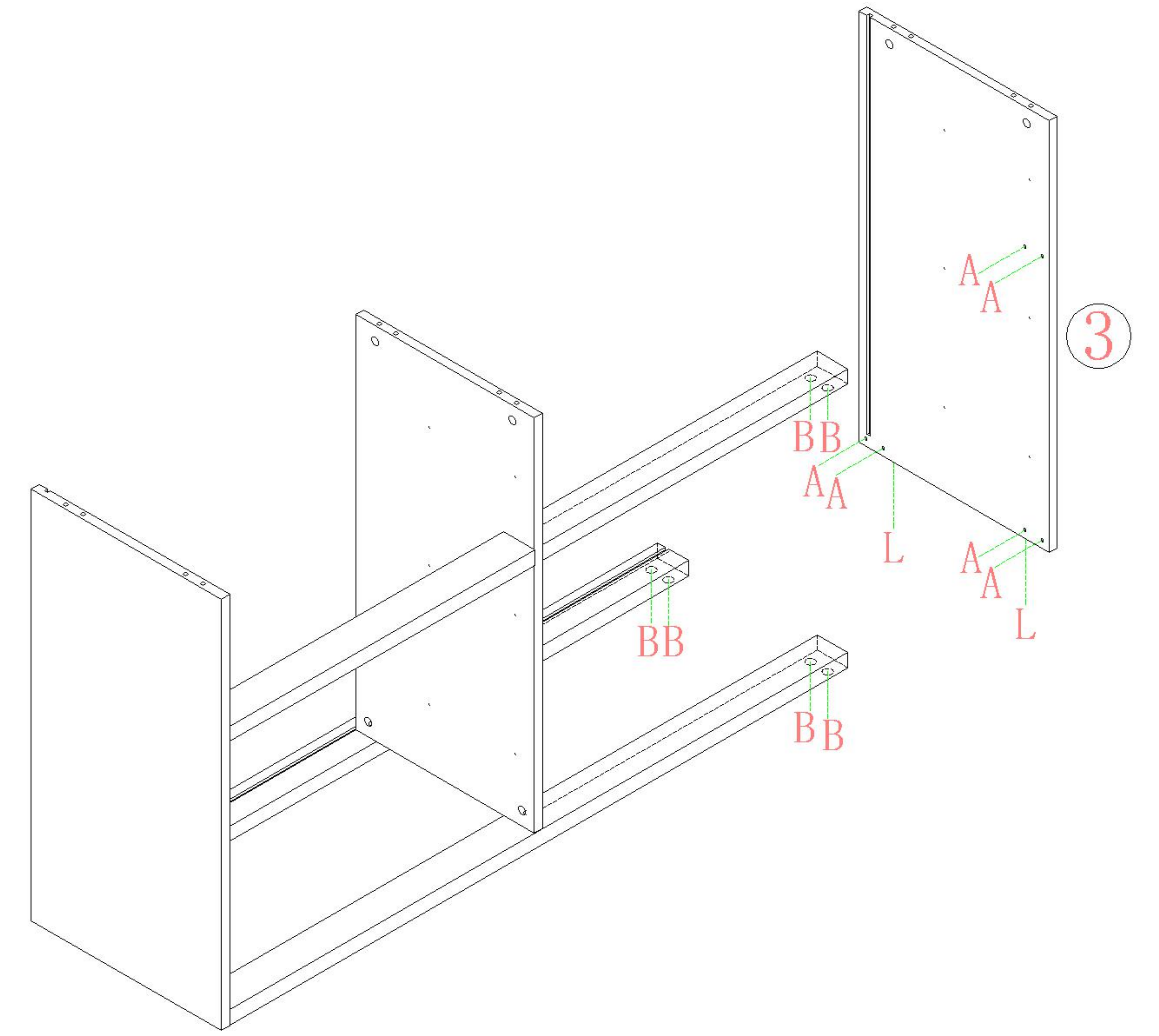
大二合一  
two-in-one

- (A)\*6
- (B)\*6
- (L)\*2



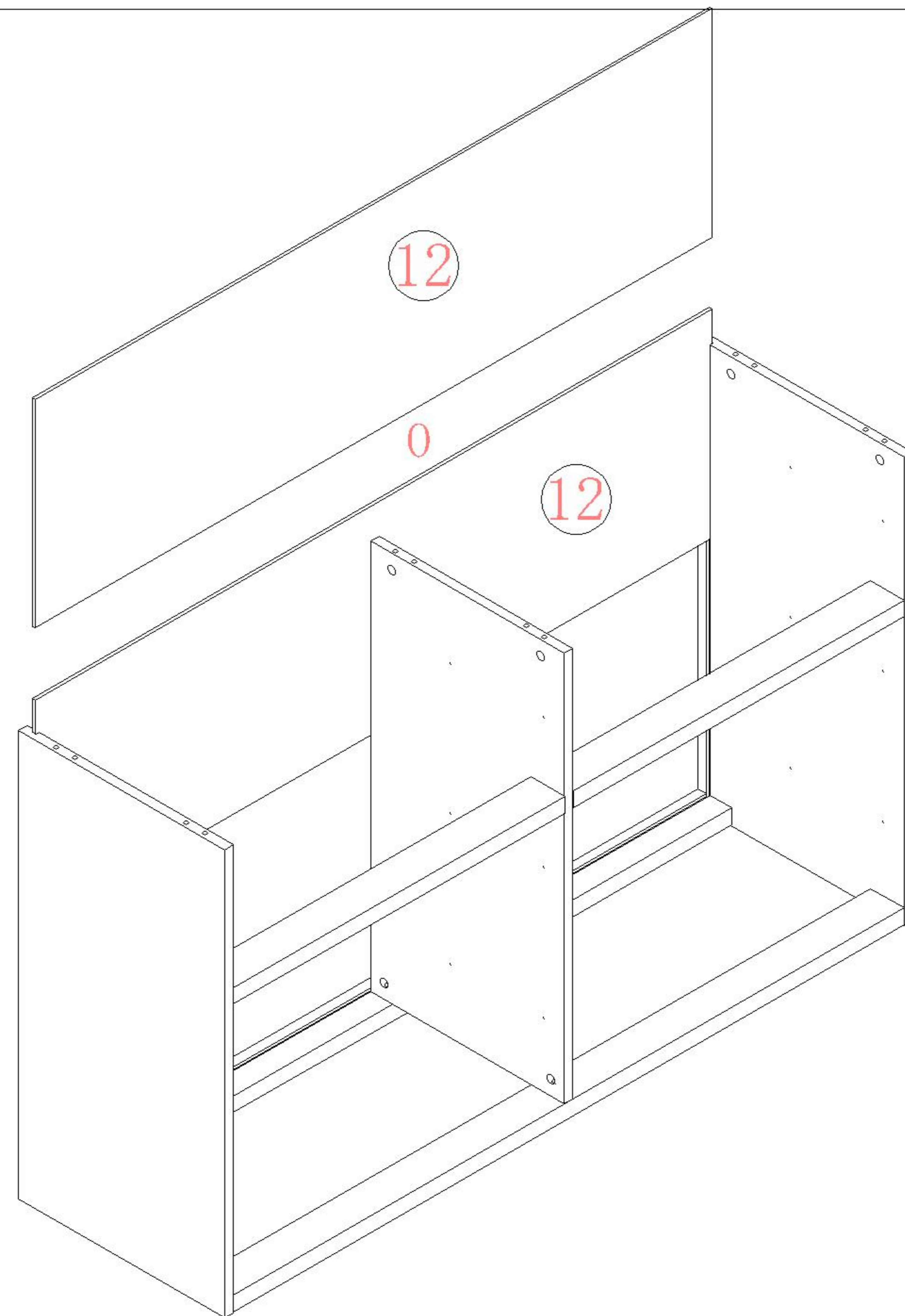
4

- (A)\*6
- (B)\*6
- (L)\*2



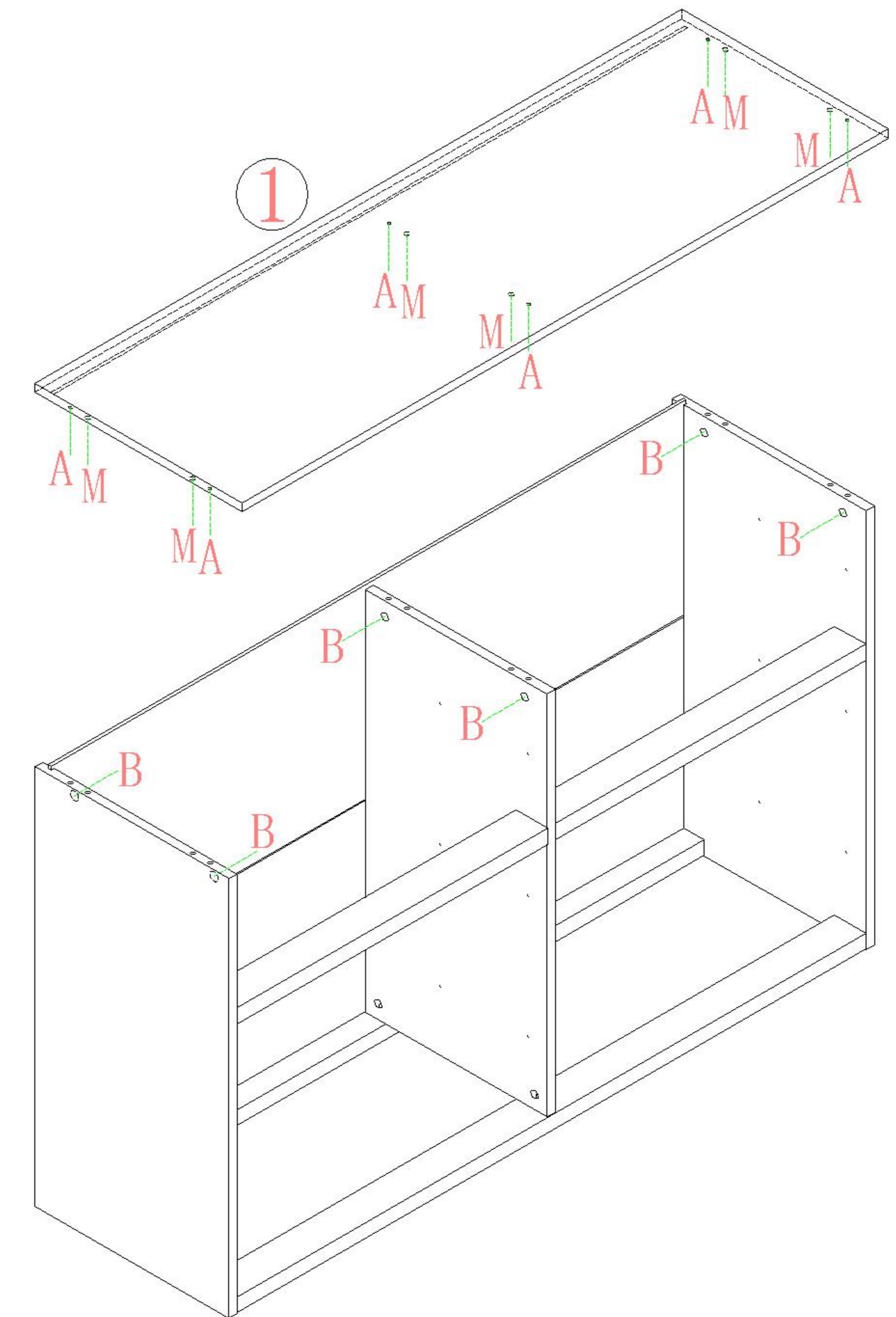
5

- (O)\*1



6

- (A)\*6
- (B)\*6
- (M)\*6

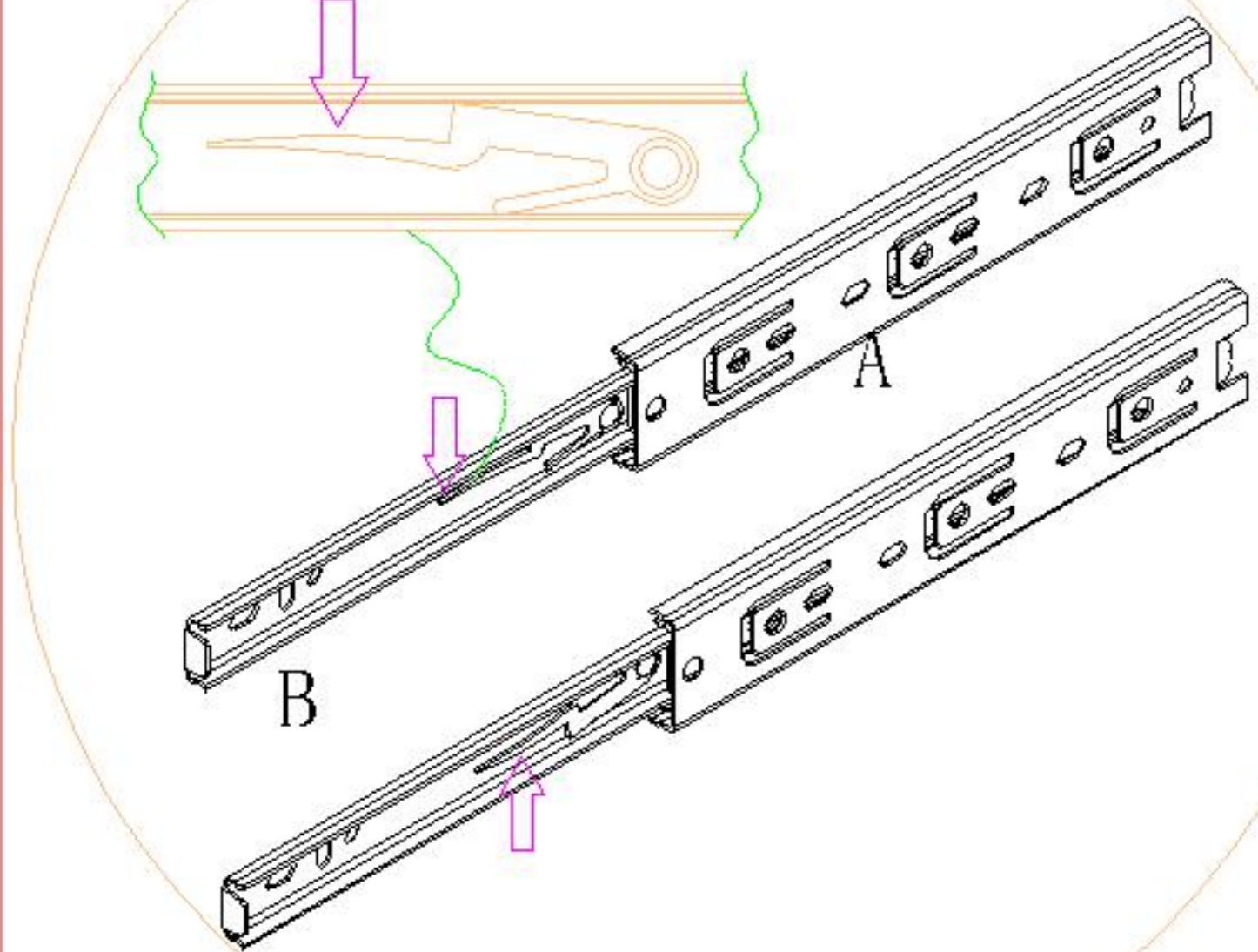


7

T02E-A

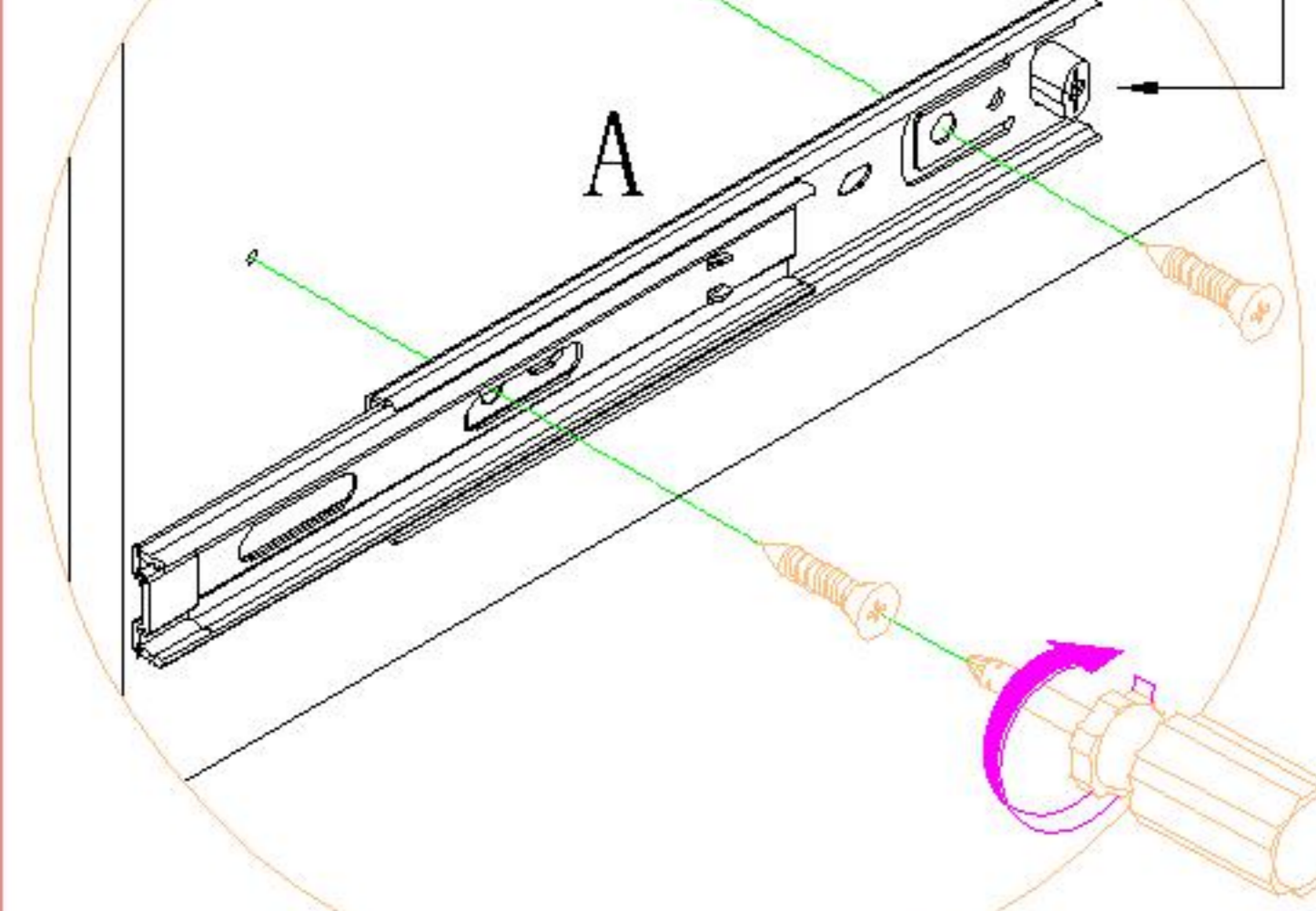
安装方法/  
Installation method

1  
阀门开关(下压为开)  
Valve switch  
(press down to open)

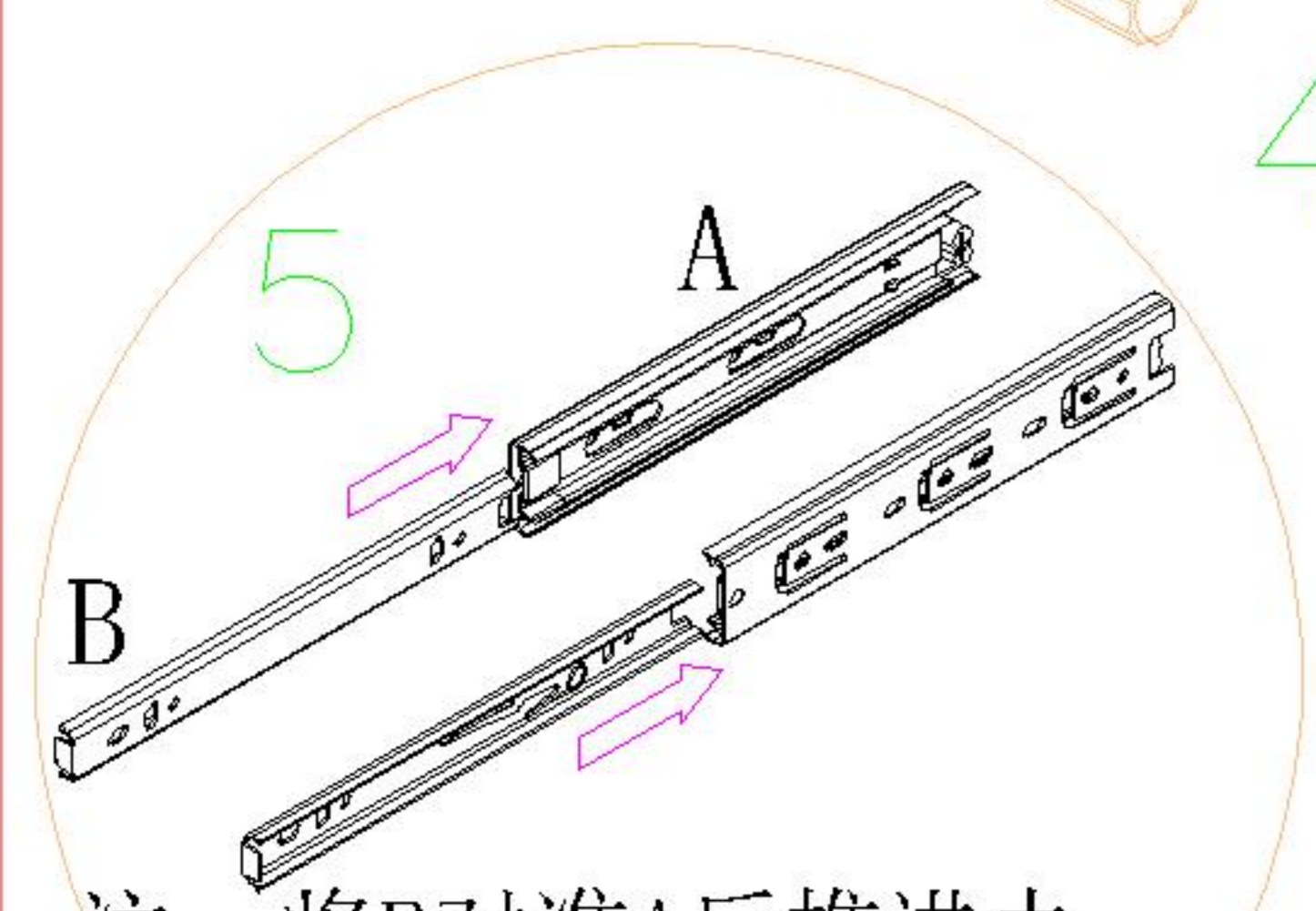
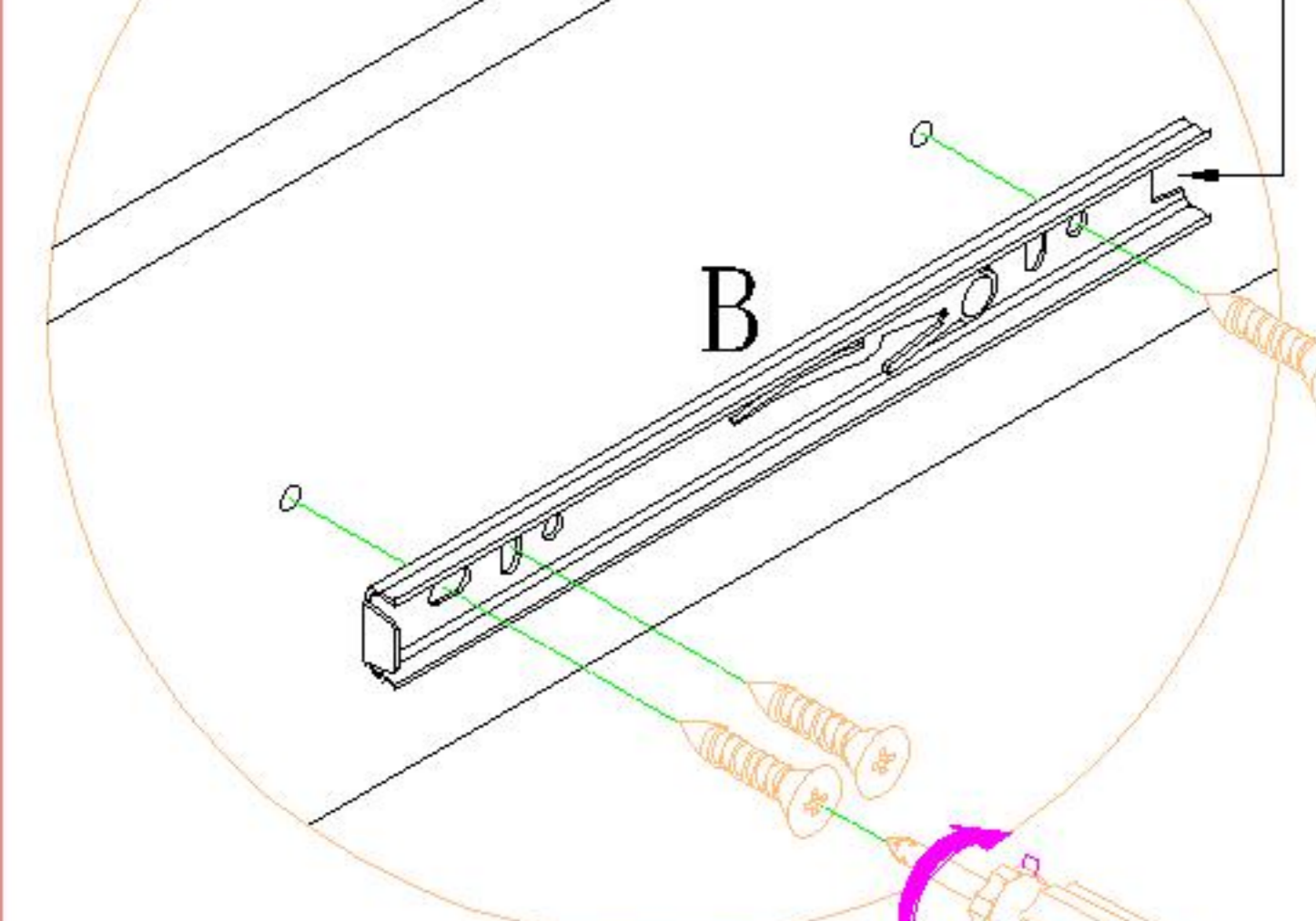


注: 先将A与B拆下来  
Note: remove a and B first

2  
侧板  
side board



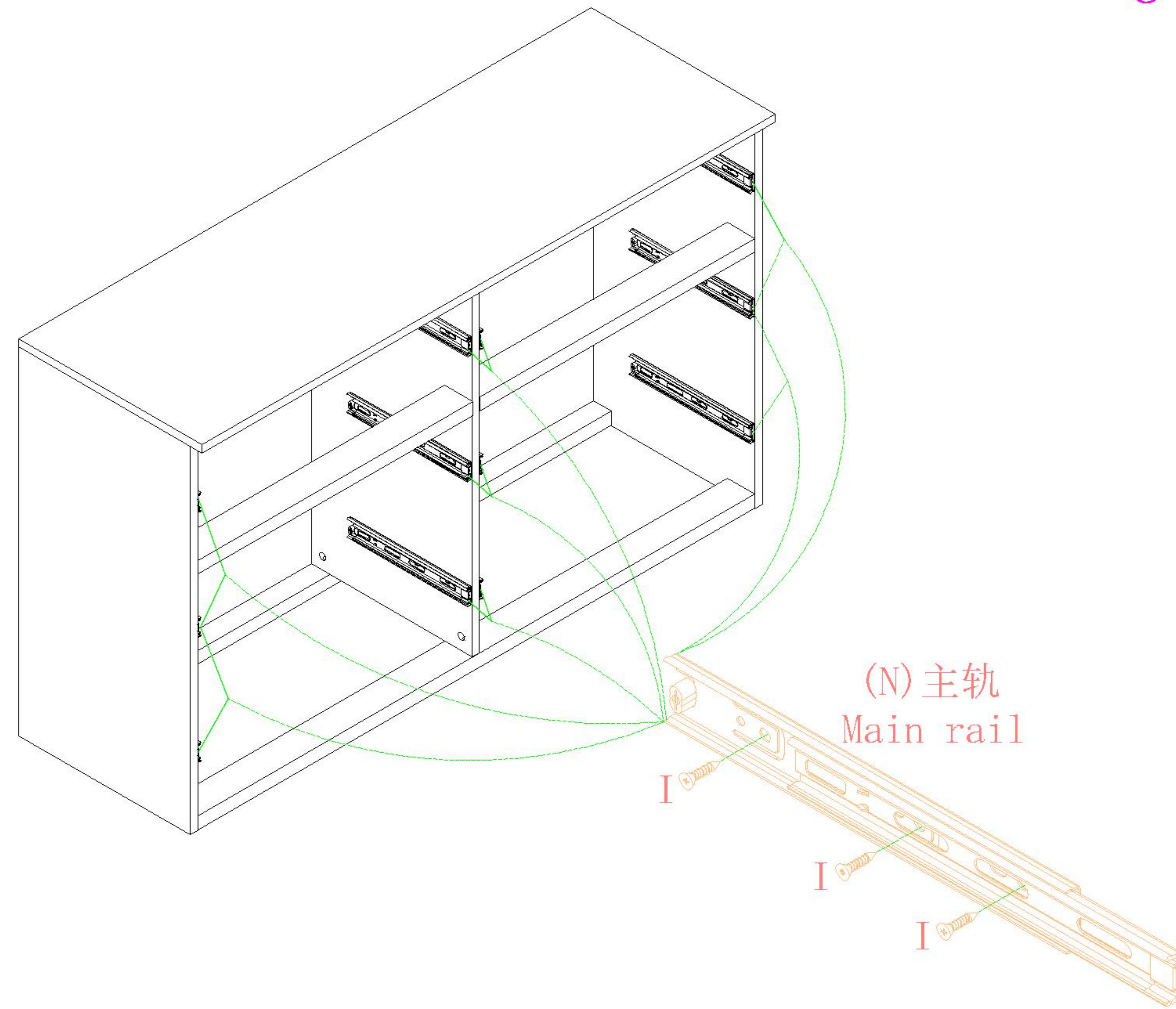
3  
抽屉侧板  
sideboard  
of the drawer



5  
注: 将B对准A后推进去  
Note: align B with a  
and push it in

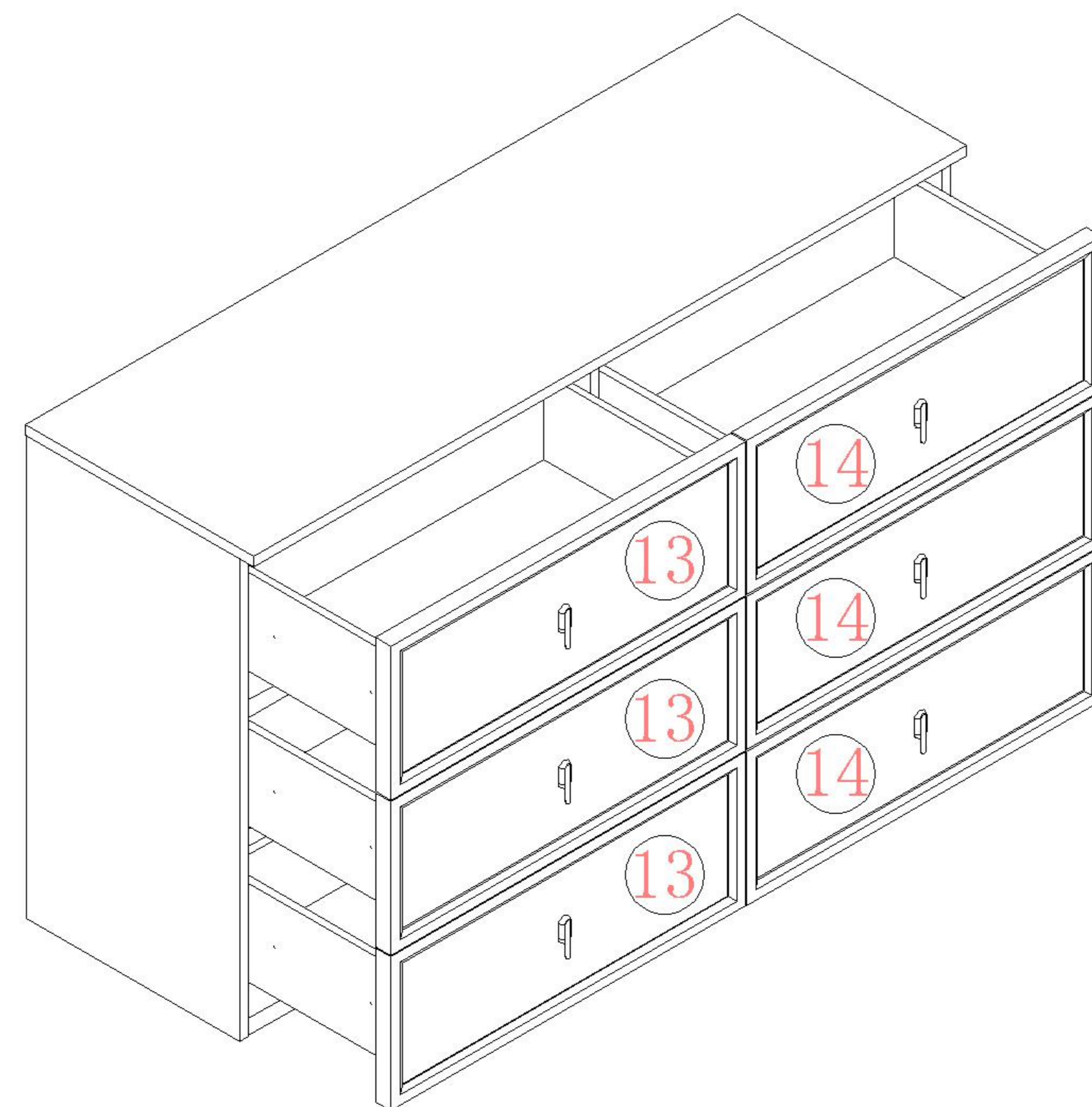
三节滚珠导轨  
three-section ball rail

(I) \*36  
(N) \*6



(N) 主轨  
Main rail

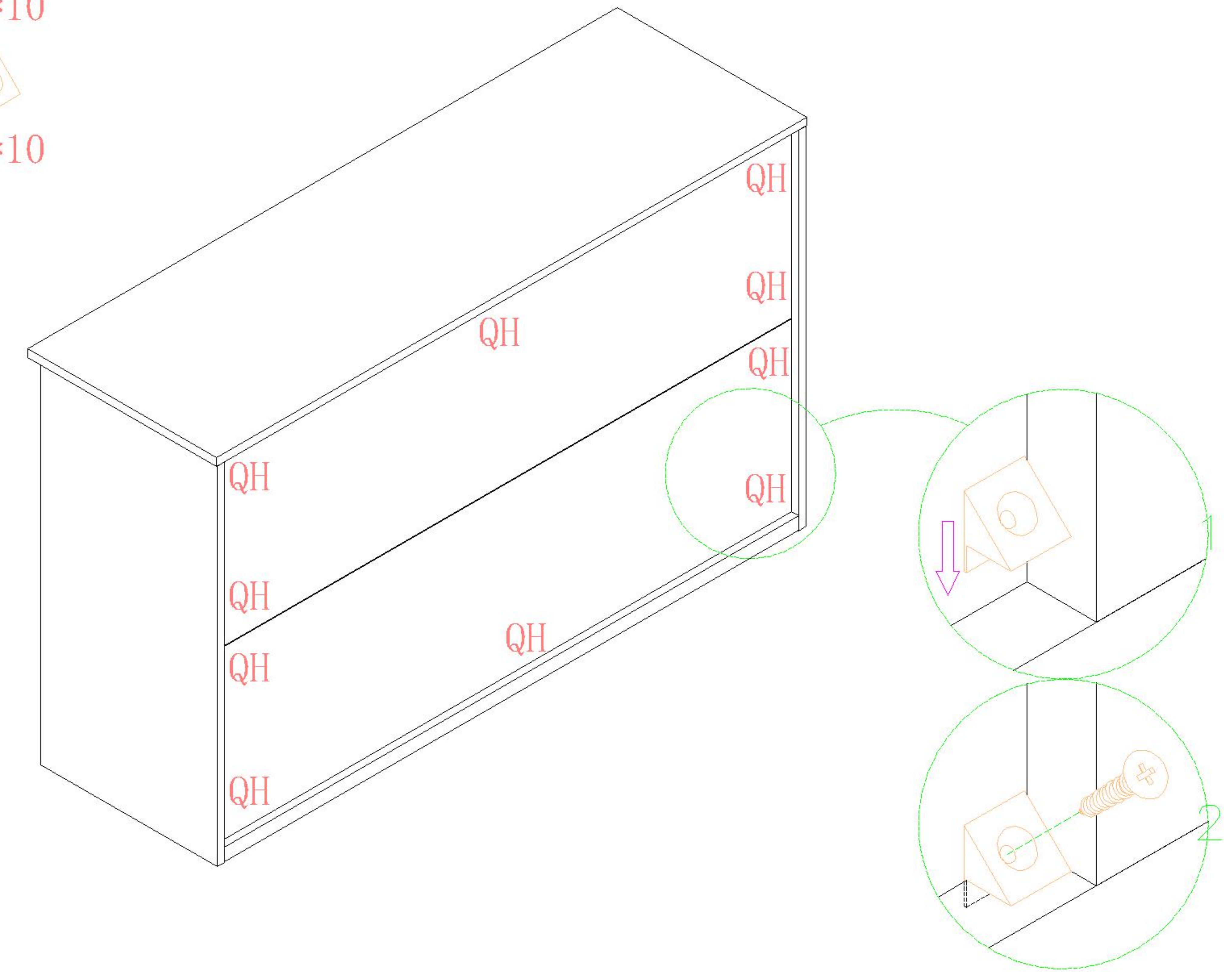
10



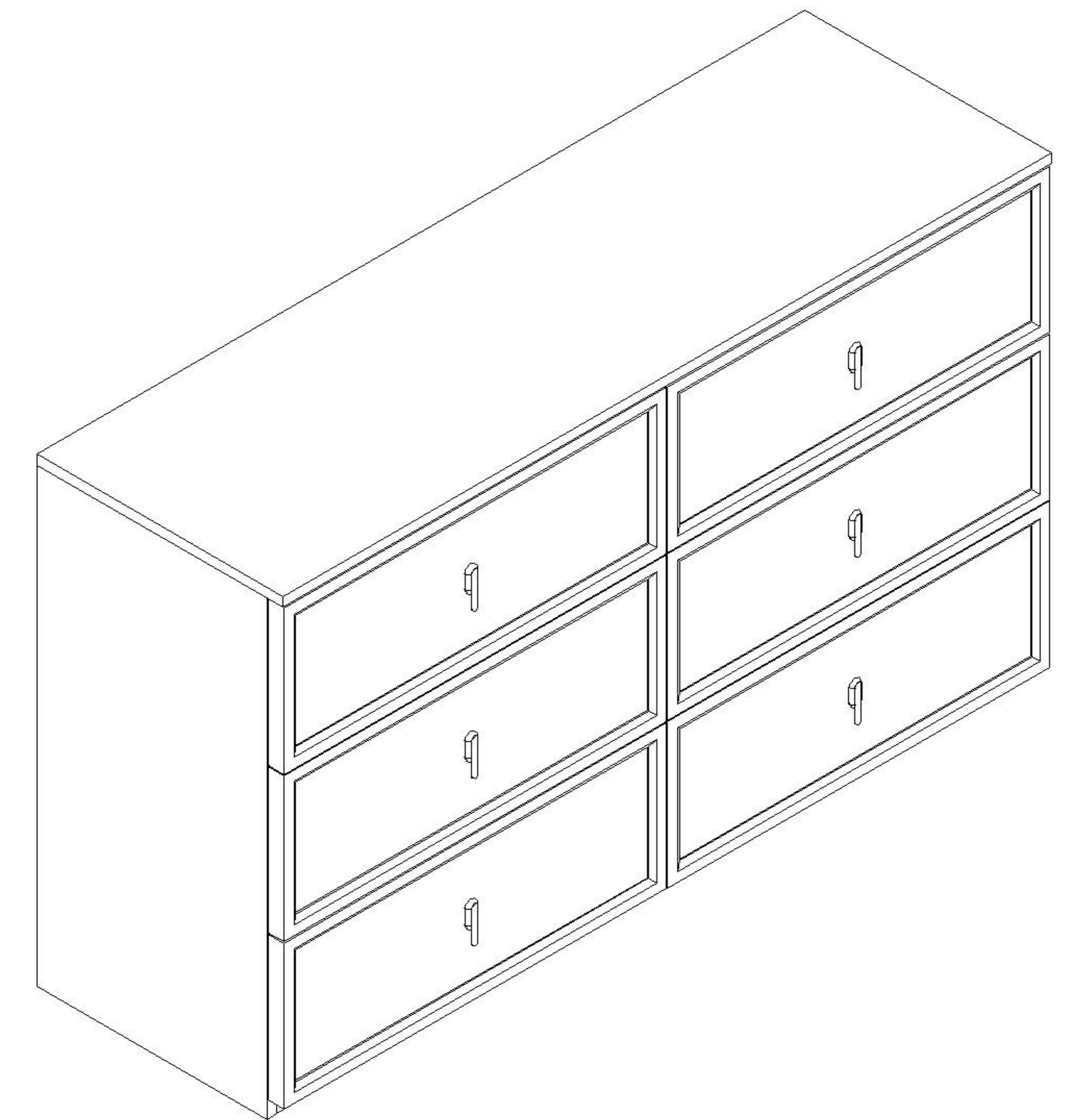
10

8

(H) \*10  
(Q) \*10

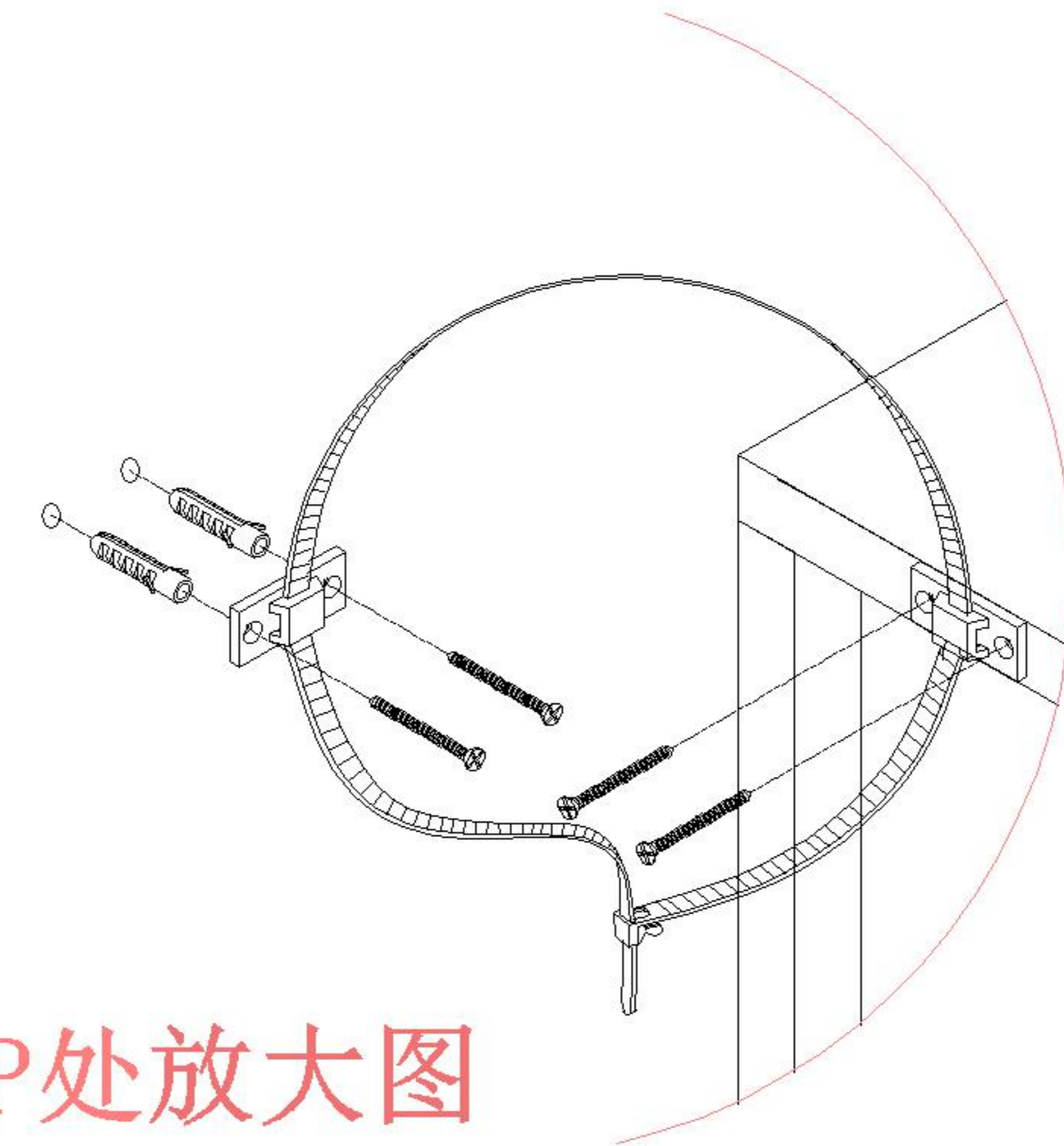


11



11

(P)\*1



P处放大图  
Enlarged drawing

实体墙  
Solid wall

