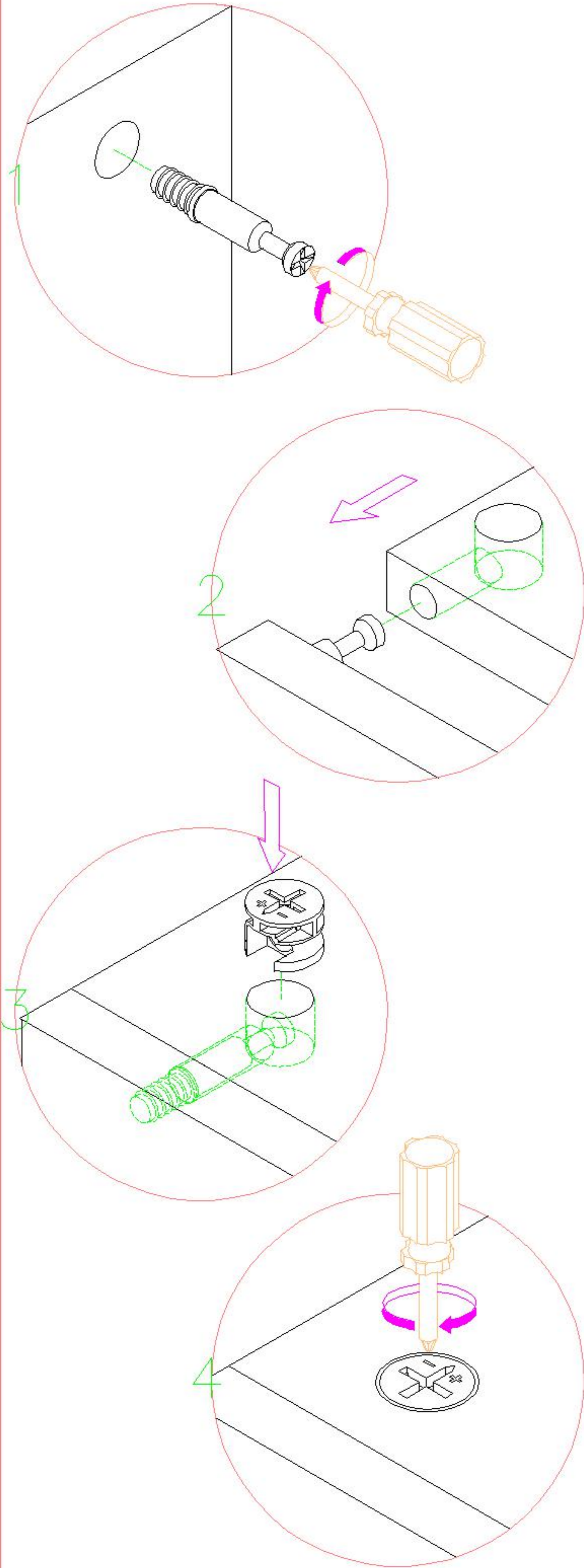


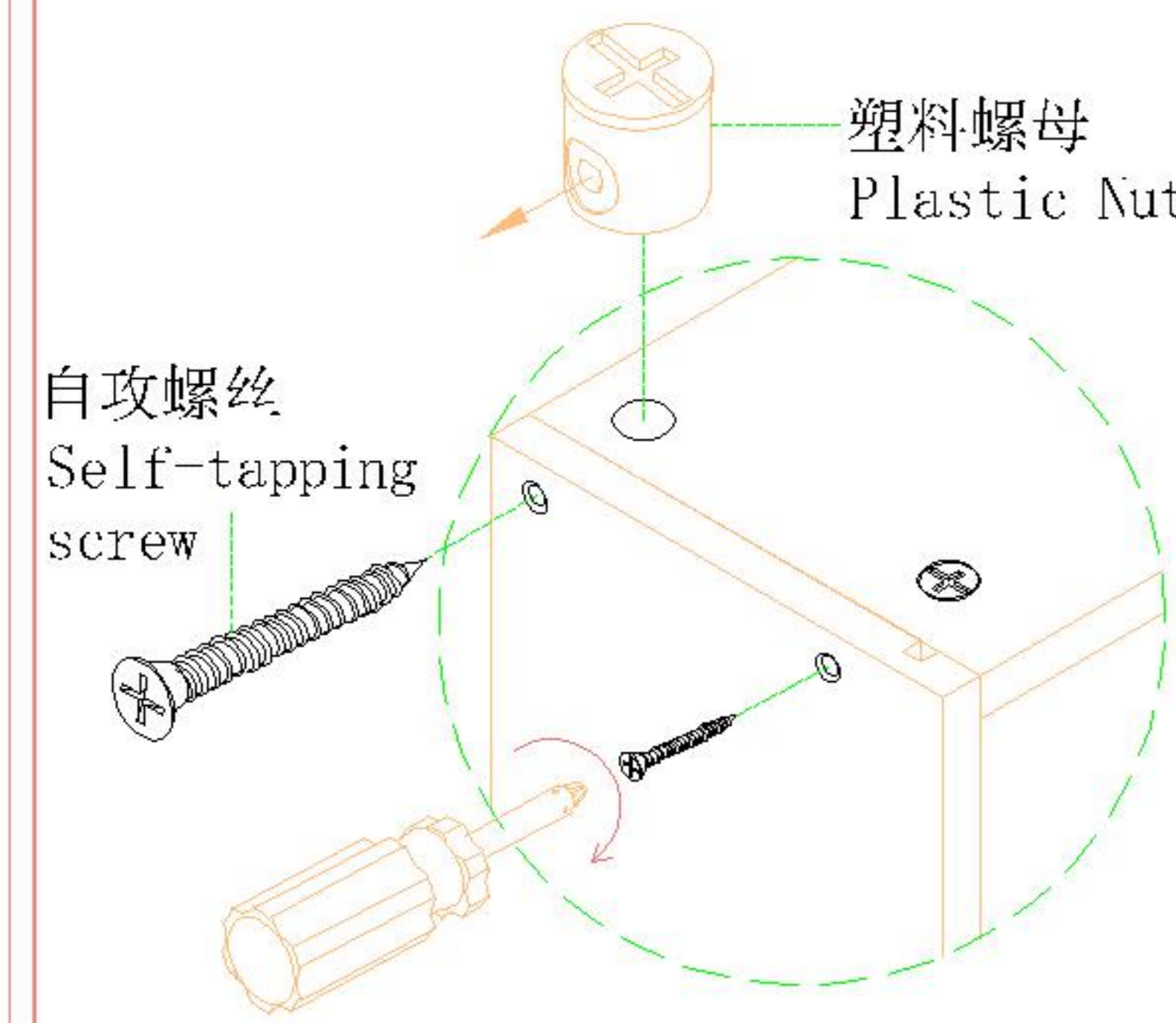


T01E-A

安装方法/  
Installation method



大二合一  
two-in-one

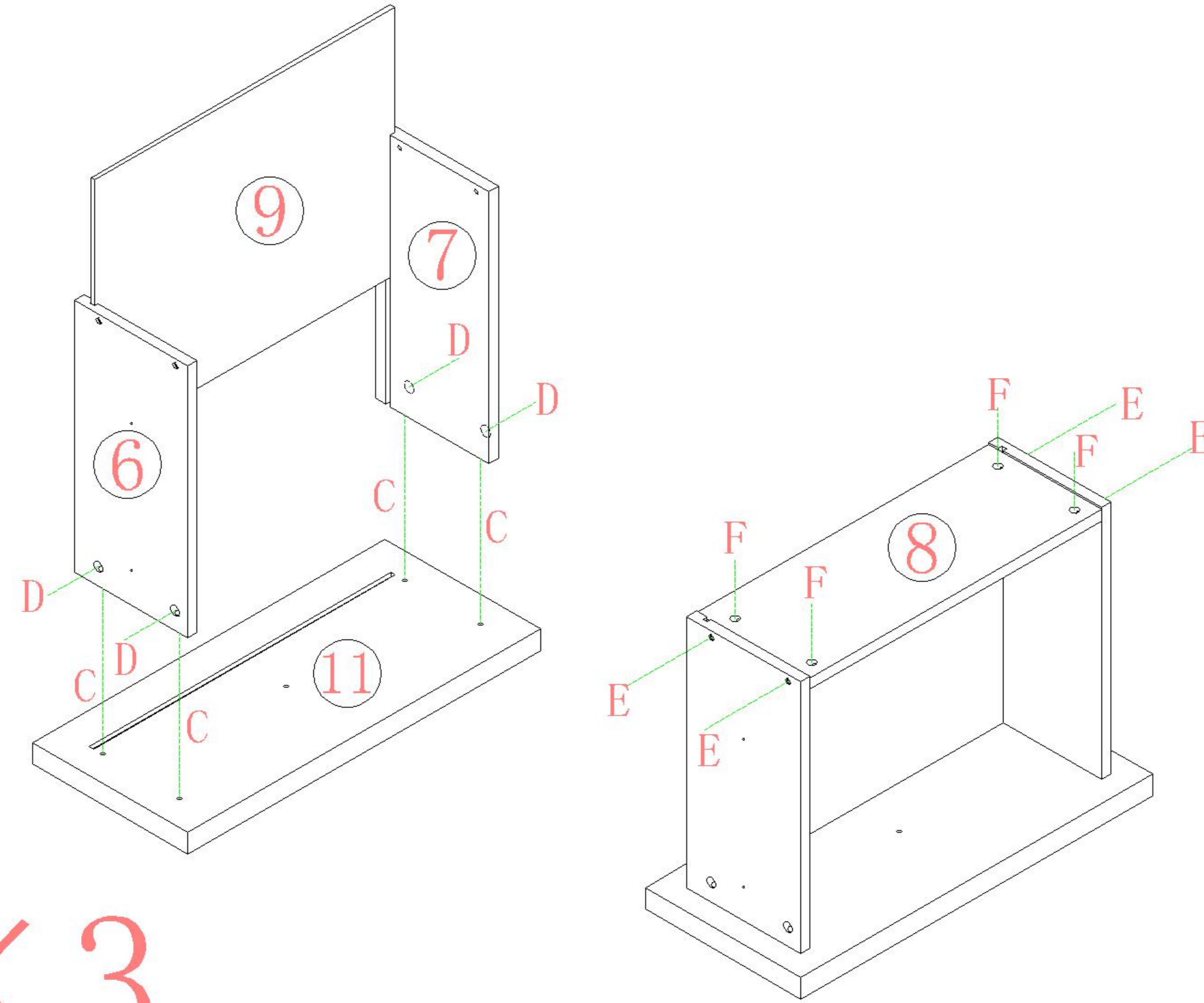


自攻螺丝  
Self-tapping  
screw

塑料螺母  
Plastic Nut

塑料螺母  
Plastic Nut

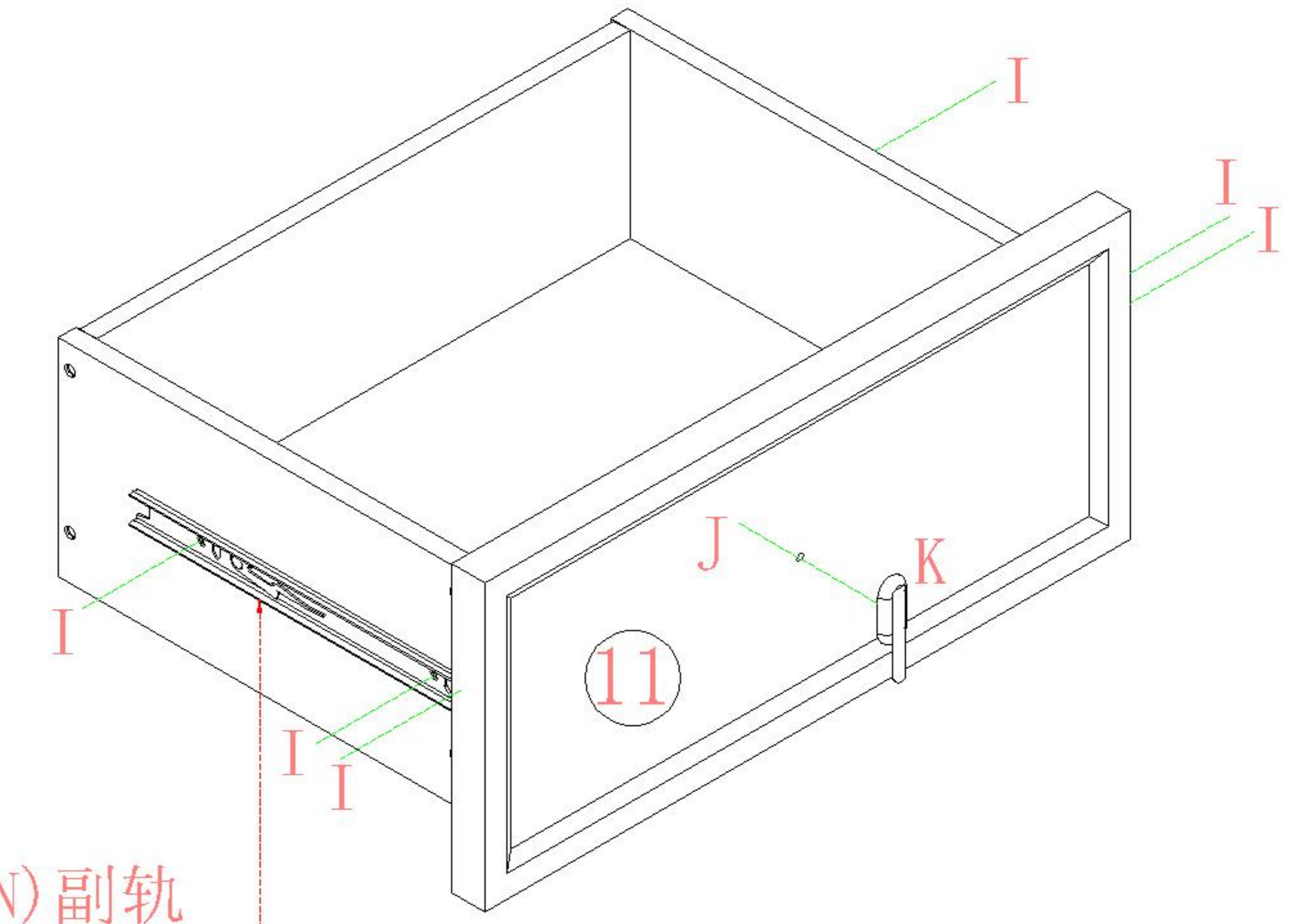
- (C)\*12
- (D)\*12
- (E)\*12
- (F)\*12



× 3

1

- (I)\*18
- (J)\*3
- (K)\*3
- (N)\*3

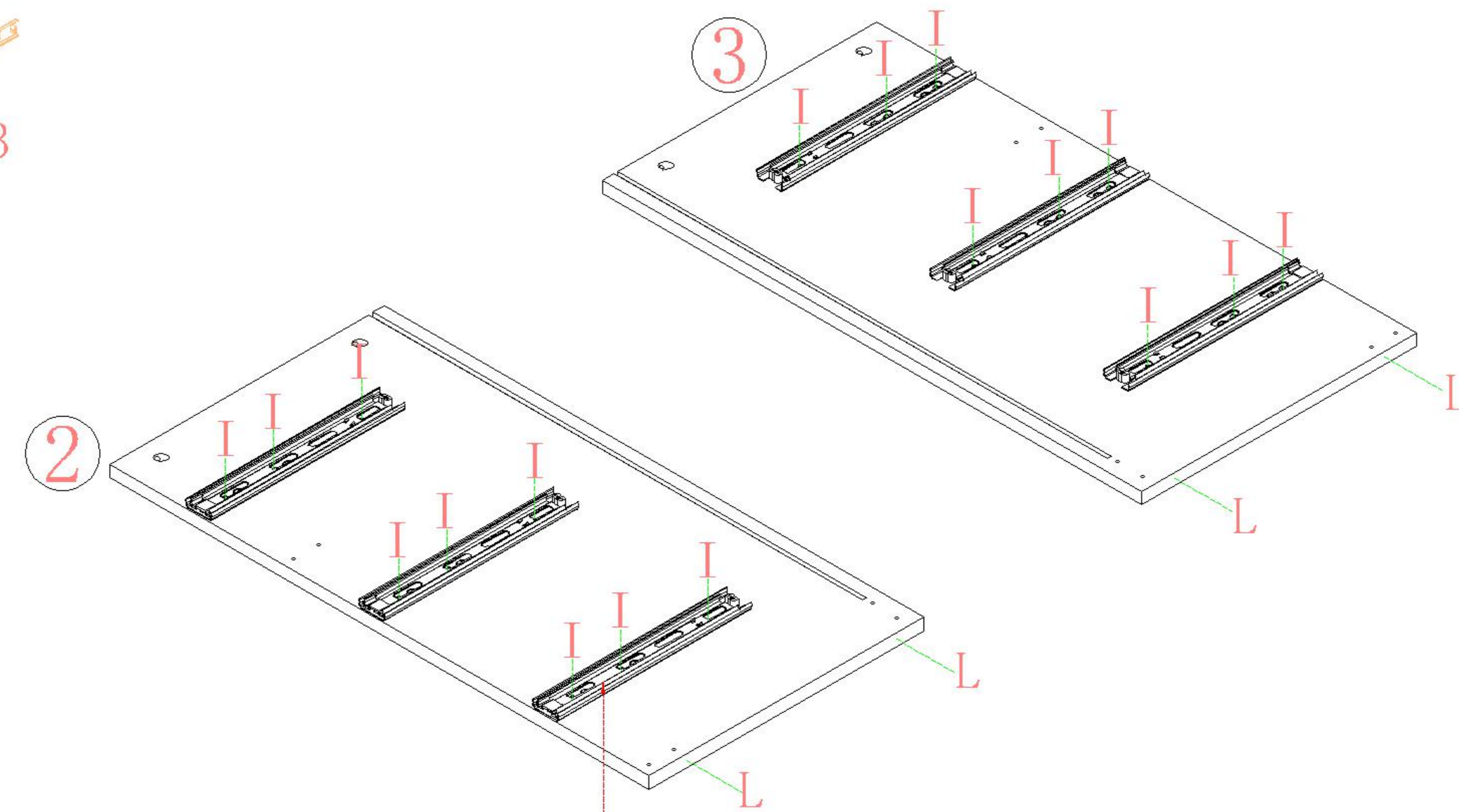


(N) 副轨  
Sub track

× 3

2

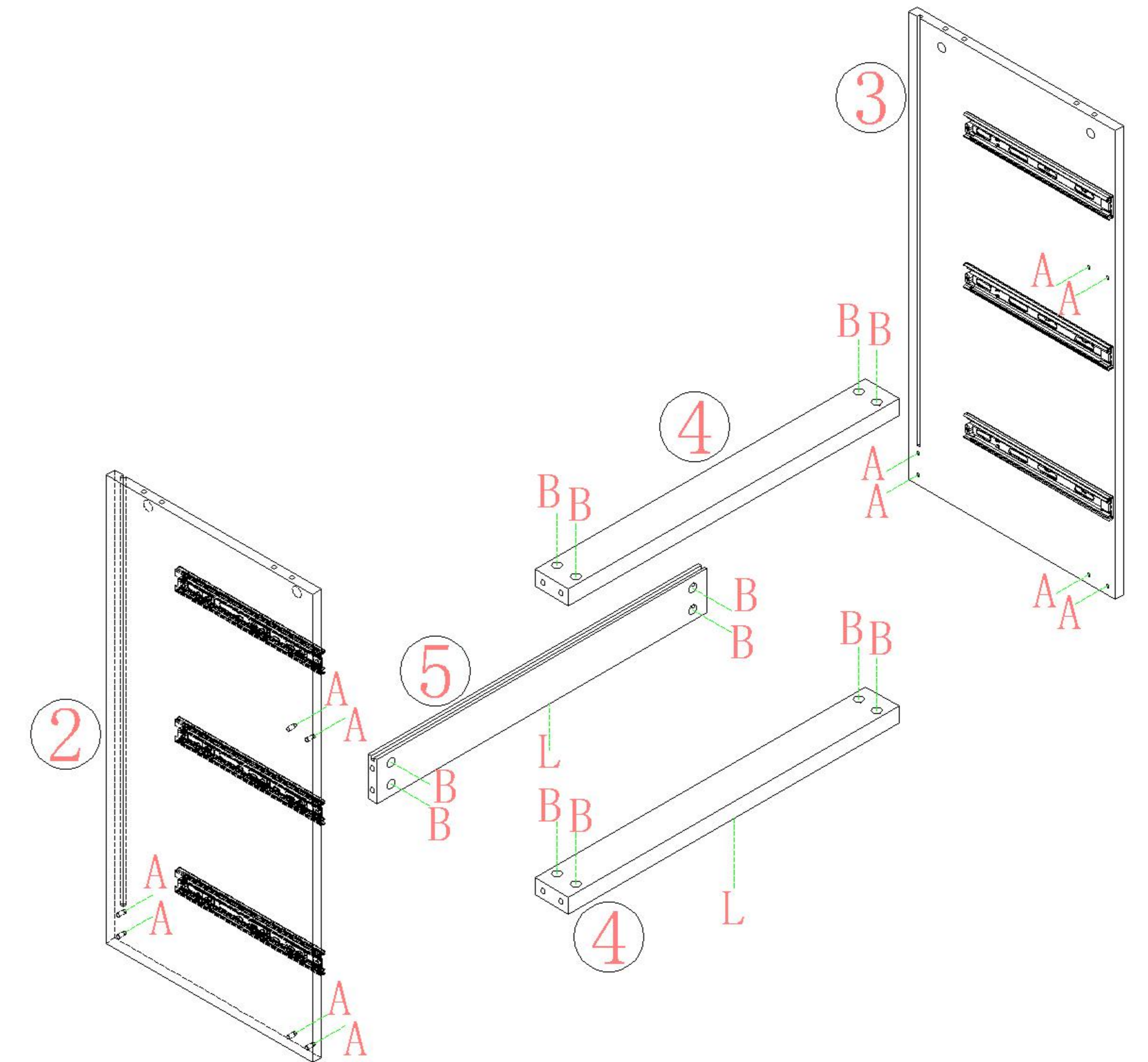
- (I)\*18
- (L)\*4
- (N)\*3



(N) 主轨  
Main rail

3

- (A)\*12
- (B)\*12
- (L)\*2



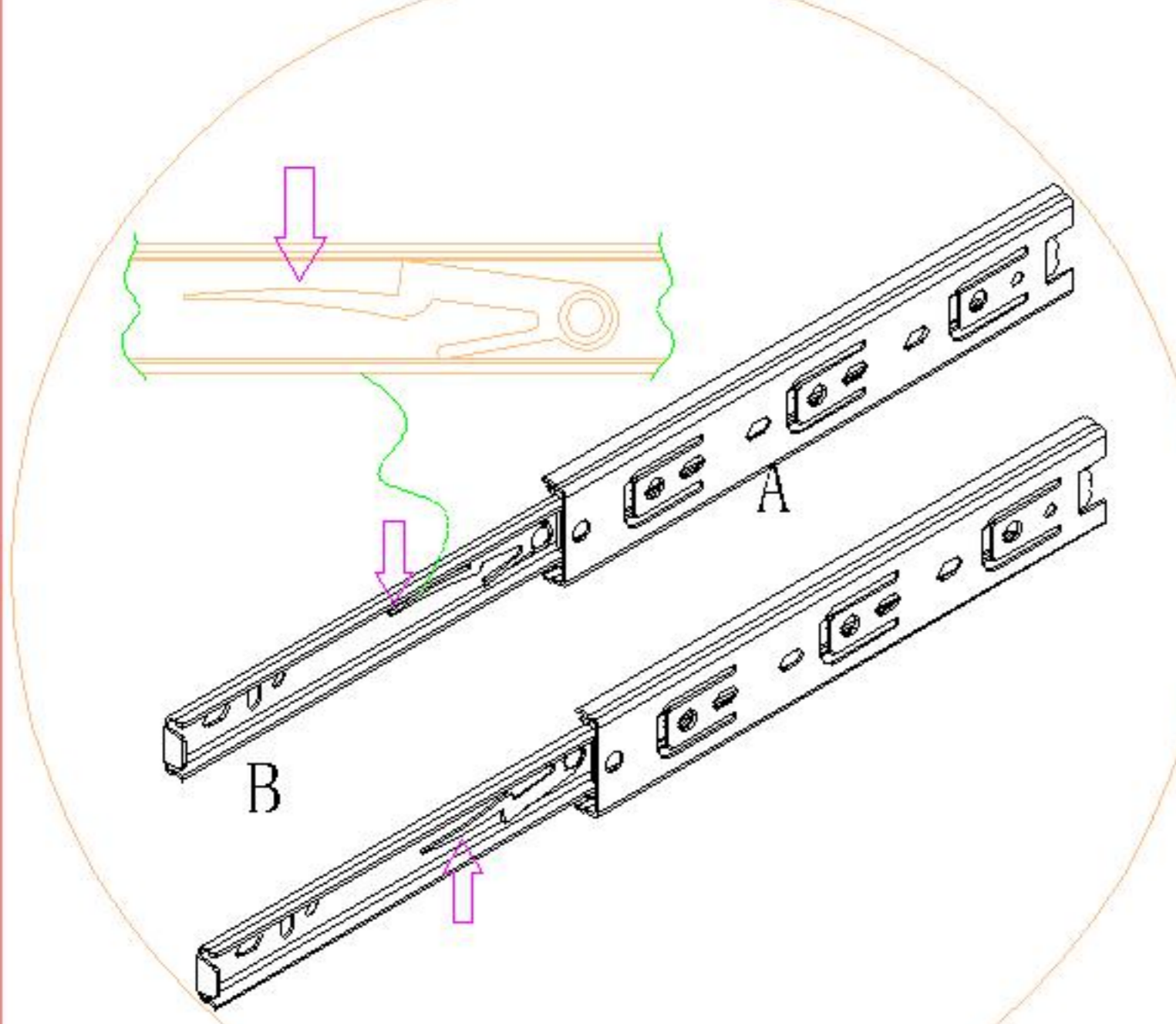
4

T01E-A

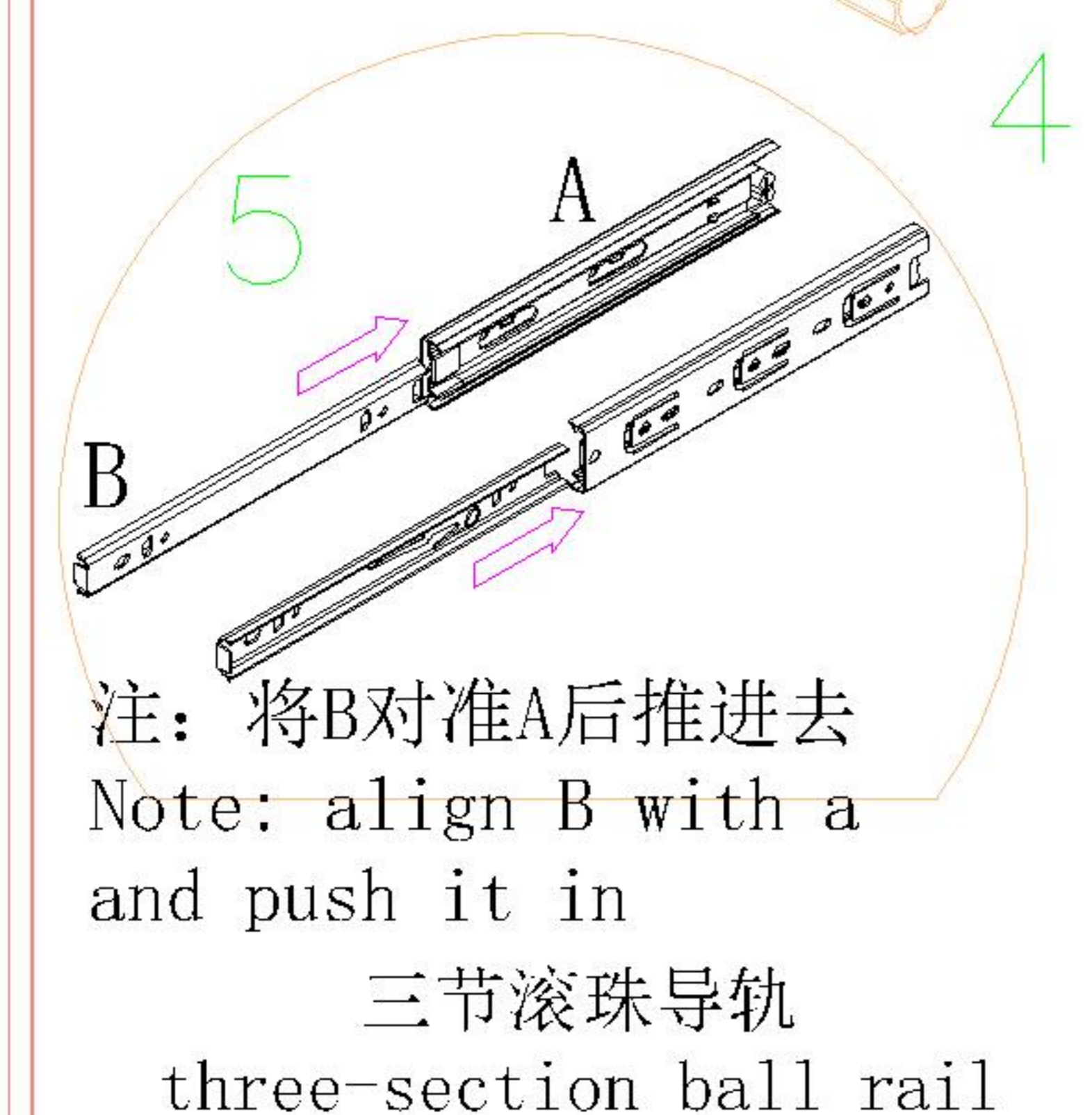
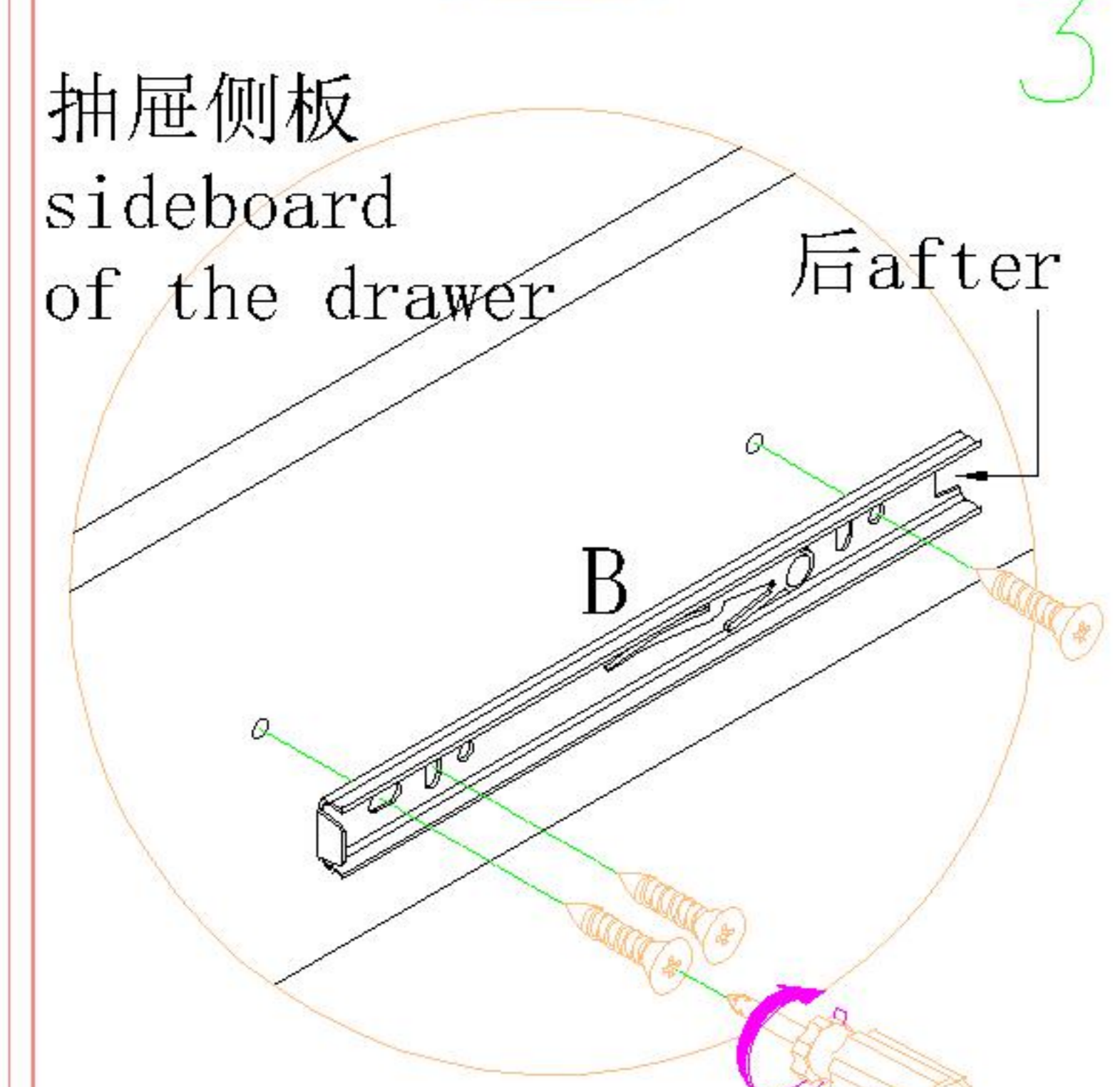
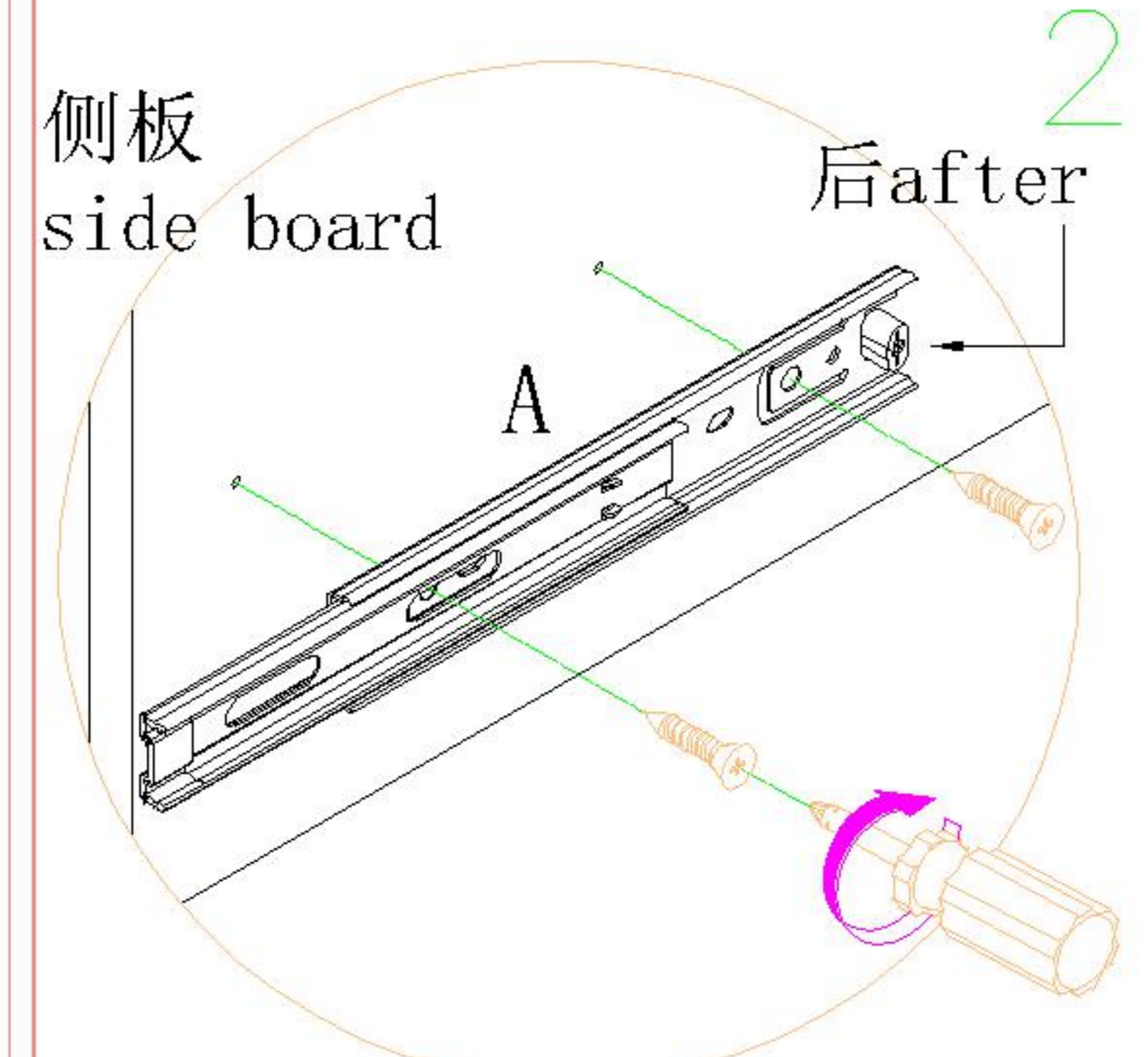
### 安装方法/ Installation method

阀门开关(下压为开)  
Valve switch  
(press down to open)

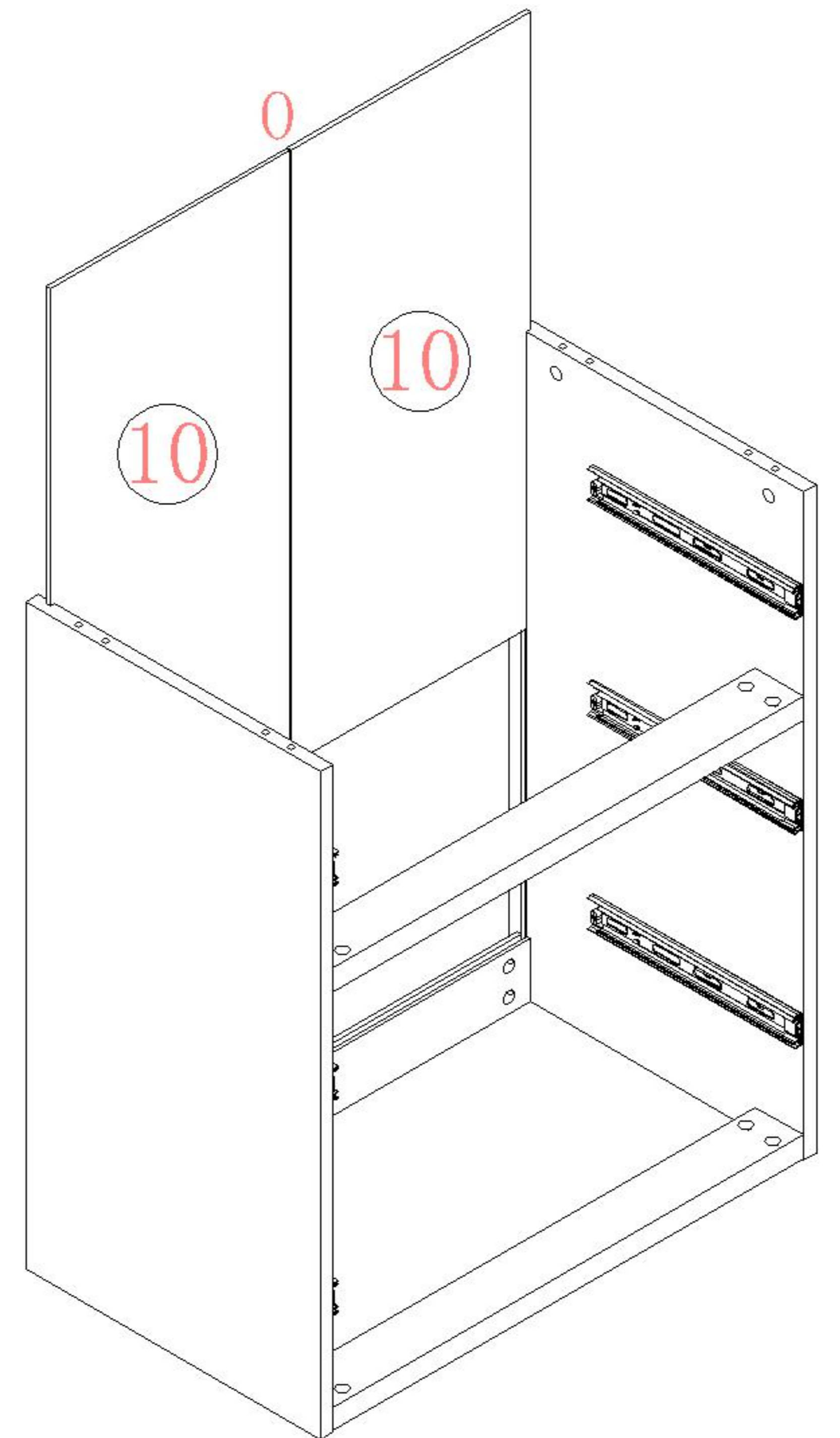
1



注: 先将A与B拆下来  
Note: remove a and B first

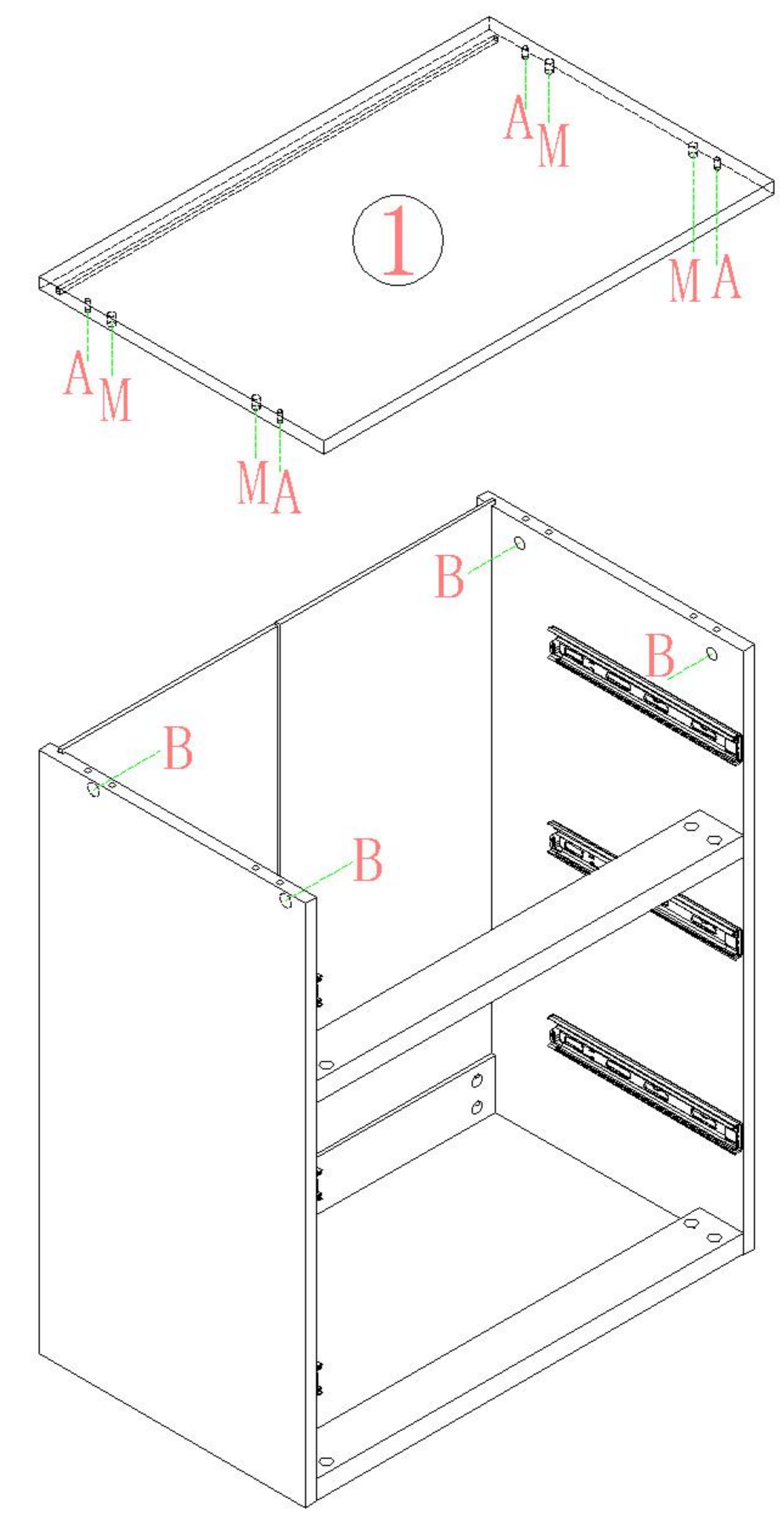


(O)\*1



5

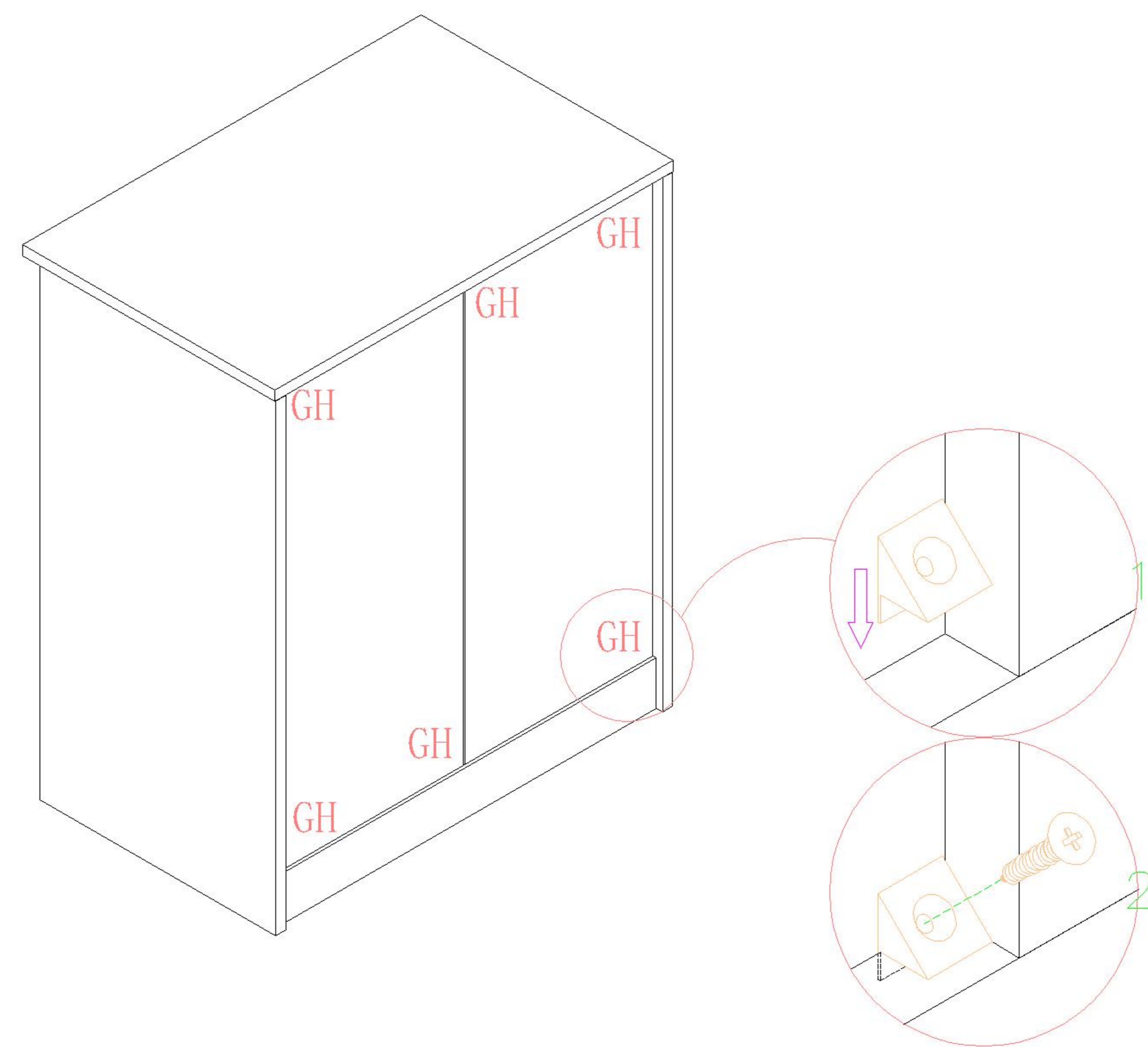
- (A)\*4
- (B)\*4
- (M)\*4



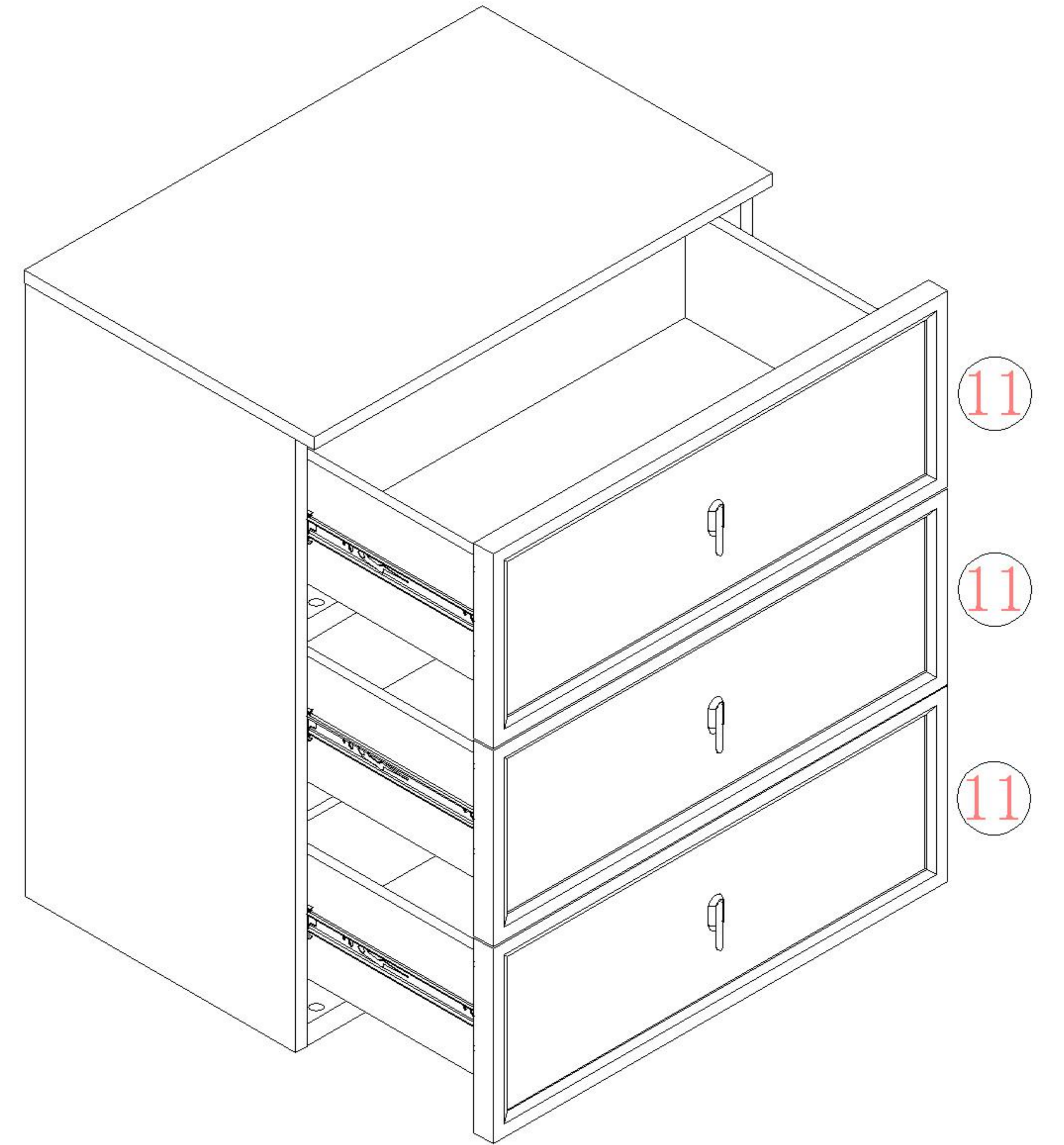
6

(G)\*6  
(H)\*6

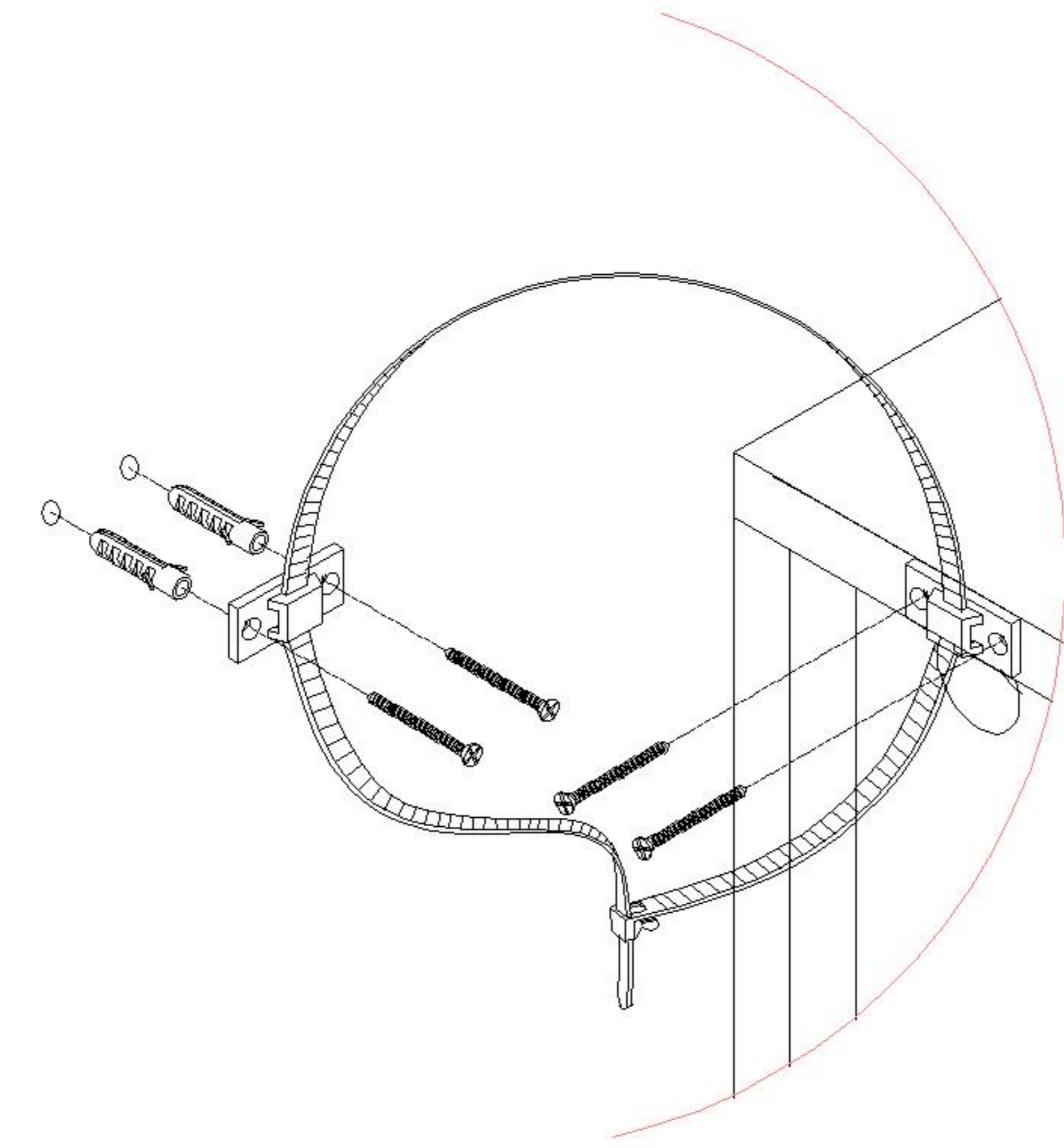
7



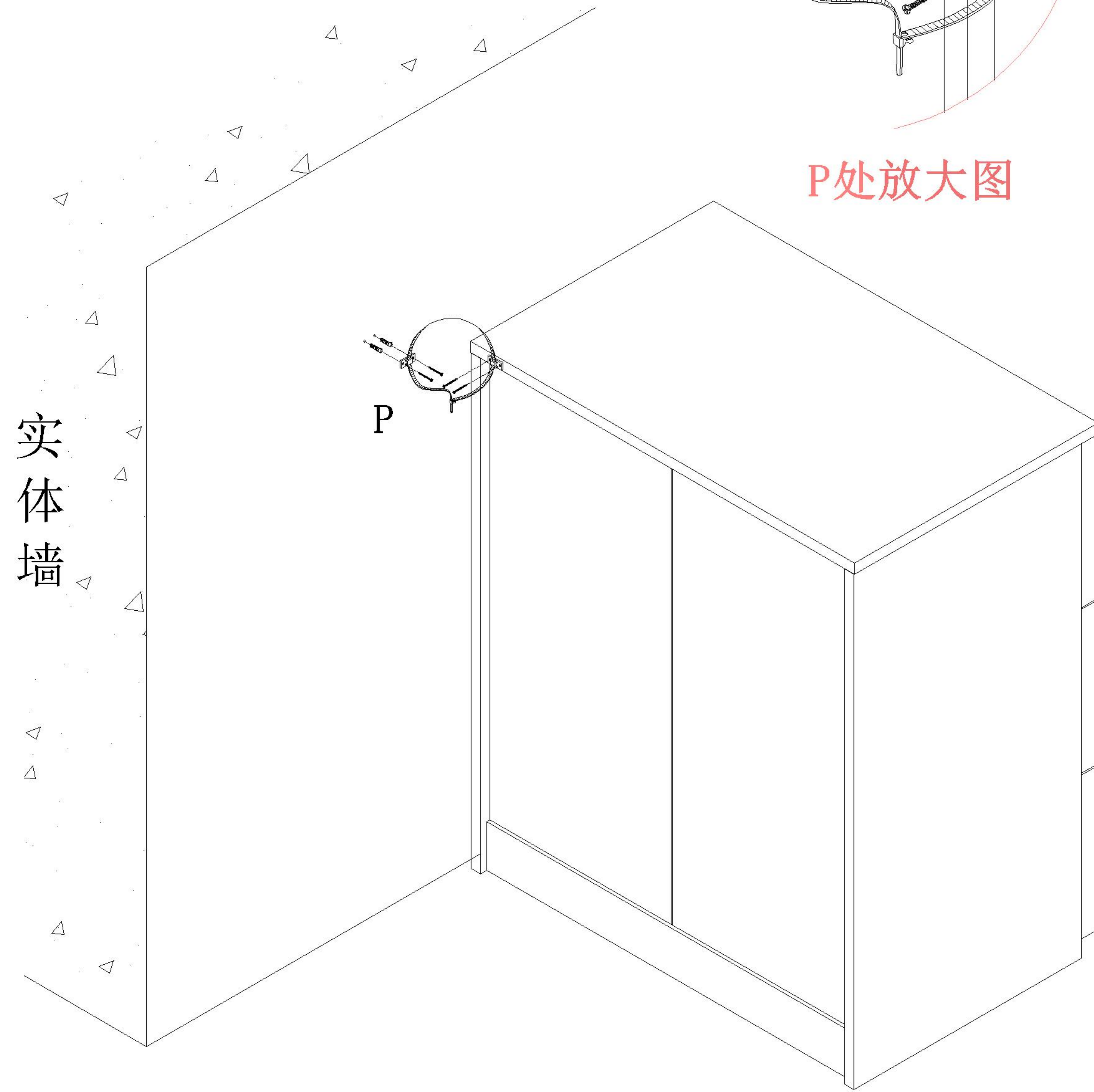
8



(P)\*1



P处放大图



实体墙

