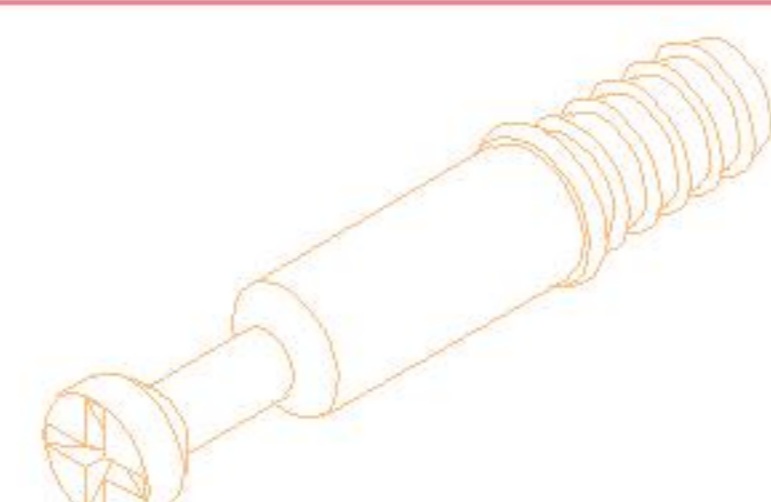
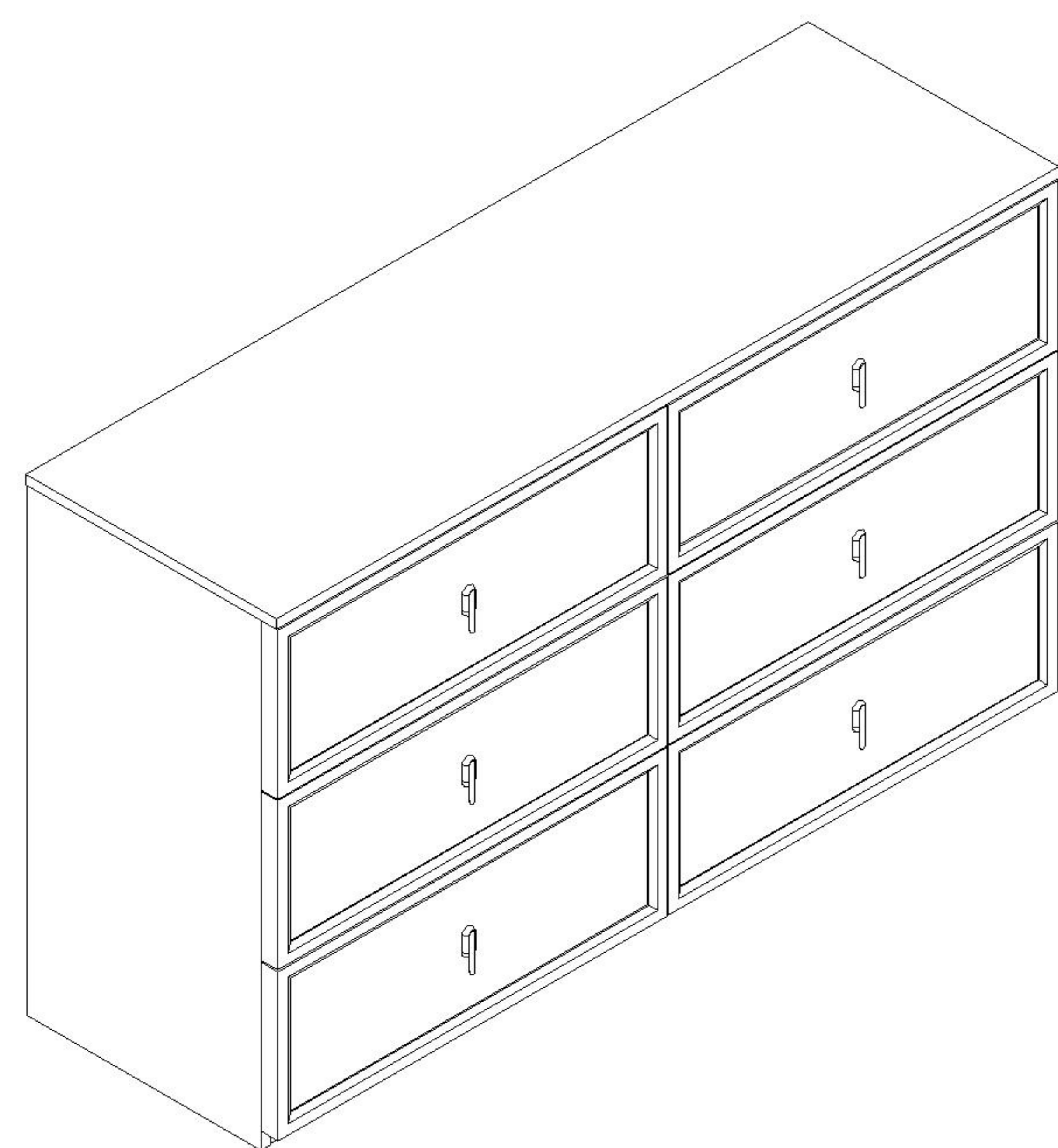
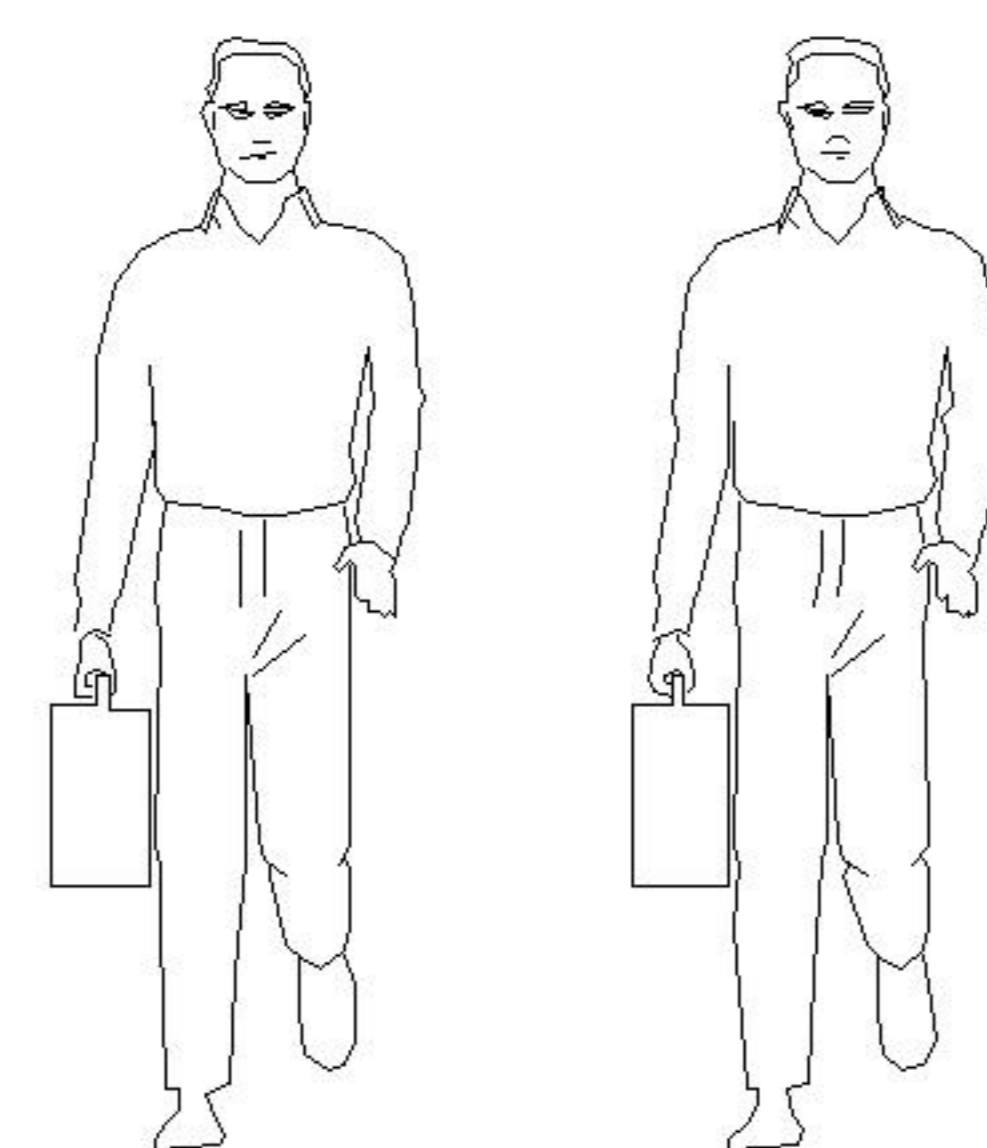
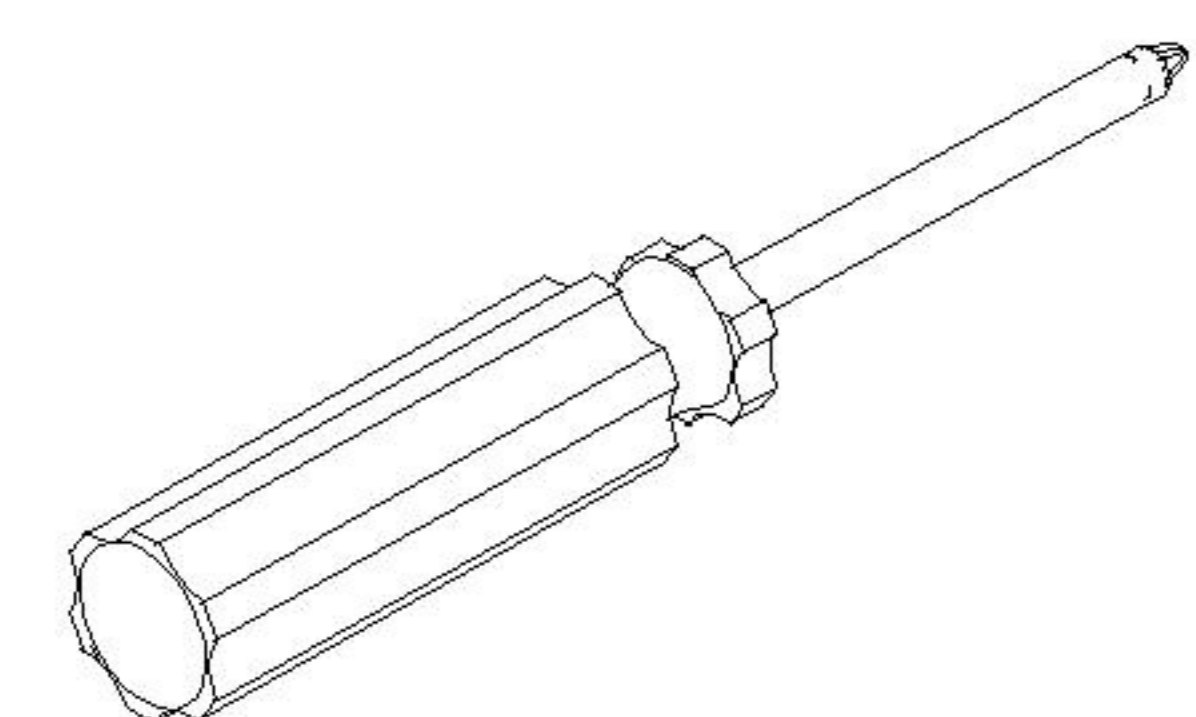


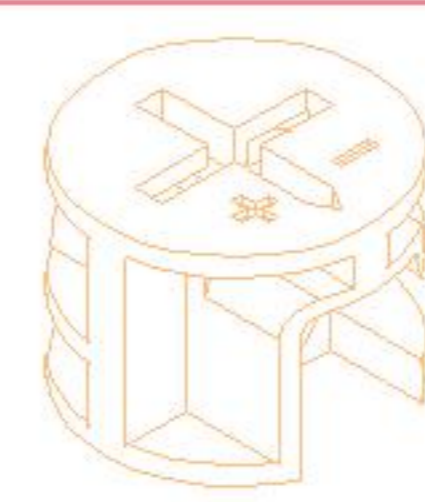
安装示意图/Assembly Instruction

产品名称 Model NO.	T02E-A
产品规格 Specification	1186*388*715 mm
安装工具 Tool	安装人数 Installer



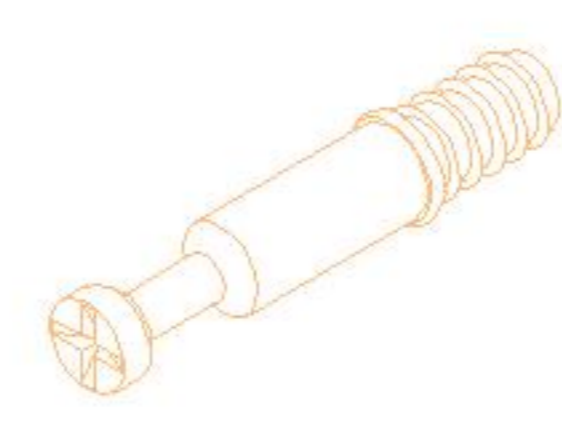
(A)* 21

二合一螺杆(35mm)
2-in-1-screw



(B)* 25

大三合一锁饼(15mm)
Three-in-one large lock



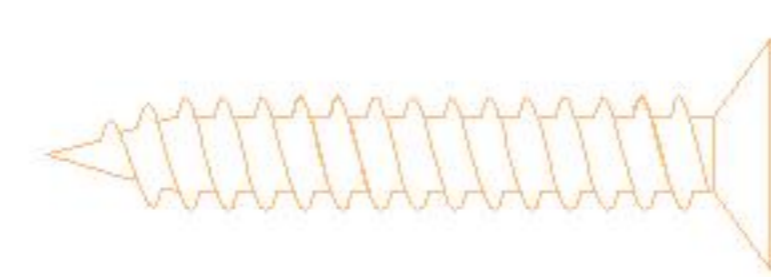
(C)* 25

小二合一杆7*28
small two-in-one rod



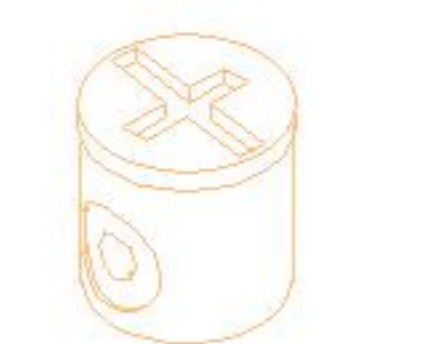
(D)* 25

小三合一锁饼(13mm)
small three-in-one lock



(E)* 25

自攻螺丝M4x40mm
Self-tapping screw



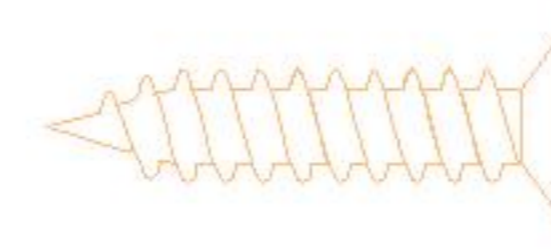
(F)* 25

塑料螺母
Plastic Nut



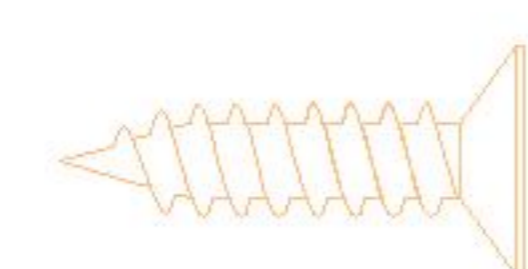
(G)* 2

双头三合一螺杆64
double-head three-in-one screw



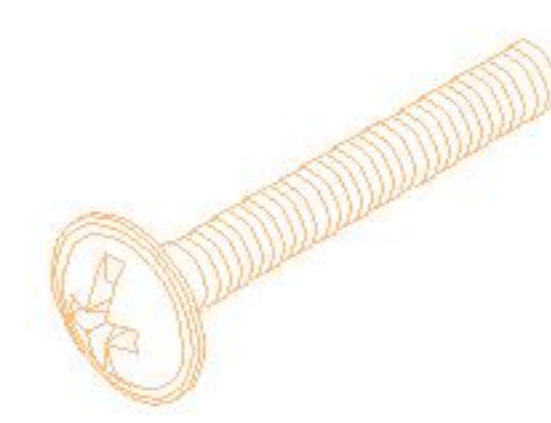
(H)* 11

自攻螺丝M3.5x16mm
Self-tapping screw



(I)* 76

自攻螺丝M3.5x12mm
Self-tapping screw



(J)* 6

拉手螺丝-M4x22mm
pulling screw



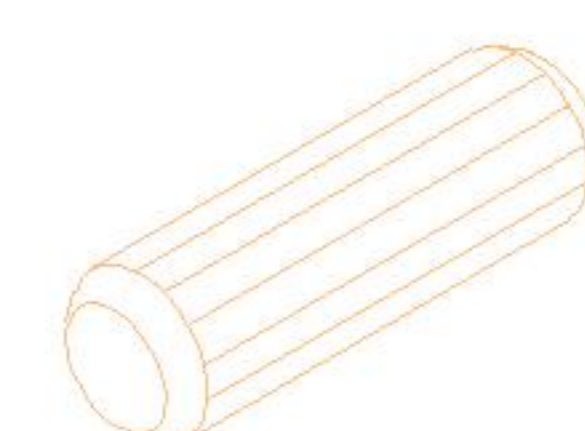
(K)* 6

香槟金一字型拉手
pulling screw



(L)* 8

脚垫-灰色
Footrest - Grey



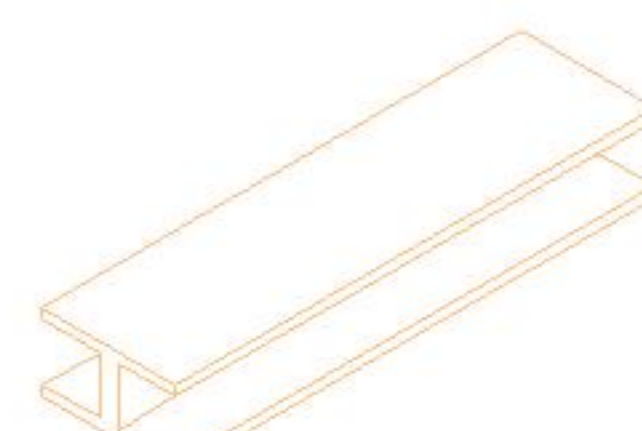
(M)* 6

木榫Ø8x30mm
wood tenon



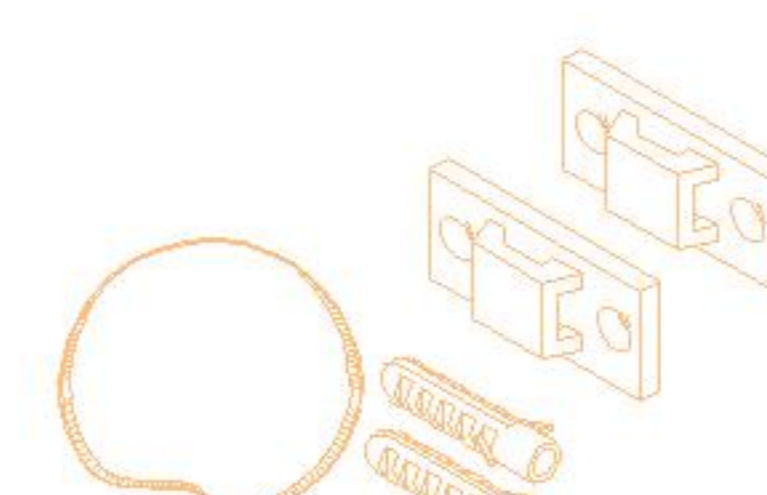
(N)* 6

三节滚珠导轨-10"
three-section ball rail



(O)* 1

背板槽-白色L-1152
Backplane slot - white



(P)* 1

家具防倒器-白色
Anti-fall device white



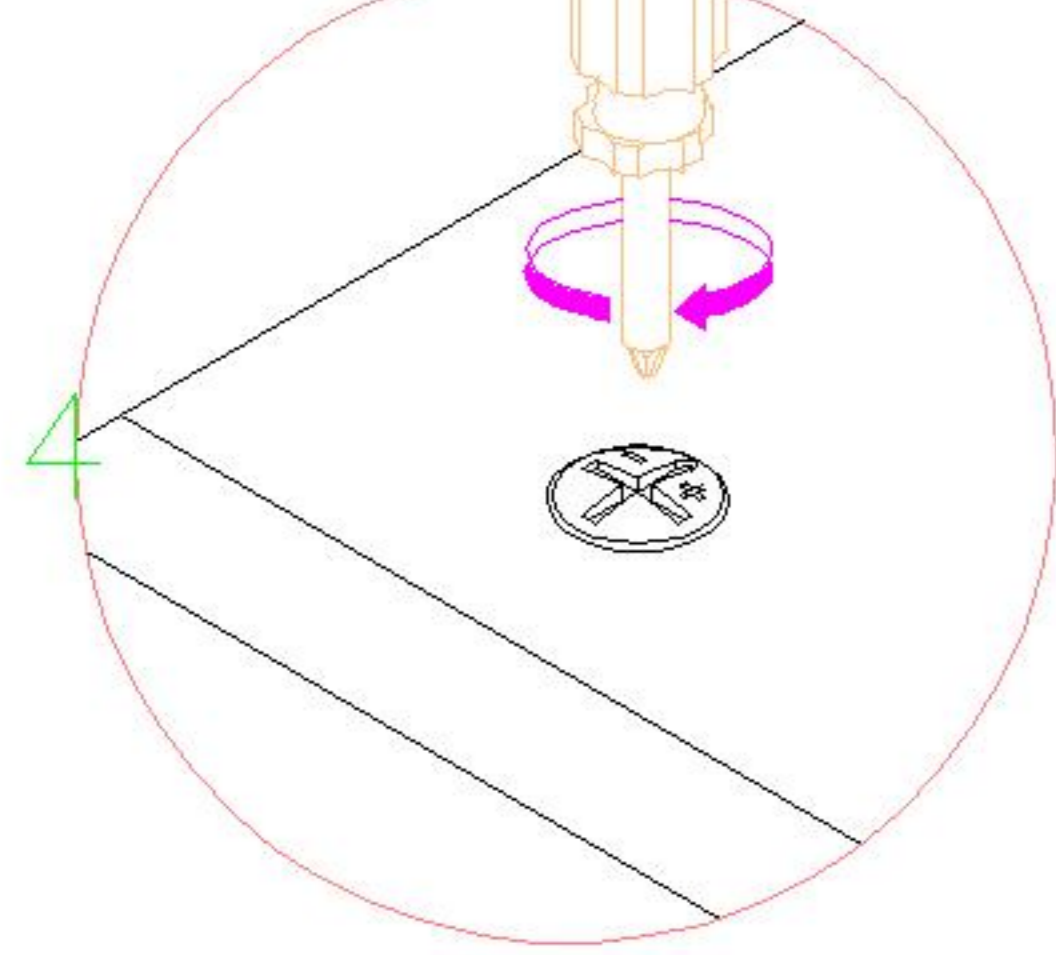
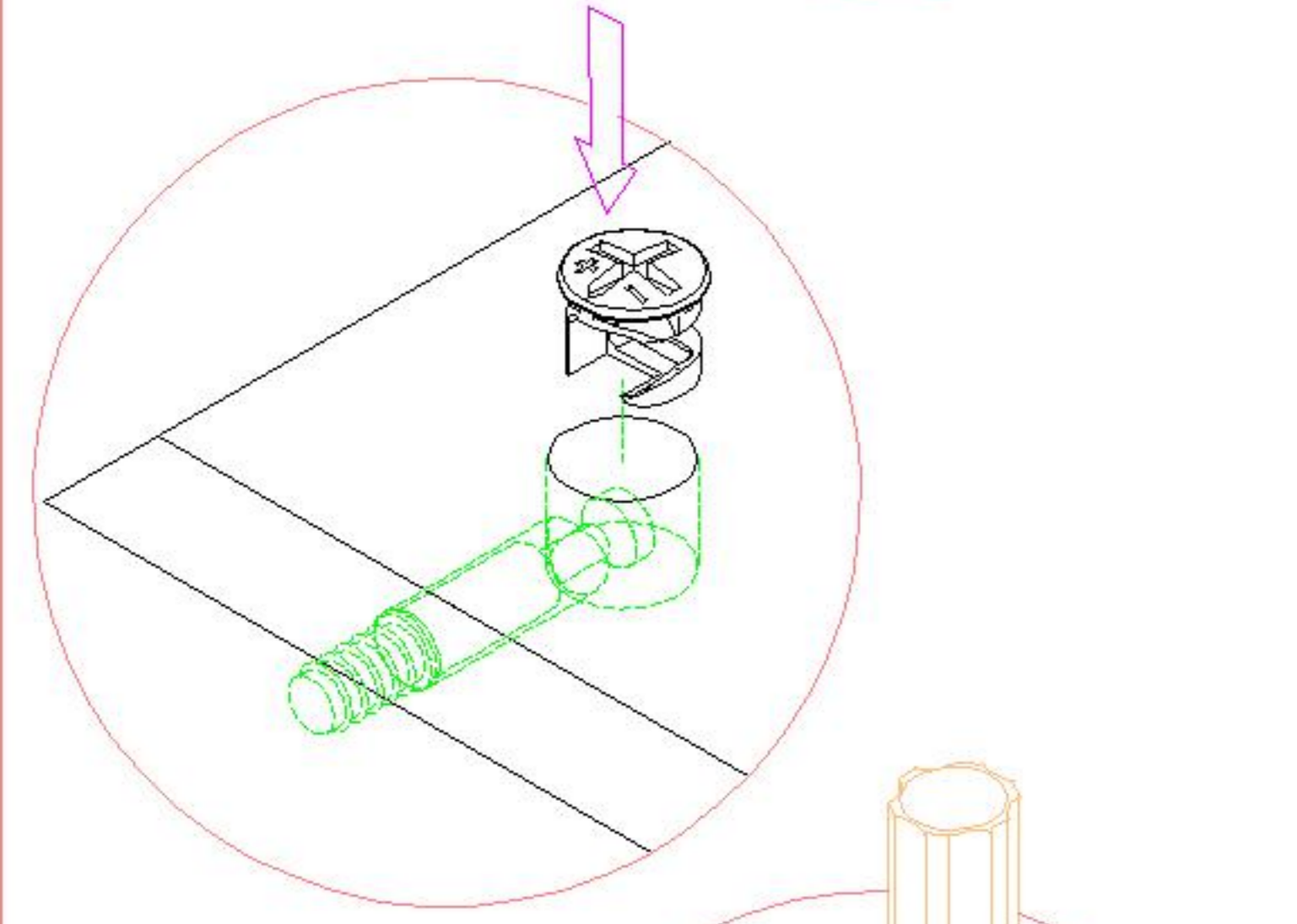
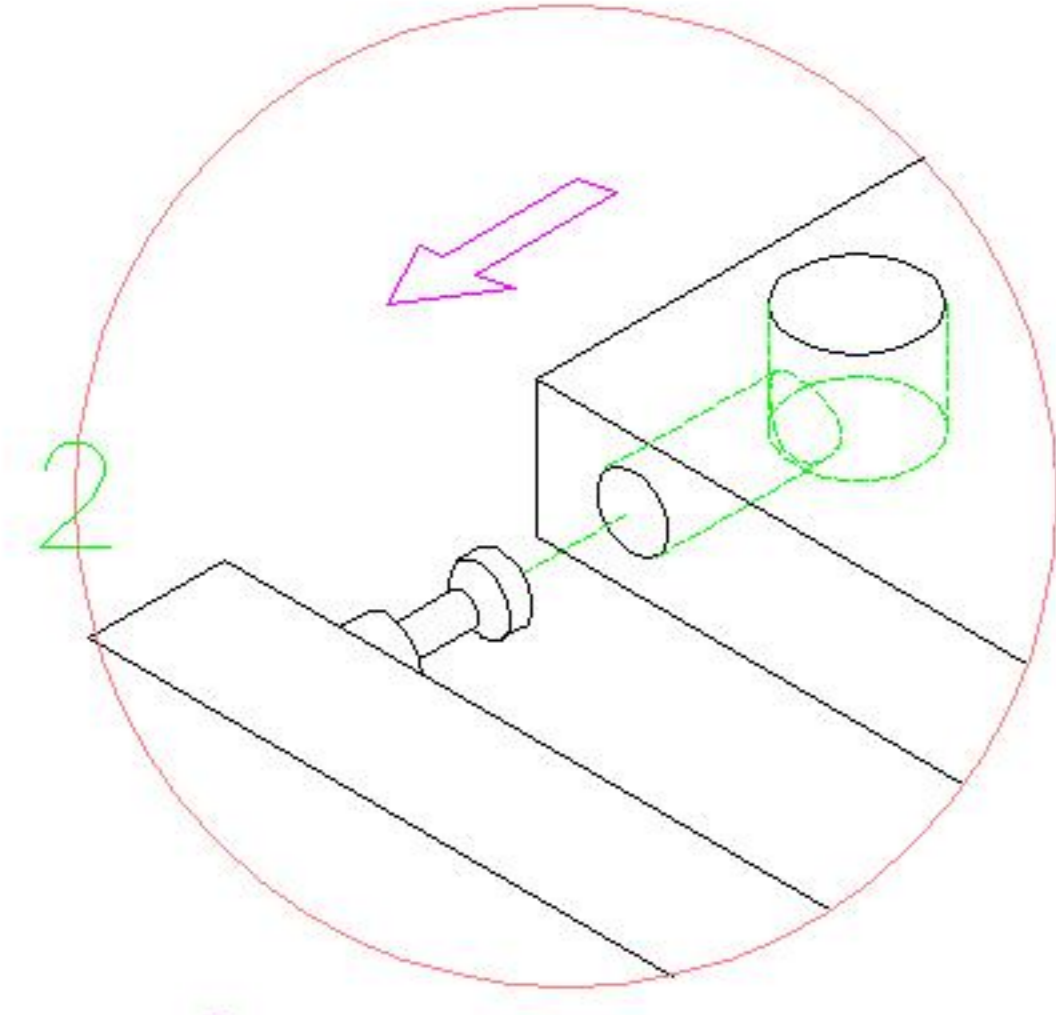
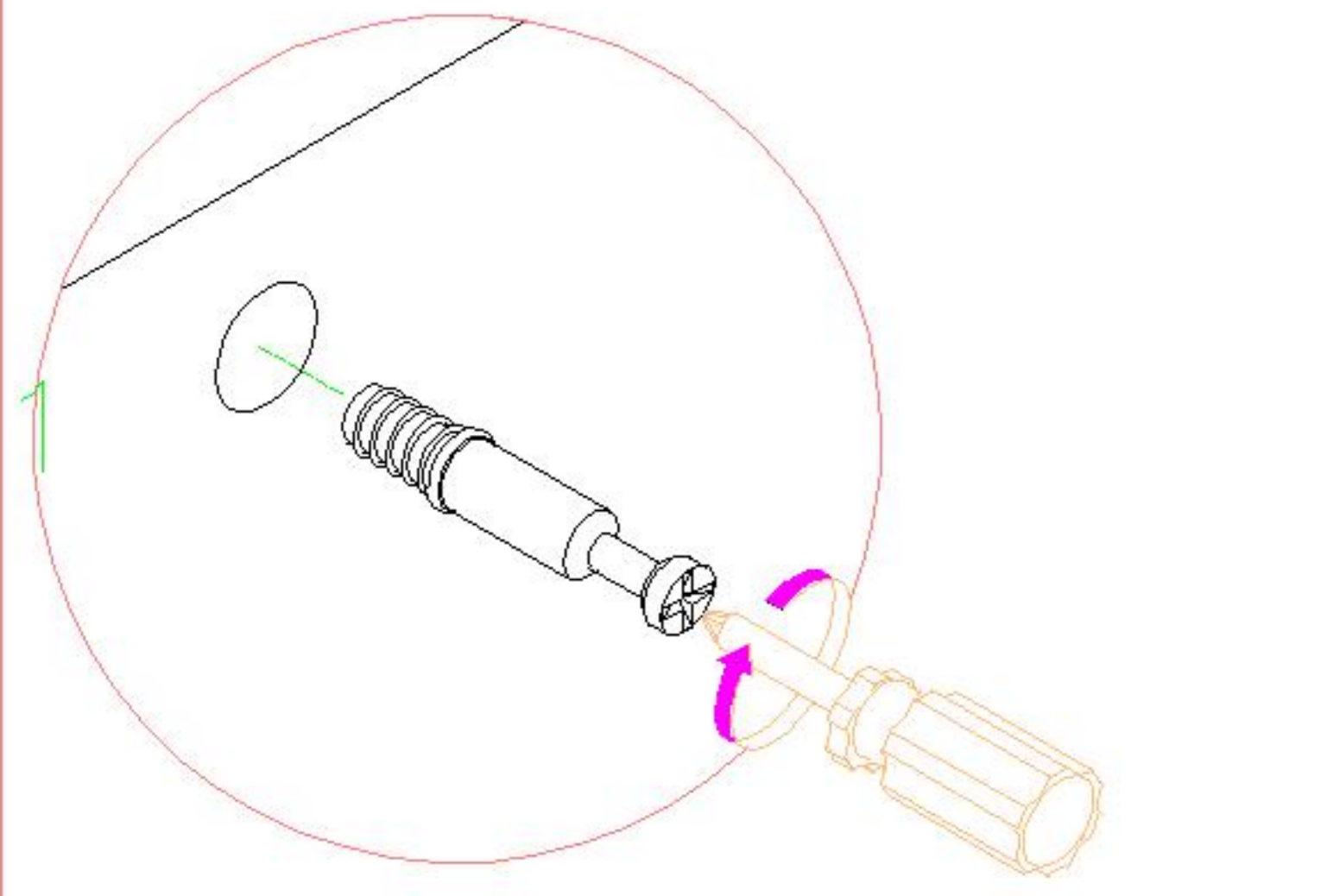
(Q)* 11

背板扣
Back Plate Buckle-White

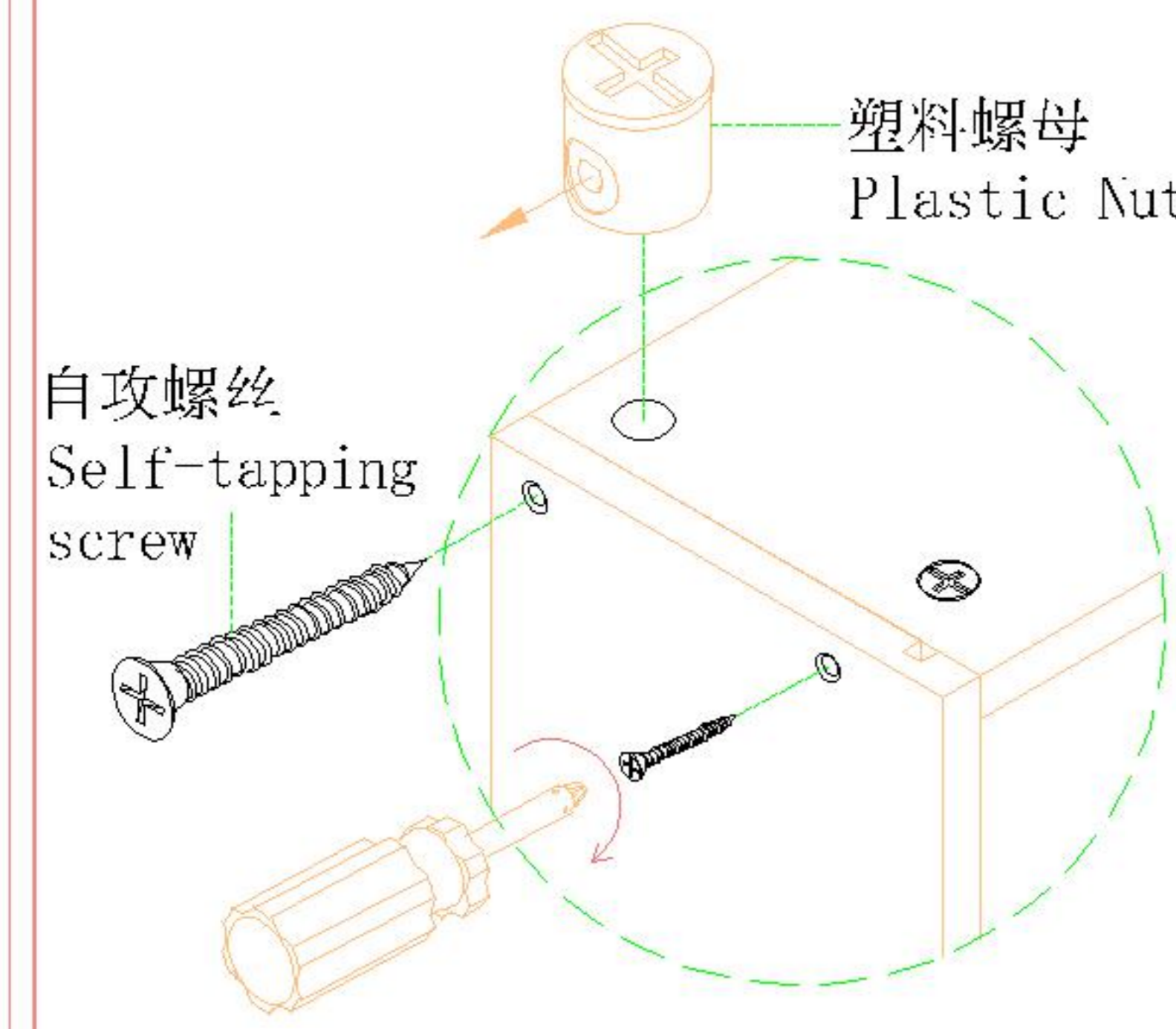
编号NO.	名称Name	规格 (mm) Specification	数量QTY	材质Material
①	面板Top panel	1186*380*15	1	三胺板 Melamine
②	左侧板Side board (L)	697*355*15	1	三胺板 Melamine
③	右侧板Side board (R)	697*355*15	1	三胺板 Melamine
④	中侧板Middle side board	671*333*15	1	三胺板 Melamine
⑤	中拉条Brace	569.5*58*25	2	三胺板 Melamine
⑥	前拉条Front brace	1154*58*25	1	三胺板 Melamine
⑦	后拉条Back brace	1154*58*25	1	三胺板 Melamine
⑧	抽屉左侧板Drawer's side board (L)	295*142*12	6	三胺板 Melamine
⑨	抽屉右侧板Drawer's side board (R)	295*142*12	6	三胺板 Melamine
⑩	抽屉后板Drawer's Back board	520*142*12	6	三胺板 Melamine
⑪	抽屉底板Drawer's Bottom board	530*291*5	6	三胺板 Melamine
⑫	背板Back board	1164*340*5	2	三胺板 Melamine
⑬	左抽屉面板Drawer's panel (L)	590*222*23	3	三胺板 Melamine
⑭	右抽屉面板Drawer's panel (R)	590*222*23	3	三胺板 Melamine

T02E-A

安装方法/
Installation method

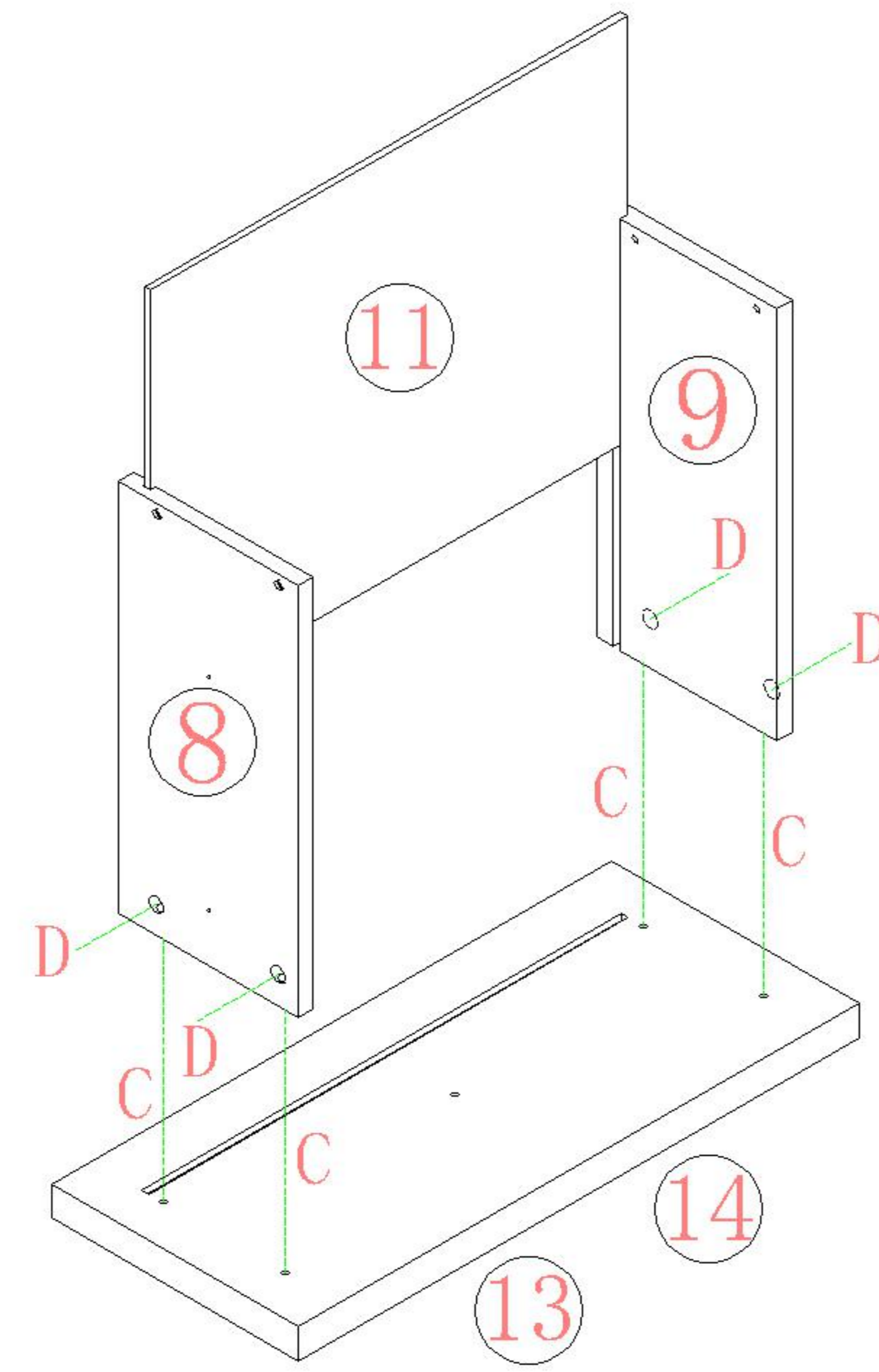


小二合一
small two-in-one

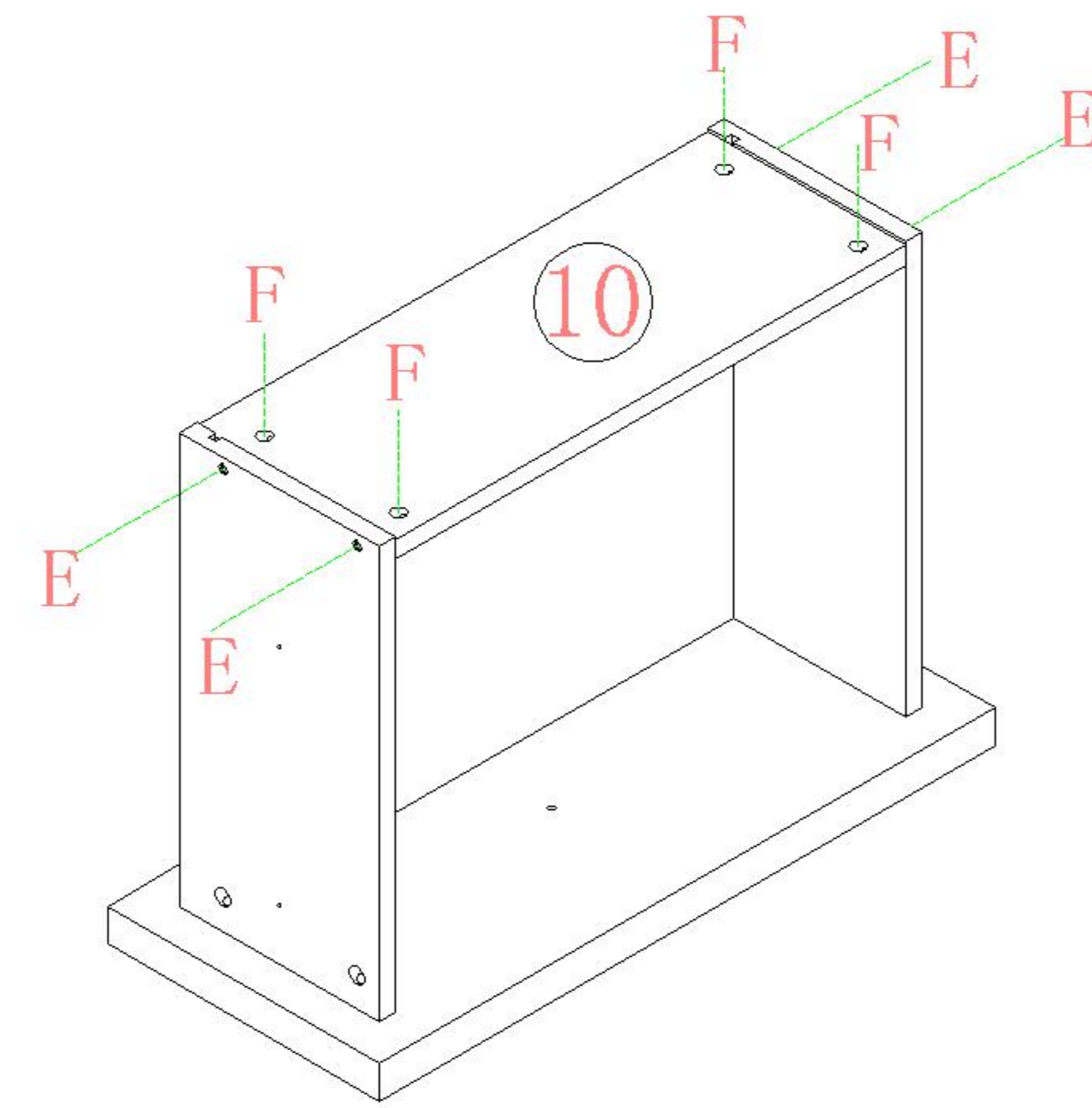


塑料螺母
Plastic Nut

- (C) *24
- (D) *24
- (E) *24
- (F) *24

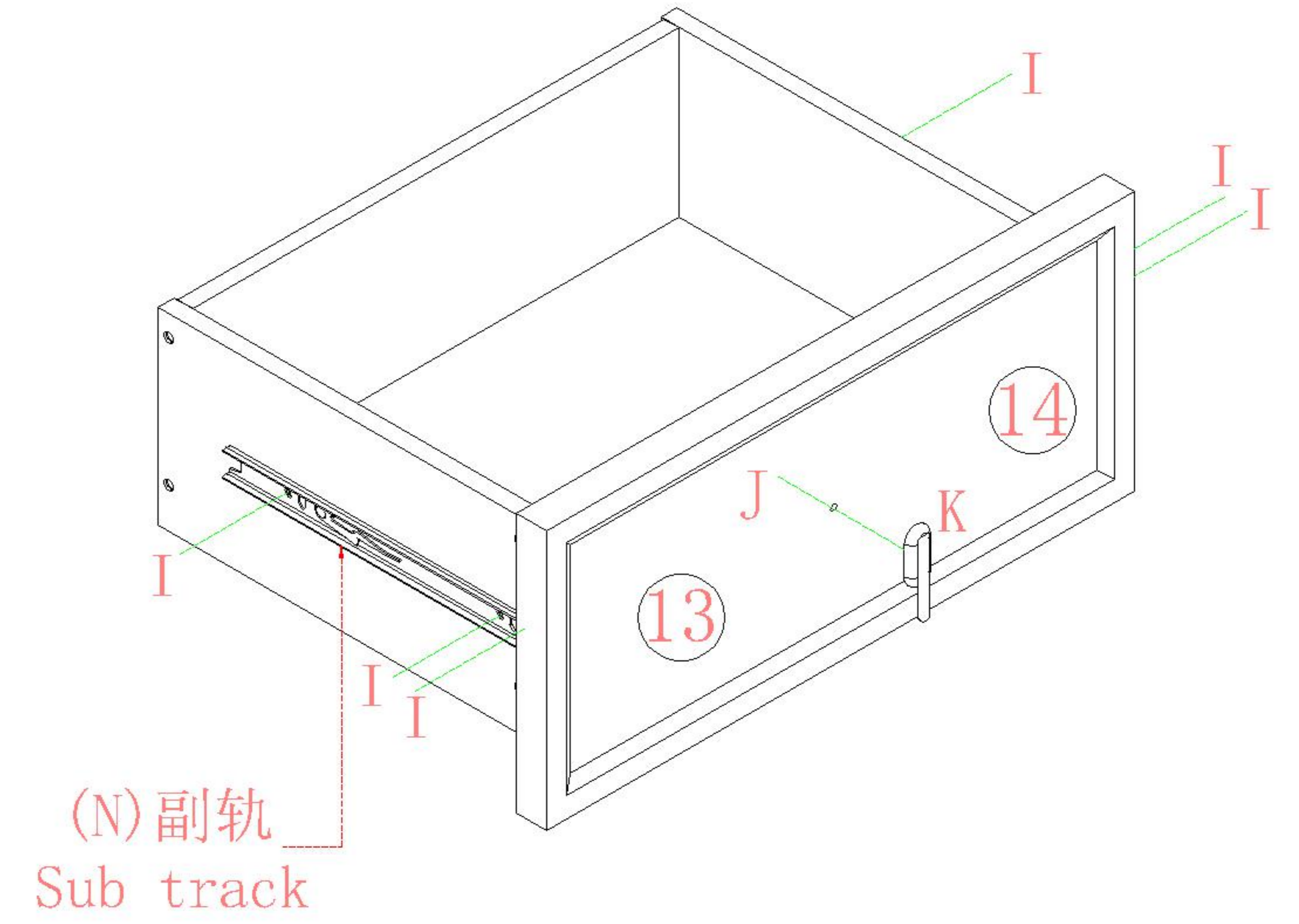


× 6



1

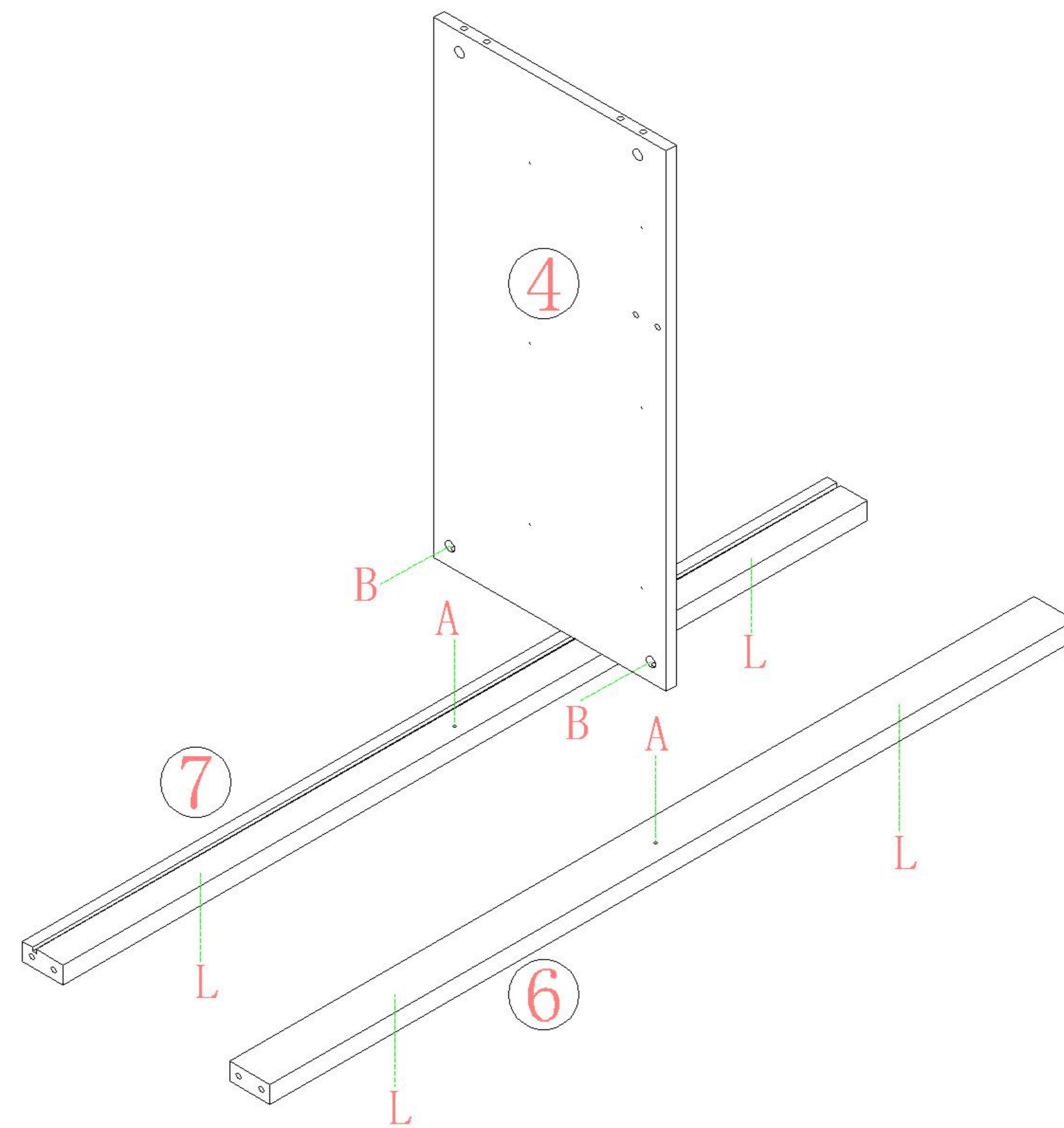
- (I) *36
- (J) *6
- (K) *6
- (N) *6



× 6

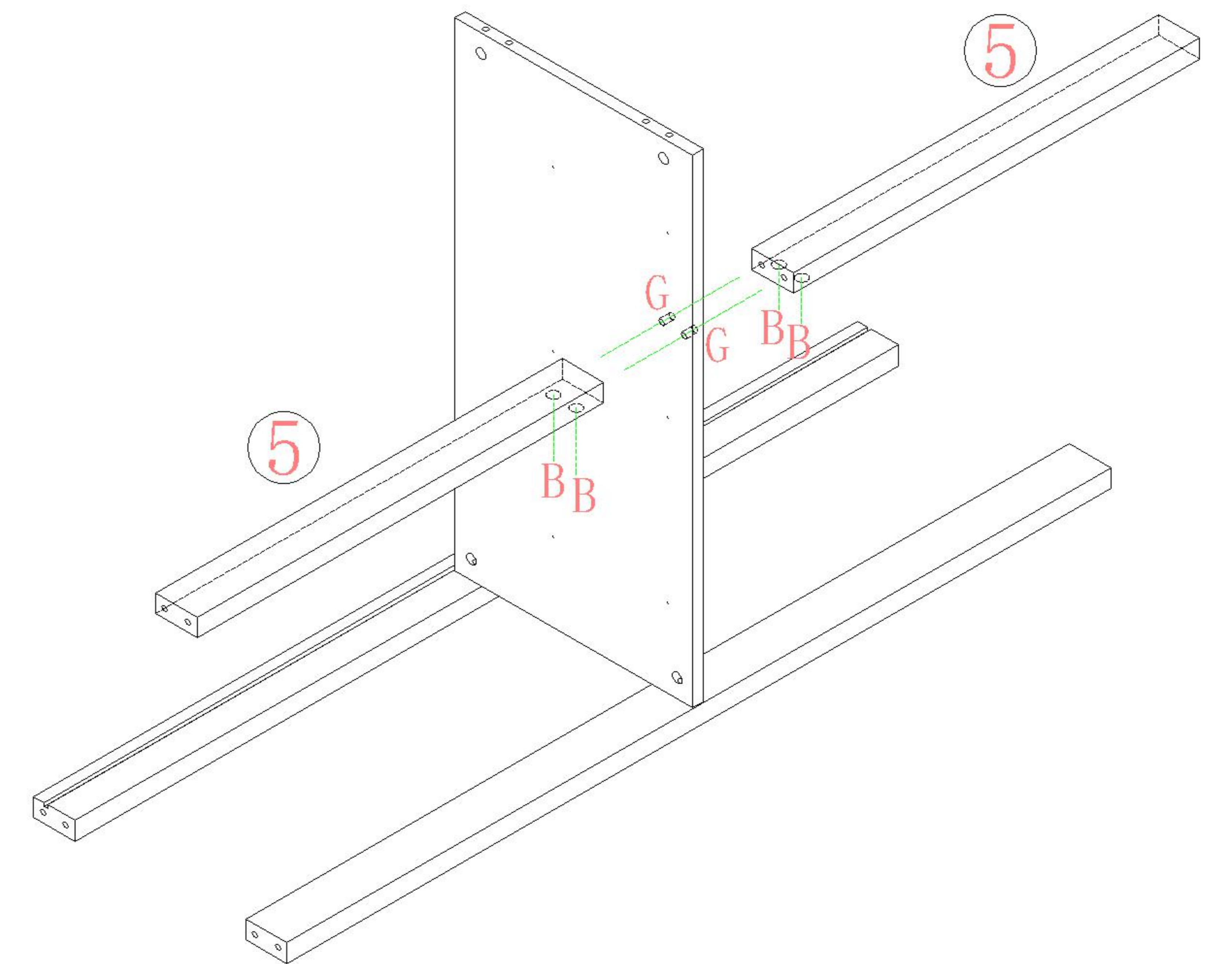
2

- (A) *2
- (B) *2
- (L) *4



3

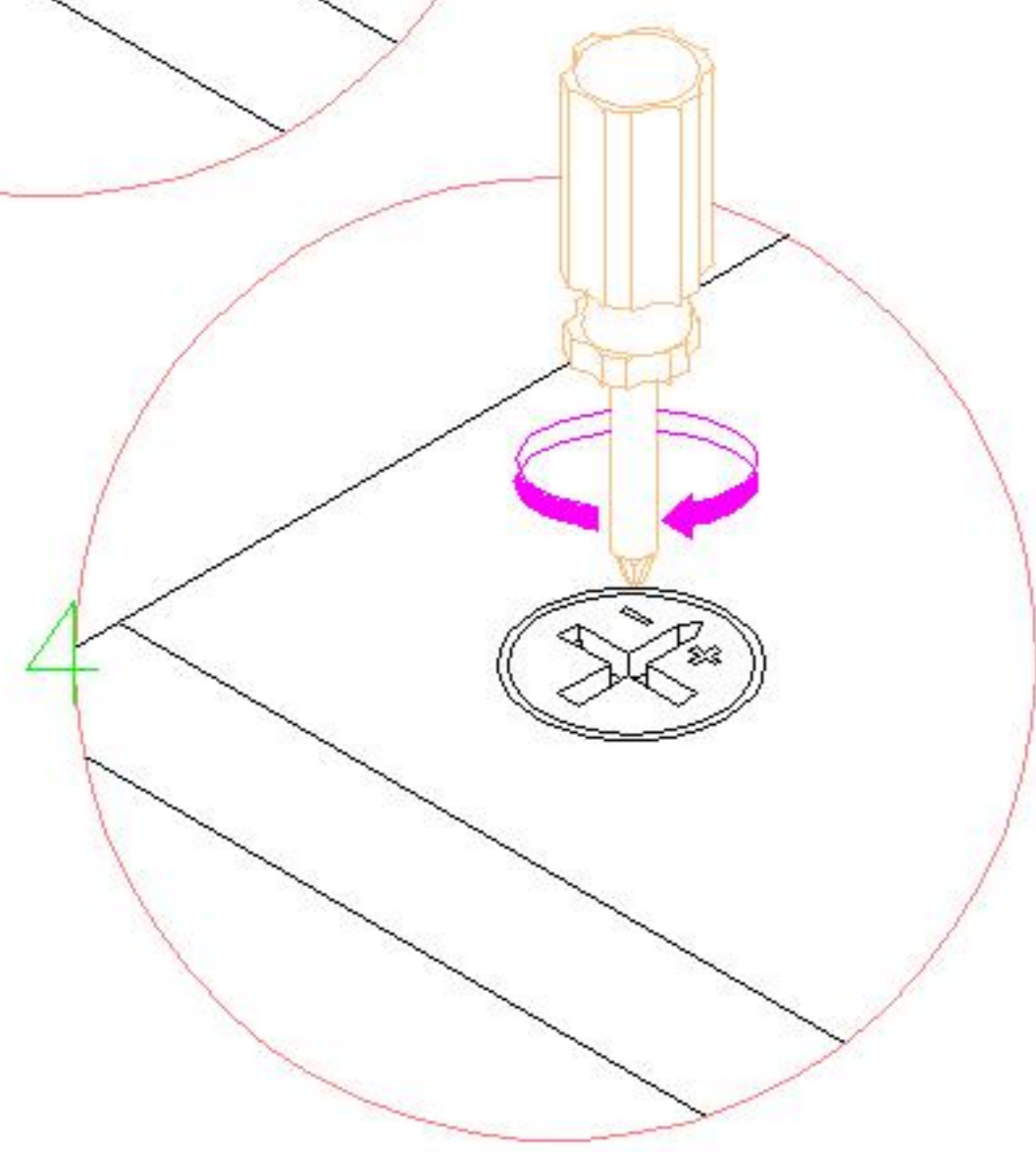
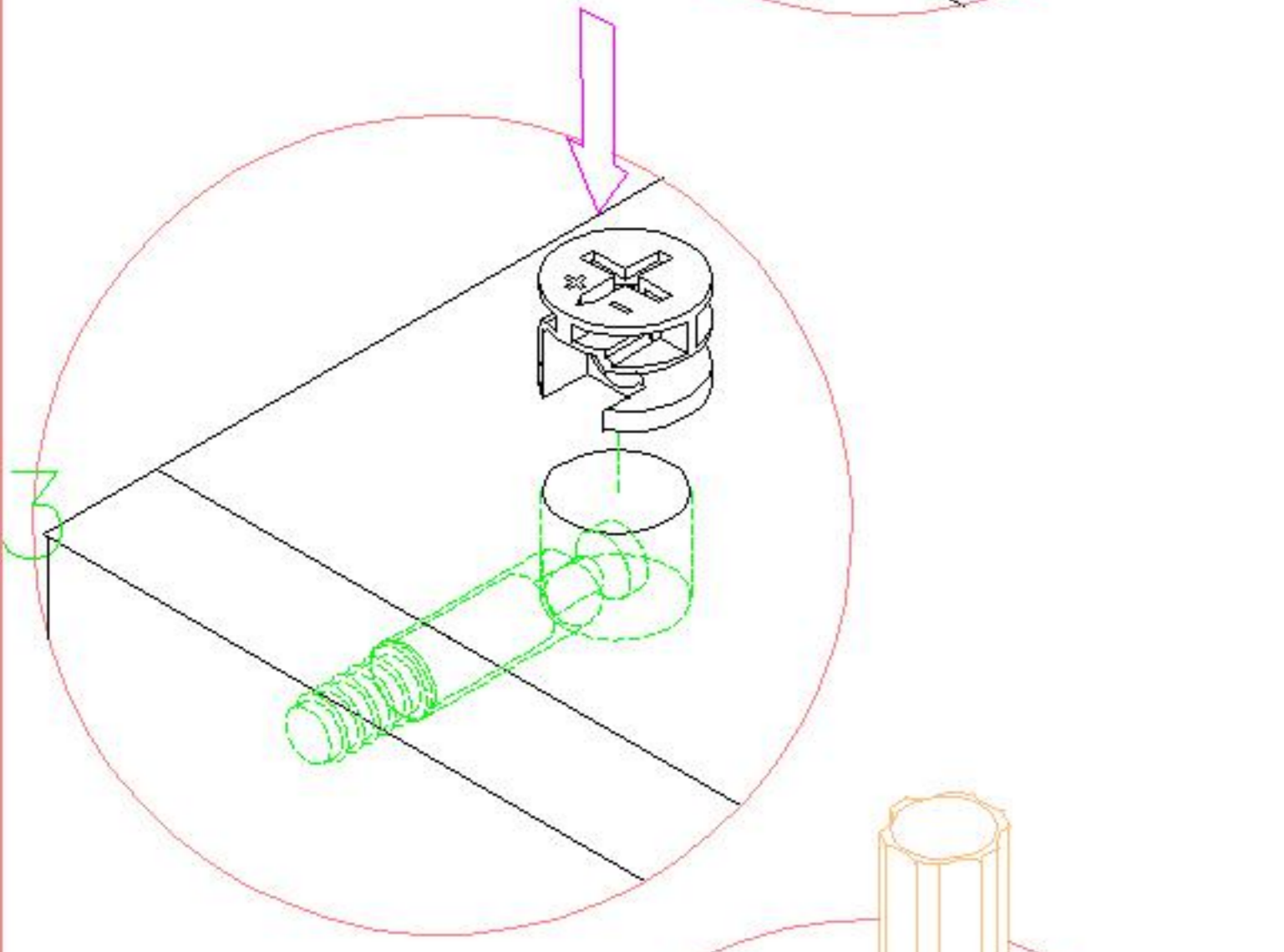
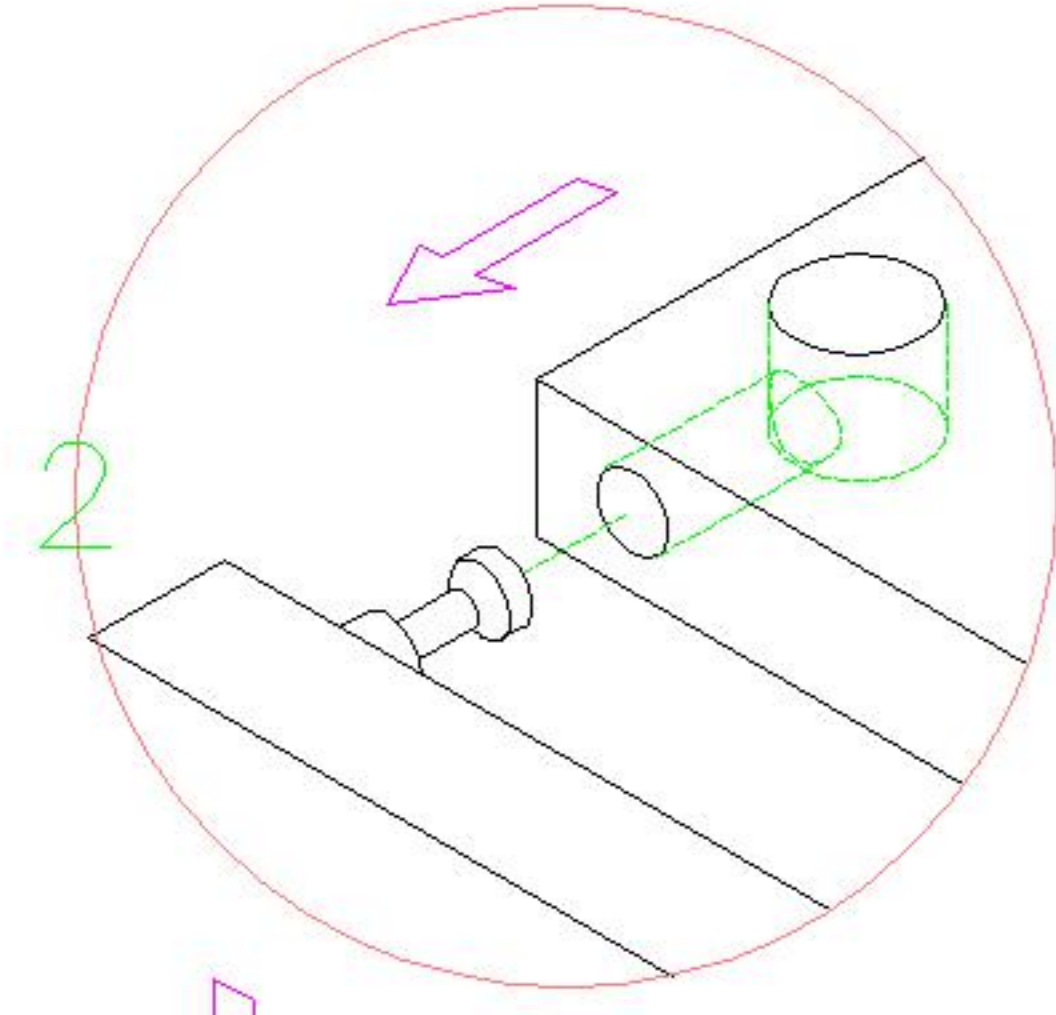
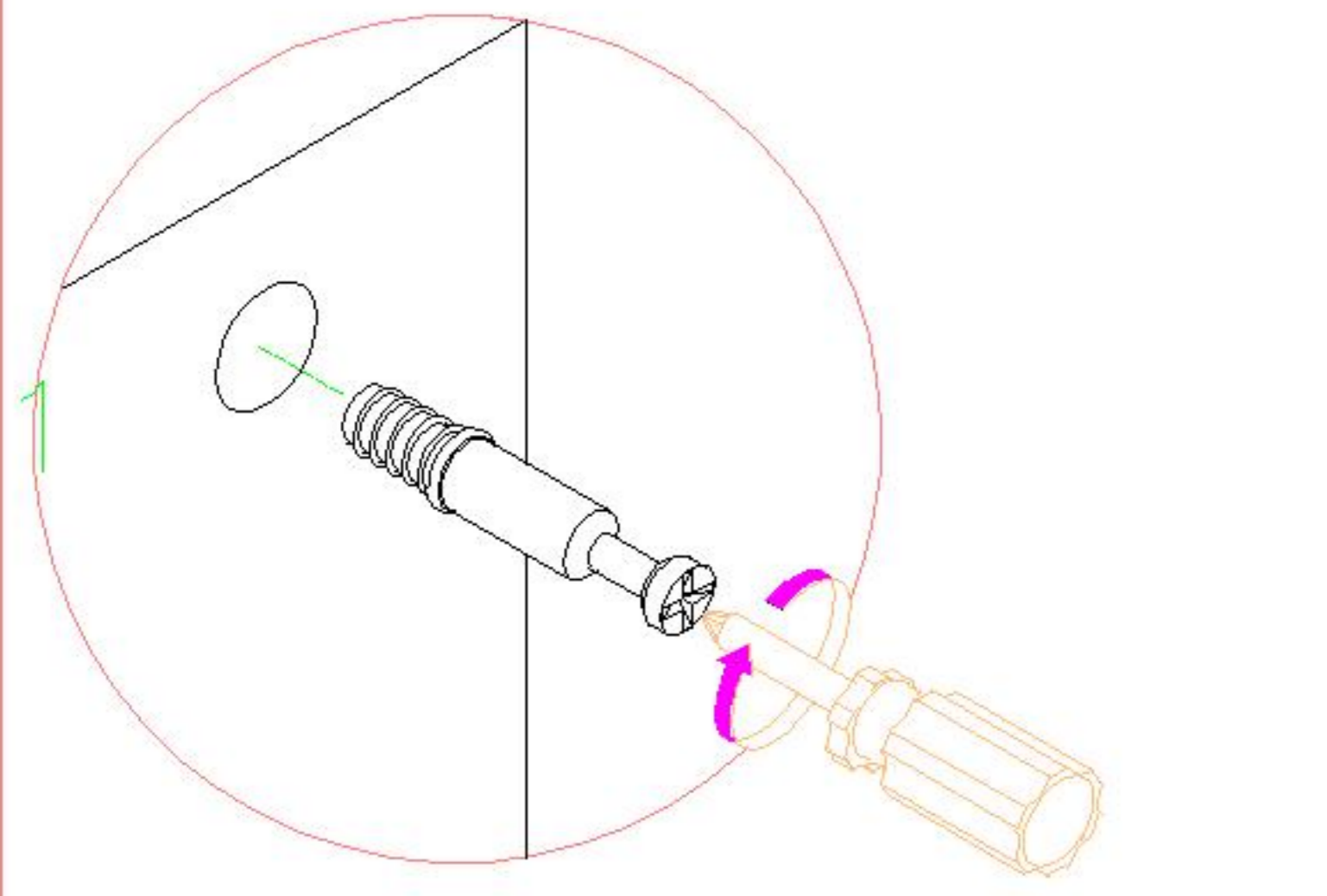
- (B) *4
- (G) *2






4

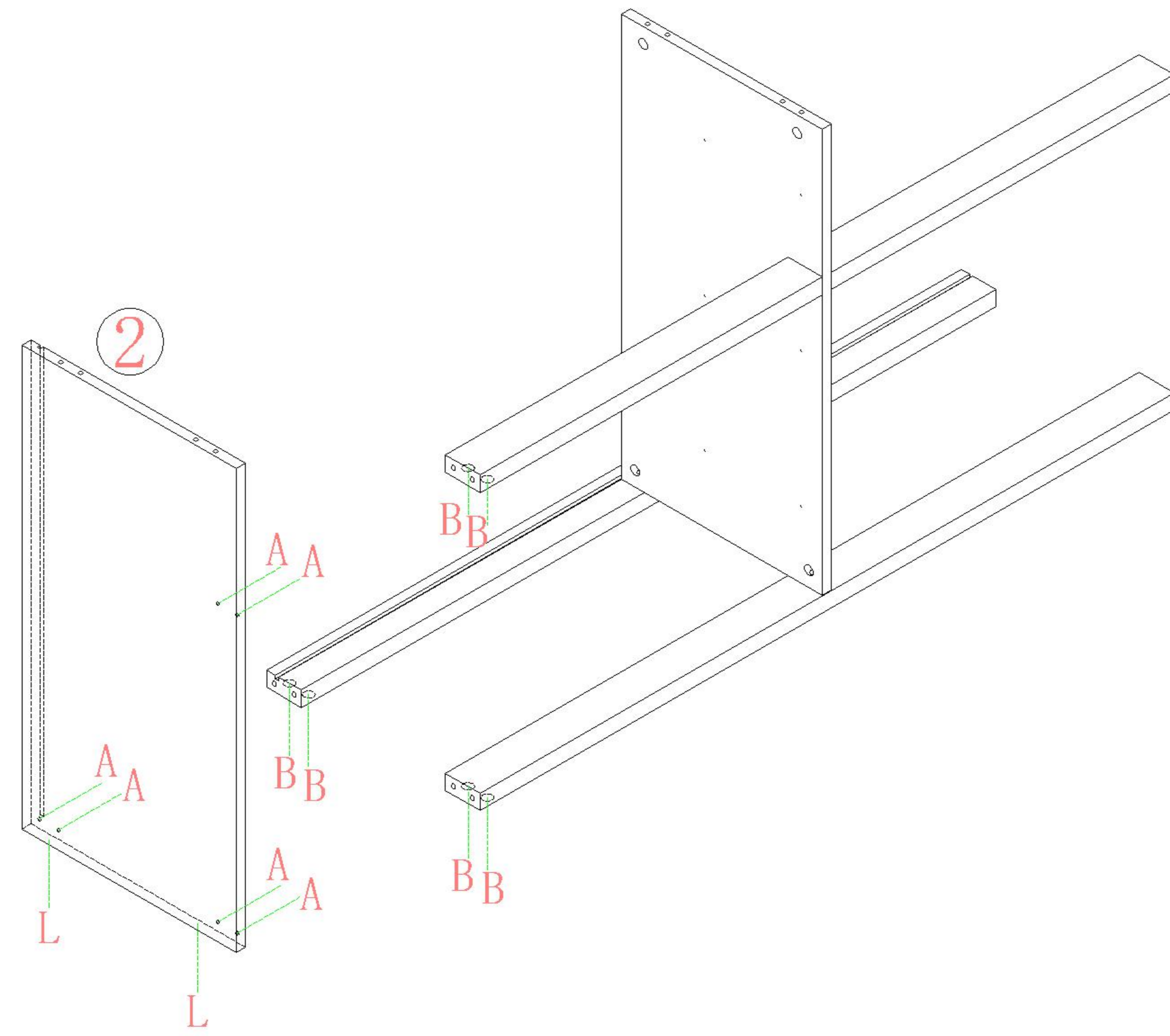
T02E-A

安装方法/
Installation method

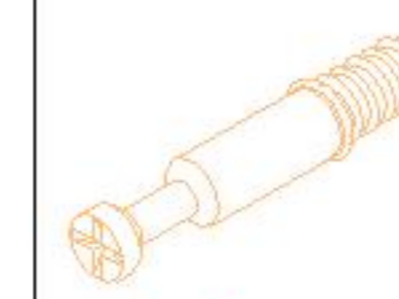
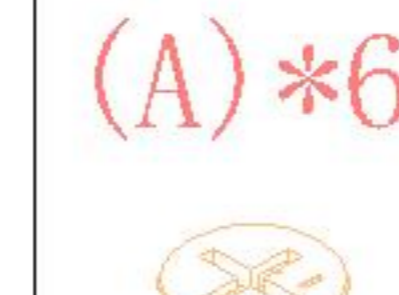



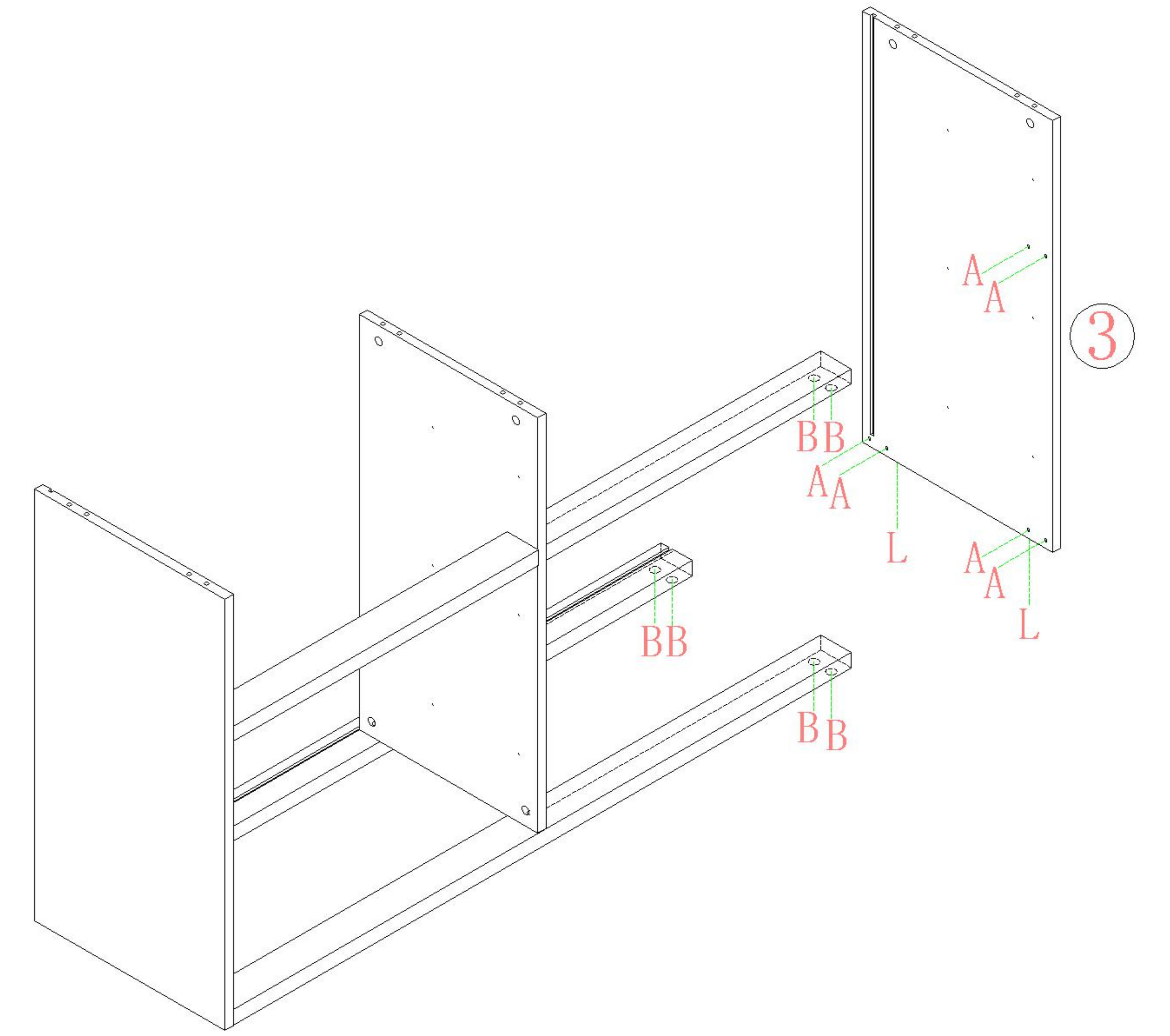
大二合一
two-in-one

-  (A)*6
-  (B)*6
-  (L)*2

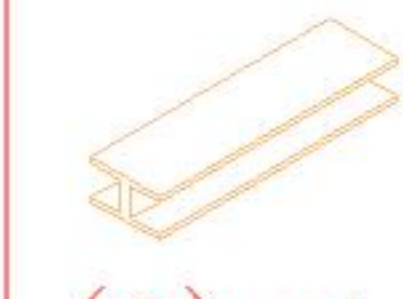


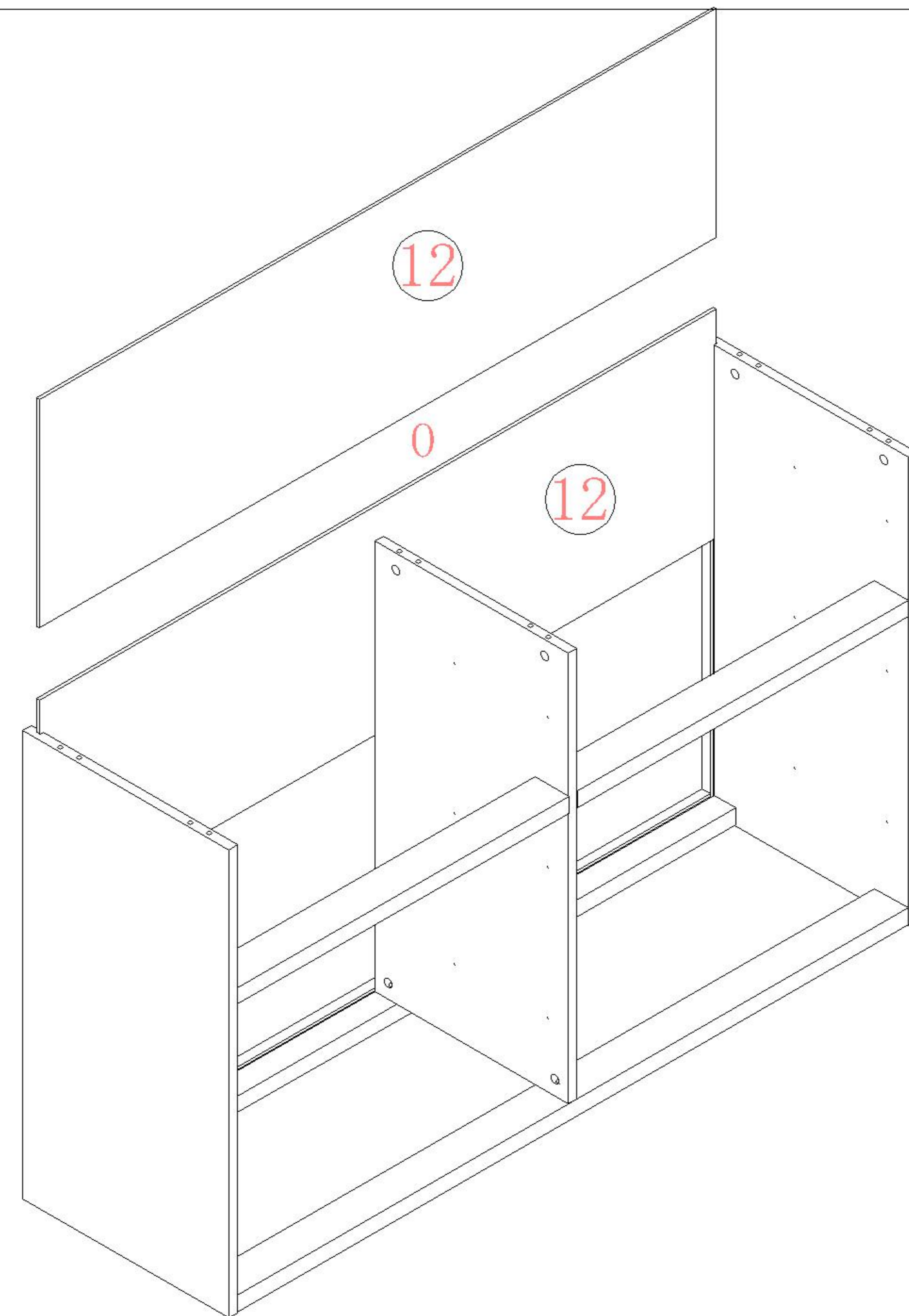
4

-  (A)*6
-  (B)*6
-  (L)*2






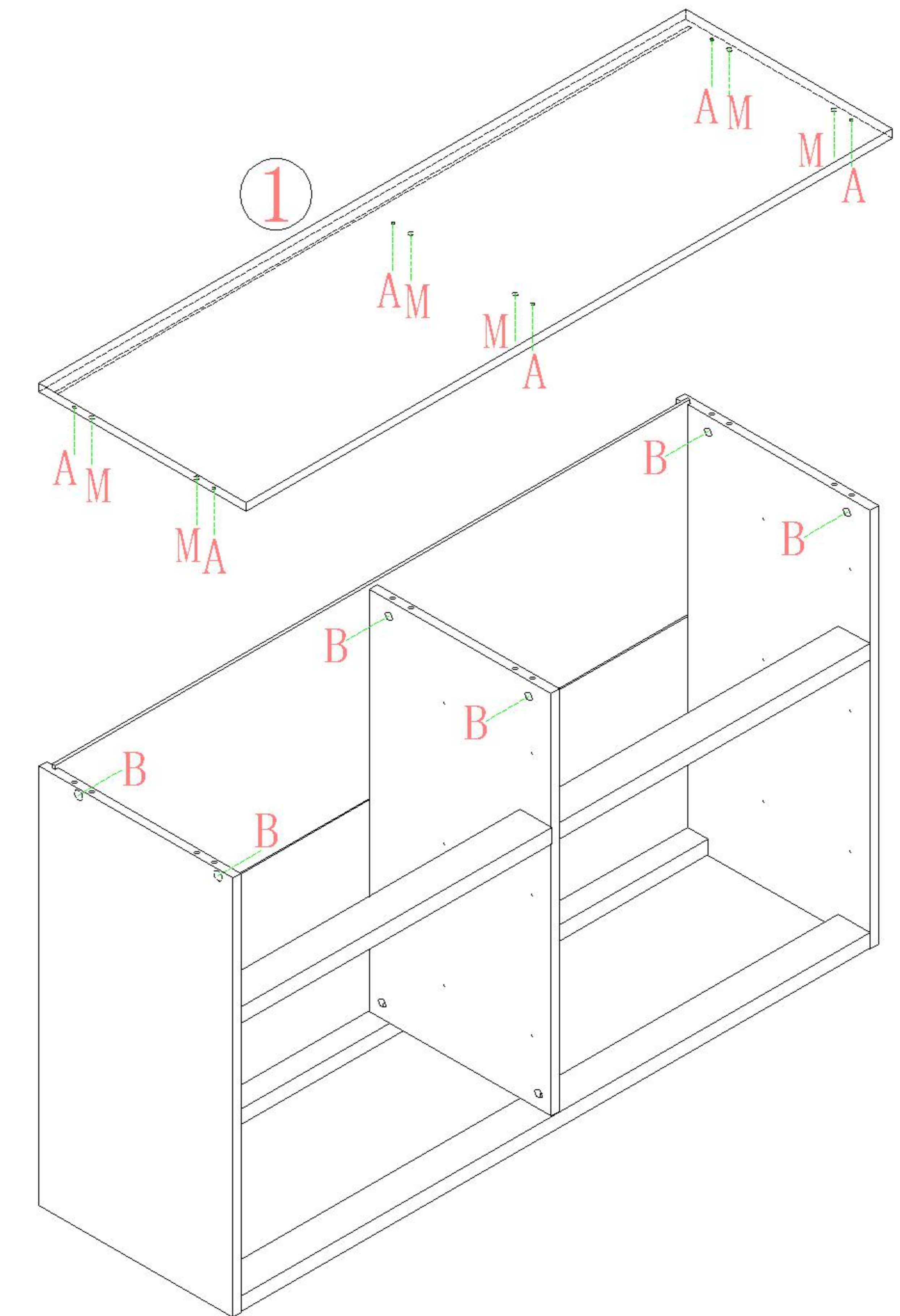
5

-  (O)*1



6

-  (A)*6
-  (B)*6
-  (M)*6

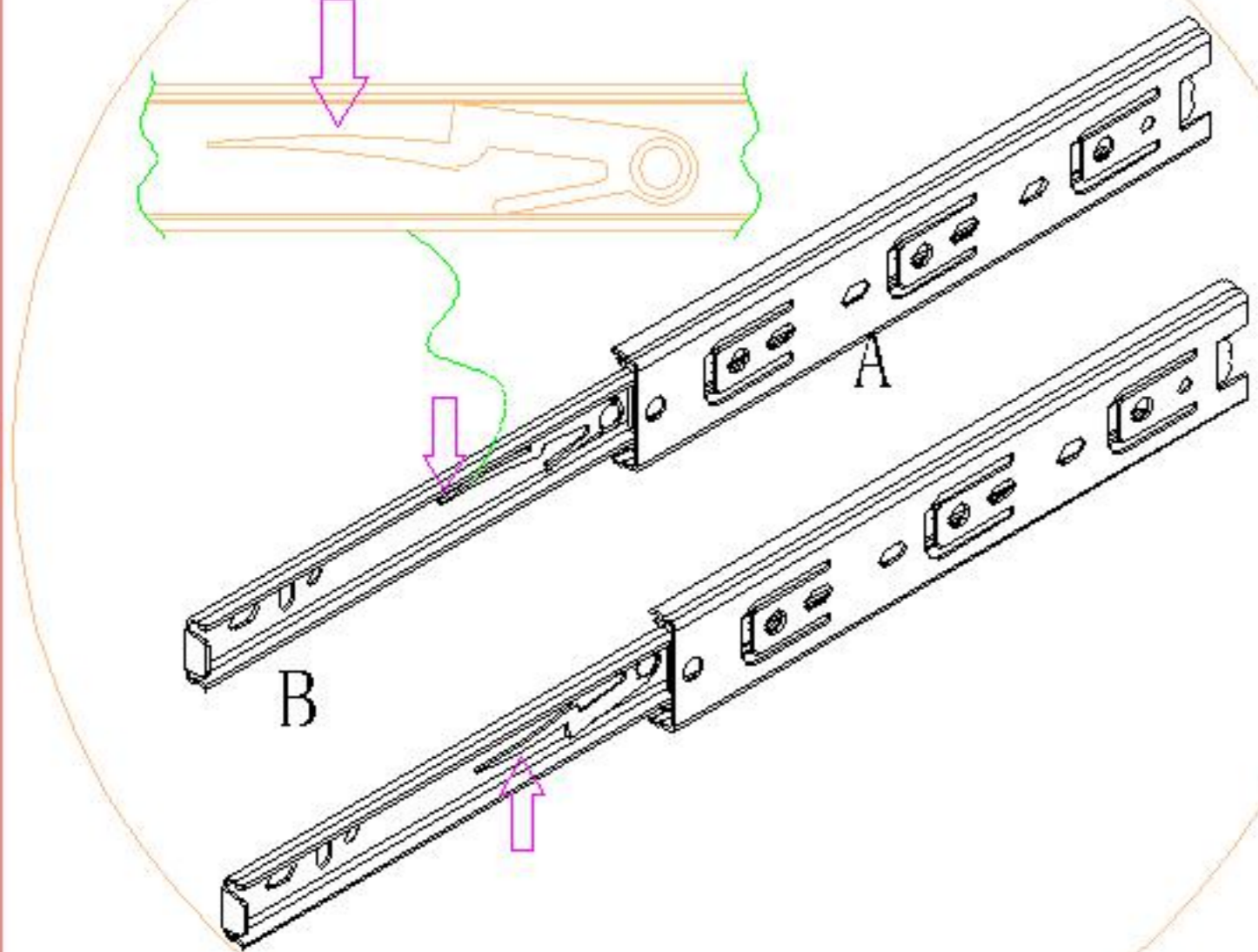


7

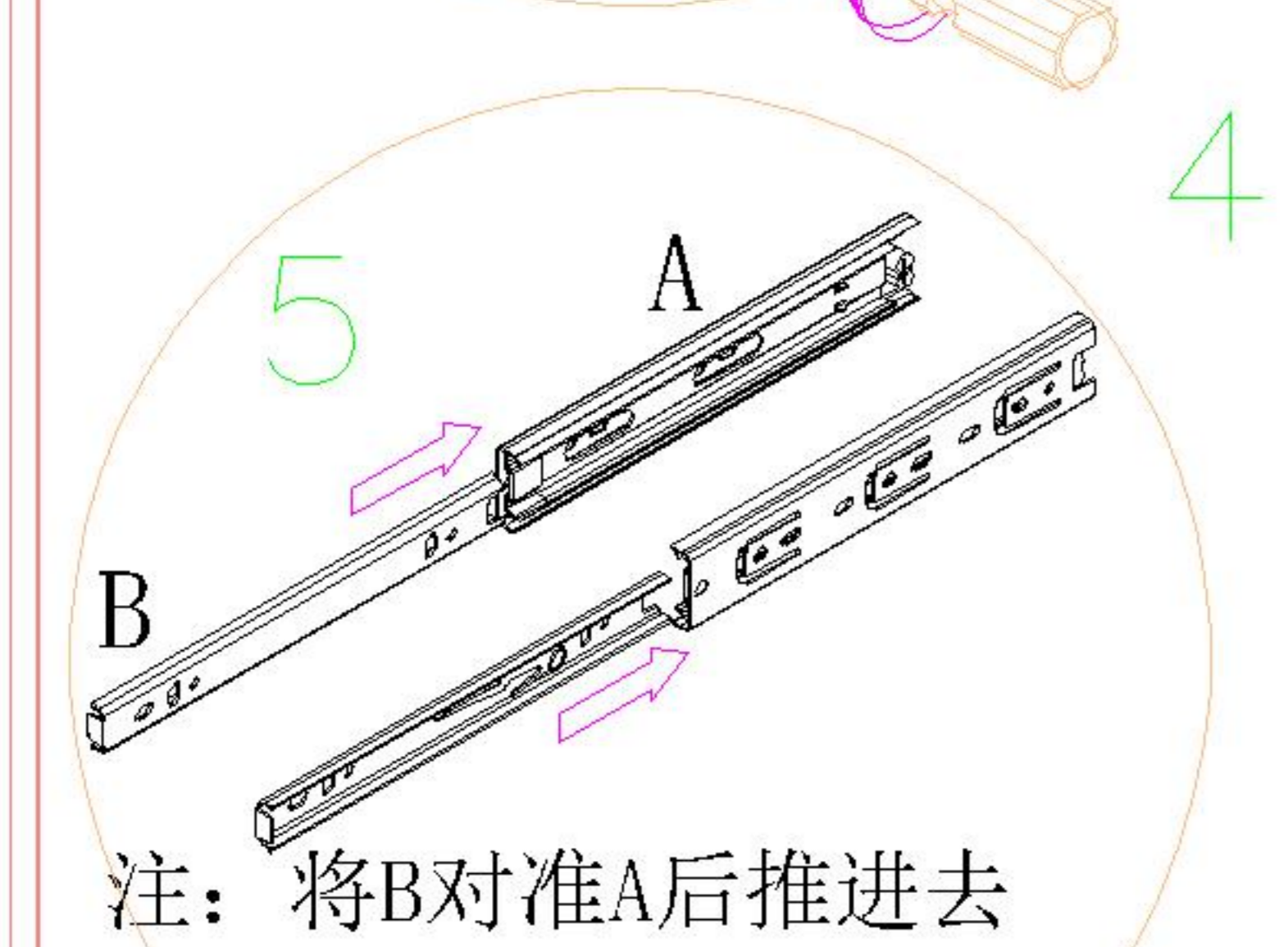
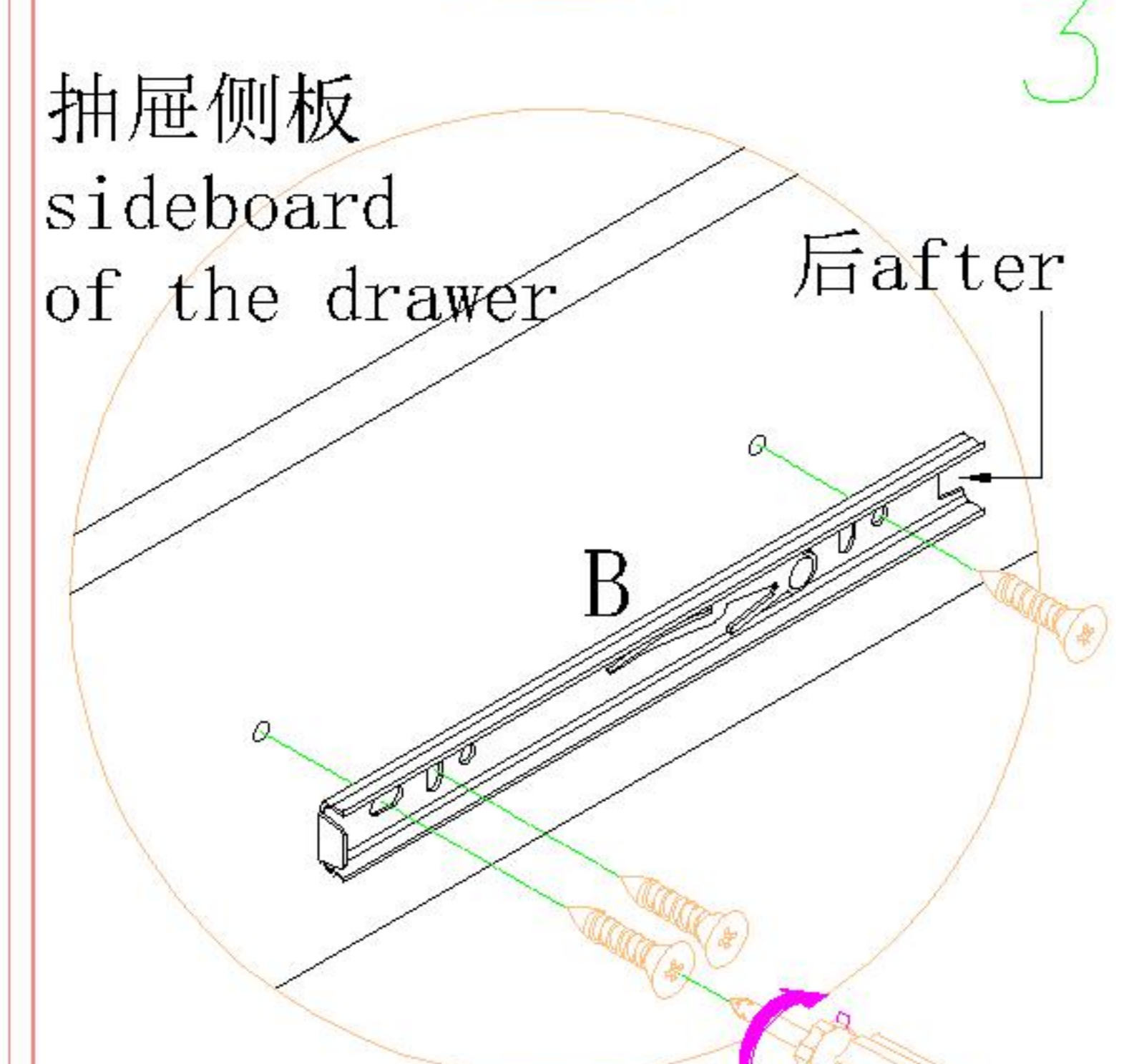
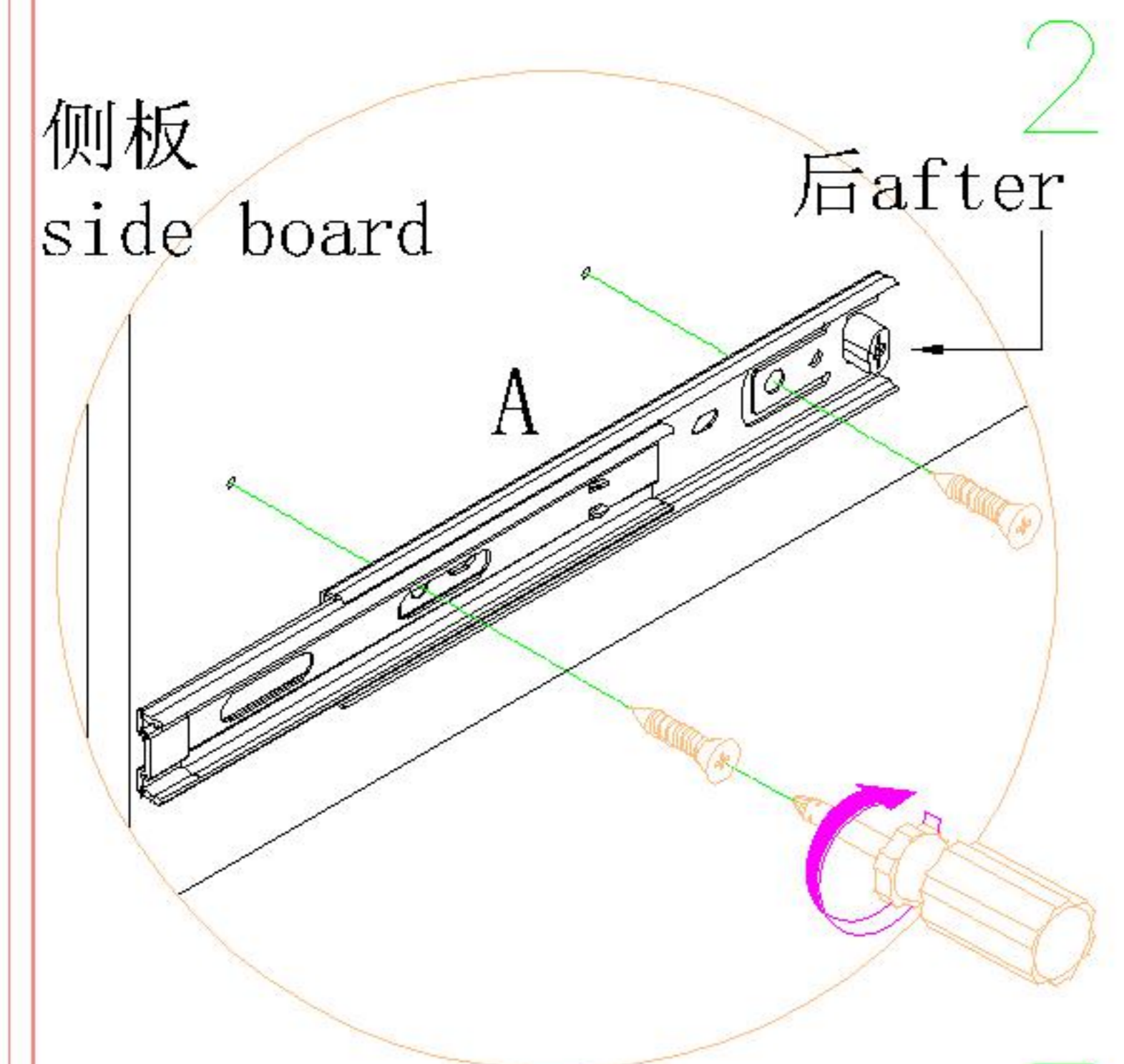
T02E-A

安装方法/
Installation method

1
阀门开关(下压为开)
Valve switch
(press down to open)



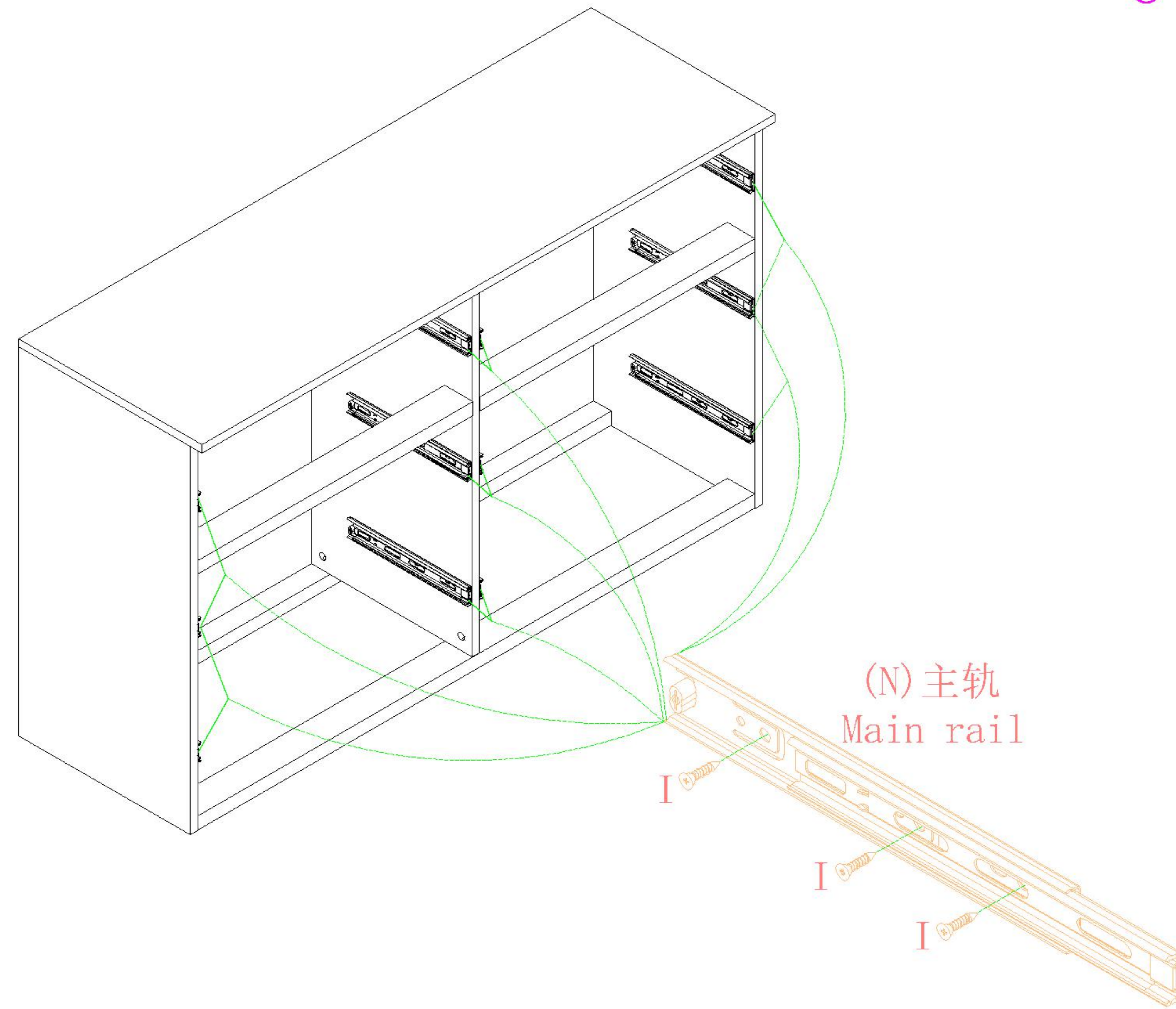
注: 先将A与B拆下来
Note: remove a and B first



注: 将B对准A后推进去
Note: align B with a
and push it in

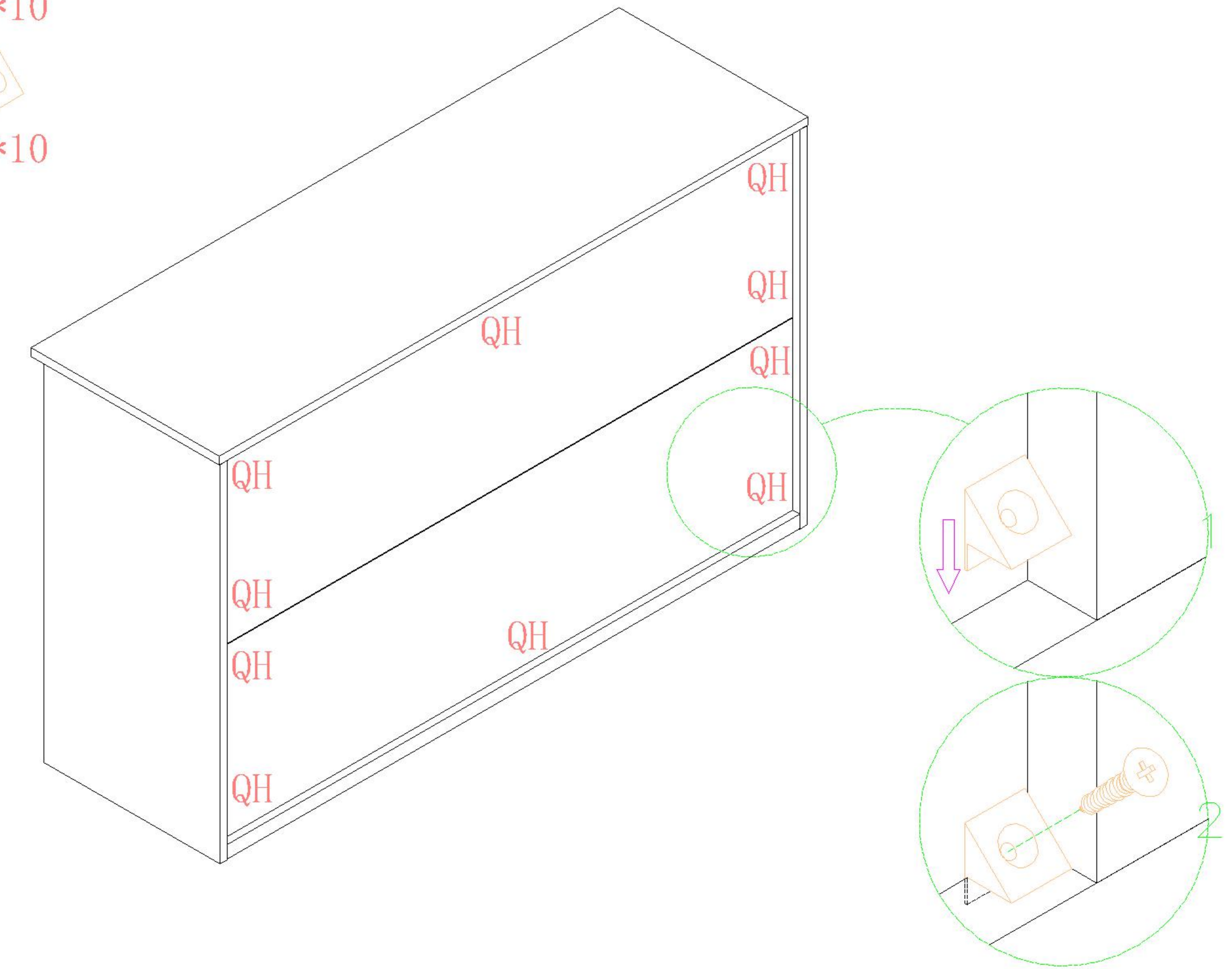
三节滚珠导轨
three-section ball rail

- (I) *36
- (N) *6

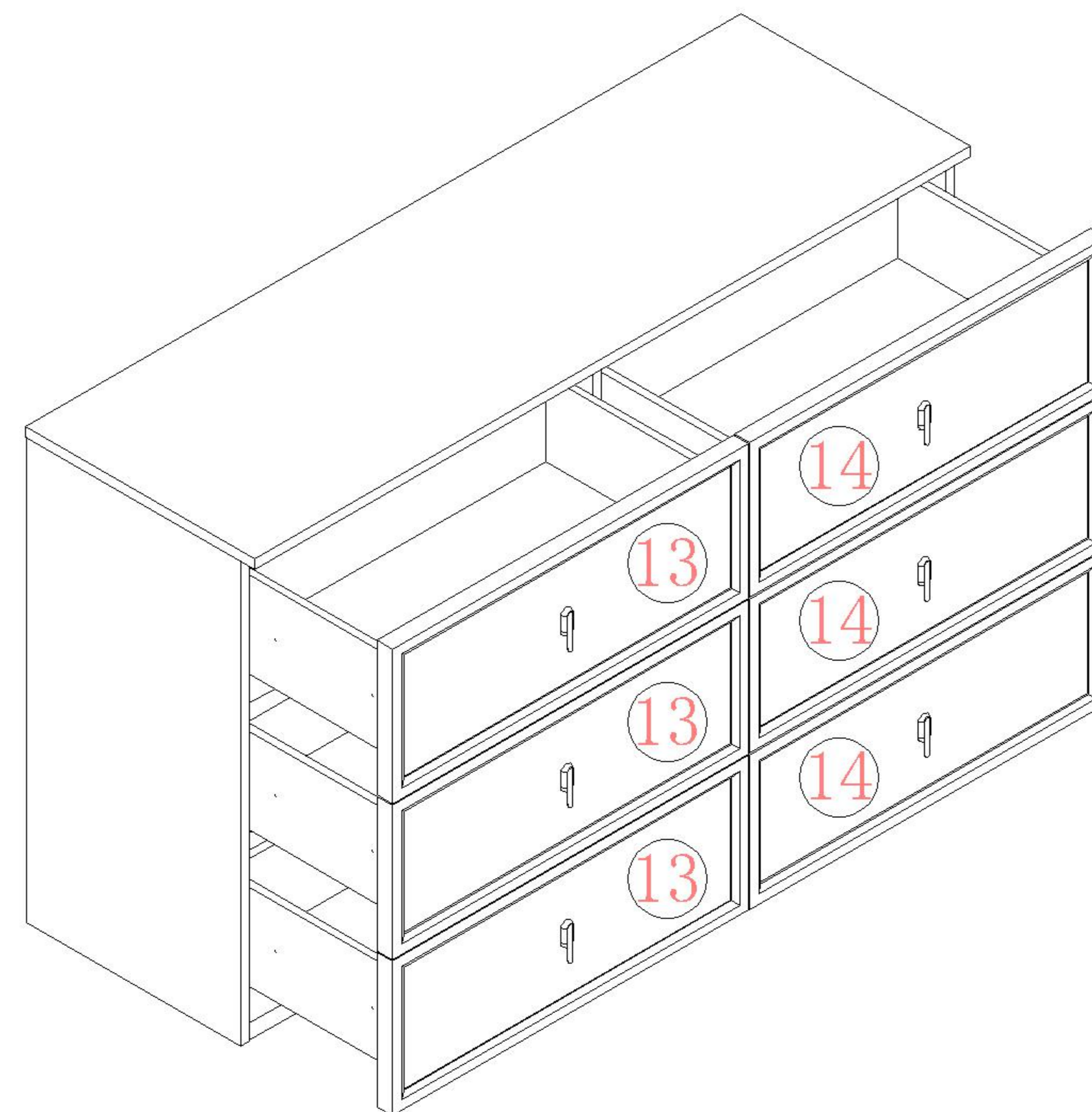


8

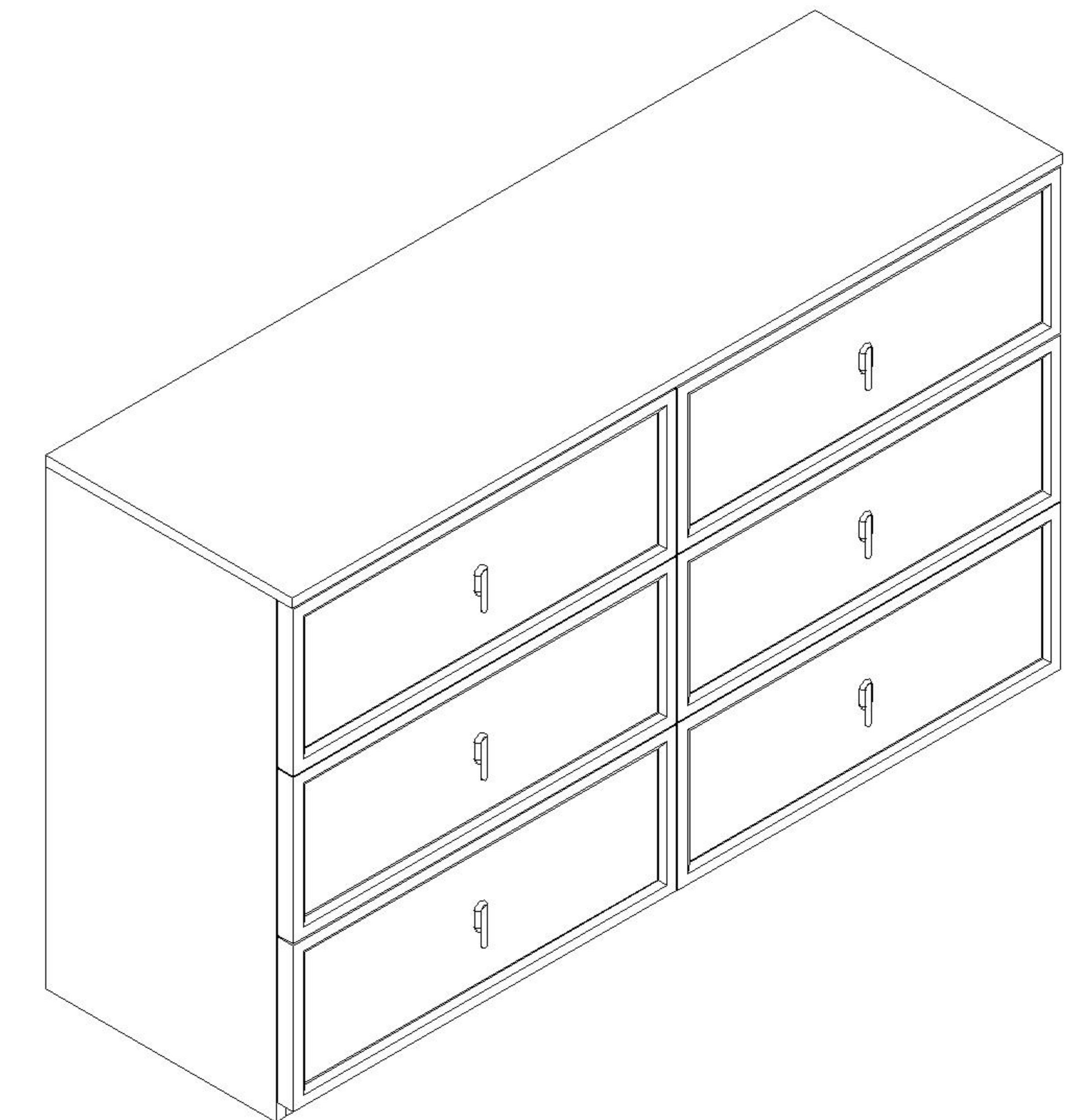
- (H) *10
- (Q) *10



9

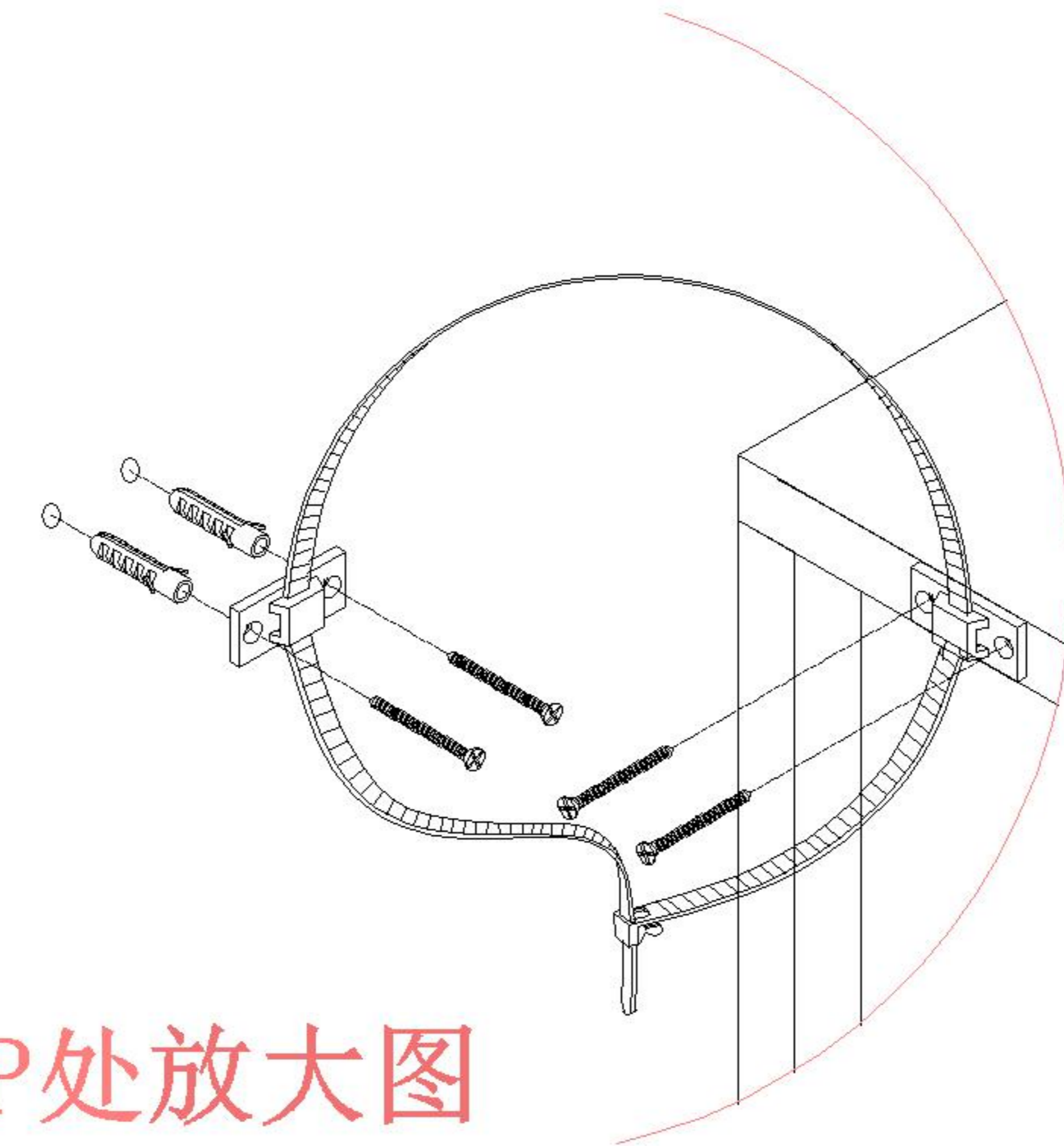


10



11

(P)*1



P处放大图
Enlarged drawing

实体墙
Solid wall

