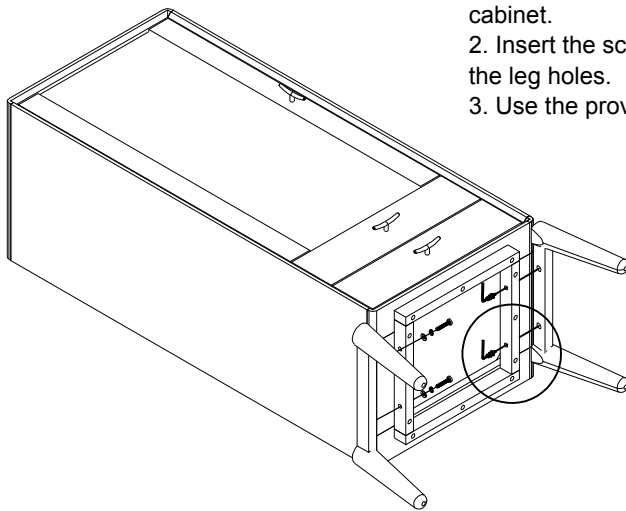
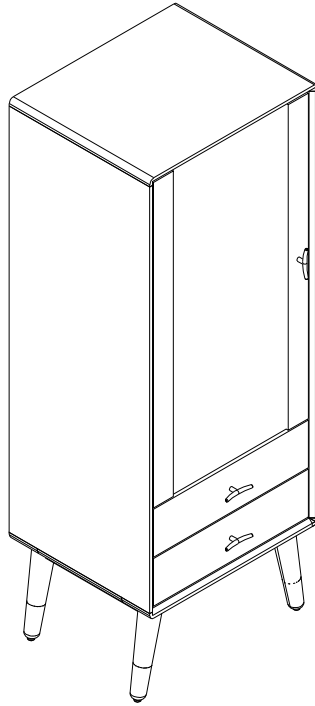


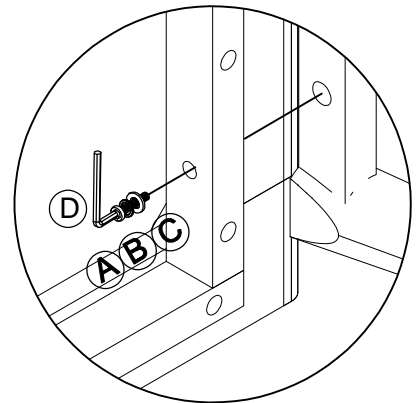
Assembly Instructions

Solidwood Seattle Storage Cabinet with Glass Door





Assembled Product Diagram:



1. Align the legs with the pre-drilled holes on the bottom of the cabinet.
2. Insert the screws (A) through the washers (B and C) and into the leg holes.
3. Use the provided Allen key (D) to securely tighten the screws.



Hardware List:

<p>(A)</p> 	<p>(B)</p> 	<p>(C)</p> 	<p>(D)</p> 
Hexagon Screws=4	Spring Washers=4	Flat Washers=4	Allen Key=1