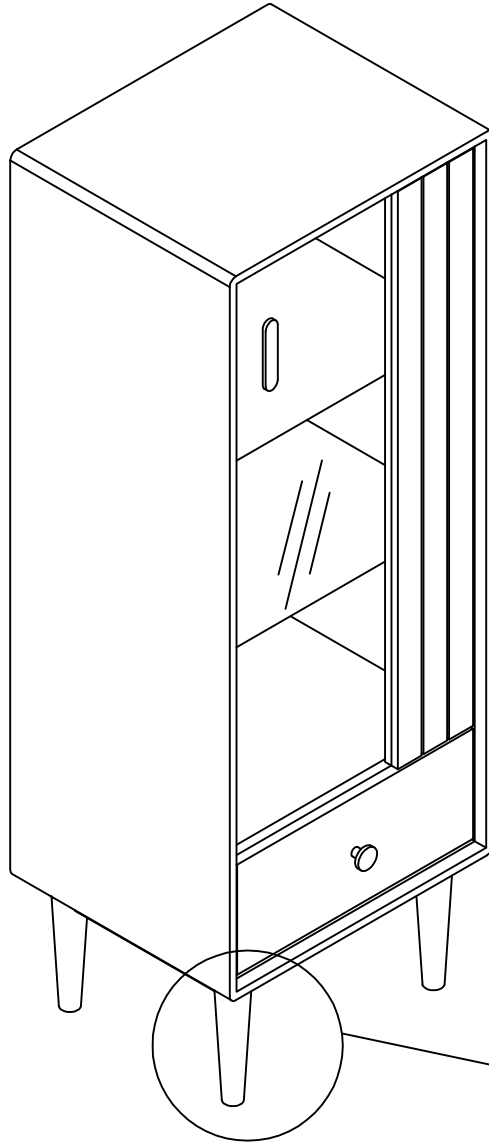


Assembly Instructions

Solidwood Danya 3-Tier Storage Cabinet with Drawer



Step 1: Lay the cabinet on its side or back, ensuring that the area is clear to avoid damaging the finish.

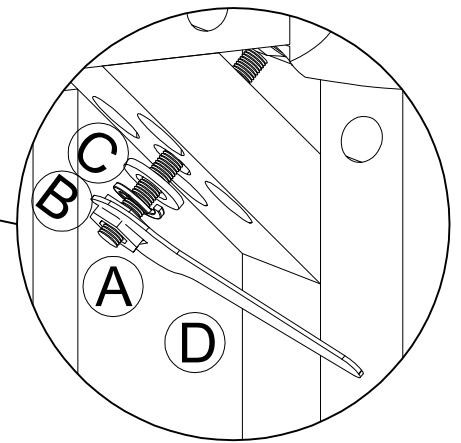
Step 2: Align the legs with the pre-drilled holes at the bottom corners of the cabinet.

Step 3: Place one flat washer (C) onto each bolt.

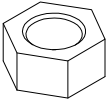
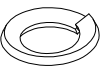

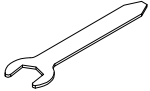
Step 4: Follow with a spring washer (B) on top of each flat washer.

Step 5: Secure each bolt by threading nuts (A) onto it.

Step 6: Use the spanner (D) provided to tighten each nut securely. Be sure to tighten evenly to avoid wobbling.



Hardware List:

(A) 	(B) 	(C) 	(D) 
Nut ×4	Spring Washer ×4	Flat Washer ×4	Spanner ×1