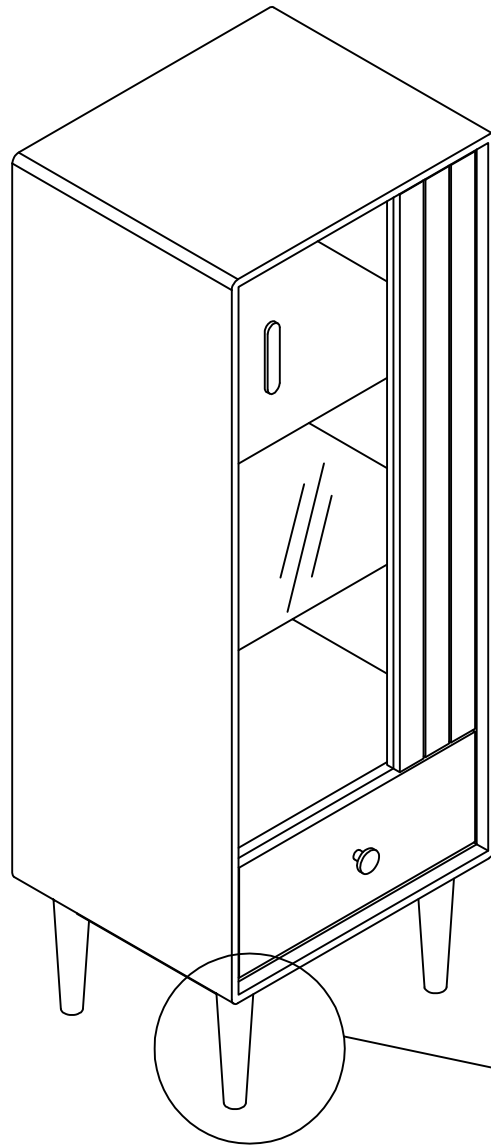


# Assembly Instructions

## Solidwood Danya 2 tier Storage Cabinet



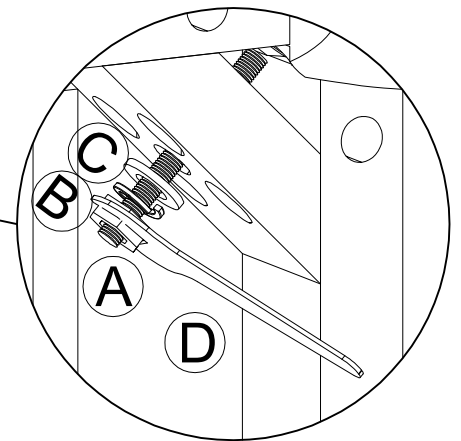
Step 1: Position the cabinet upside down.

Step 2: Place a flat washer (C) on each bolt protruding from the legs.

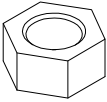
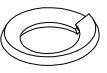

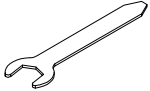
Step 3: Add a spring washer (B) on top of the flat washer.

Step 4: Secure the legs to the cabinet by screwing nuts (A) onto each bolt.

Step 5: Use the spanner (D) to tighten the nuts securely.



### Hardware List:

<b>(A)</b> 	<b>(B)</b> 	<b>(C)</b> 	<b>(D)</b> 
Nut ×4	Spring Washer ×4	Flat Washer ×4	Spanner ×1