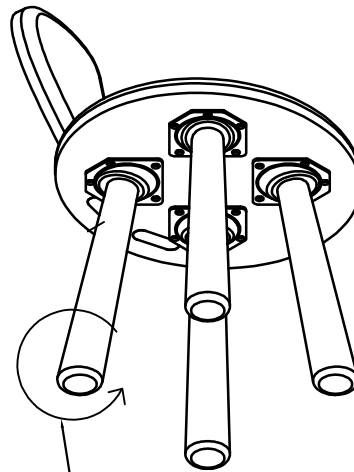
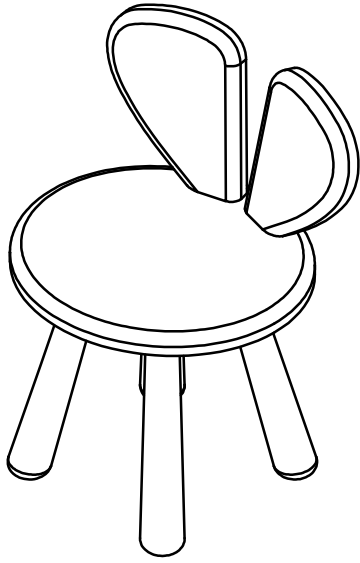


Assembly Instructions

Solidwood Mio Kids Chair



注意需将腿拧转到合适位置

1. Carefully screw the legs into the appropriate positions on the chair seat.
2. Ensure each leg is securely fastened and properly aligned to avoid wobbling.