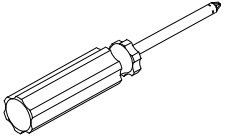
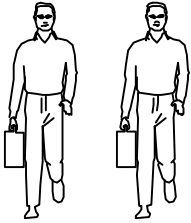


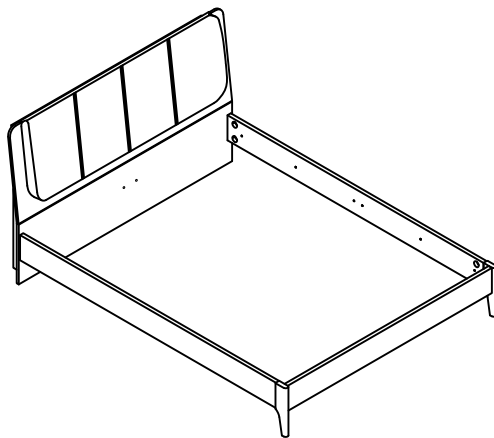
LINSY 林氏家居




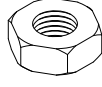
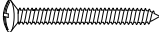

五金表/Hardware list

部件表/Parts List

安装示意图/Assembly Instruction

产品名称 Model NO.	CB1A-A(1.5m)
产品规格 Specification	2197*1580*1001mm
安装工具 Tool	安装人数 Installer
	

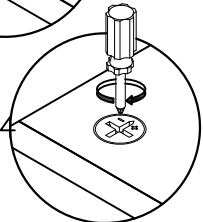
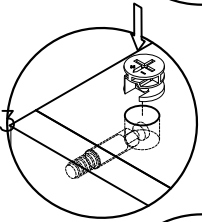
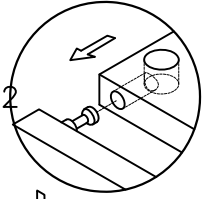
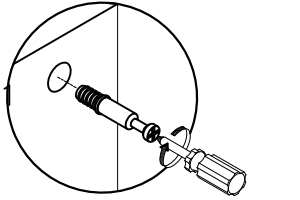


 (A)* 1 开口扳手14mm Wrench- Open End Wrench	 (B)* 12 五合一孔盖-白色 five-in-one plastic cover-white	 (C)* 4 L型角码14x21x1.5 L-shaped corner code	 (D)* 16 二合一螺杆(35mm) 2-in-1-screw
 (E)* 16 大三合一锁饼(15mm) Three-in-one large lock	 (F)* 8 全牙螺杆-M8x80mm screw- color zinc	 (G)* 4 斜边十字螺杆-M8x70 bevel cross screw	 (H)* 12 外六角螺母M8 Hexagon Nut colored zinc
 (I)* 8 自攻大扁M4*30mm Self tapping flat screw	 (J)* 15 自攻螺丝M4x16mm Self-tapping screw	 (K)* 13 木榫Ø10x40mm wood tenon	 (L)* 8 脚垫-灰色 Footrest - Grey
 (M)* 12 五合一月牙 5-in-1 screw (28*15*6.5)	 (N)* 6 镜钉 Mirror nail		

编号NO.	名称Name	规格(mm) Specification	数量QTY	材质Material
①	床头上节主板 Board Up head bed	1580*598*15	1	三胺板 Melamine
②	床头下节主板 Board under head bed	1580*398*15	1	三胺板 Melamine
③	床头顶条 Top bar of bed head	1400*65*25	1	三胺板 Melamine
④	床头脚 Head bed foot	918*117*25	3	三胺板 Melamine
⑤	床侧 Bedside	1970*168*25	2	三胺板 Melamine
⑥	床尾主板 Bed tail Mainboard	1510*168*25	1	三胺板 Melamine
⑦	床尾左脚 Bed tail foot(L)	325*80*30	1	实木 Wood
⑧	床尾右脚 Bed tail foot(R)	325*80*30	1	实木 Wood
⑨	床头软包 Upholstered headboard	1400*525*80	1	夹板+海绵+布 Plywood+Sponge+Fabric

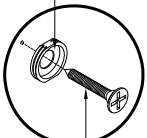
CB1A-A (1.5m)

安装方法/
Installation method

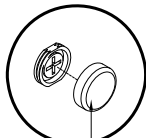


大二合一
two-in-one

(内盖)
(Inner cover)



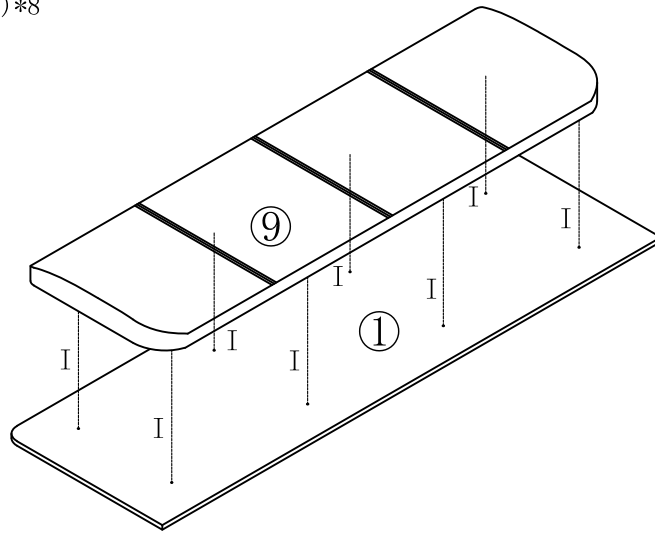
自攻丝
Self tapping
wire



(外盖)
(Outer cover)

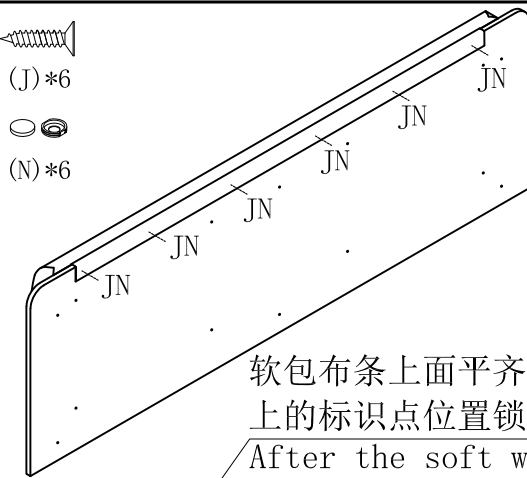
镜钉 Mirror nail

(I)*8



1

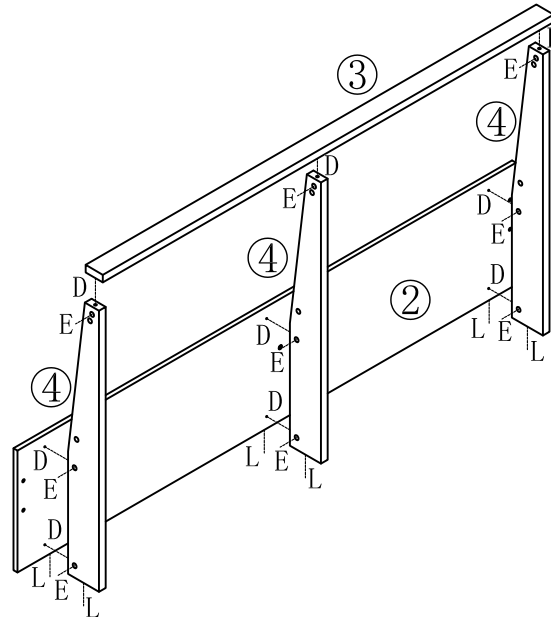
(J)*6
(N)*6



软包布条上面平齐主板后, 按照布条上的标识点位置锁上自攻丝和镜钉
After the soft wrap cloth is flush with the motherboard, follow the cloth Lock the self tapping and mirror nail at the position of the identification point on the

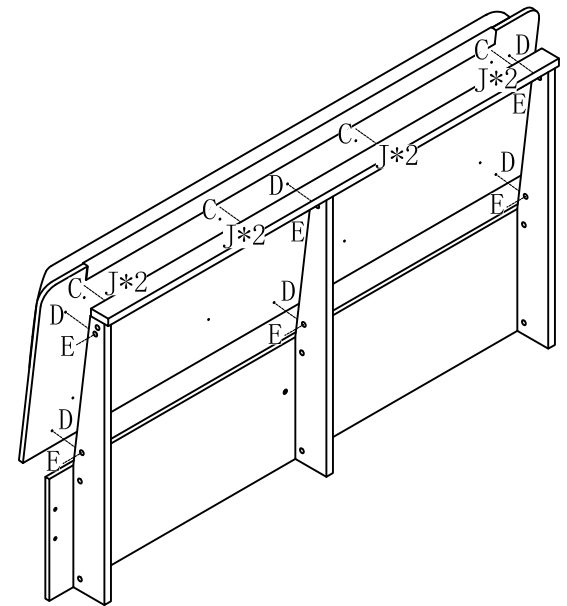
2

(D)*9
(E)*9
(L)*6



3

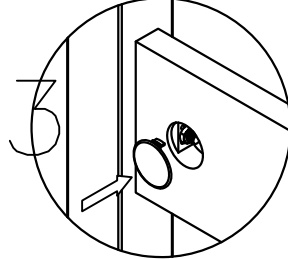
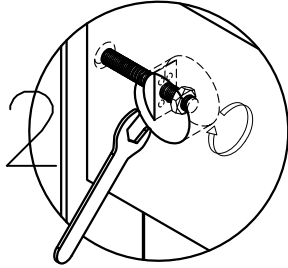
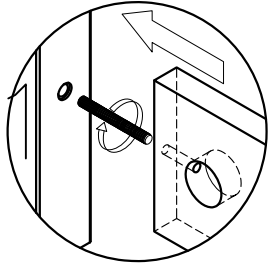
(C)*4
(D)*6
(E)*6
(J)*8



4

CB1A-A (1.5m)

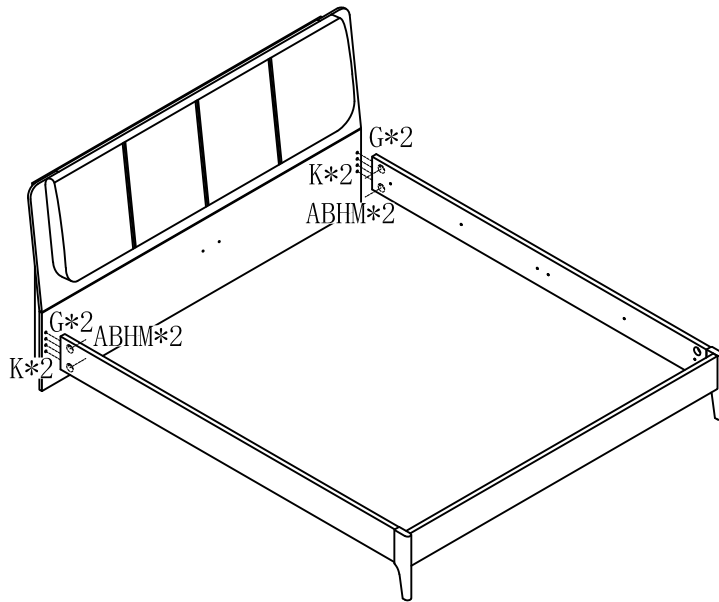
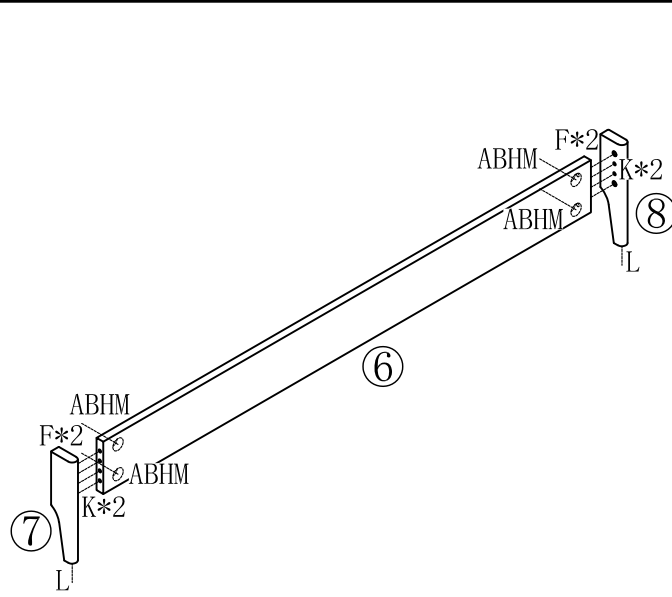
安装方法/
Installation method



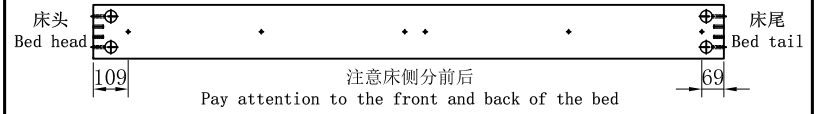
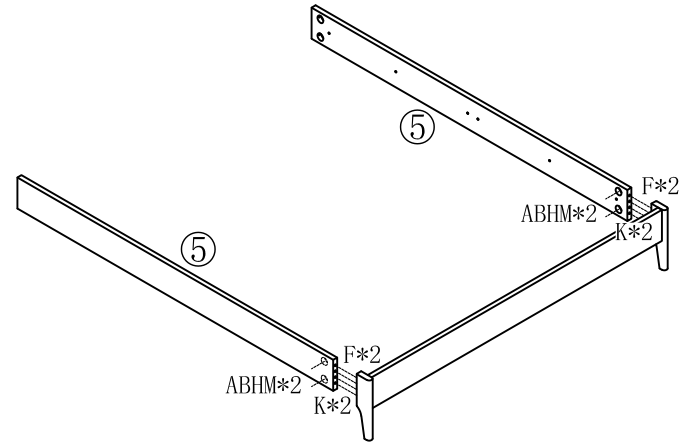
五合一
5-in-1

- (A) *1
- (B) *4
- (F) *4
- (H) *4
- (K) *4
- (L) *2
- (M) *4

- (A) *1
- (B) *4
- (G) *4
- (H) *4
- (K) *4
- (M) *4



- (A) *1
- (B) *4
- (F) *4
- (H) *4
- (K) *4
- (M) *4



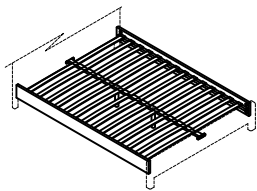
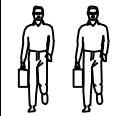
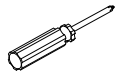
LINSY 林氏家居

安装示意图/Assembly Instruction

产品名称 Model No. 拆装排骨架
Disassembling rib frame

产品规格 Specification 2010*1510mm

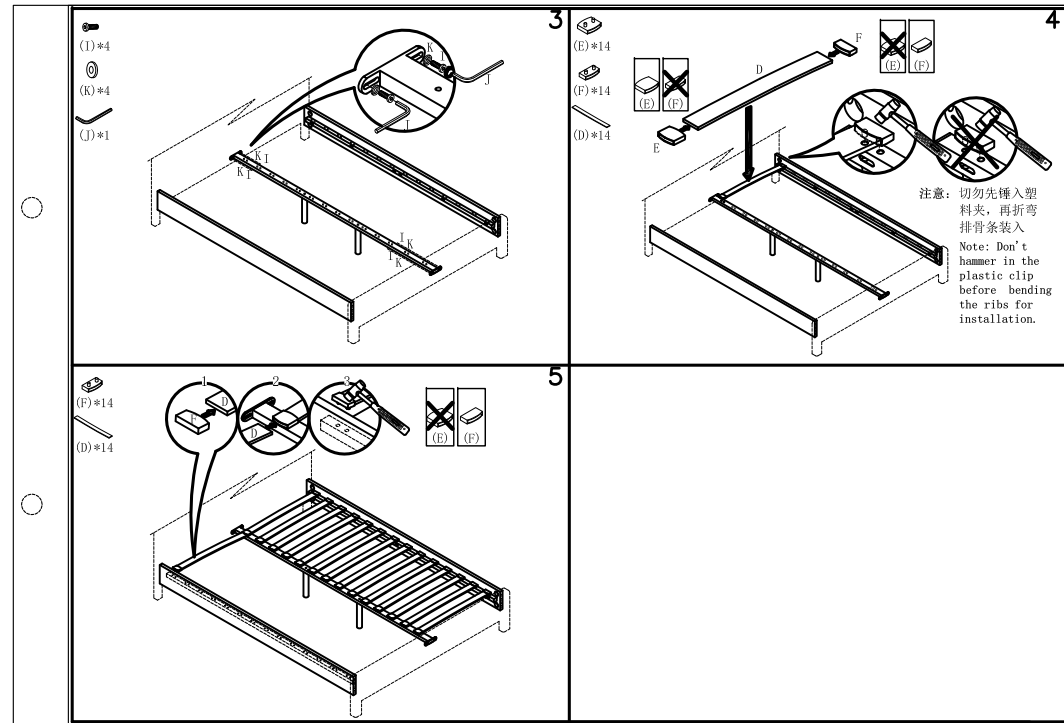
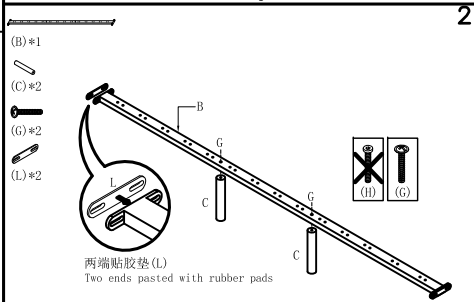
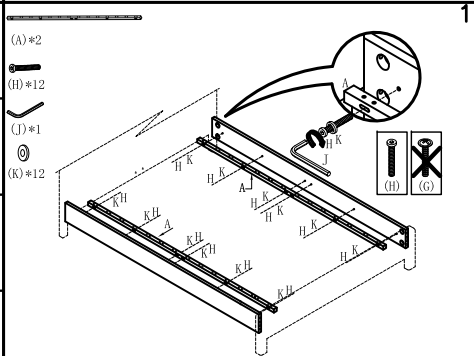
安装工具 Tool 安装人数 Installer



五金表/Hardware list

(A)*2 排骨架边条 Edge strip of row frame	(B)*1 排骨架中条 Middle strip of row frame	(C)*2 脚 Foot
(D)*28 排骨条 Ribs strip	(E)*15 中塑料夹 Middle plastic clip	(F)*30 边塑料夹 Side plastic clip
(G)*2 十字平头螺钉38*45 Cross flat head screw	(H)*13 内六角螺母M6*15 Hexagon socket screw	(I)*5 内六角螺钉M6*15 Hexagon socket screw
(J)*1 内六角扳手4mm Hexagon wrench	(K)*18 平垫片M6*13 Flat gasket	(L)*2 胶垫 Rubber pad

安装方法/Installation method

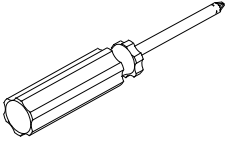
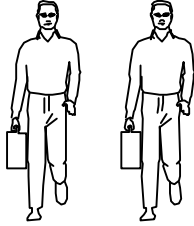


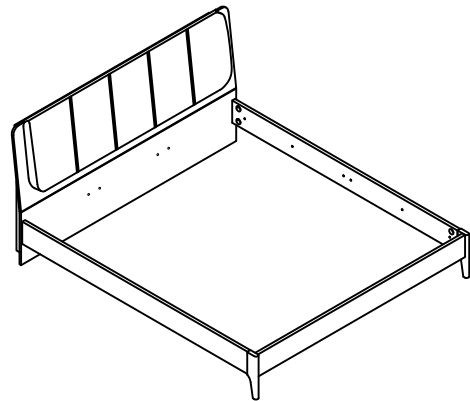
LINSY 林氏家居

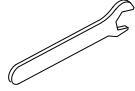
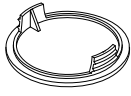

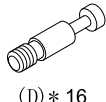


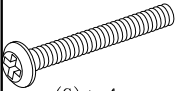



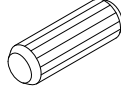

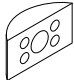

五金表/Hardware list

部件表/Parts List

安装示意图/Assembly Instruction

产品名称 Model NO.	CB1A-A(1.8m)
产品规格 Specification	2197*1880*1001mm
安装工具 Tool	安装人数 Installer
	

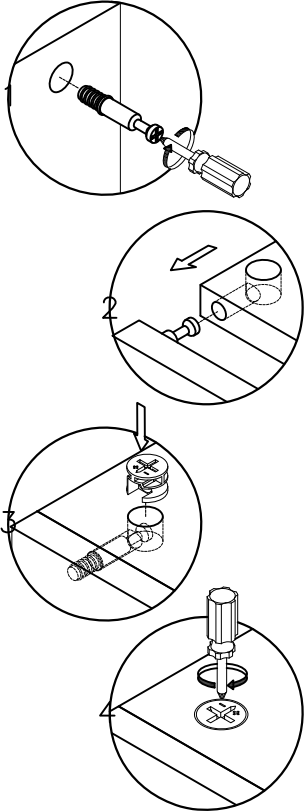


 (A)* 1 开口扳手14mm Wrench- Open End Wrench	 (B)* 12 五合一孔盖-白色 five-in-one plastic cover-white	 (C)* 4 L型角码14x21x1.5 L-shaped corner code	 (D)* 16 二合一螺杆(35mm) 2-in-1-screw
 (E)* 16 大三合一锁饼(15mm) Three-in-one large lock	 (F)* 8 全牙螺杆-M8x80mm screw- color zinc	 (G)* 4 斜边十字螺杆-M8x70 bevel cross screw	 (H)* 12 外六角螺母M8 Hexagon Nut colored zinc
 (I)* 8 自攻大扁M4*30mm Self tapping flat screw	 (J)* 15 自攻螺丝M4x16mm Self-tapping screw	 (K)* 13 木榫Ø10x40mm wood tenon	 (L)* 8 脚垫-灰色 Footrest - Grey
 (M)* 12 五合一月牙 5-in-1 screw (28*15*6.5)	 (N)* 6 镜钉 Mirror nail		

编号NO.	名称Name	规格(mm) Specification	数量QTY	材质Material
①	床头上节主板 Board Up head bed	1880*598*15	1	三胺板 Melamine
②	床头下节主板 Board under head bed	1880*398*15	1	三胺板 Melamine
③	床头顶条 Top bar of bed head	1700*65*25	1	三胺板 Melamine
④	床头脚 Head bed foot	918*117*25	3	三胺板 Melamine
⑤	床侧 Bedside	1970*168*25	2	三胺板 Melamine
⑥	床尾主板 Bed tail Mainboard	1810*168*25	1	三胺板 Melamine
⑦	床尾左脚 Bed tail foot (L)	325*80*30	1	实木 Wood
⑧	床尾右脚 Bed tail foot (R)	325*80*30	1	实木 Wood
⑨	床头软包 Upholstered headboard	1700*525*80	1	夹板+海绵+布 Plywood+Sponge+Fabric

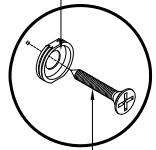
CB1A-A (1.8m)

安装方法/
Installation method

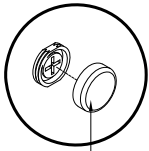


大二合一
two-in-one

(内盖)
(Inner cover)

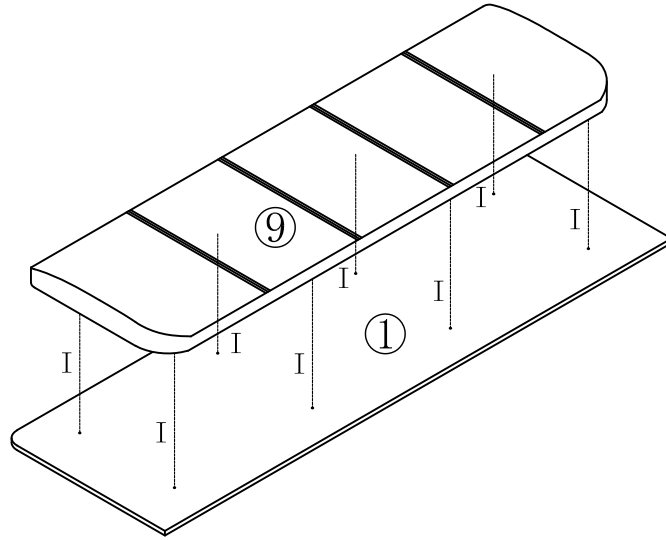


自攻丝
Self tapping
wire



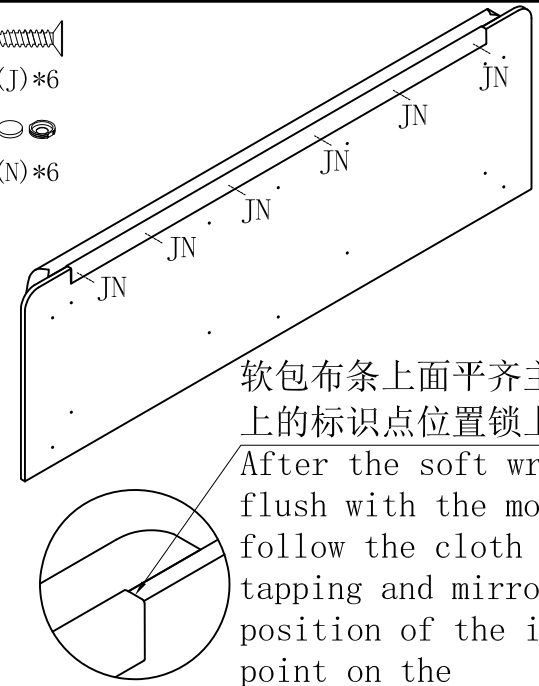
(外盖)
(Outer cover)
镜钉 Mirror nail

(I)*8



1

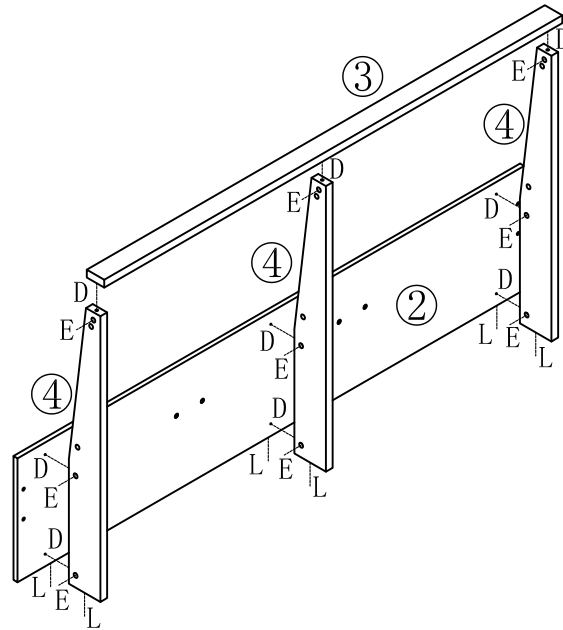
(J)*6
(N)*6



软包布条上面平齐主板后,按照布条上的标识点位置锁上自攻丝和镜钉
After the soft wrap cloth is flush with the motherboard, follow the cloth Lock the self tapping and mirror nail at the position of the identification point on the

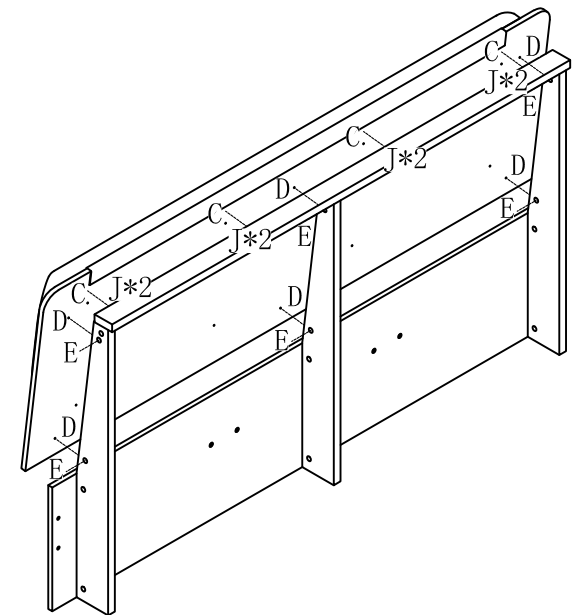
2

(D)*9
(E)*9
(L)*6



3

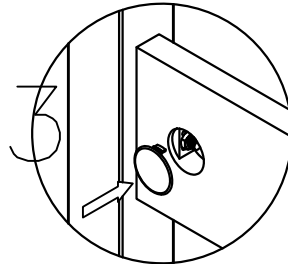
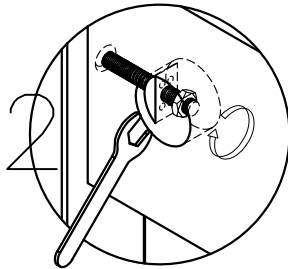
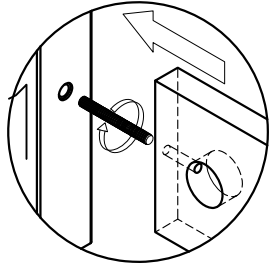
(C)*4
(D)*6
(E)*6
(J)*8



4

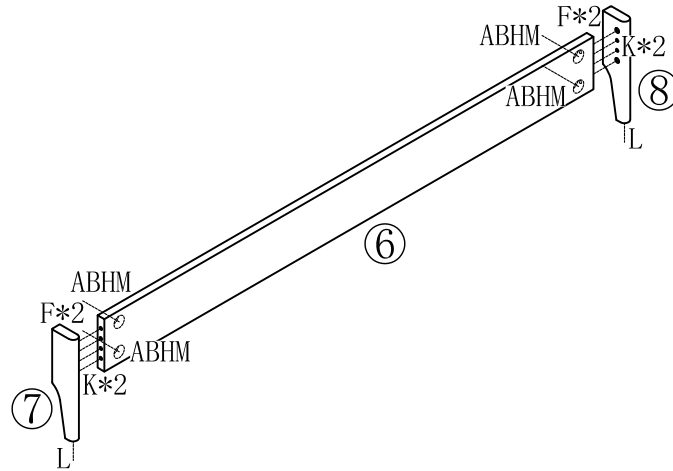
CB1A-A (1.8m)

安装方法/
Installation method



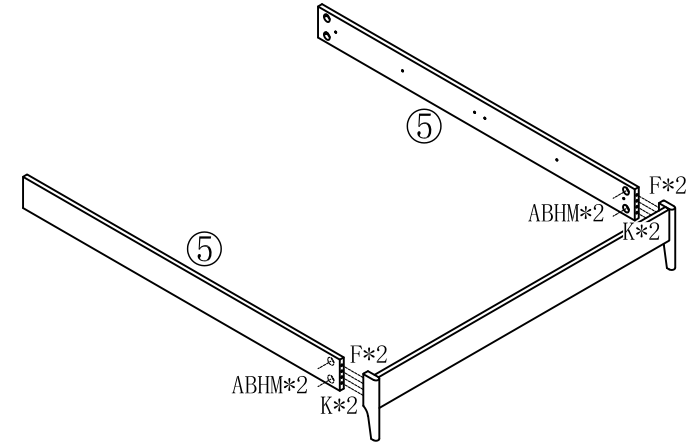
五合一
5-in-1

- (A) *1
- (B) *4
- (F) *4
- (H) *4
- (K) *4
- (L) *2
- (M) *4

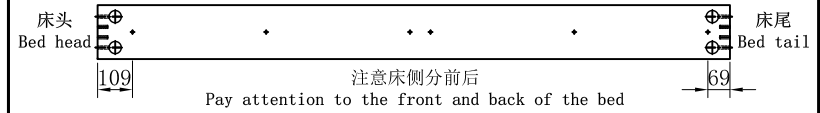


5

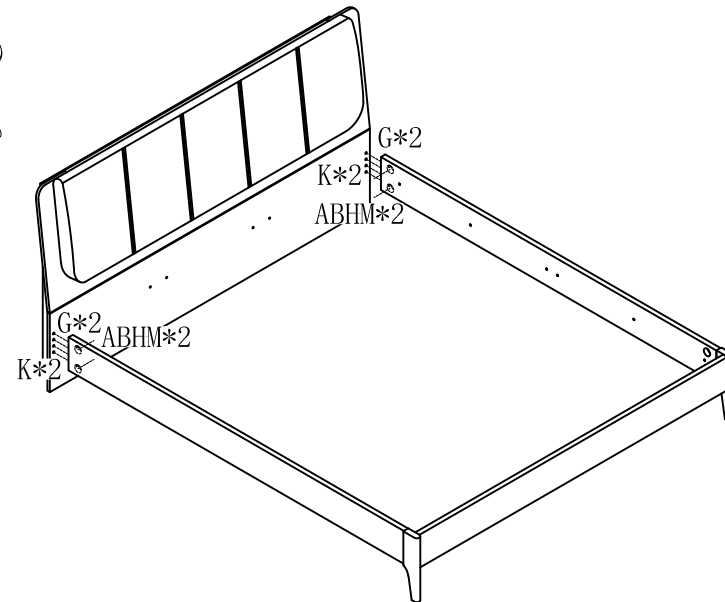
- (A) *1
- (B) *4
- (F) *4
- (H) *4
- (K) *4
- (M) *4



6



- (A) *1
- (B) *4
- (G) *4
- (H) *4
- (K) *4
- (M) *4



7

LINSY 林氏家居		五金表/Hardware list			安装方法/Installation method		
安装示意图/Assembly Instruction							
产品名称 Model NO.	拆装排骨架 Disassembling row frame	(A)*2	(B)*2	(C)*4	(A)*2		
产品规格 Specification	2010*1810mm	排骨架边条 Edge strip of row frame	排骨架中条 Middle strip of row frame	脚 Foot	(H)*12		
安装工具 Tool	安装人数 Installer	(D)*42	(E)*30	(F)*30	(J)*1		
		排骨条 Rib strip	中塑料夹 Middle plastic clip	边塑料夹 Side plastic clip	(K)*12		
		(G)*4	(H)*13	(I)*9	(I)*8		
		十字平头螺钉M8*45 Cross flat head screw	内六角螺钉M6*45 Hexagon socket screw	内六角螺钉M6*15 Hexagon socket screw	(K)*8		(J)*1
		(J)*1	(K)*21	(L)*4	(L)*14		(D)*14
		内六角扳手4mm Hexagon wrench	平垫片M6*Ø13 Flat gasket	胶垫 Rubber pad	(I)*8		
		(B)*2	(C)*4	(G)*4	(D)*14		
					(L)*4		
					(H)*12		
					(I)*8		
					(K)*8		
					(J)*1		
					(I)*8		
					(K)*8		
					(J)*1		
					(I)*8		
					(K)*8		
					(J)*1		
					(I)*8		
					(K)*8		
					(J)*1		
					(I)*8		
					(K)*8		
					(J)*1		
					(I)*8		
					(K)*8		
					(J)*1		
					(I)*8		
					(K)*8		
					(J)*1		
					(I)*8		
					(K)*8		
					(J)*1		
					(I)*8		
					(K)*8		
					(J)*1		
					(I)*8		
					(K)*8		
					(J)*1		
					(I)*8		
					(K)*8		
					(J)*1		
					(I)*8		
					(K)*8		
					(J)*1		
					(I)*8		
					(K)*8		
					(J)*1		
					(I)*8		
					(K)*8		
					(J)*1		
					(I)*8		
					(K)*8		
					(J)*1		
					(I)*8		
					(K)*8		
					(J)*1		
					(I)*8		
					(K)*8		
					(J)*1		
					(I)*8		
					(K)*8		
					(J)*1		
					(I)*8		
					(K)*8		
					(J)*1		
					(I)*8		
					(K)*8		
					(J)*1		
					(I)*8		
					(K)*8		
					(J)*1		
					(I)*8		
					(K)*8		
					(J)*1		
					(I)*8		
					(K)*8		
					(J)*1		
					(I)*8		
					(K)*8		
					(J)*1		
					(I)*8		
					(K)*8		
					(J)*1		
					(I)*8		
					(K)*8		
					(J)*1		
					(I)*8		
					(K)*8		
					(J)*1		
					(I)*8		
					(K)*8		
					(J)*1		
					(I)*8		
					(K)*8		
					(J)*1		
					(I)*8		
					(K)*8		
					(J)*1		
					(I)*8		
					(K)*8		
					(J)*1		
					(I)*8		

