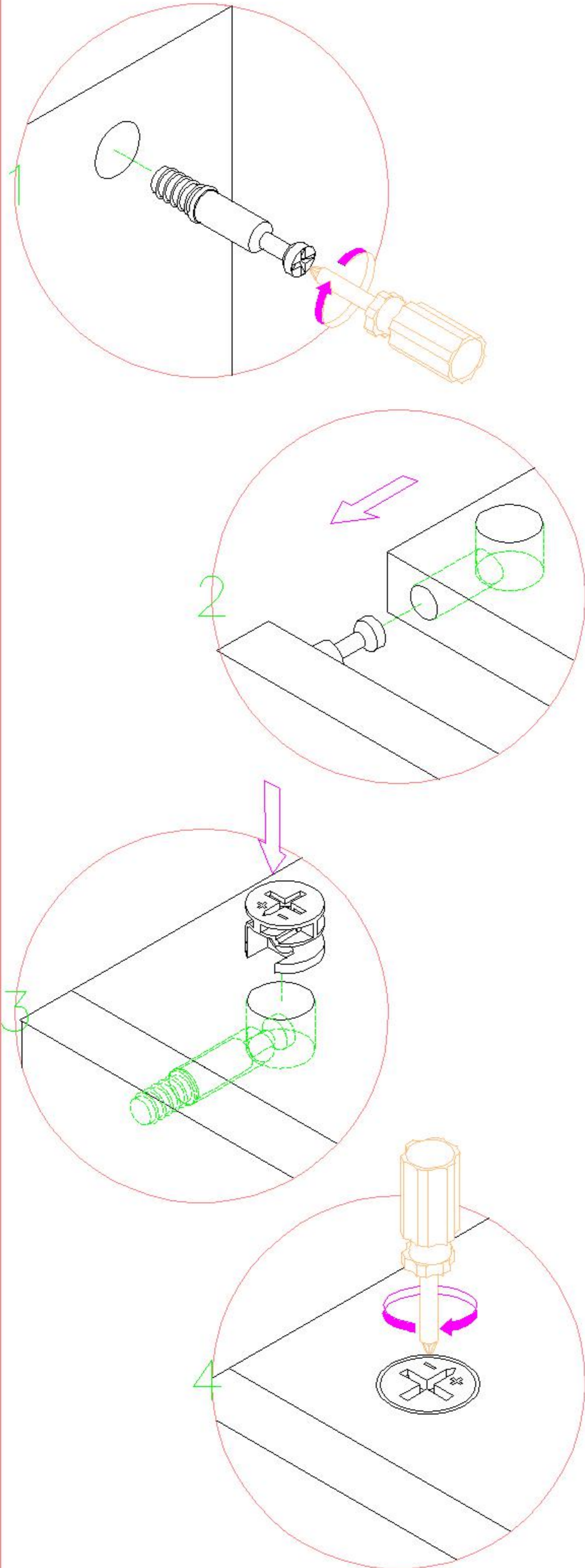
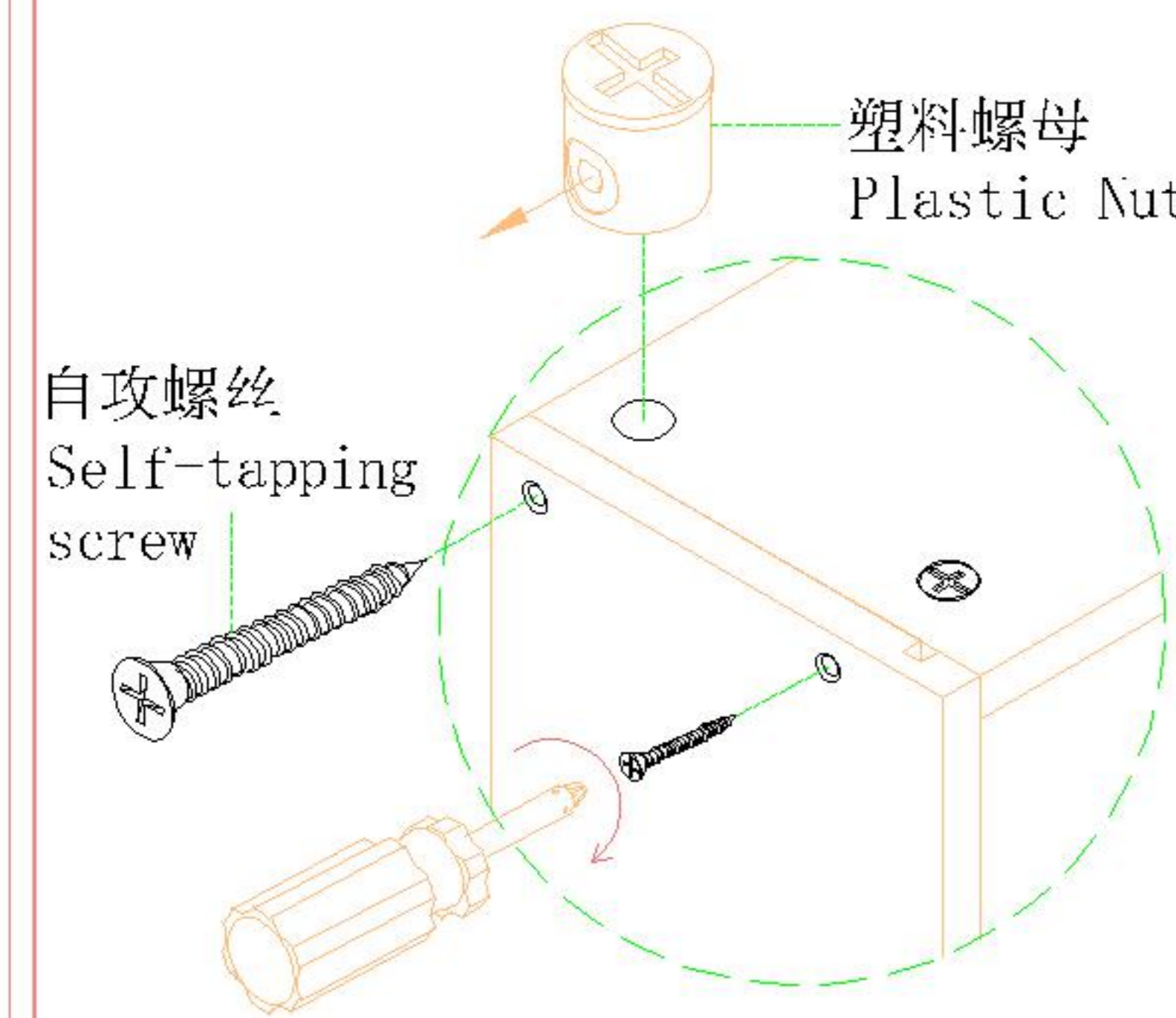


T01E-A

安装方法/
Installation method



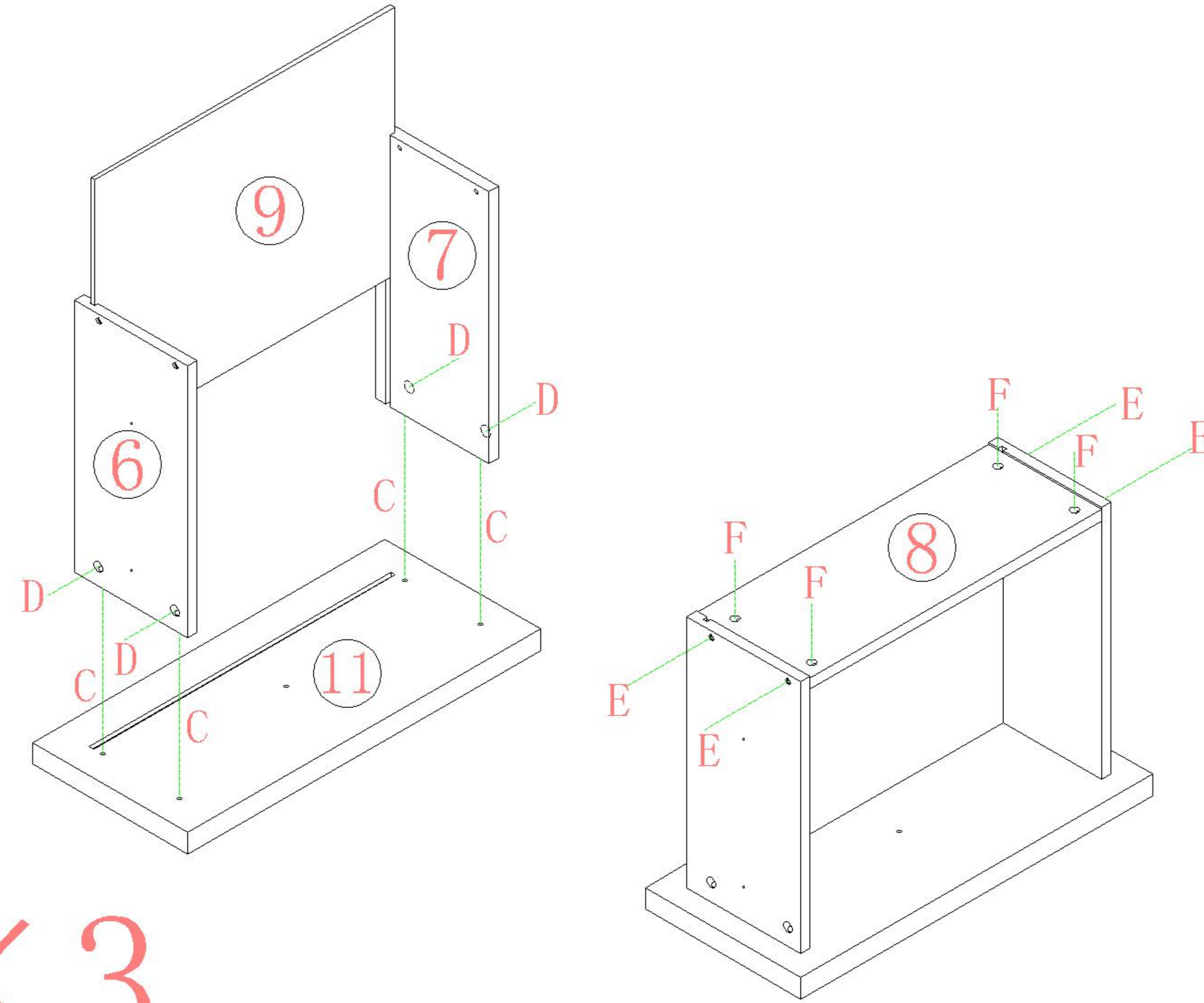
大二合一
two-in-one



自攻螺丝
Self-tapping
screw

塑料螺母
Plastic Nut

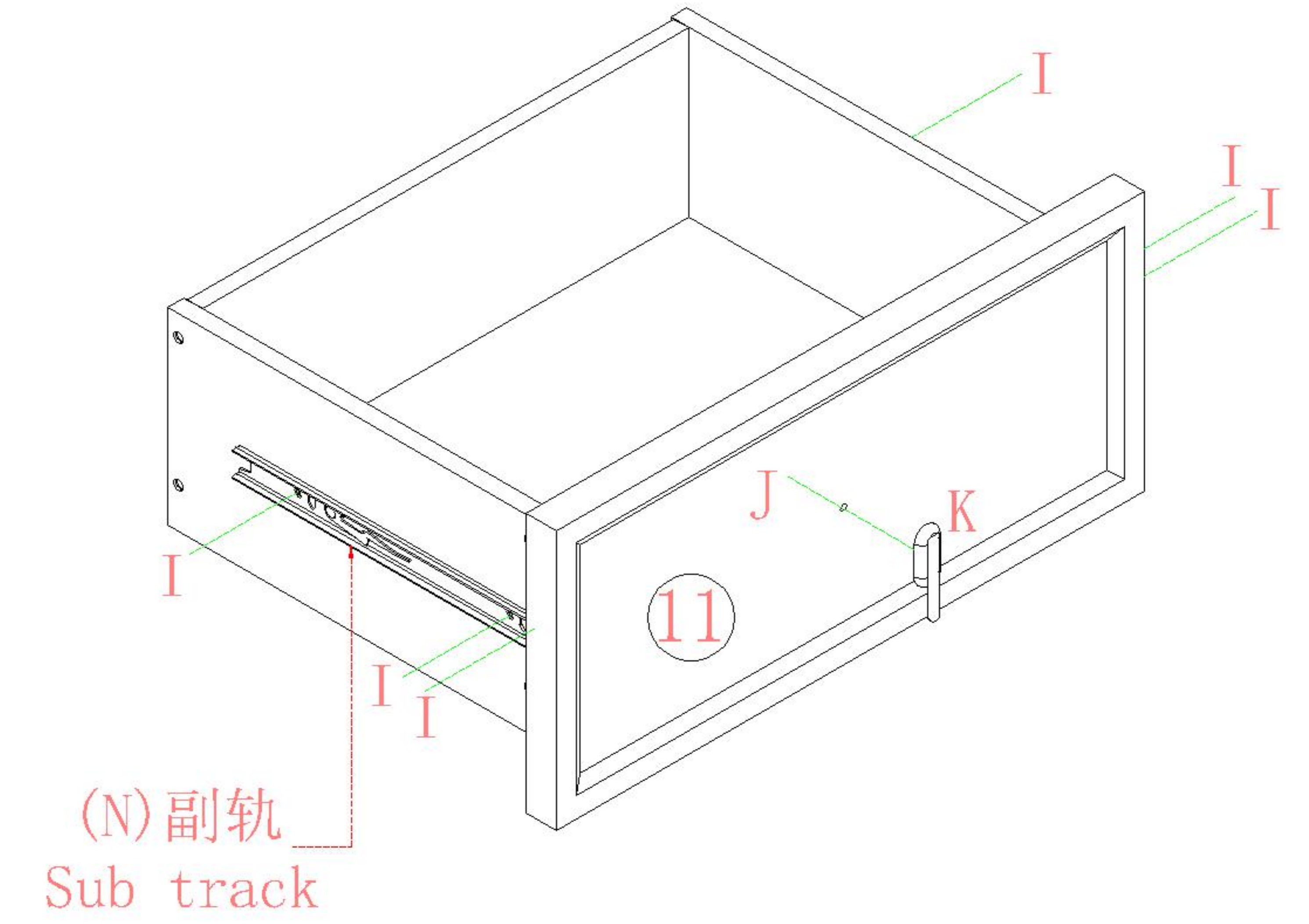
- (C)*12
- (D)*12
- (E)*12
- (F)*12



× 3

1

- (I)*18
- (J)*3
- (K)*3
- (N)*3

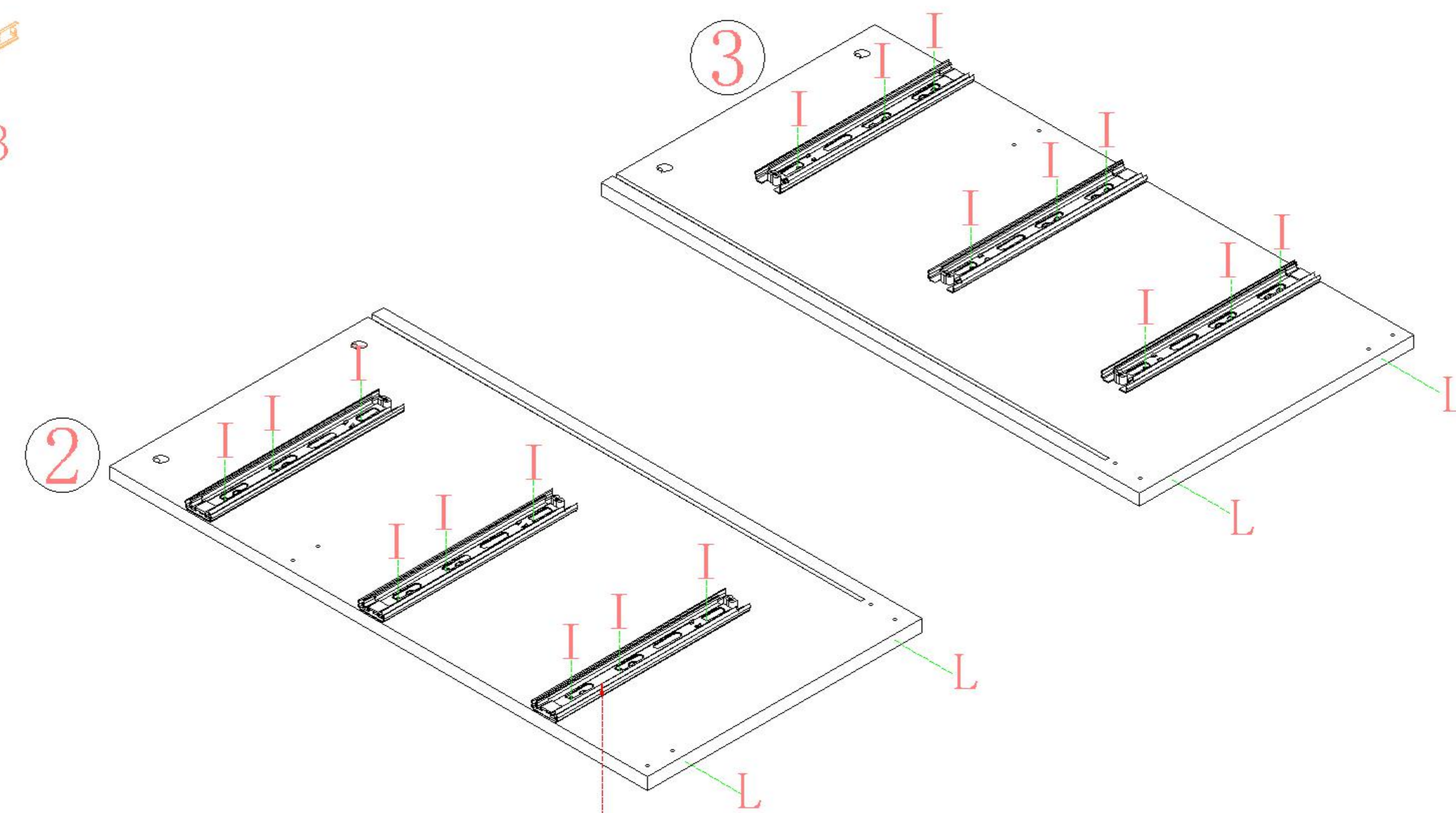


(N) 副轨
Sub track

× 3

2

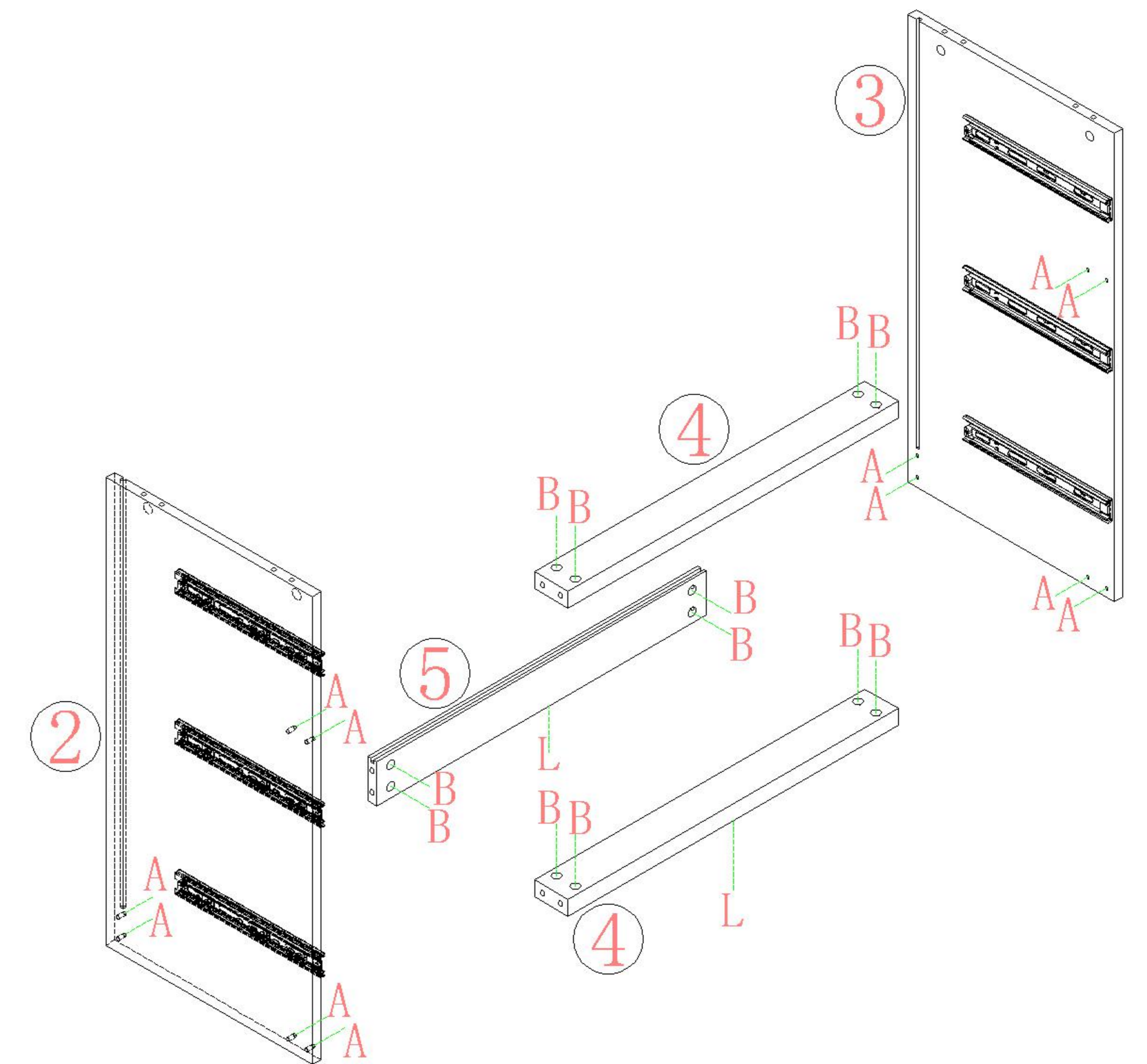
- (I)*18
- (L)*4
- (N)*3



(N) 主轨
Main rail

3

- (A)*12
- (B)*12
- (L)*2



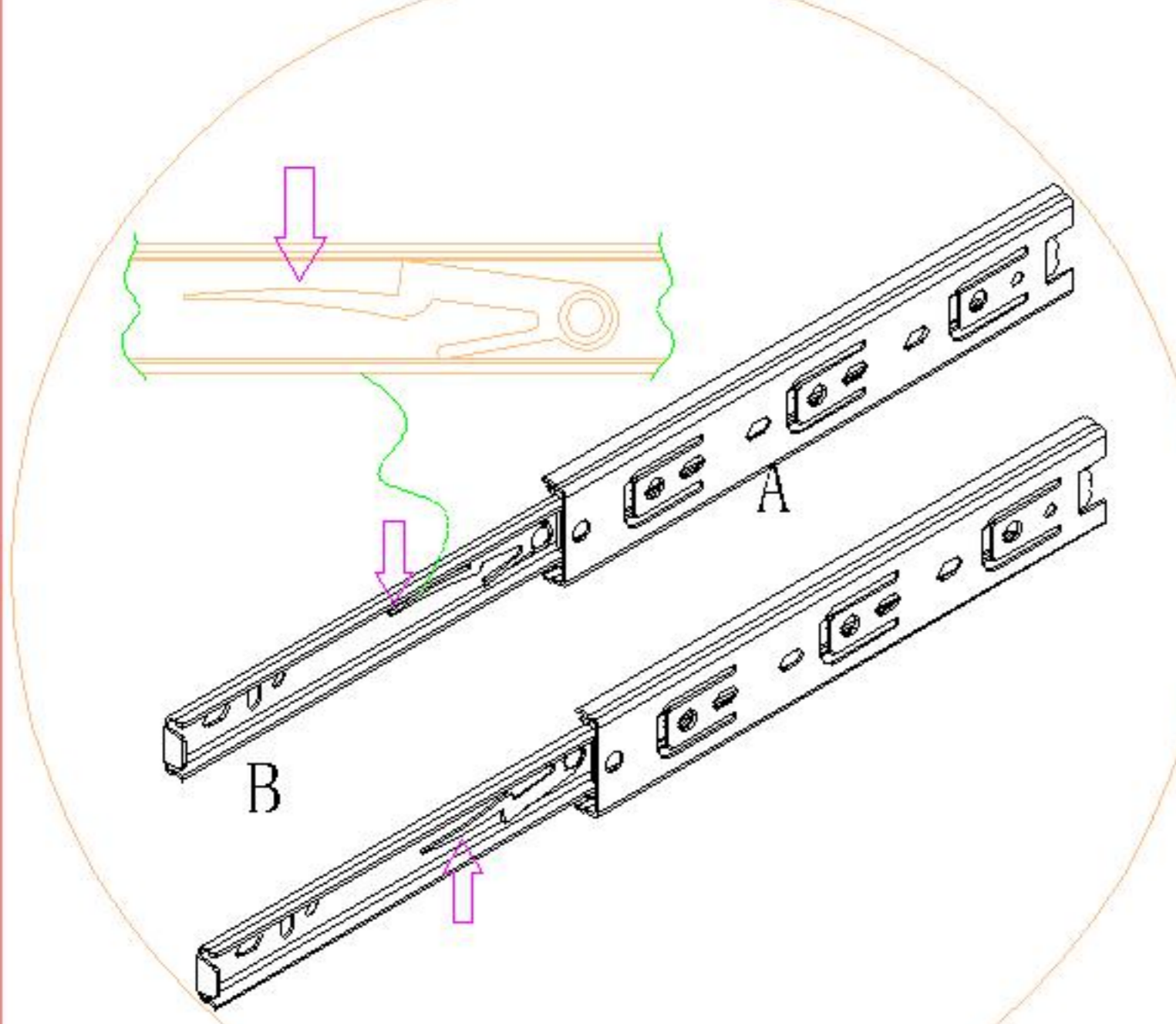
4

T01E-A

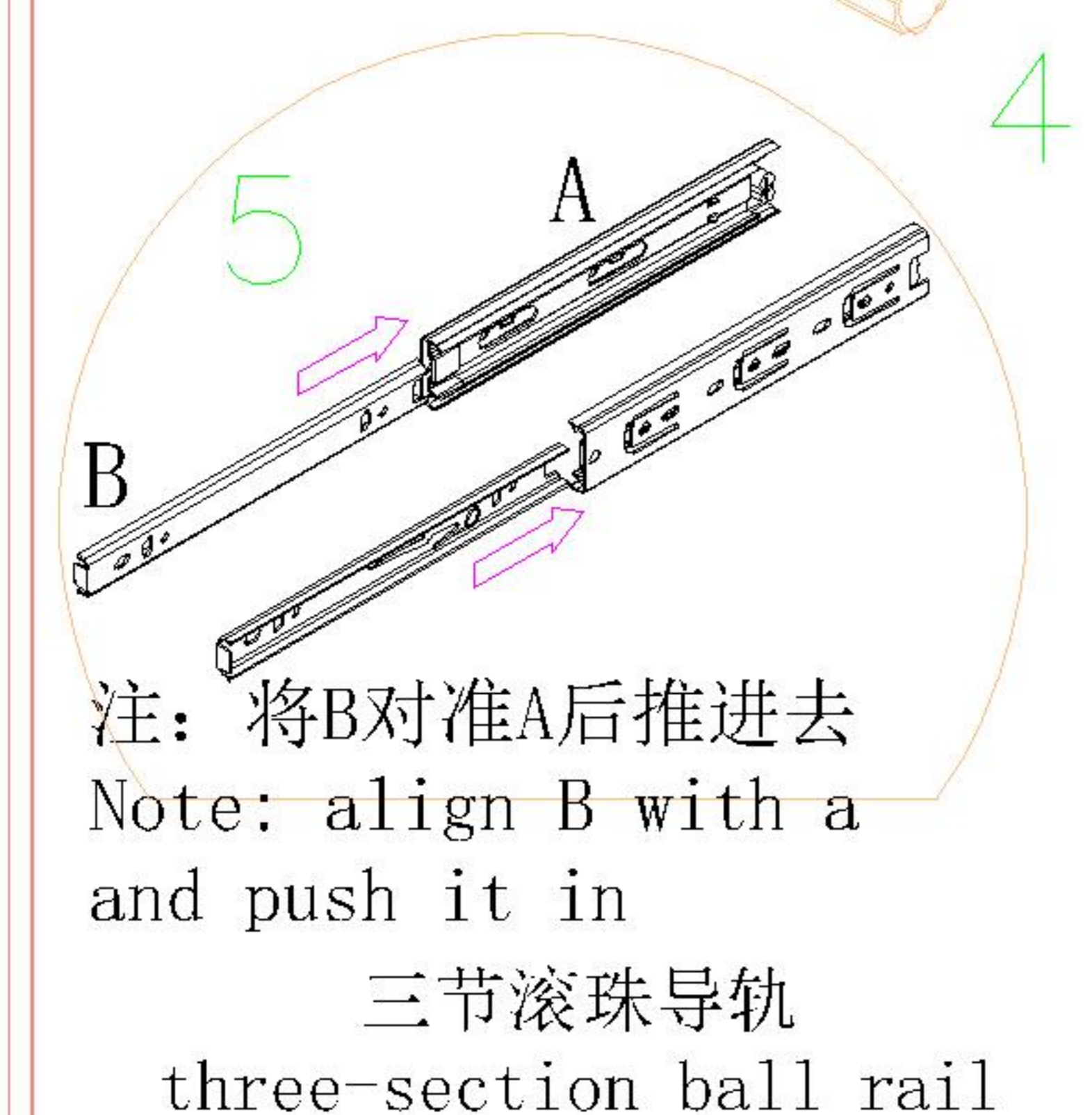
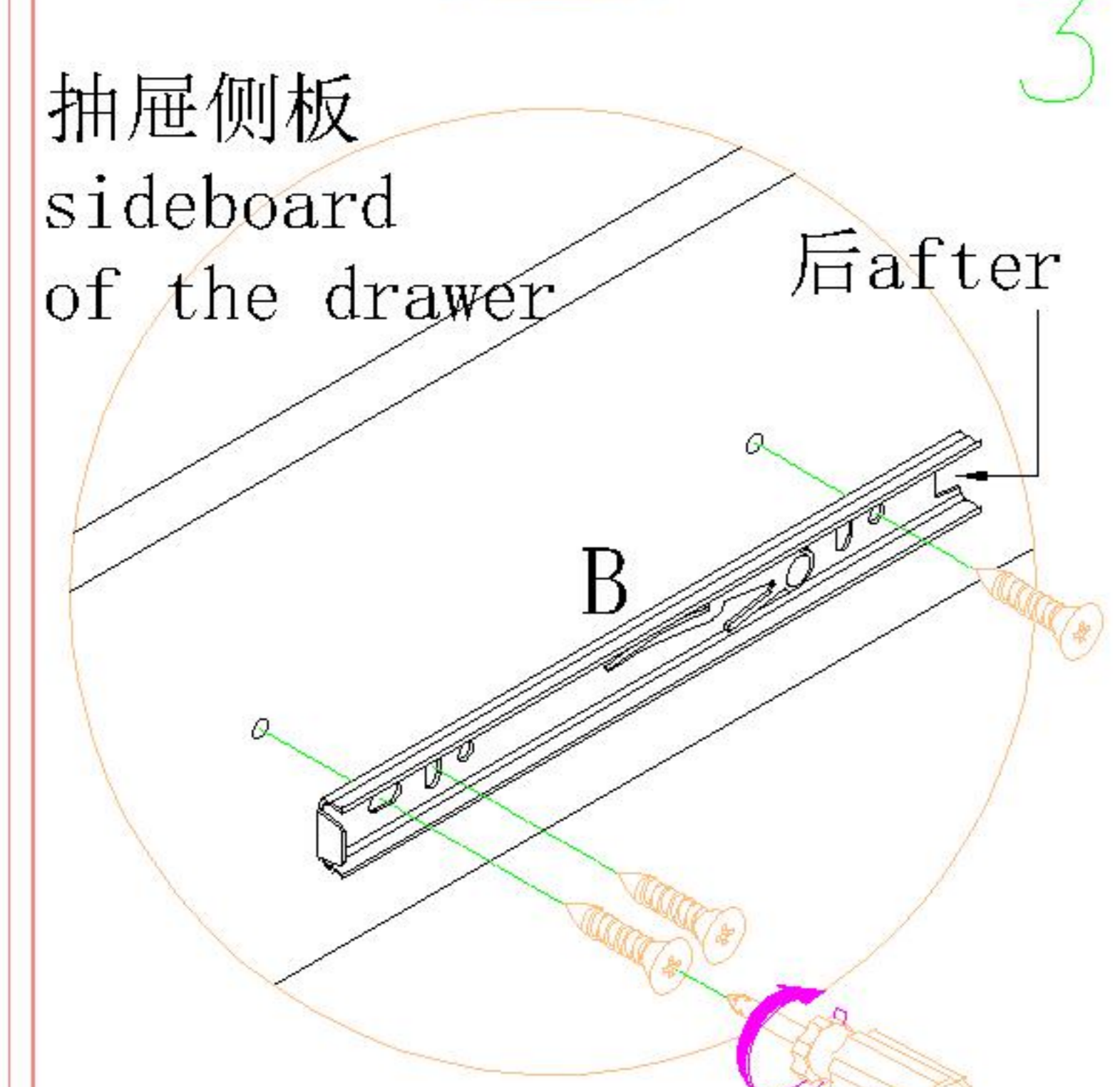
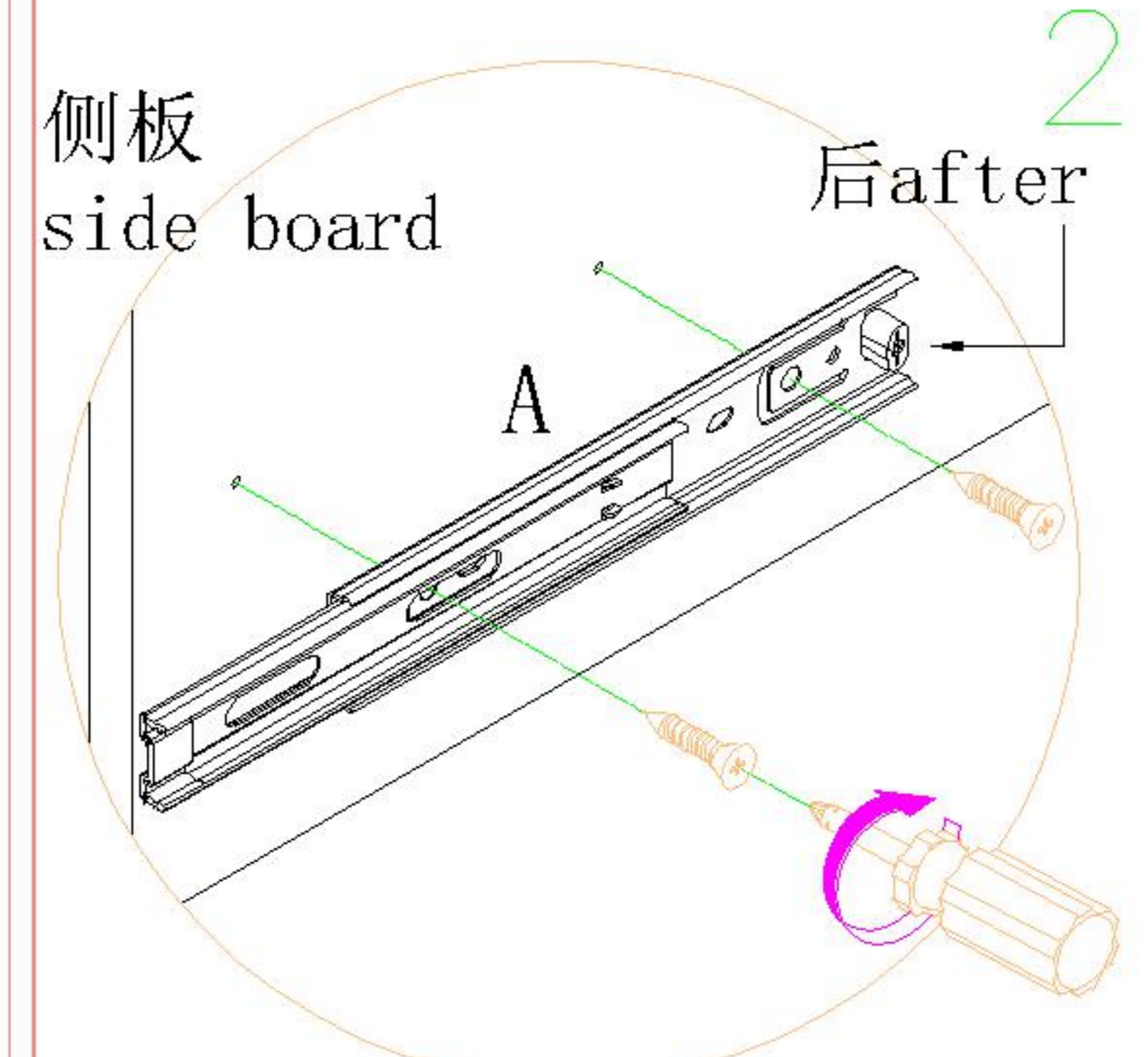
安装方法/ Installation method

阀门开关(下压为开)
Valve switch
(press down to open)

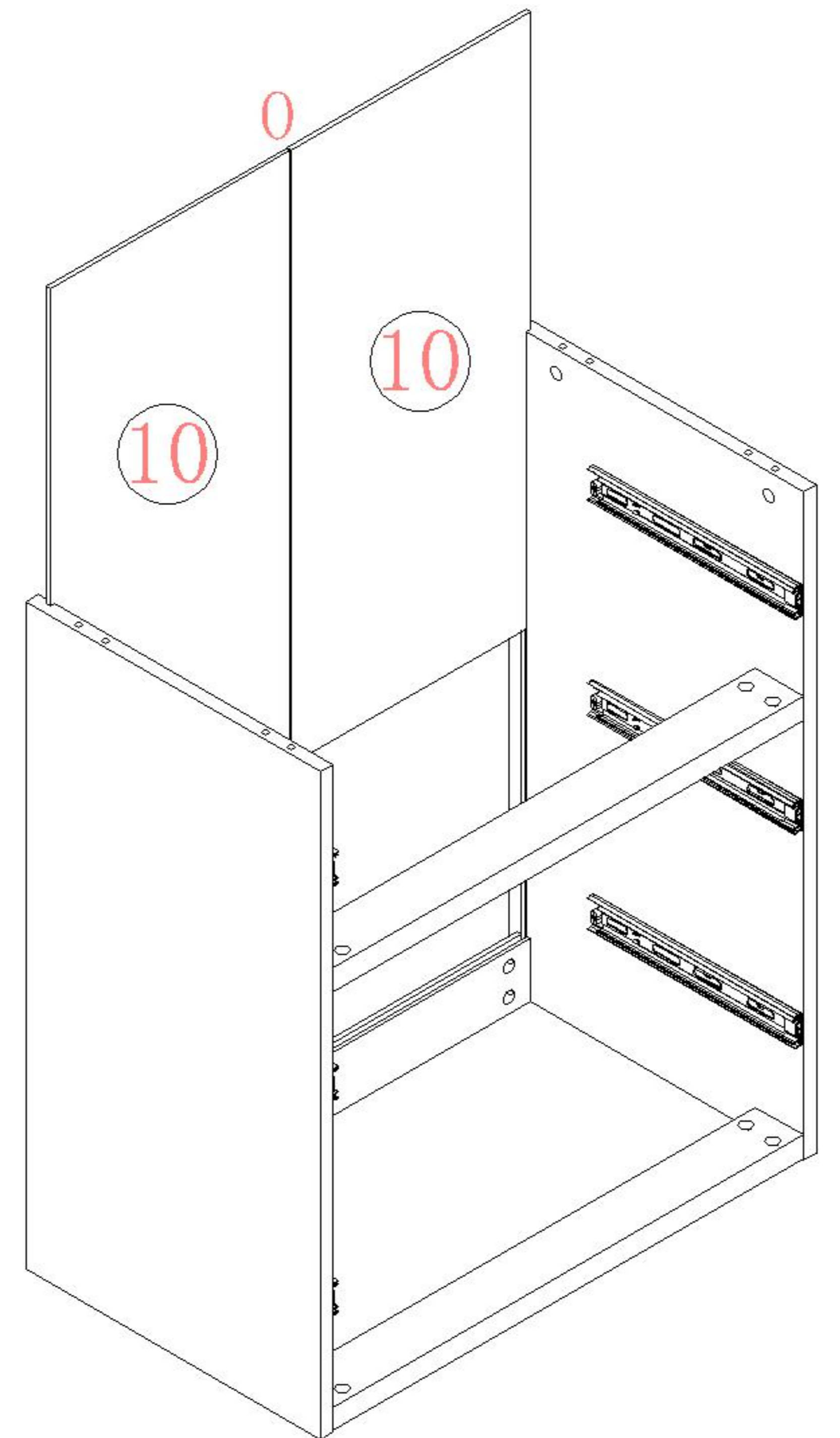
1



注: 先将A与B拆下来
Note: remove a and B first

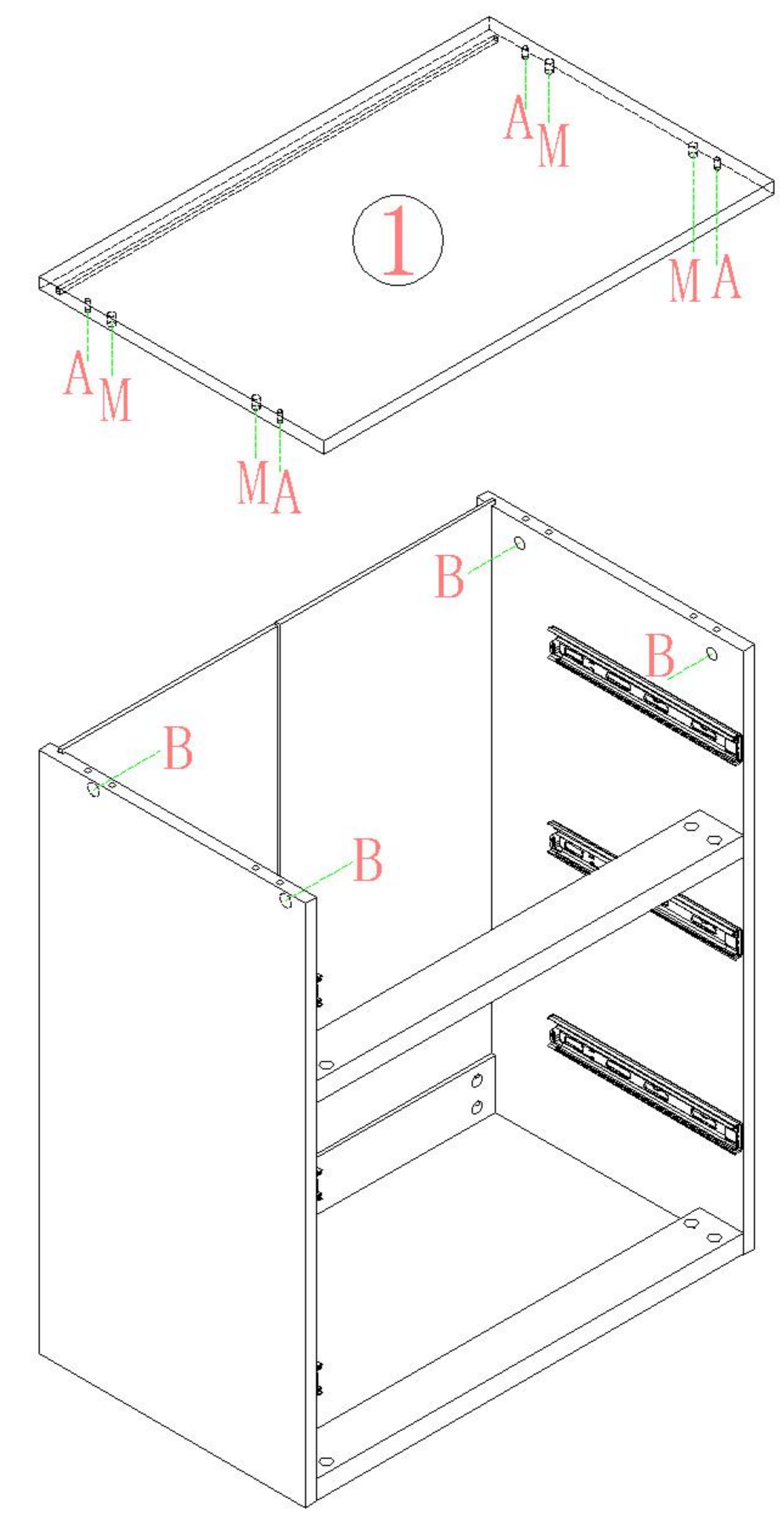


(O)*1



5

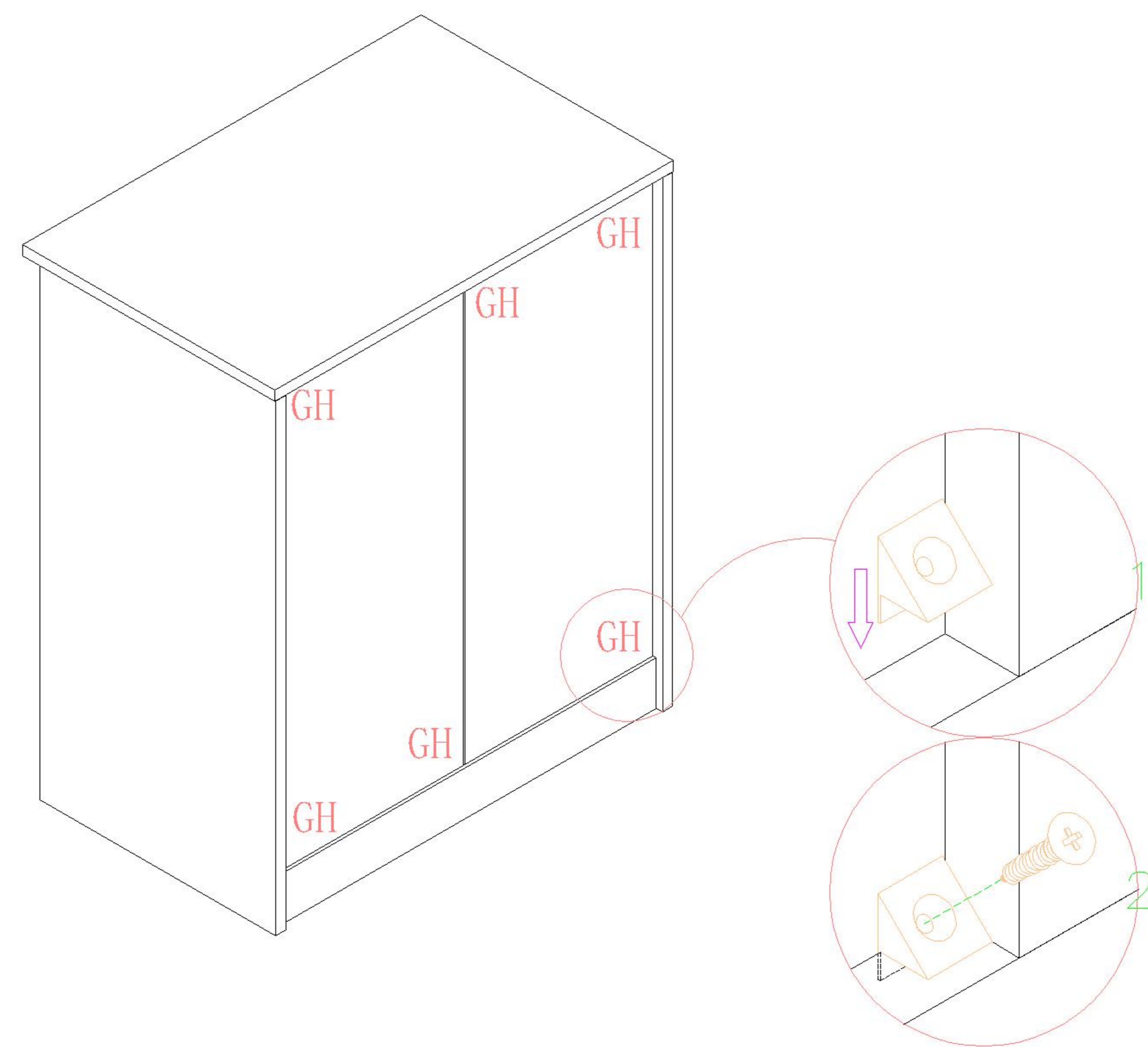
- (A)*4
- (B)*4
- (M)*4



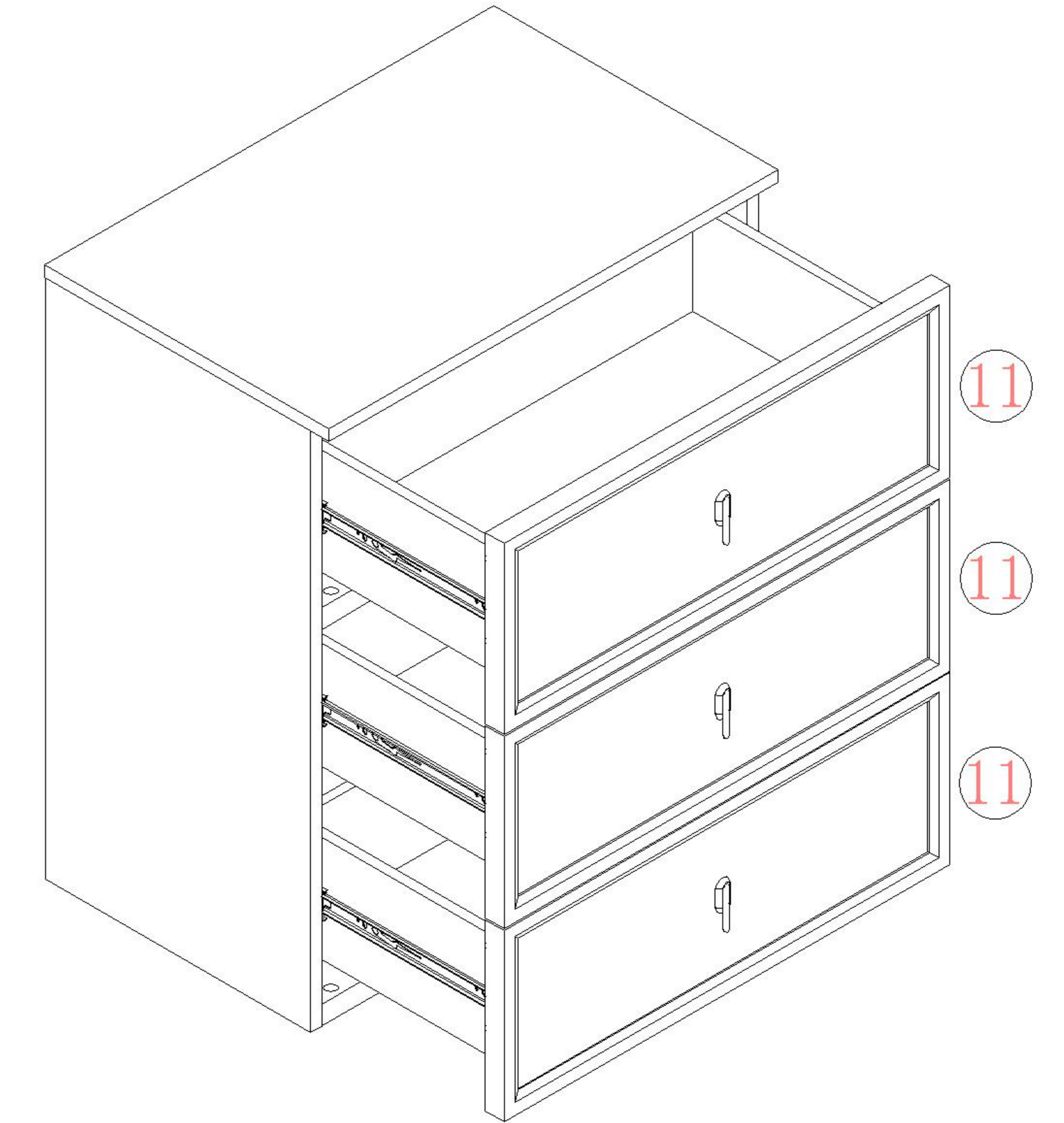
6

(G)*6
(H)*6

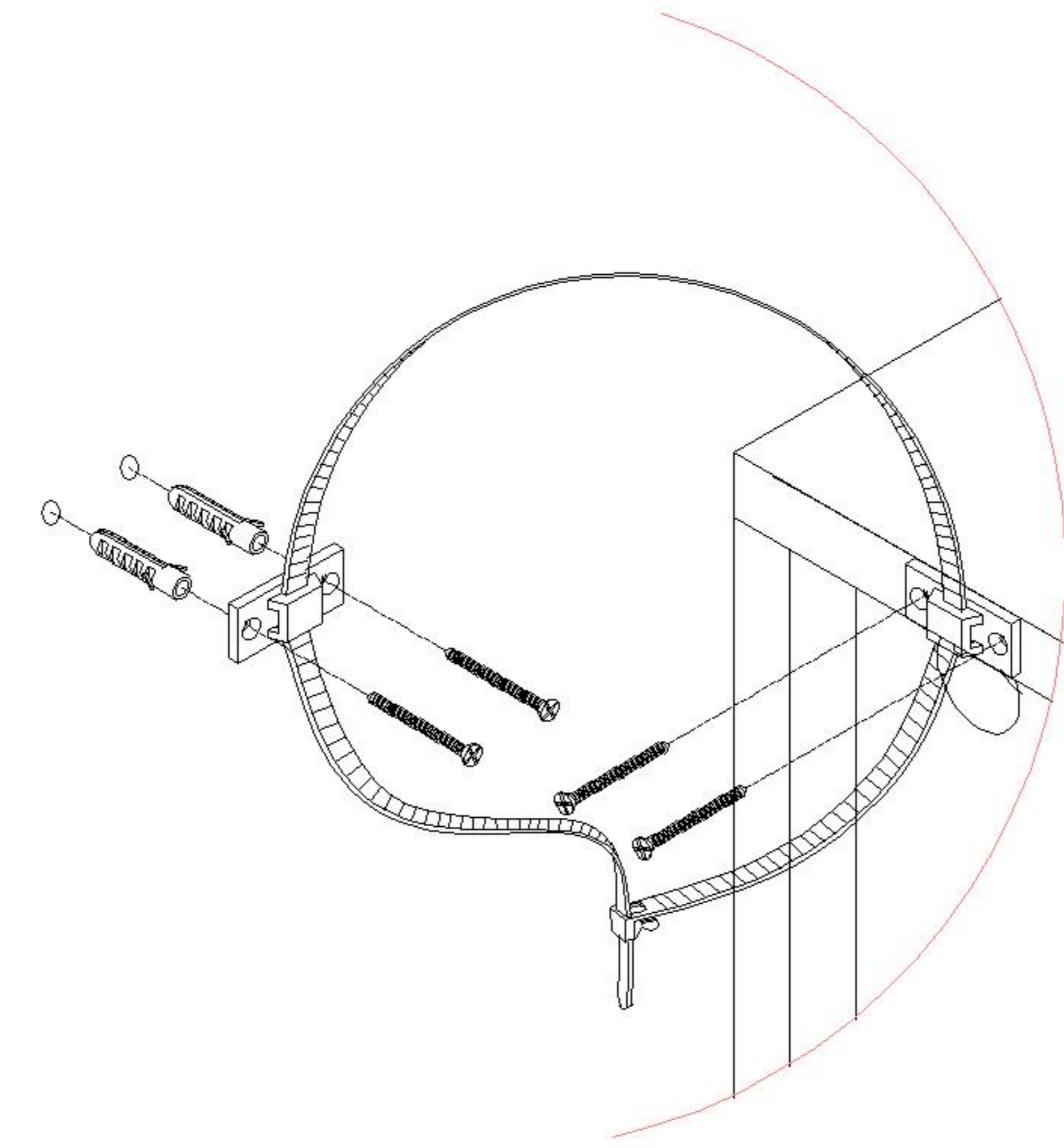
7



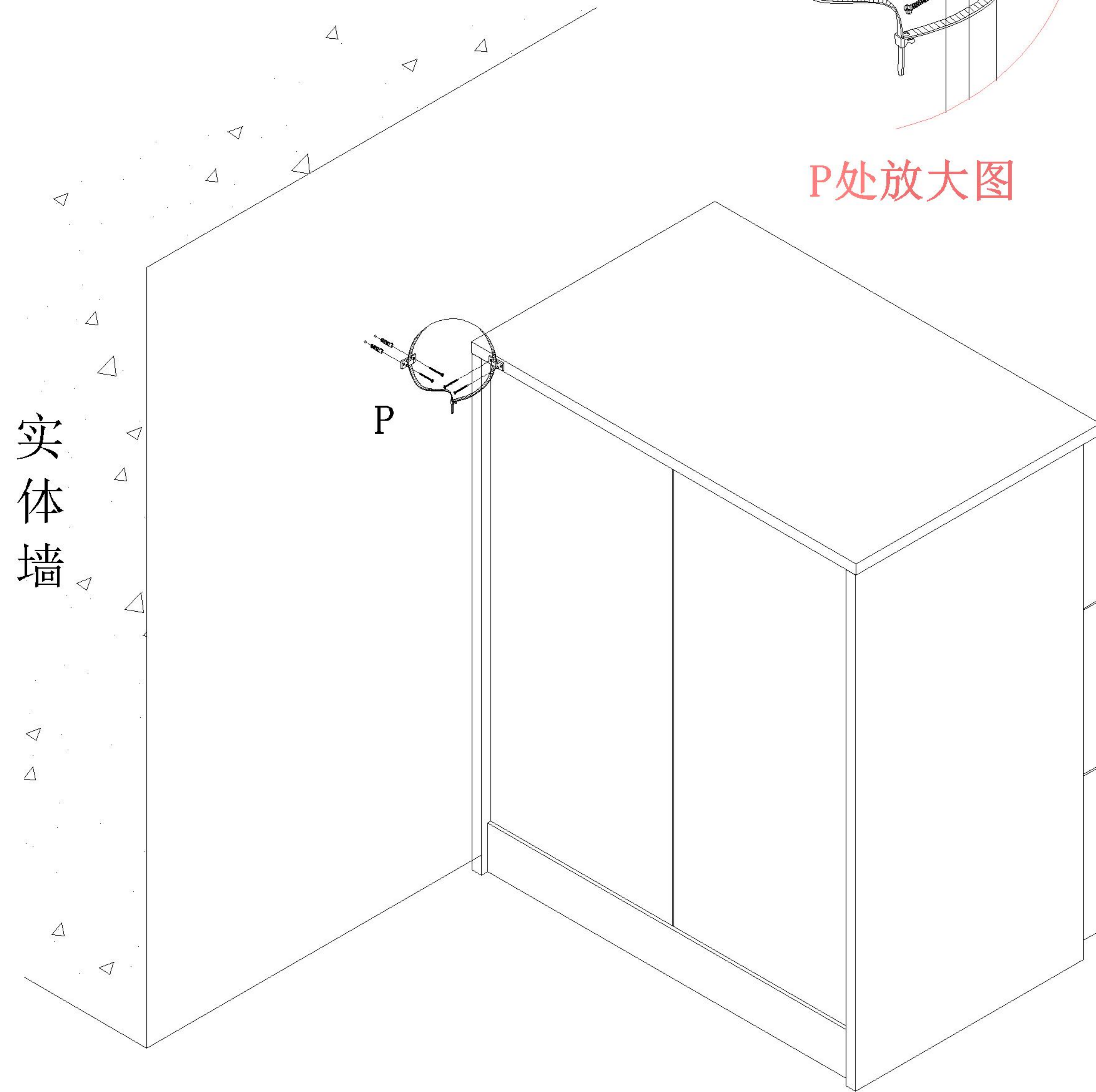
8



(P)*1



P处放大图



实体墙

