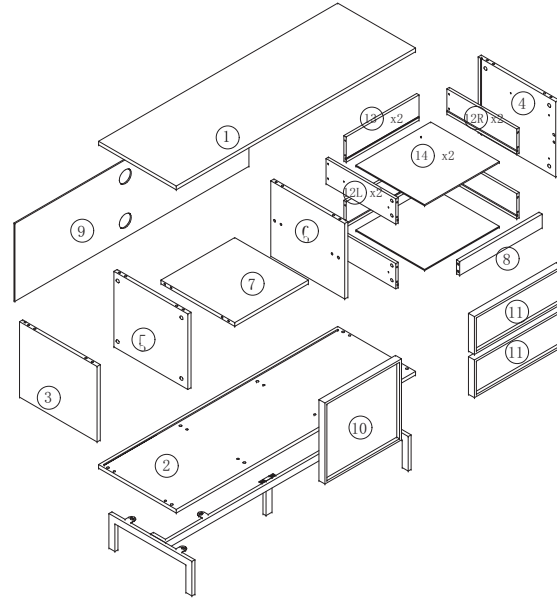
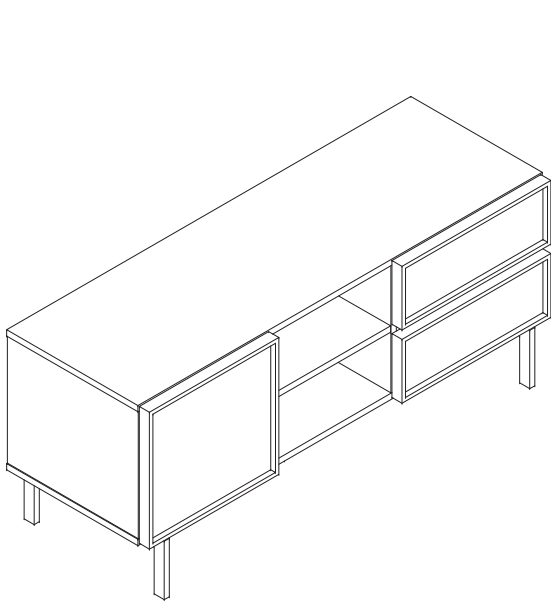


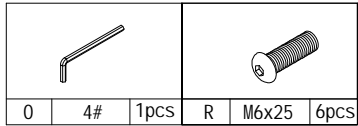
Assembly Instruction



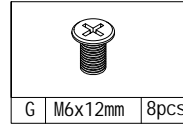
NO.	SIZE	QTY
1	1200x390x16	1
2	1198x390x16	1
3	328x389x16	1
4	328x389x16	1
5	328x371x16	1
6	328x371x16	1
7	362x370x16	1
8	414x60x16	1
9	1174x338x5	1
10	384x352x30	1
11	442x164x30	2
12	350x110x12	4
13	365x110x12	2
14	375x344x5	2

A M6x40mm 22pcs	B Ø15x11.5 22pcs	C Ø 8x30 22pcs
D Ø12x10mm 8set	E M4x14 24pcs	F M4x30 8pcs
O 4# 1pcs	R M6x25 6pcs	N / 8pcs
M / 2set	G M6x12mm 8pcs	K 12" 2set
Z Ø 20 22pcs		

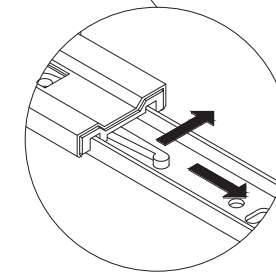
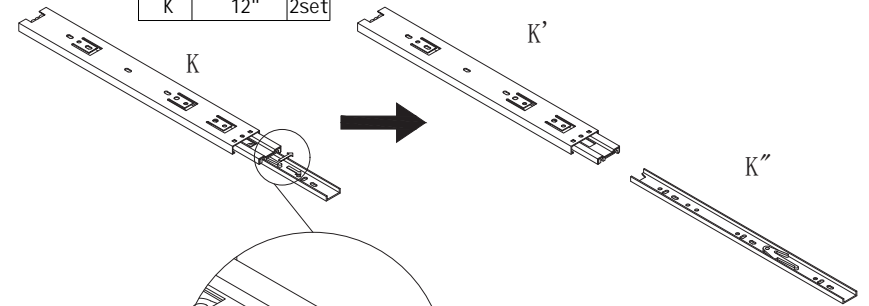
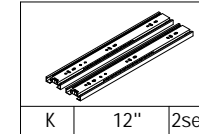
STEP 1:



STEP 2:

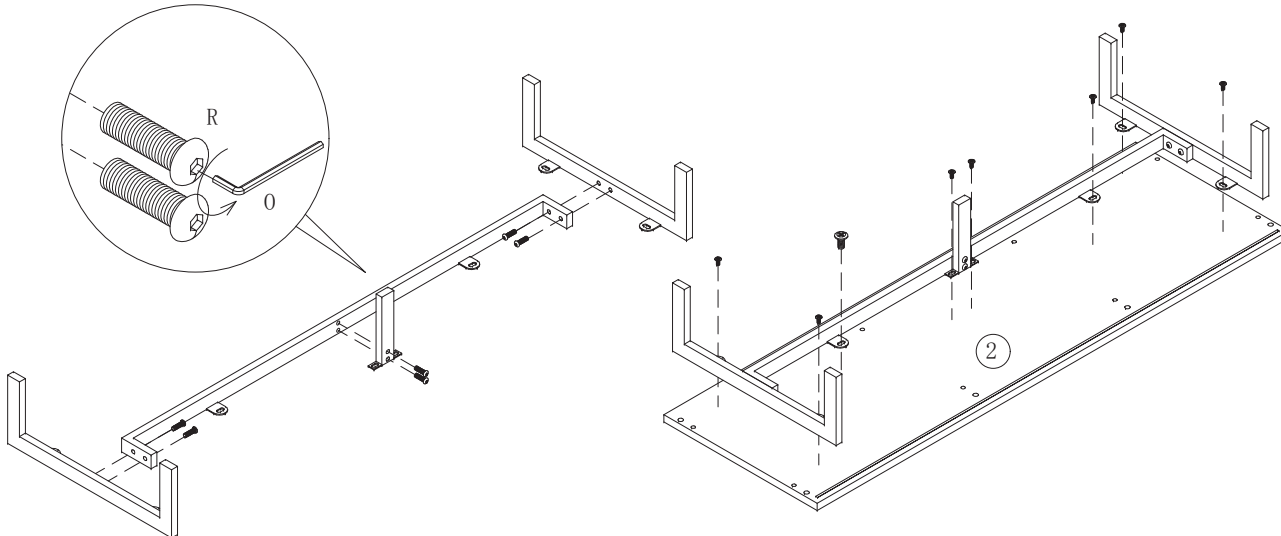


STEP 3:



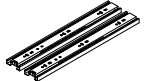


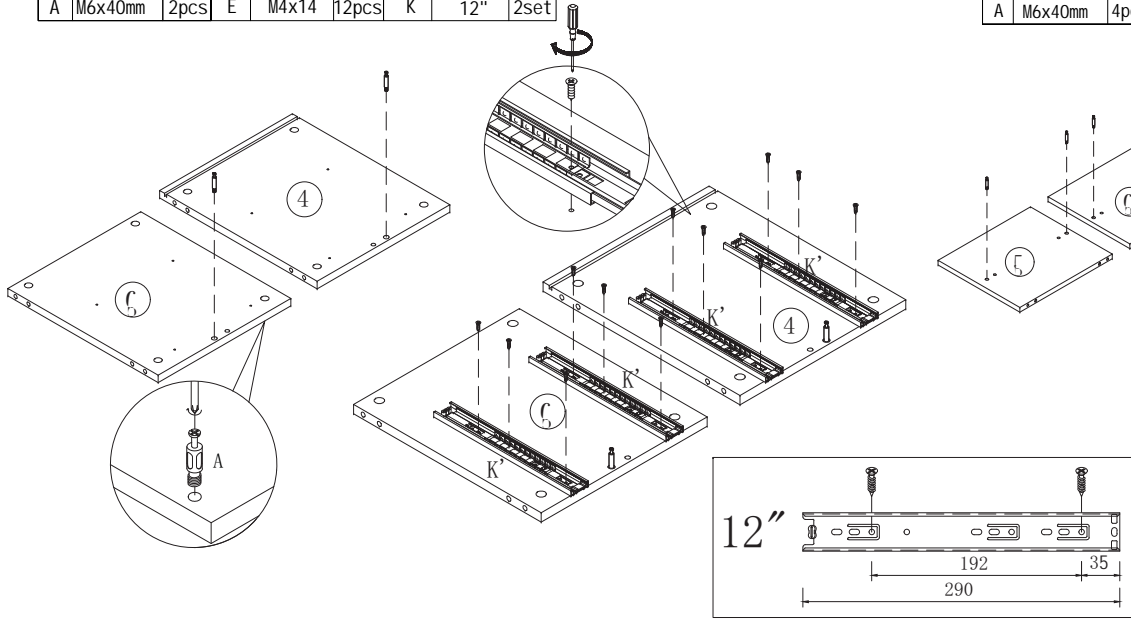
x4

Pull to split the gliders into 2 pcs






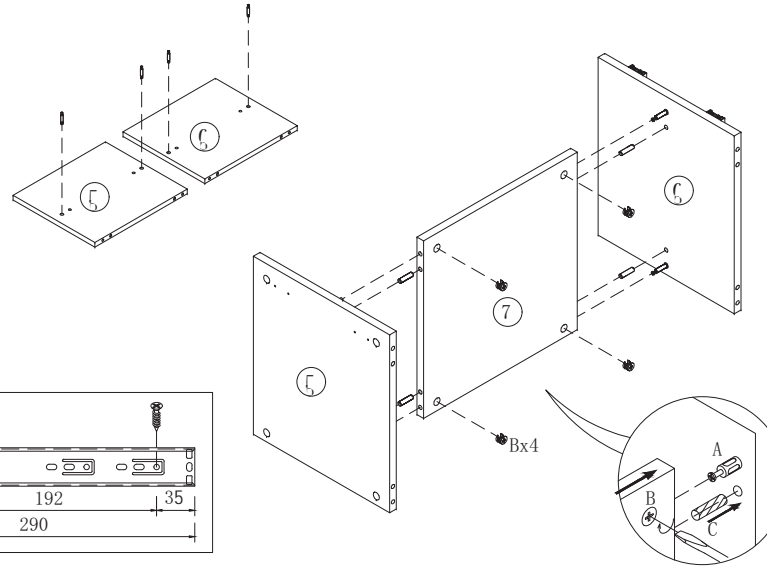
STEP 4:

		
A M6x40mm 2pcs	E M4x14 12pcs	K 12" 2set





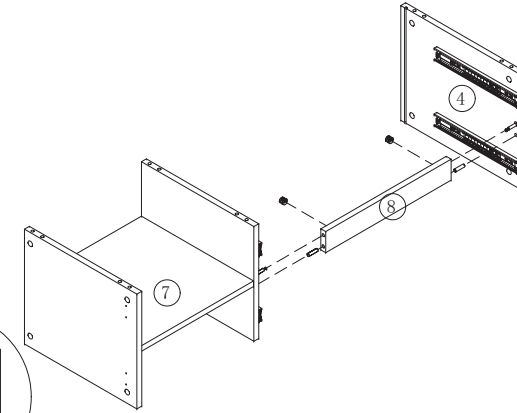
STEP 5:

		
A M6x40mm 4pcs	B Ø15x11.5 4pcs	C Ø8x30 4pcs




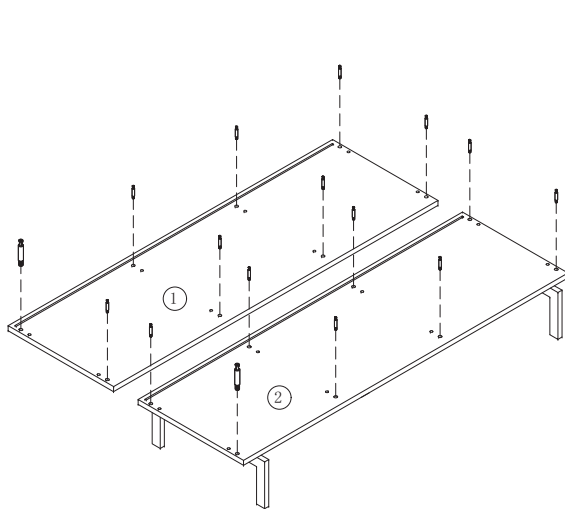
STEP 6:

	
B Ø15x11.5 2pcs	C Ø8x30 2pcs


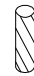


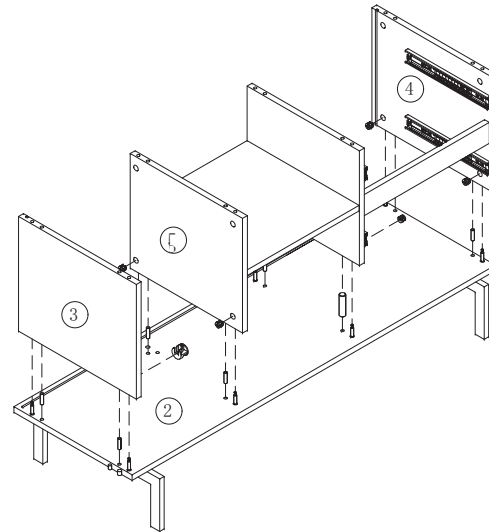
STEP 7:


A M6x40mm 16pcs


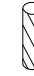


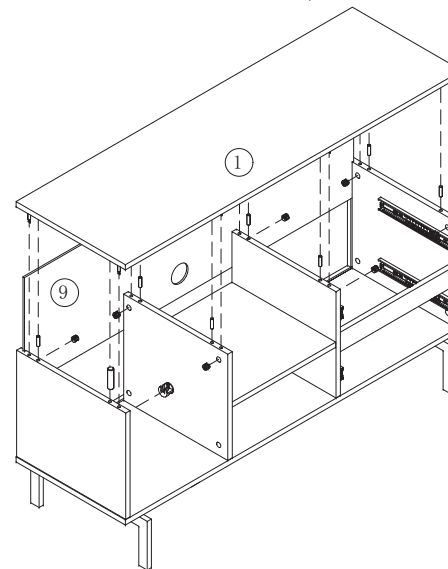
STEP 8:

	
B Ø15x11.5 8pcs	C Ø8x30 8pcs




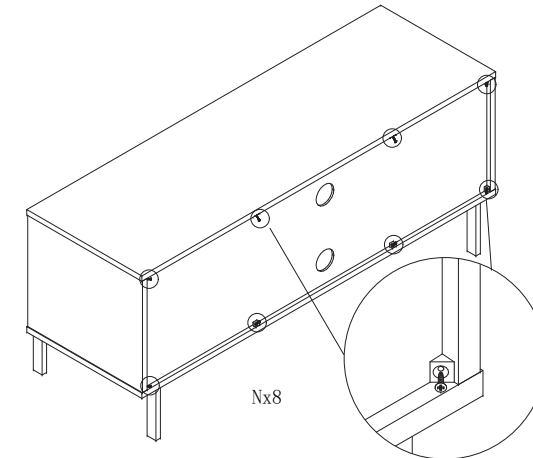
STEP 9:

	
B Ø15x11.5 8pcs	C Ø8x30 8pcs



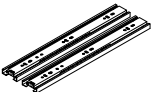



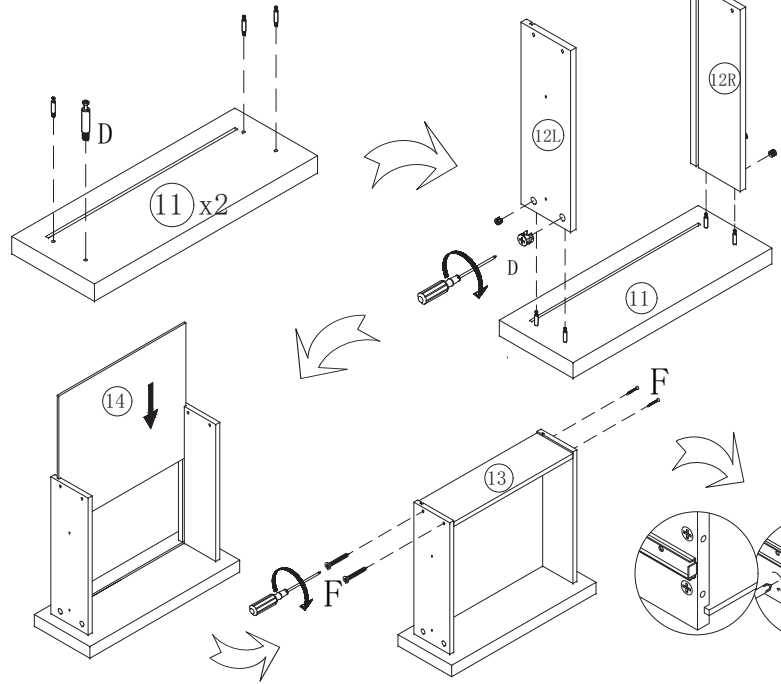
STEP 10:

	/	8pcs
N	/	8pcs

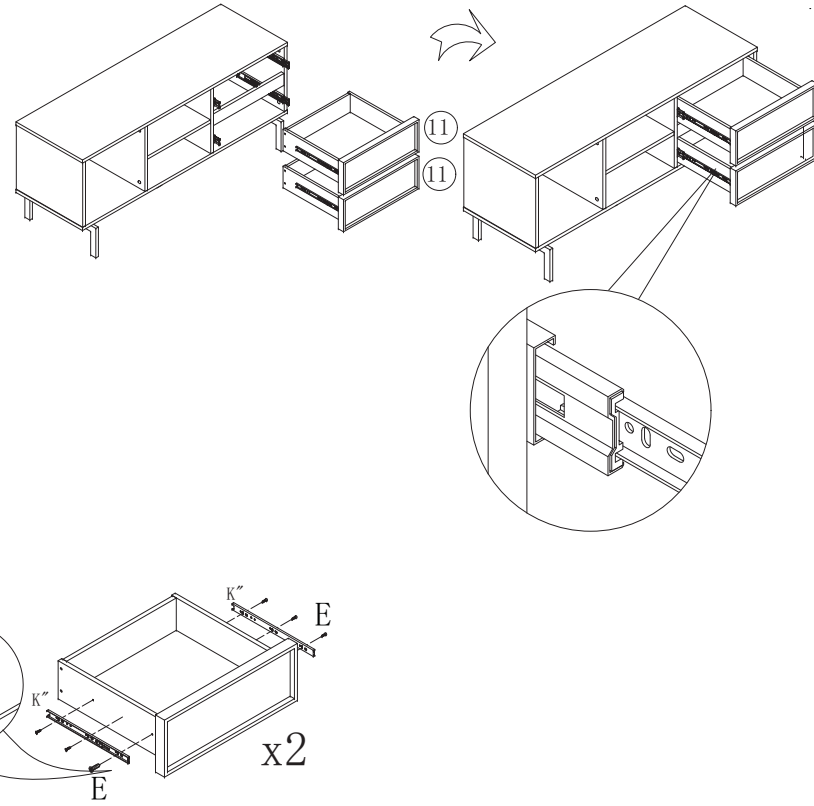


STEP 11:

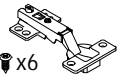
			
D	E	K	F
∅12x10mm	M4x14	12"	M4x30
8set	12pcs	2set	8pcs

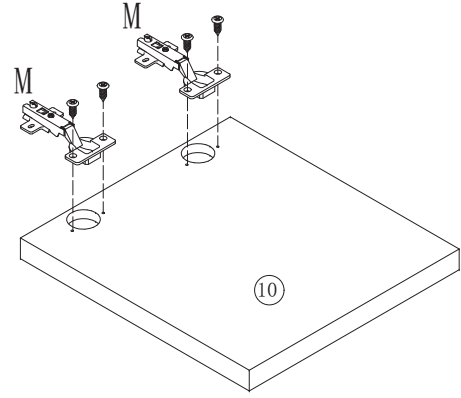


STEP 12:

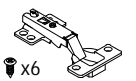


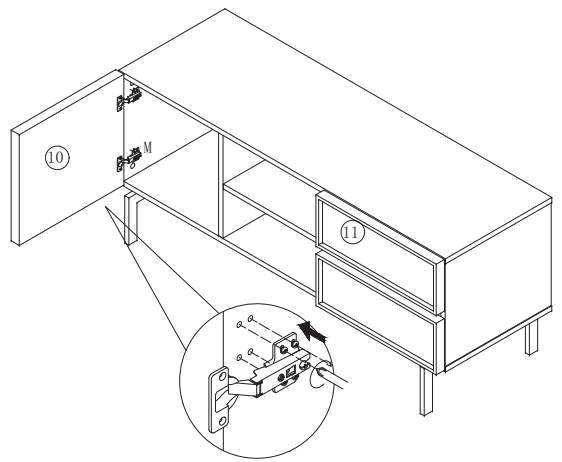
STEP 13:

	x6	
M	/	2set

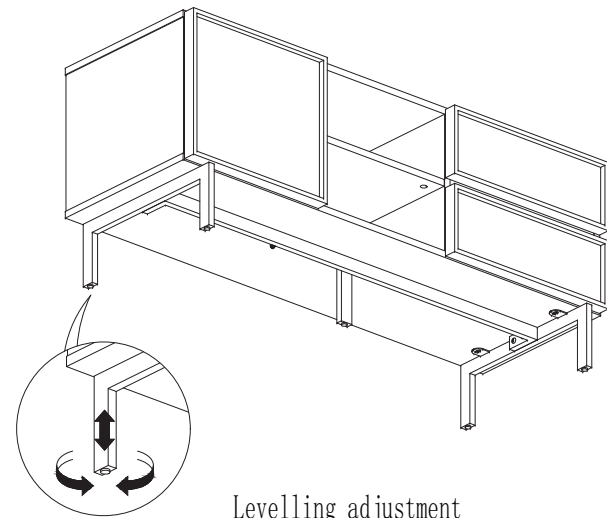


STEP 14:

	x6	
M	/	2set




STEP 15:



Levelling adjustment

STEP 16:

	∅20	22pcs
Z		

