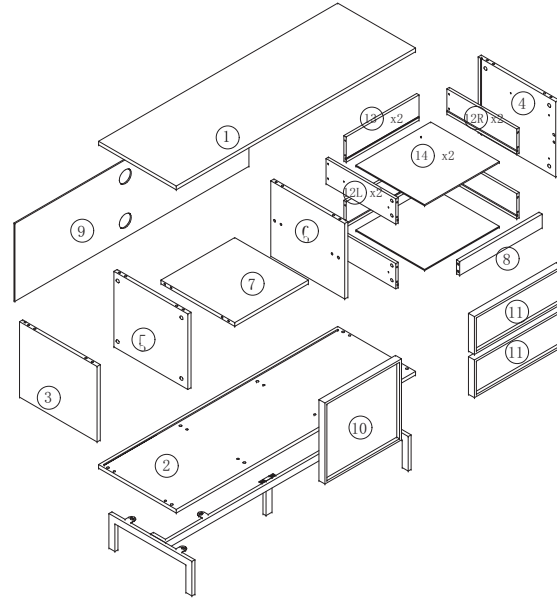
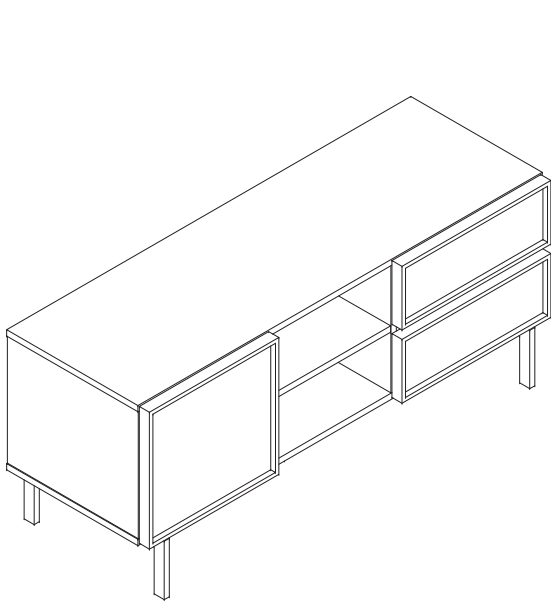


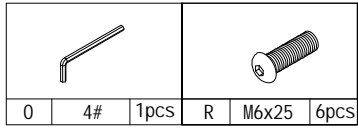
Assembly Instruction



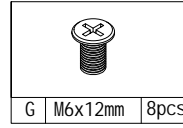
| NO. | SIZE | QTY |
|-----|-------------|-----|
| 1 | 1200x390x16 | 1 |
| 2 | 1198x390x16 | 1 |
| 3 | 328x389x16 | 1 |
| 4 | 328x389x16 | 1 |
| 5 | 328x371x16 | 1 |
| 6 | 328x371x16 | 1 |
| 7 | 362x370x16 | 1 |
| 8 | 414x60x16 | 1 |
| 9 | 1174x338x5 | 1 |
| 10 | 384x352x30 | 1 |
| 11 | 442x164x30 | 2 |
| 12 | 350x110x12 | 4 |
| 13 | 365x110x12 | 2 |
| 14 | 375x344x5 | 2 |

| | | |
|---------------------|----------------------|--------------------|
| | | |
| A M6x40mm 22pcs | B Ø15x11.5 22pcs | C Ø 8x30 22pcs |
| | | |
| D Ø12x10mm 8set | E M4x14 24pcs | F M4x30 8pcs |
| | | |
| O 4# 1pcs | R M6x25 6pcs | N / 8pcs |
| | | |
| M / 2set | G M6x12mm 8pcs | K 12" 2set |
| | | |
| Z Ø 20 22pcs | | |

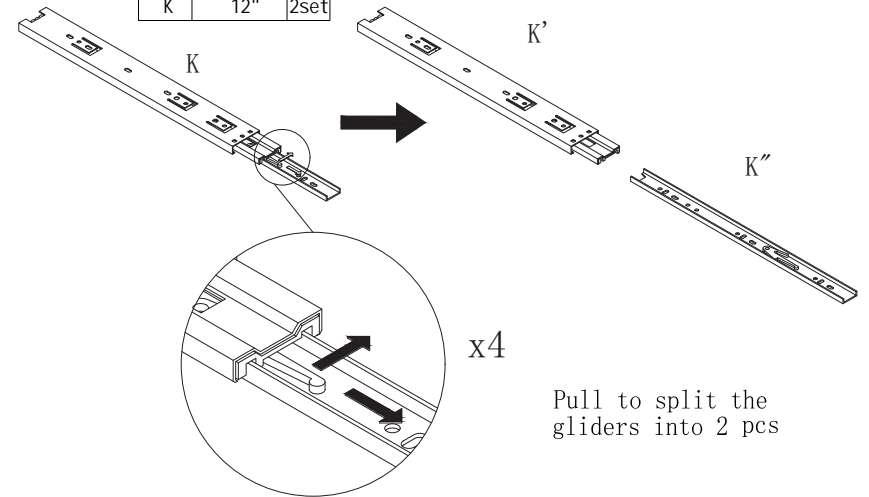
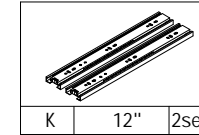
STEP 1:



STEP 2:



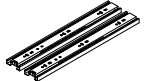


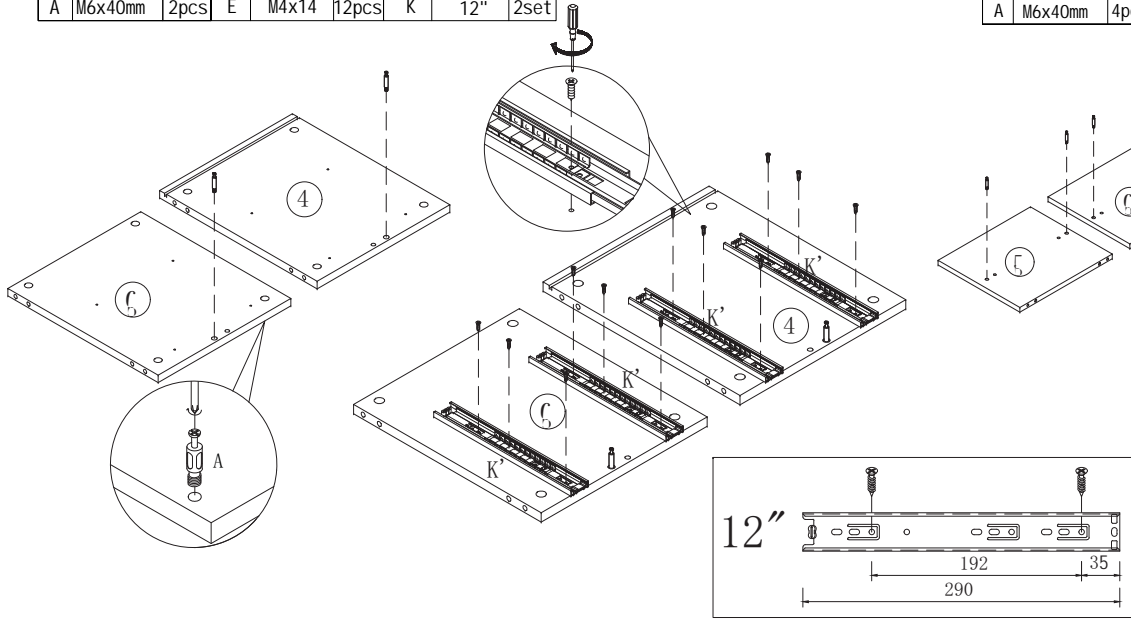
STEP 3:






Pull to split the gliders into 2 pcs

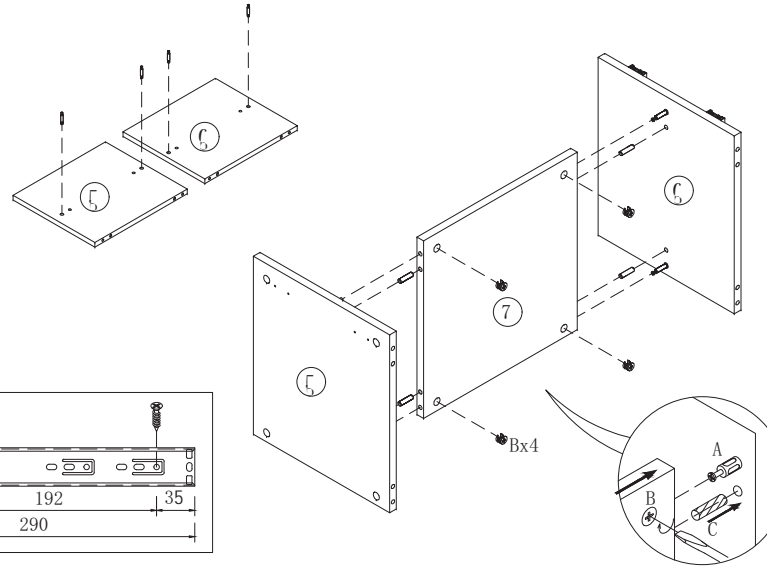
STEP 4:

| | | |
|--|--|--|
|  |  |  |
| A M6x40mm 2pcs | E M4x14 12pcs | K 12" 2set |





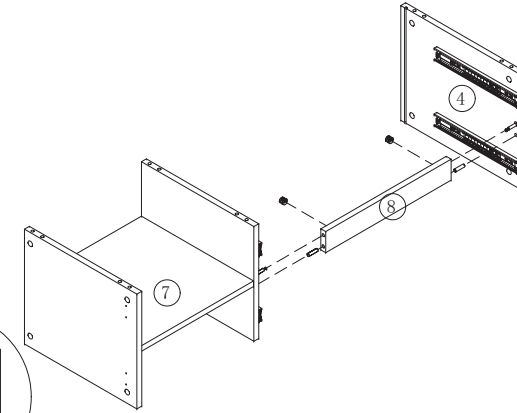
STEP 5:

| | | |
|--|---|--|
|  |  |  |
| A M6x40mm 4pcs | B Ø15x11.5 4pcs | C Ø8x30 4pcs |




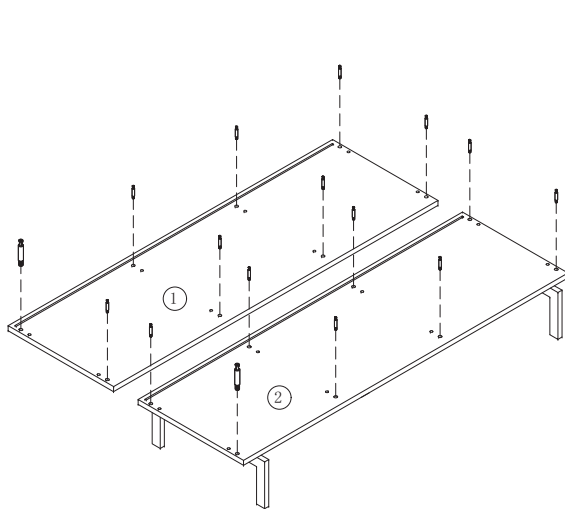
STEP 6:

| | |
|---|--|
|  |  |
| B Ø15x11.5 2pcs | C Ø8x30 2pcs |


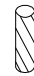


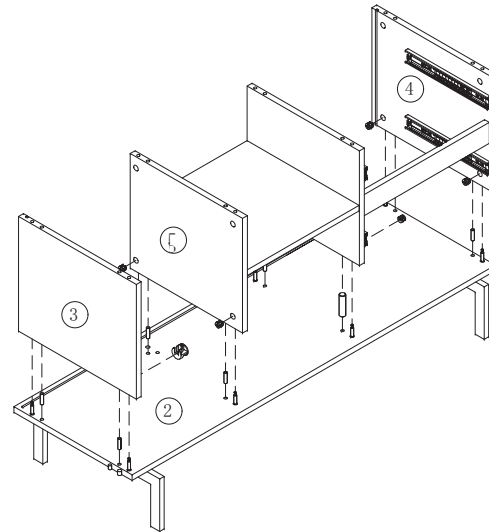
STEP 7:

| |
|---|
|  |
| A M6x40mm 16pcs |


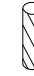


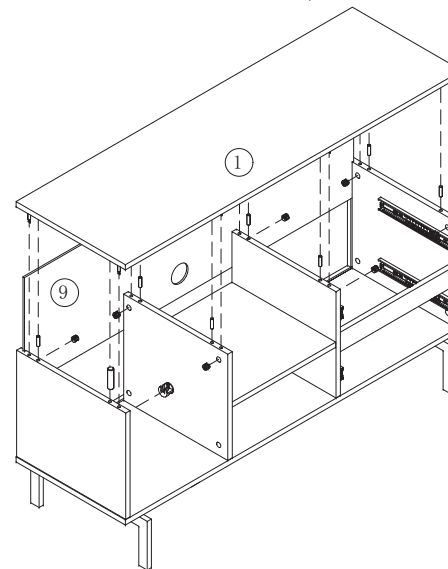
STEP 8:

| | |
|---|---|
|  |  |
| B Ø15x11.5 8pcs | C Ø8x30 8pcs |




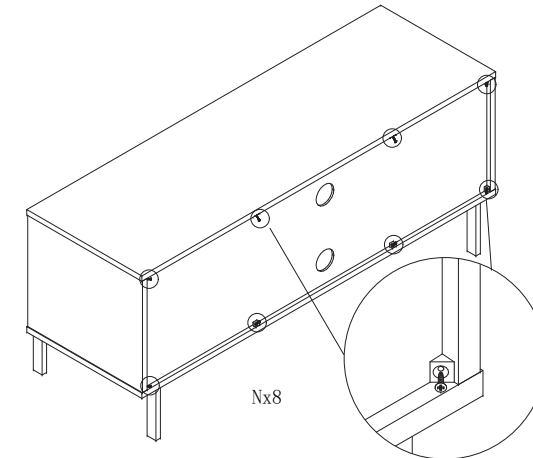
STEP 9:

| | |
|---|---|
|  |  |
| B Ø15x11.5 8pcs | C Ø8x30 8pcs |



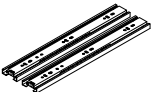



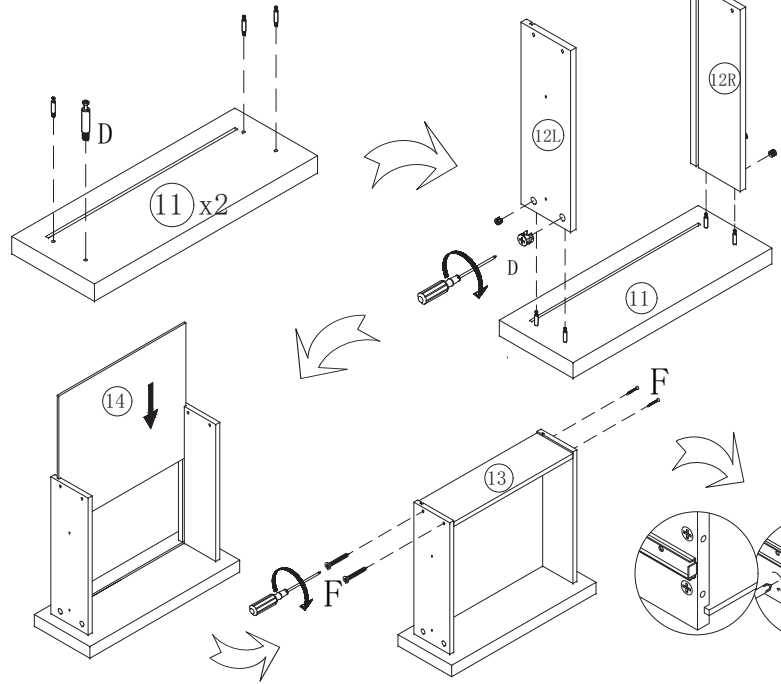
STEP 10:

| | |
|---|------|
|  | / |
| N | 8pcs |

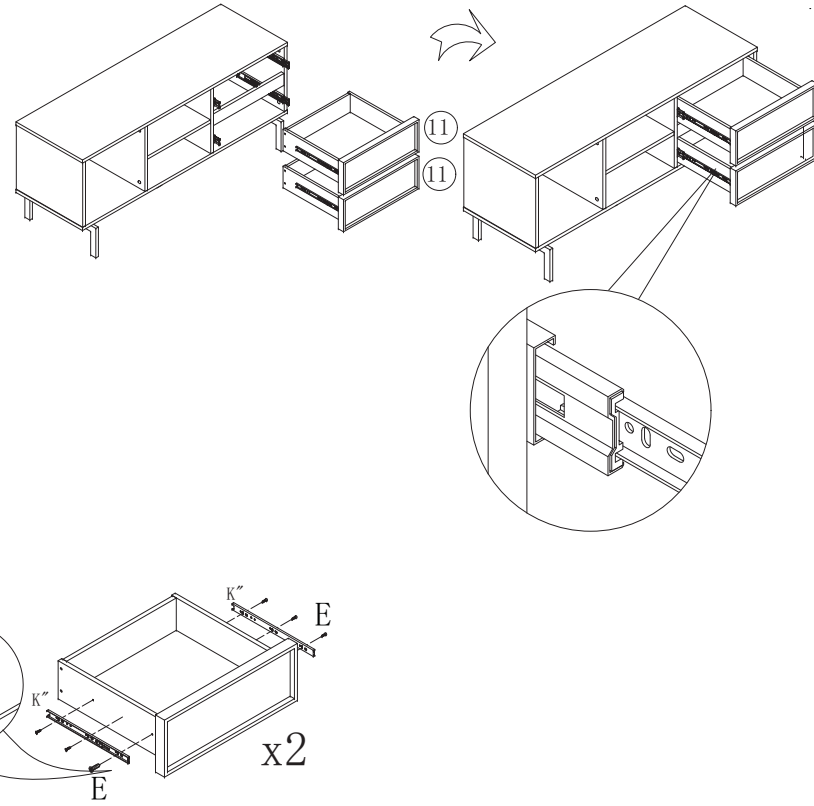


STEP 11:

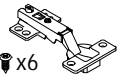
| | | | |
|---|--|--|--|
|  |  |  |  |
| D | E | K | F |
| ∅12x10mm | M4x14 | 12" | M4x30 |
| 8set | 12pcs | 2set | 8pcs |

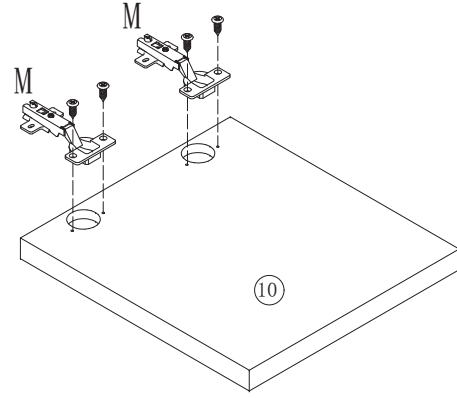


STEP 12:

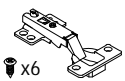


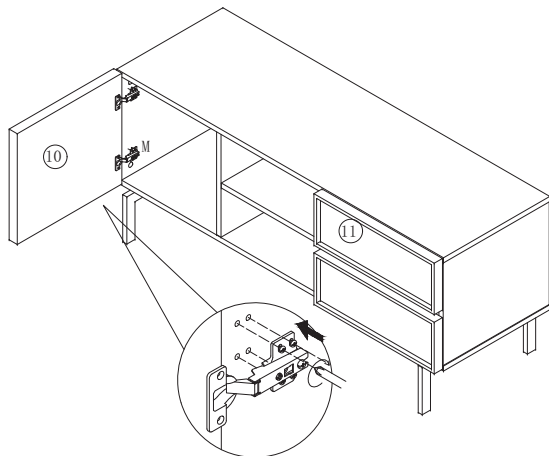
STEP 13:

| | | |
|--|---|------|
|  | | |
| M | / | 2set |

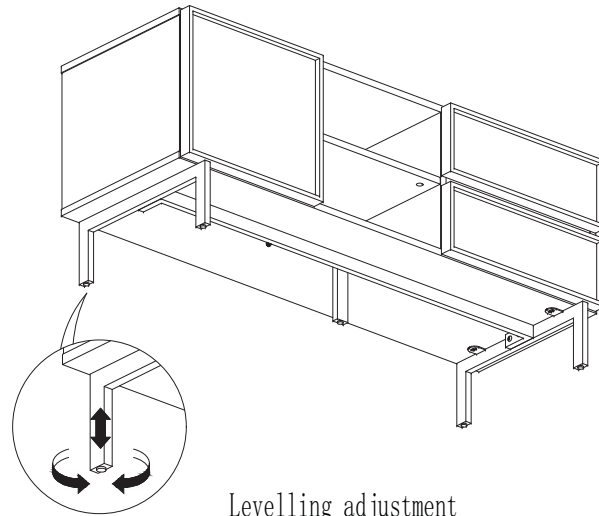


STEP 14:

| | | |
|--|---|------|
|  | | |
| M | / | 2set |




STEP 15:



Levelling adjustment

STEP 16:

| | | |
|---|-----|-------|
|  | | |
| Z | ∅20 | 22pcs |

