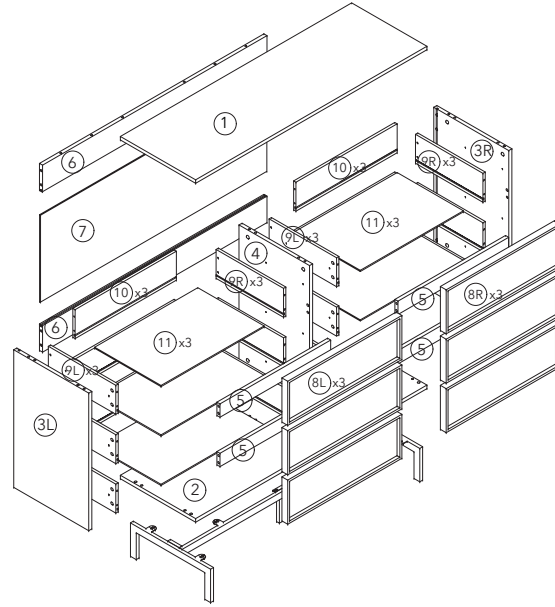
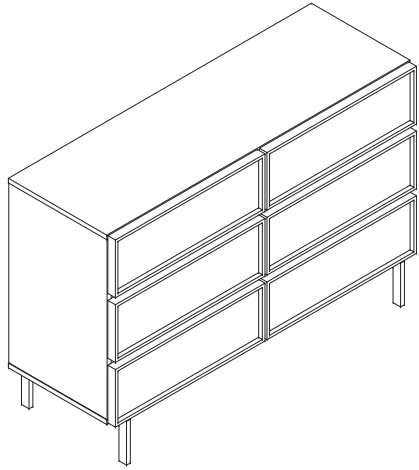


# Assembly Instruction



NO.	SIZE	QTY
1	1200x390x16	1
2	1200x390x16	1
3	618x389x16	2
4	618x366x16	1
5	574x60x16	4
6	1164x119x16	2
7	1174x390x5	1
8	592x198x30	6
9	350x130x12	12
10	525x130x12	6
11	535x344x5	6

A M6x40mm 32pcs	B Ø15x11.5 32pcs	C Ø 8x30 28pcs
D Ø12x10mm 24set	E M4x14 72pcs	F M4x30 24pcs
G M6x12mm 8pcs	H M6x25 6pcs	I 12" 6set
J / 2set	K M6x12mm 8pcs	L Ø 20 32pcs

## STEP 1:

O 4# 1pcs	R M6x25 6pcs

## STEP 2:

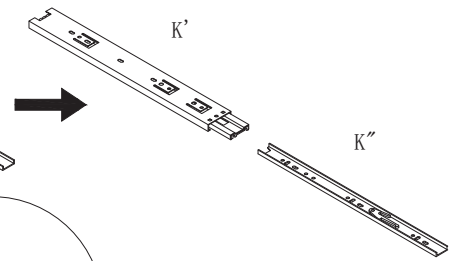
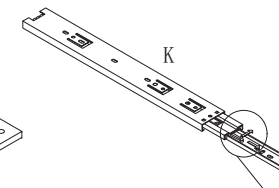
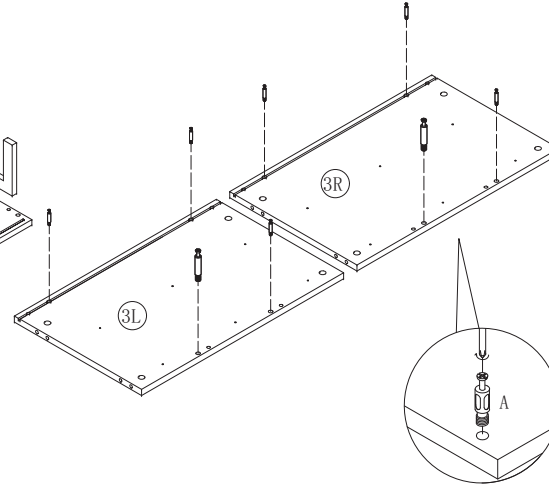
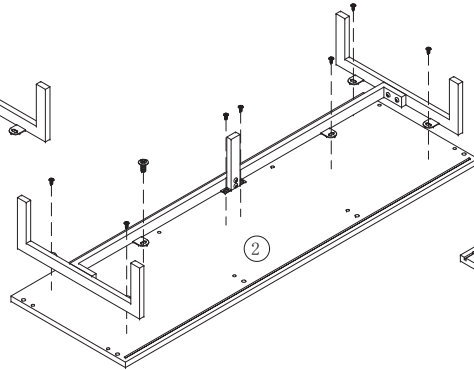
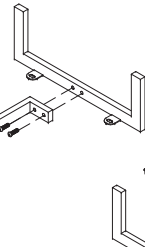
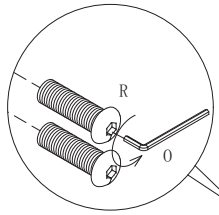
G M6x12mm 8pcs

## STEP 3:

A M6x40mm 8pcs

## STEP 4:


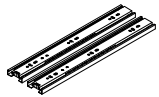
K 12" 6set

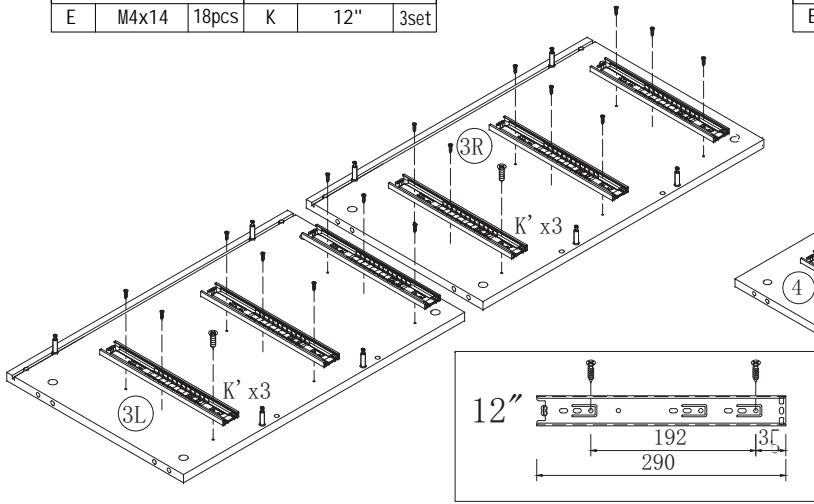


x12



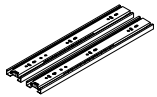
Pull to split the gliders into 2 pcs

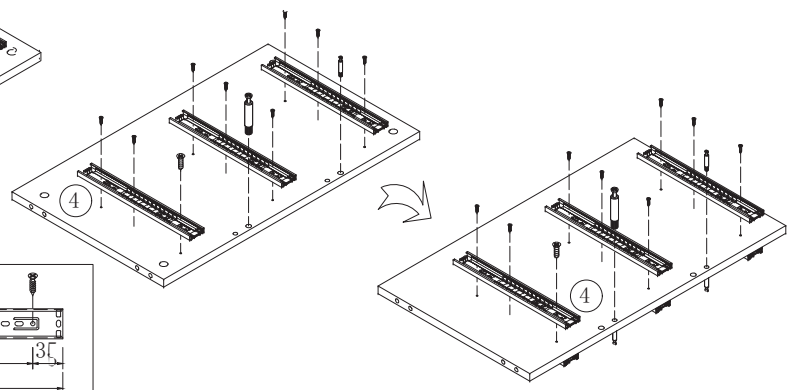
STEP 5:

	
E	M4x14 18pcs
K	12" 3set


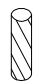


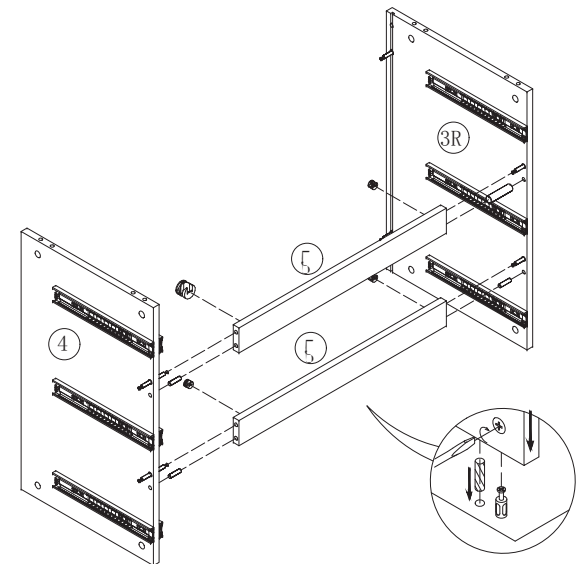
STEP 6:

		
E	M4x14 18pcs	A
		M6x40mm 4pcs
		K
		12" 3set





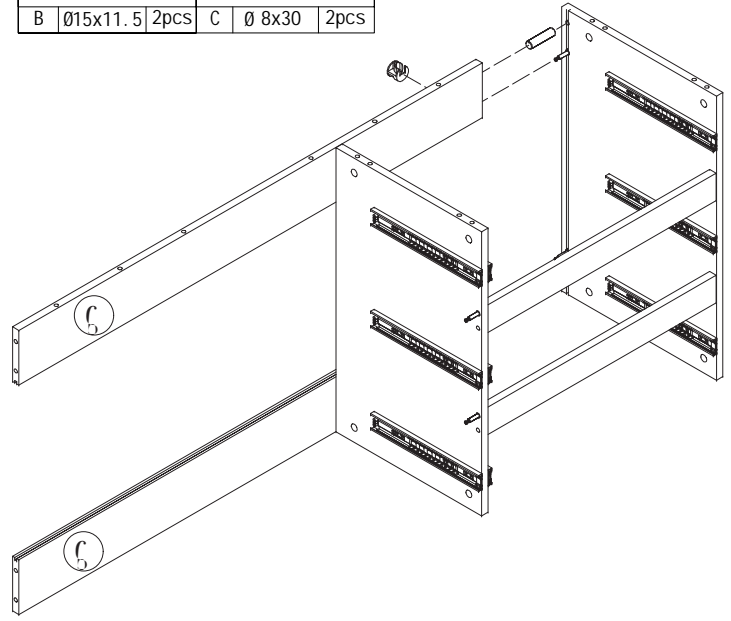
STEP 7:

	
B	Ø15x11.5 4pcs
C	Ø8x30 4pcs


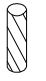


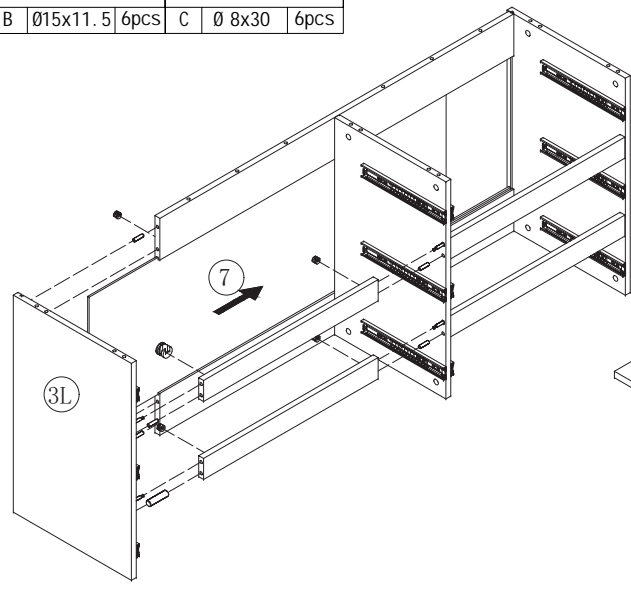
STEP 8:

	
B	Ø15x11.5 2pcs
C	Ø 8x30 2pcs

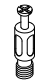


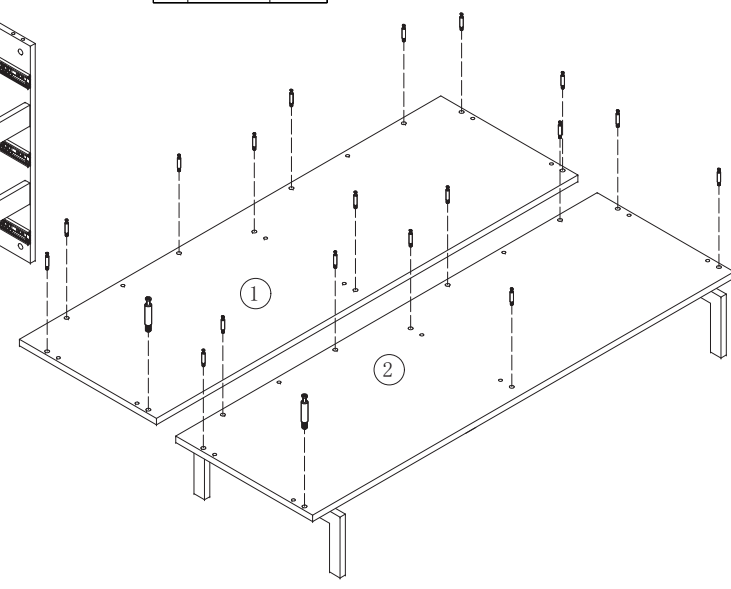
STEP 9:

	
B	Ø15x11.5 6pcs
C	Ø 8x30 6pcs



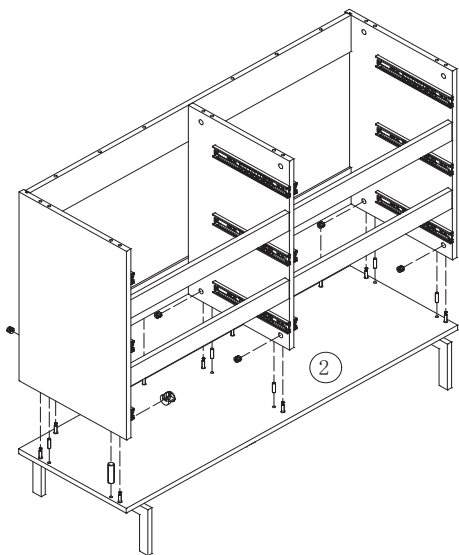
STEP 10:


A
M6x40mm 20pcs



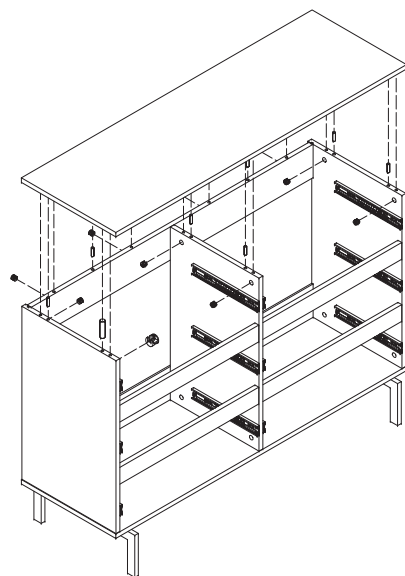
STEP 11:

B   Ø15x11.5   10pcs	C   Ø 8x30   8pcs



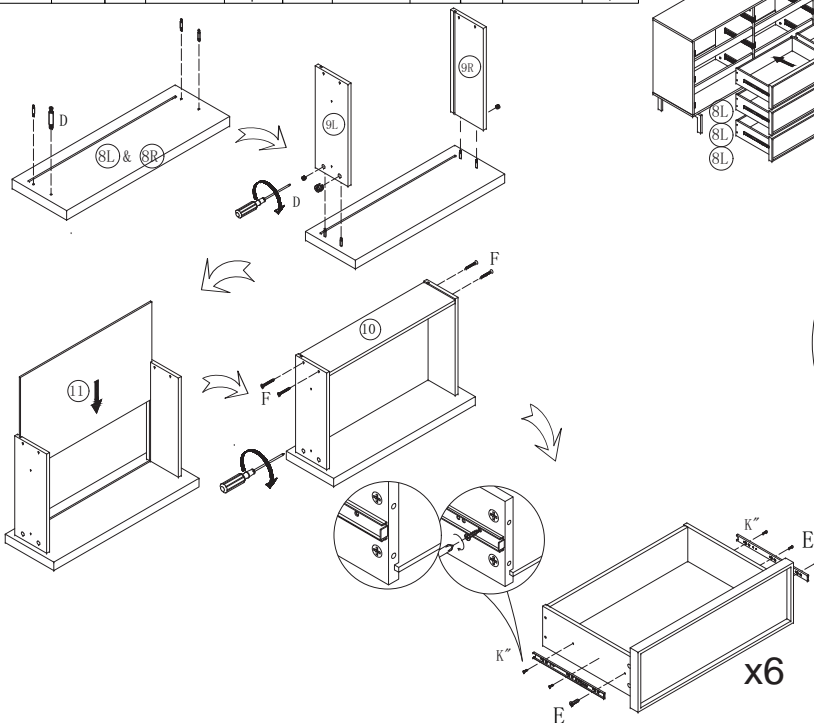
STEP 12:

B   Ø15x11.5   10pcs	C   Ø 8x30   8pcs

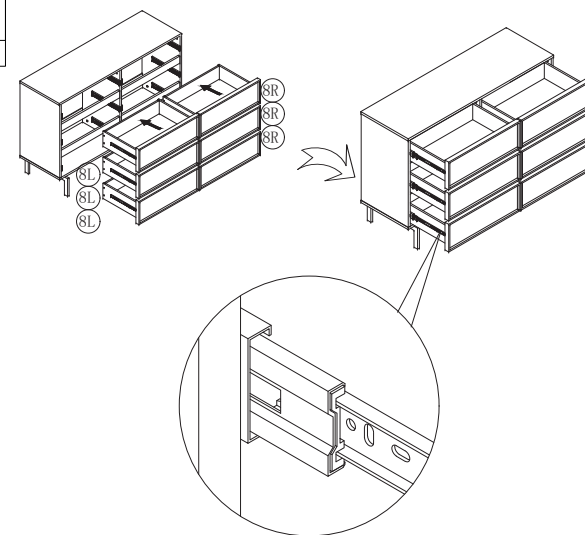


STEP 13:

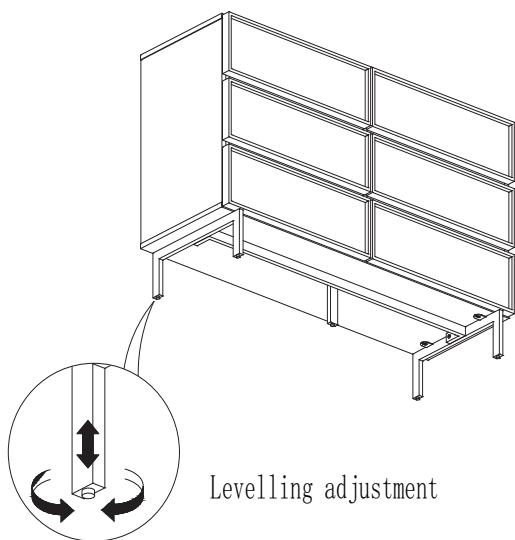
D   Ø12x10mm   24set	E   M4x14   36pcs	K   12"   6set	F   M4x30   24pcs



STEP 14:



STEP 15:



STEP 16:

	/	2set
--	---	------

