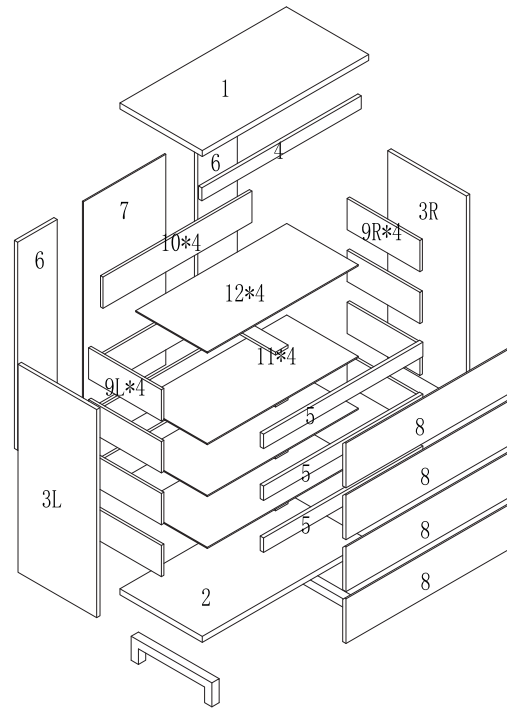
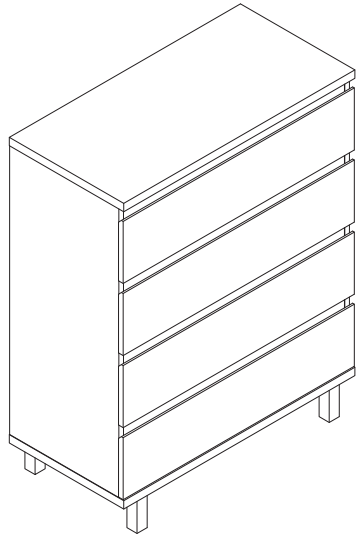


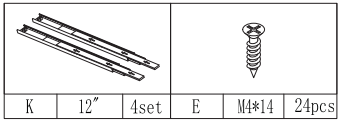
Assembly Instruction



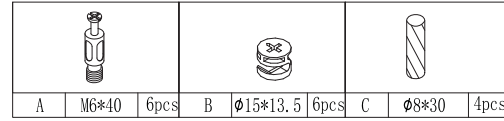
NO.	SIZE	QTY
1	800*396*25	1
2	800*396*25	1
3	866*378*16	2
4	766*54*16	1
5	766*60*16	3
6	866*190*16	2
7	876*396*5	1
8	800*186*16	4
9	350*130*12	8
10	716*130*12	4
11	334*60*12	4
12	726*344*5	4

A M6*40 29pcs	B $\phi 15*13.5$ 29pcs	C $\phi 8*30$ 24pcs
D $\phi 12*10mm$ 20set	E M4*14 48pcs	F M4*30 24pcs
K 12" 4set	G M6*25 4pcs	L H100 2pcs
	P / 2set	

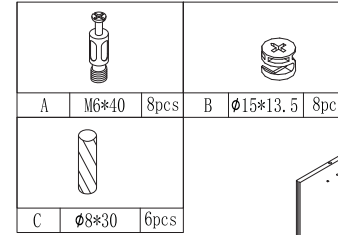
STEP 1:



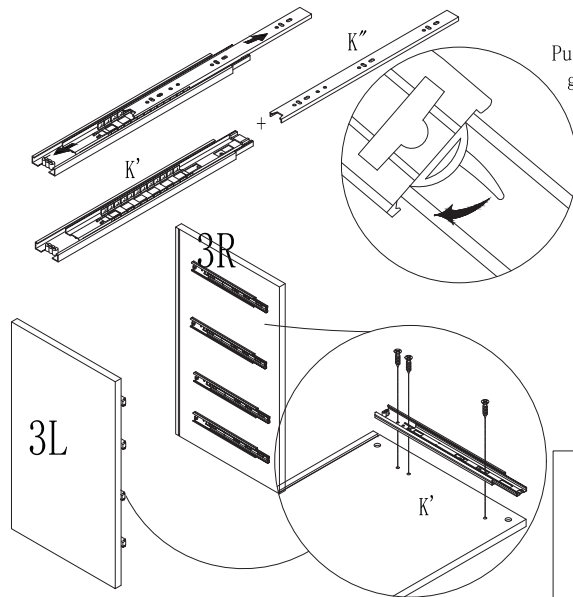
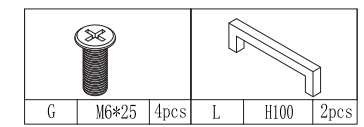
STEP 2:



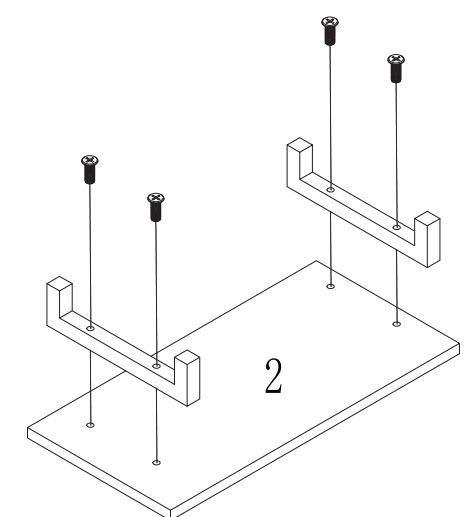
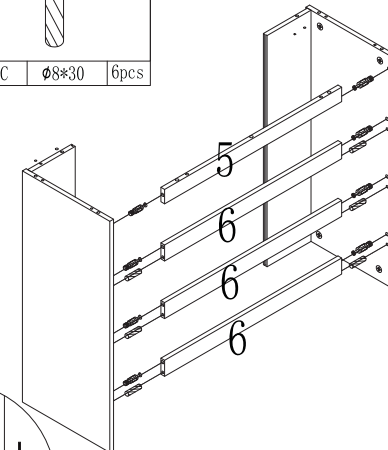
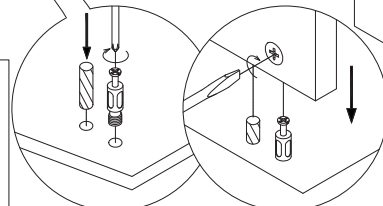
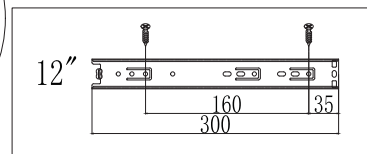
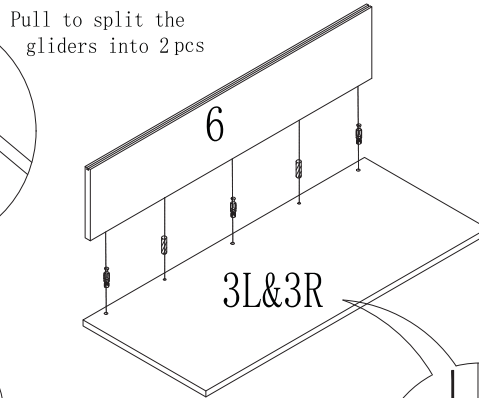
STEP 3:






STEP 4:

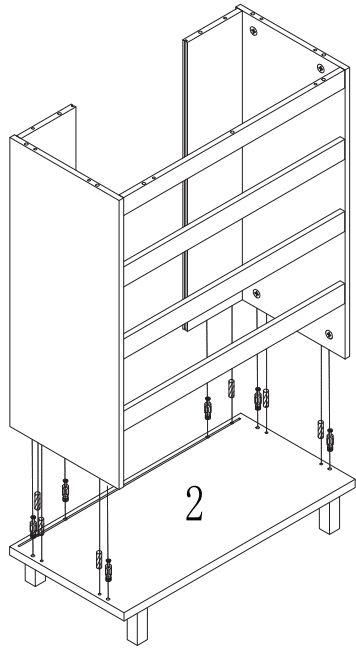


Pull to split the gliders into 2 pcs






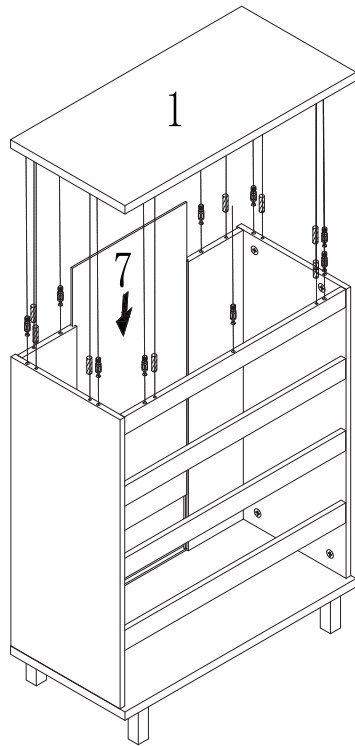
STEP 5:

	A	M6*40	6pcs
	B	∅15*13.5	6pcs
	C	∅8*30	6pcs

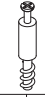





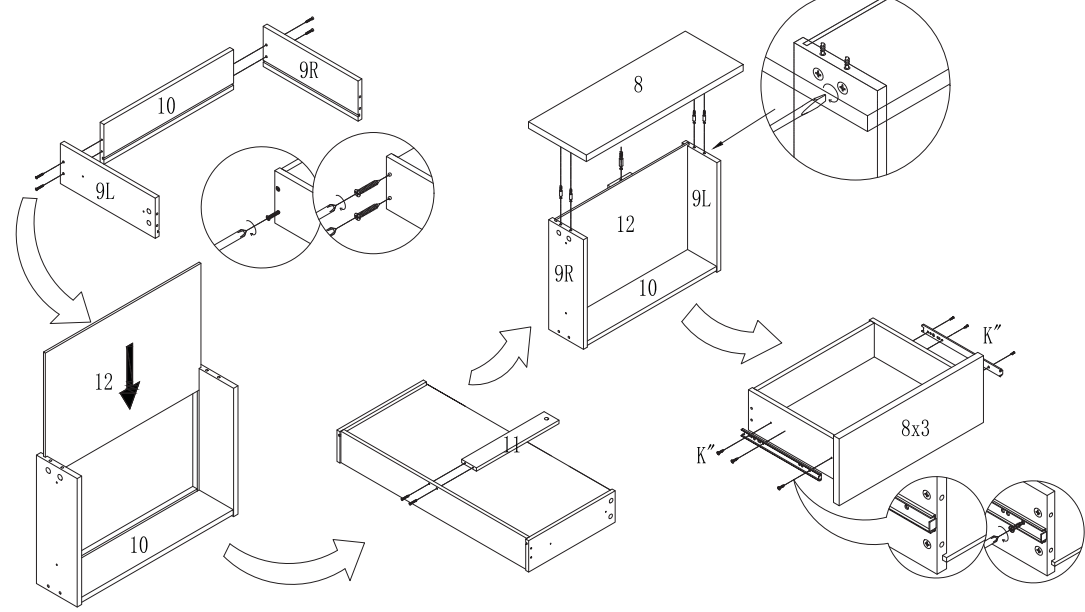
STEP 6:

	A	M6*40	9pcs
	B	∅15*13.5	9pcs
	C	∅8*30	8pcs

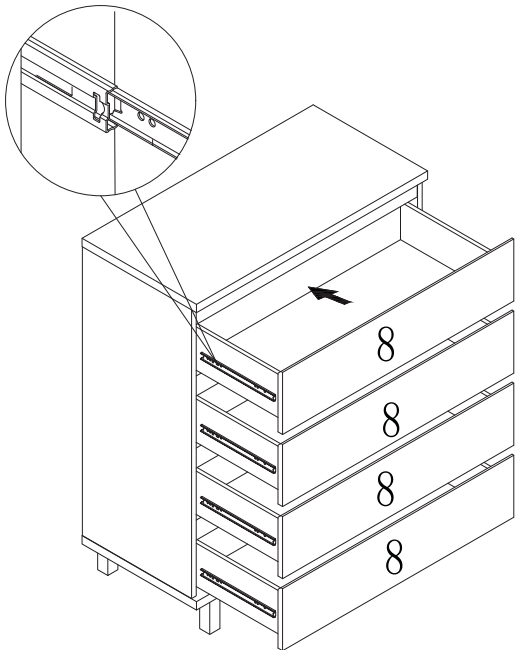


STEP 7:


	D	∅12*10	20set		E	M4*14	24pcs		F	M4*30	24pcs		K	12"	4set
--	---	--------	-------	--	---	-------	-------	--	---	-------	-------	--	---	-----	------

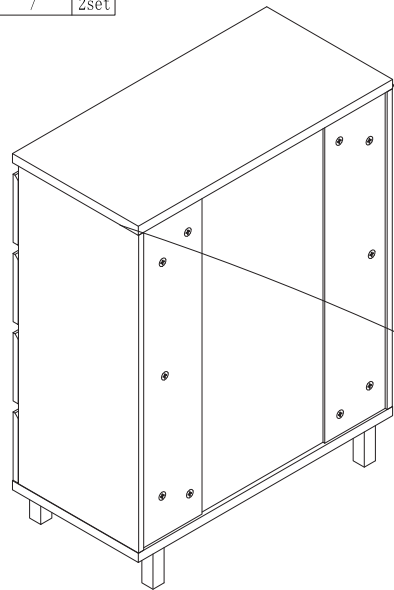


STEP 8:



STEP 9:

	P	/	2set
---	---	---	------



Wall fixing: You may need a different type of wall fixing. Please consult your furniture seller due to you may have a different type of wall.

