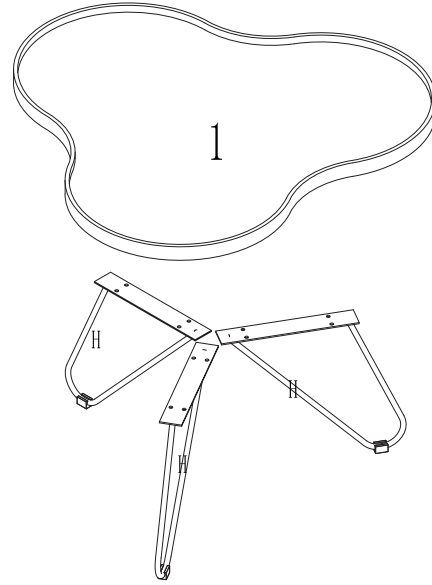
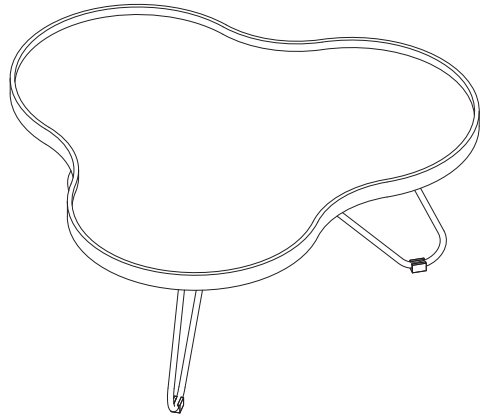


Assembly Instruction



NO.	SIZE	QTY
1	933*875*36	1

A	M6*12	12pcs

STEP 1:

A	M6*12	12pcs

