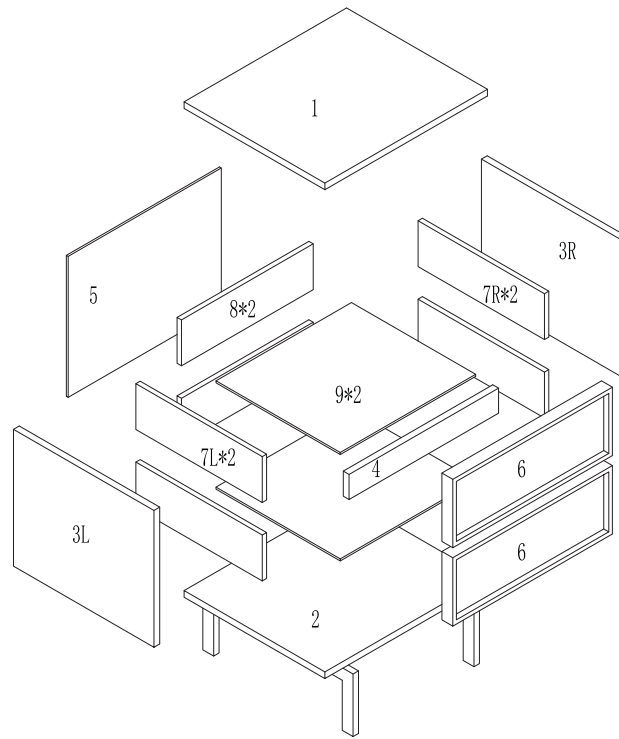
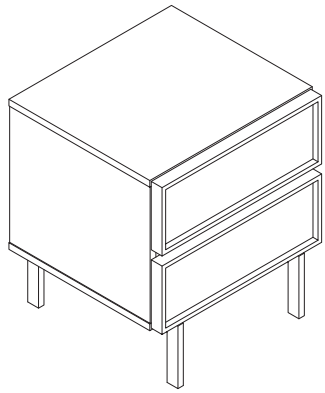


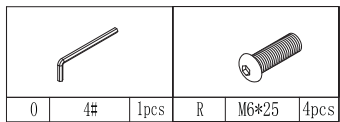
Assembly Instruction



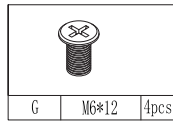
NO.	SIZE	QTY
1	450*390*16	1
2	450*390*16	1
3	328*389*16	2
4	414*60*16	1
5	424*338*5	1
6	442*164*32	2
7	350*110*12	4
8	365*110*12	2
9	375*344*5	2

A	M6*40	10pcs	B	φ15*13.5	10pcs
				black	
D	φ12*10mm	8set	E	M4*14	24pcs
G	M6*12	4pcs	O	4#	1pcs
				/	
K	12"	2set	N	/	4pcs

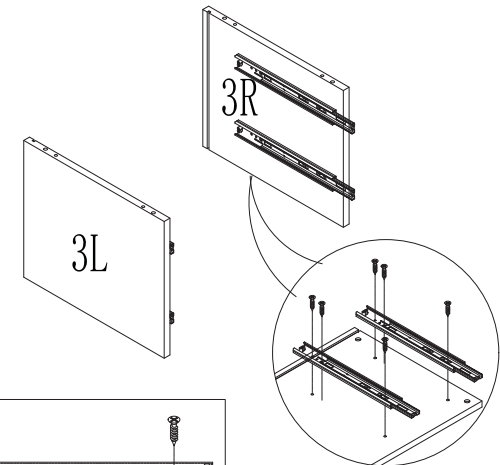
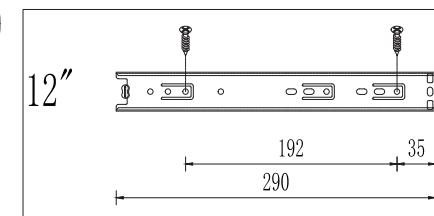
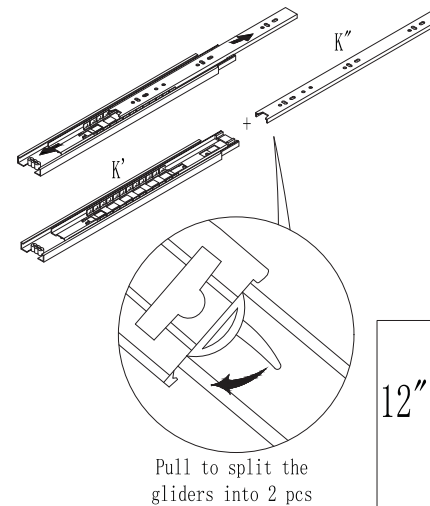
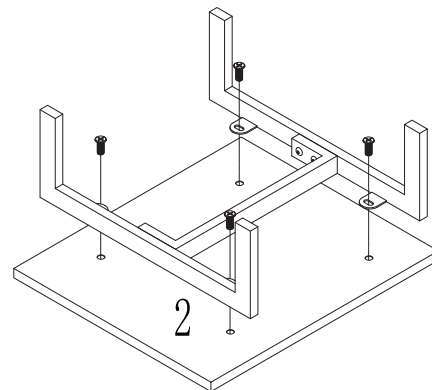
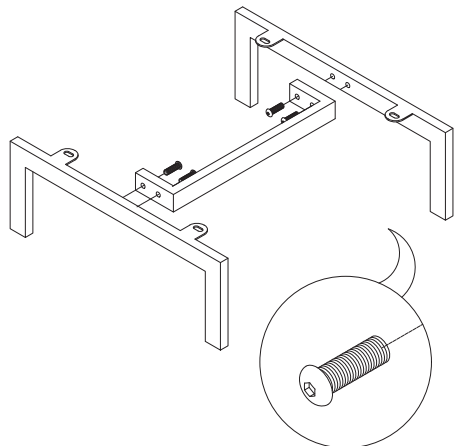
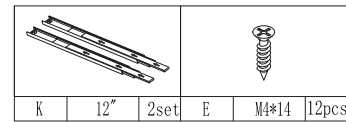
STEP 1:






STEP 2:

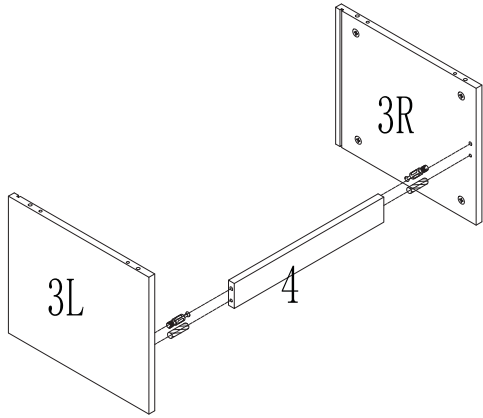


STEP 3:






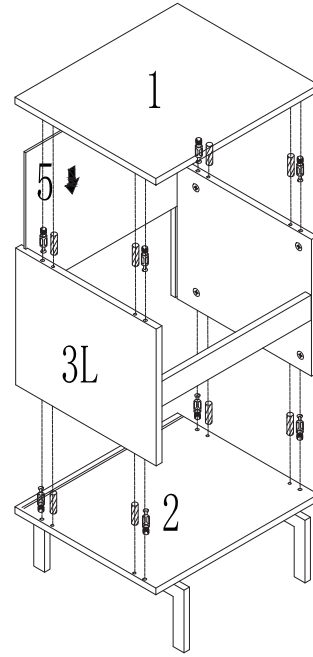
STEP 4:

		
A	M6*40	2pcs
B	φ 15*13.5	2pcs
C	φ8*30	2pcs








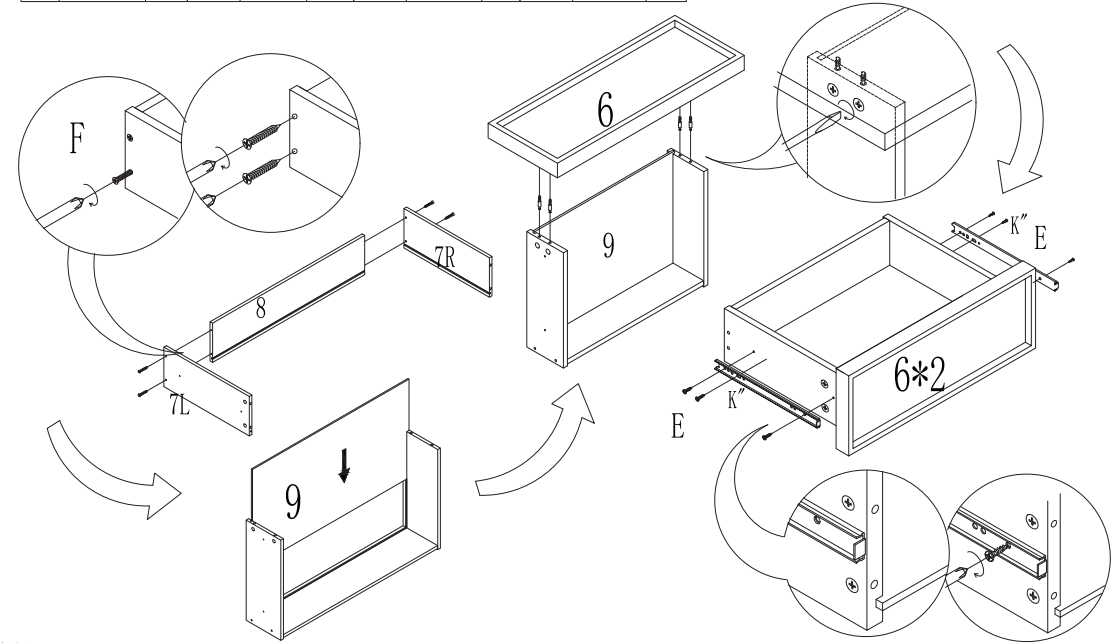
STEP 5:

		
A	M6*40	8pcs
B	φ 15*13.5	8pcs
C	φ8*30	8pcs

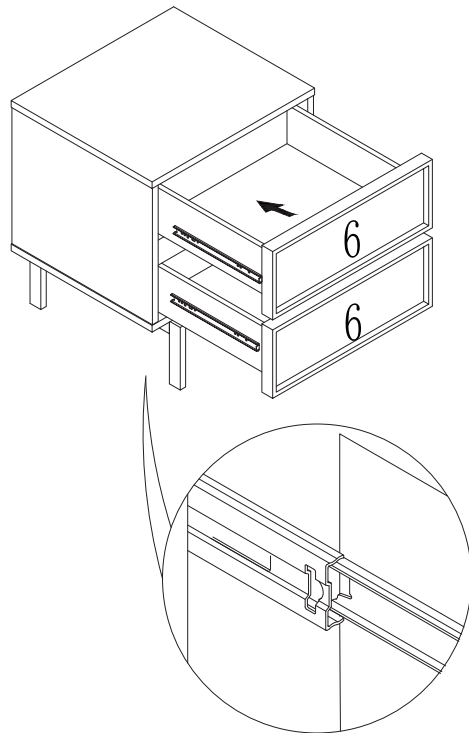


STEP 6:


											
D	φ12*10	8set	E	M4*14	12pcs	F	M4*30	8pcs	K	12"	2set



STEP 7:



STEP 8:

	N	/	4pcs
---	---	---	------

