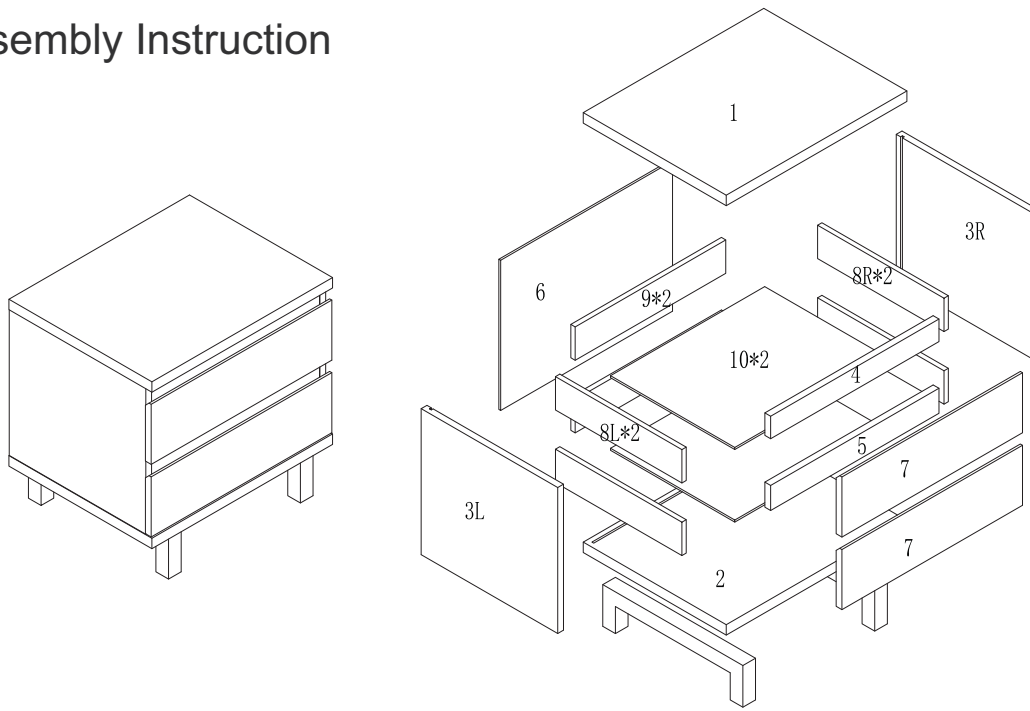


Assembly Instruction



NO.	SIZE	QTY
1	500*396*25	1
2	500*396*25	1
3	350*378*16	2
4	466*54*16	1
5	466*60*16	1
6	476*360*5	1
7	500*144*16	2
8	350*80*12	4
9	417*80*12	2
10	427*344*5	2

A M6*40 13pcs	B $\phi 15 \times 13.5$ 13pcs	C $\phi 8 \times 30$ 10pcs
D $\phi 12 \times 10$ mm 8set	E M4*14 24pcs	F M4*30 8pcs
K 12" 2set	G M6*25 4pcs	L H100 2pcs
N / 4pcs		

STEP 1:

K 12" 2set	E M4*14 12pcs

STEP 2:

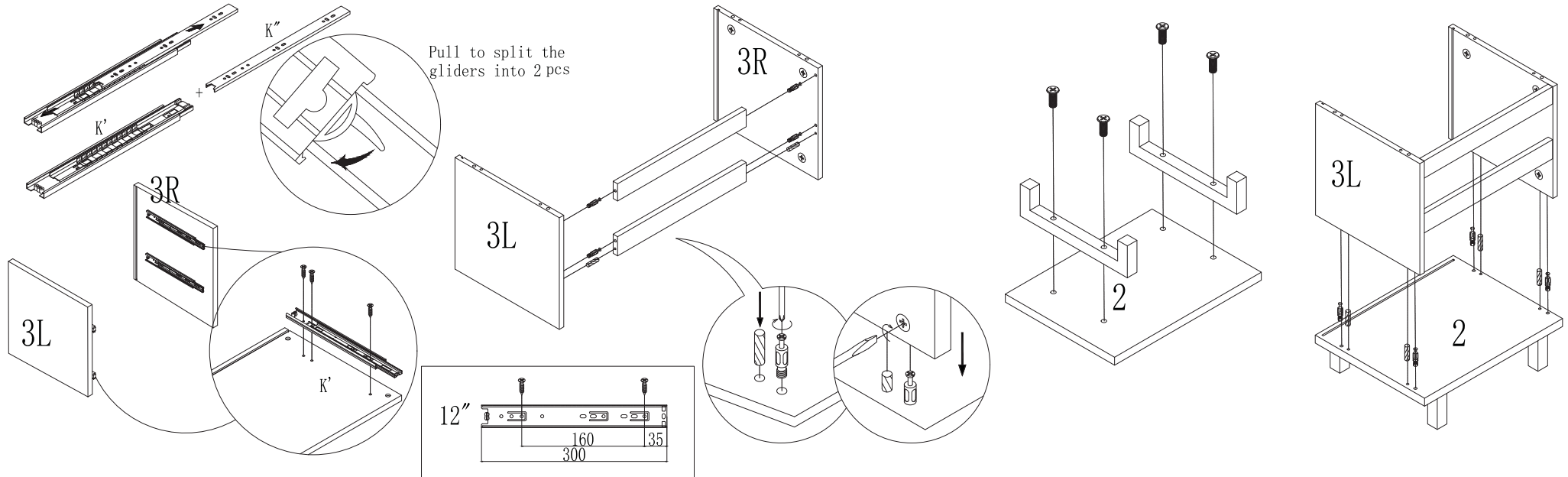
A M6*40 4pcs	B $\phi 15 \times 13.5$ 4pcs	C $\phi 8 \times 30$ 2pcs

STEP 3:




G M6*25 4pcs	L H100 2pcs

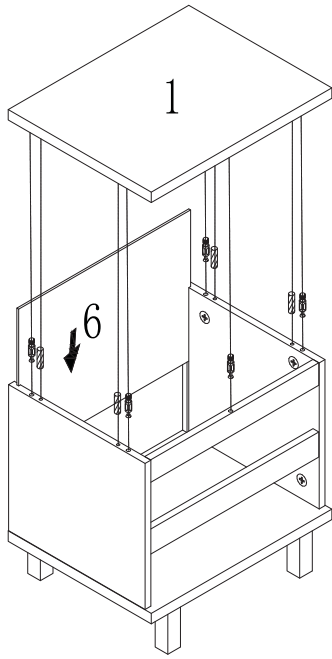
STEP 4:

A M6*40 4pcs	B $\phi 15 \times 13.5$ 4pcs	C $\phi 8 \times 30$ 4pcs



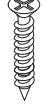
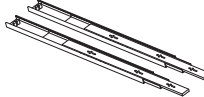


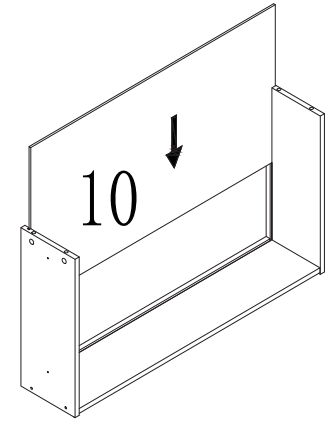
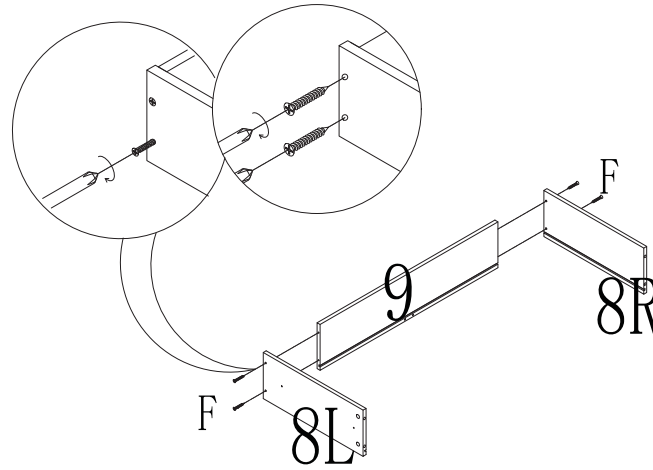
STEP 5:

		
A	M6*40	5pcs
		
B	∅15*13.5	5pcs
		
C	∅8*30	4pcs

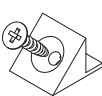


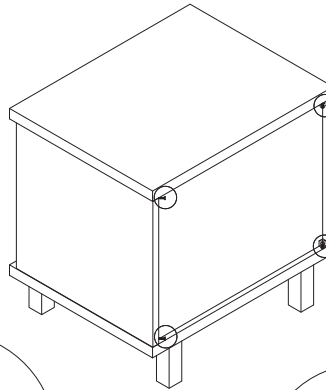
STEP 6:

											
D	∅12*10	8set	E	M4*14	12pcs	F	M4*30	8pcs	K	12"	2set



STEP 7:

		
N	/	4pcs



STEP 8:

