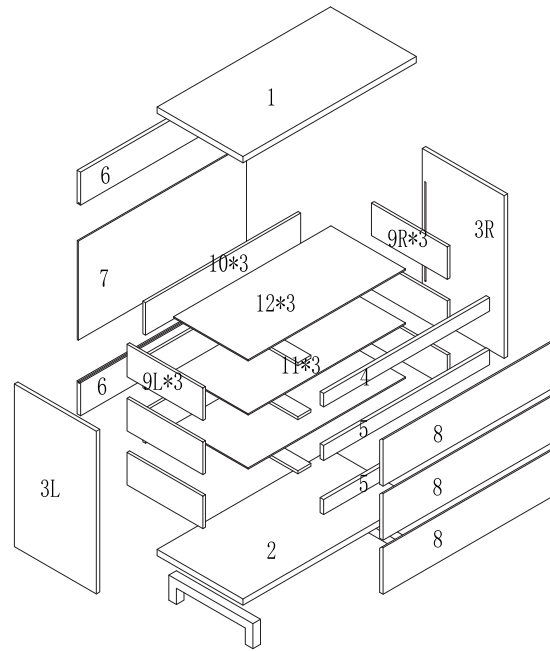
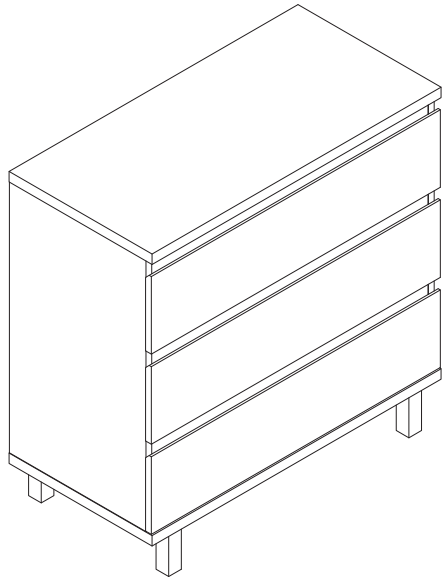


Assembly Instruction



NO.	SIZE	QTY
1	800*396*25	1
2	800*396*25	1
3	650*378*16	2
4	766*54*16	1
5	766*60*16	2
6	766*131*16	2
7	776*396*5	1
8	800*186*16	3
9	350*130*12	6
10	716*130*12	3
11	334*60*12	3
12	726*344*5	3

A M6*40 27pcs	B $\phi 15 \times 13.5$ 27pcs	C $\phi 8 \times 30$ 22pcs
D $\phi 12 \times 10\text{mm}$ 15set	E M4*14 36pcs	F M4*30 18pcs
K 12" 3set	G M6*25 4pcs	L H100 2pcs
P / 2set		

STEP 1:

K 12" 3set	E M4*14 18pcs

STEP 2:

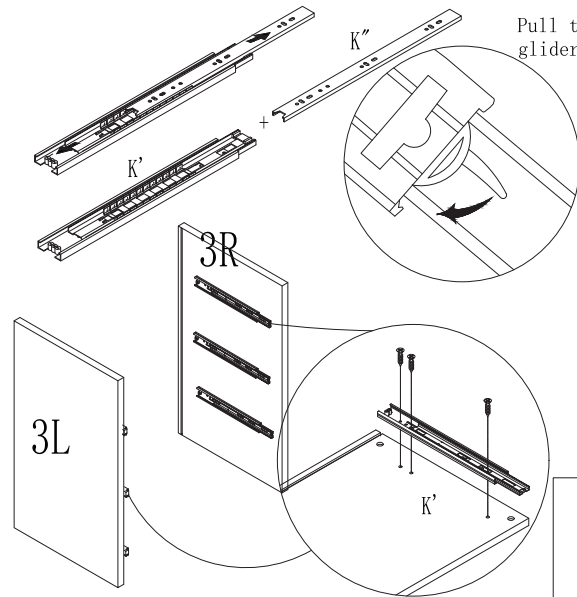
A M6*40 5pcs	B $\phi 15 \times 13.5$ 5pcs	C $\phi 8 \times 30$ 4pcs

STEP 3:

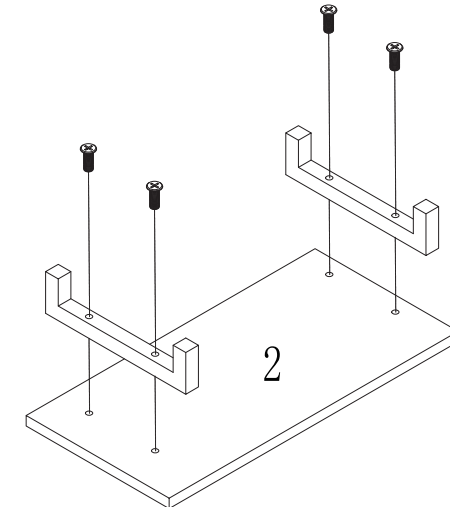
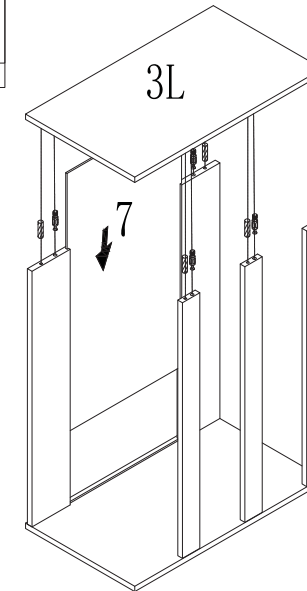
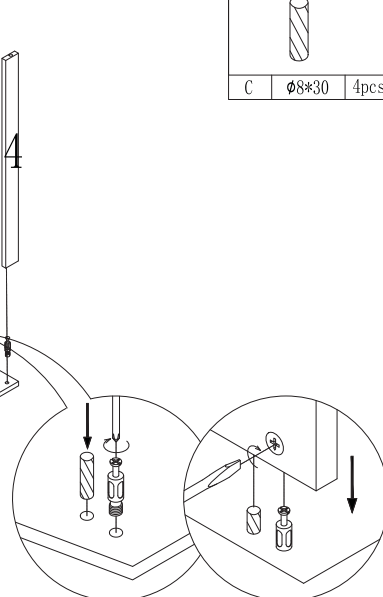
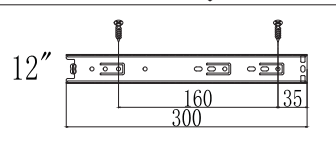
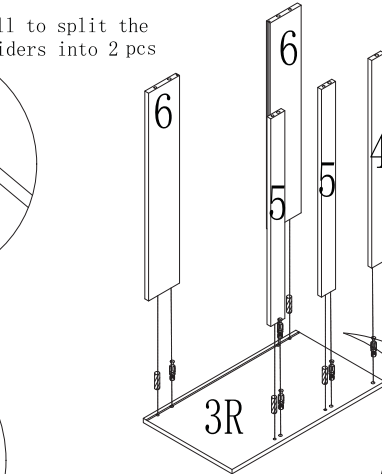
A M6*40 5pcs	B $\phi 15 \times 13.5$ 5pcs
C $\phi 8 \times 30$ 4pcs	

STEP 4:




G M6*25 4pcs	L H100 2pcs

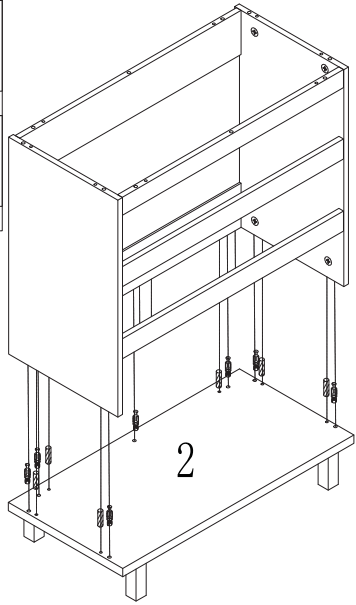


Pull to split the gliders into 2 pcs






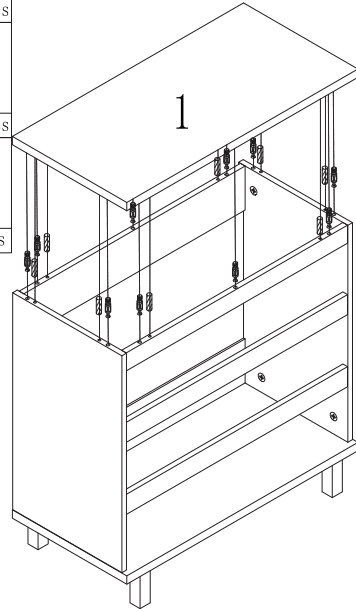
STEP 5:

	A	M6*40	7pcs
	B	∅15*13.5	7pcs
	C	∅8*30	6pcs







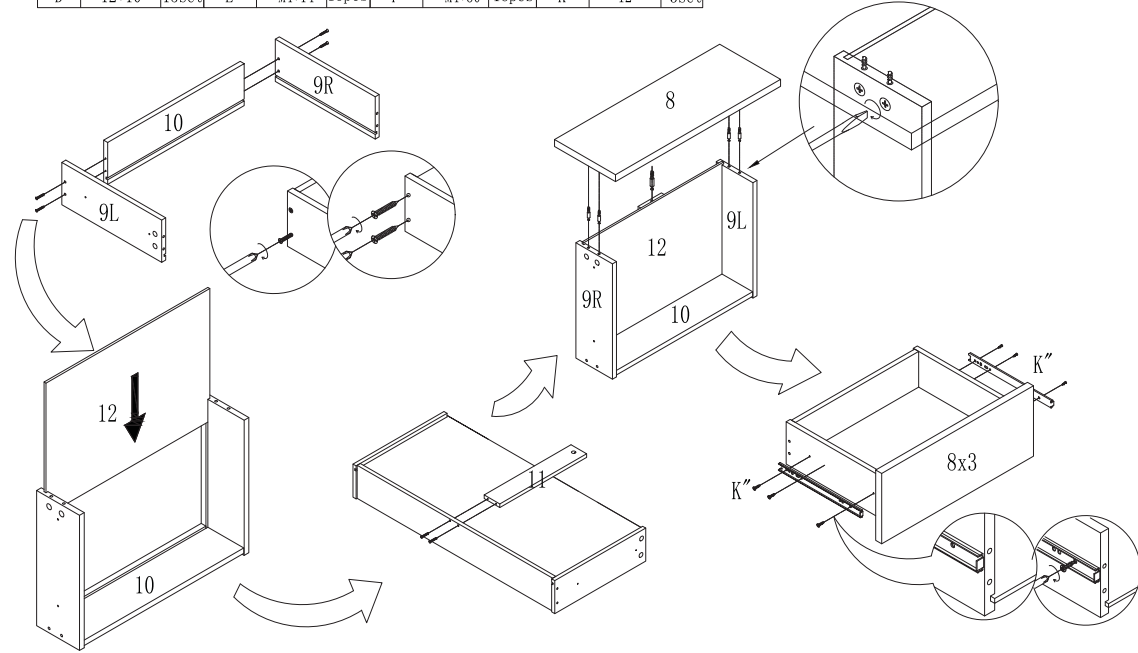
STEP 6:

	A	M6*40	10pcs
	B	∅15*13.5	10pcs
	C	∅8*30	8pcs

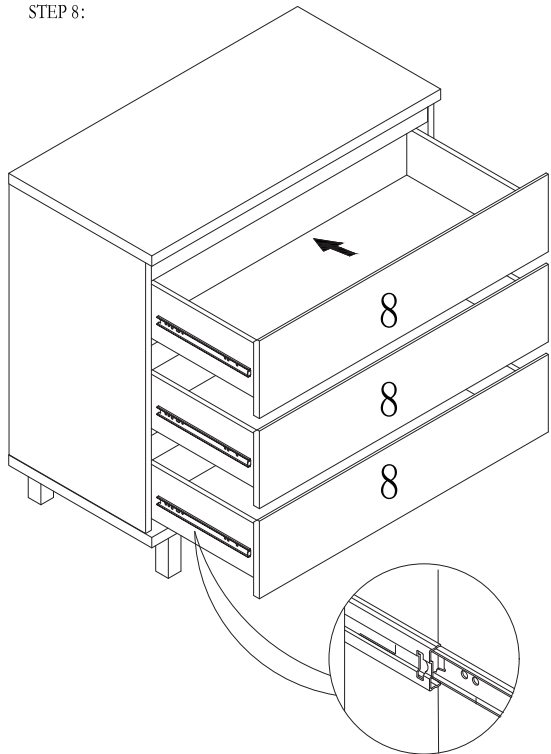


STEP 7:


	D	∅12*10	15set		E	M4*14	18pcs		F	M4*30	18pcs		K	12"	3set
--	---	--------	-------	--	---	-------	-------	--	---	-------	-------	--	---	-----	------

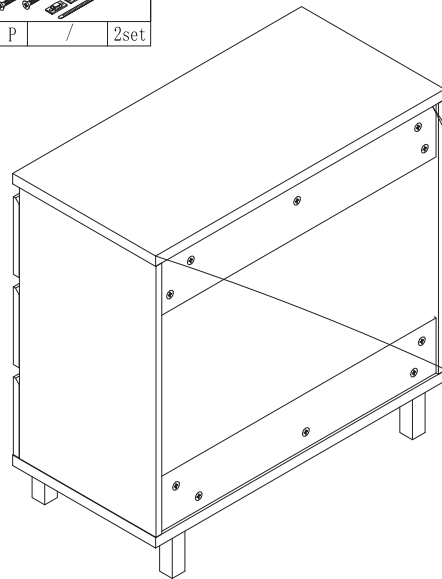


STEP 8:



STEP 9:

	P	/	2set
---	---	---	------



Wall fixing: You may need a different type of wall fixing, Please consult your furniture seller due to you may have a different type of wall.

