

Assembly Instructions

Product Name: Solid Wood Luxembourg Dressing Mirror Cabinet

Step 1: Drill holes into the wall where you want to mount the dressing mirror cabinet.

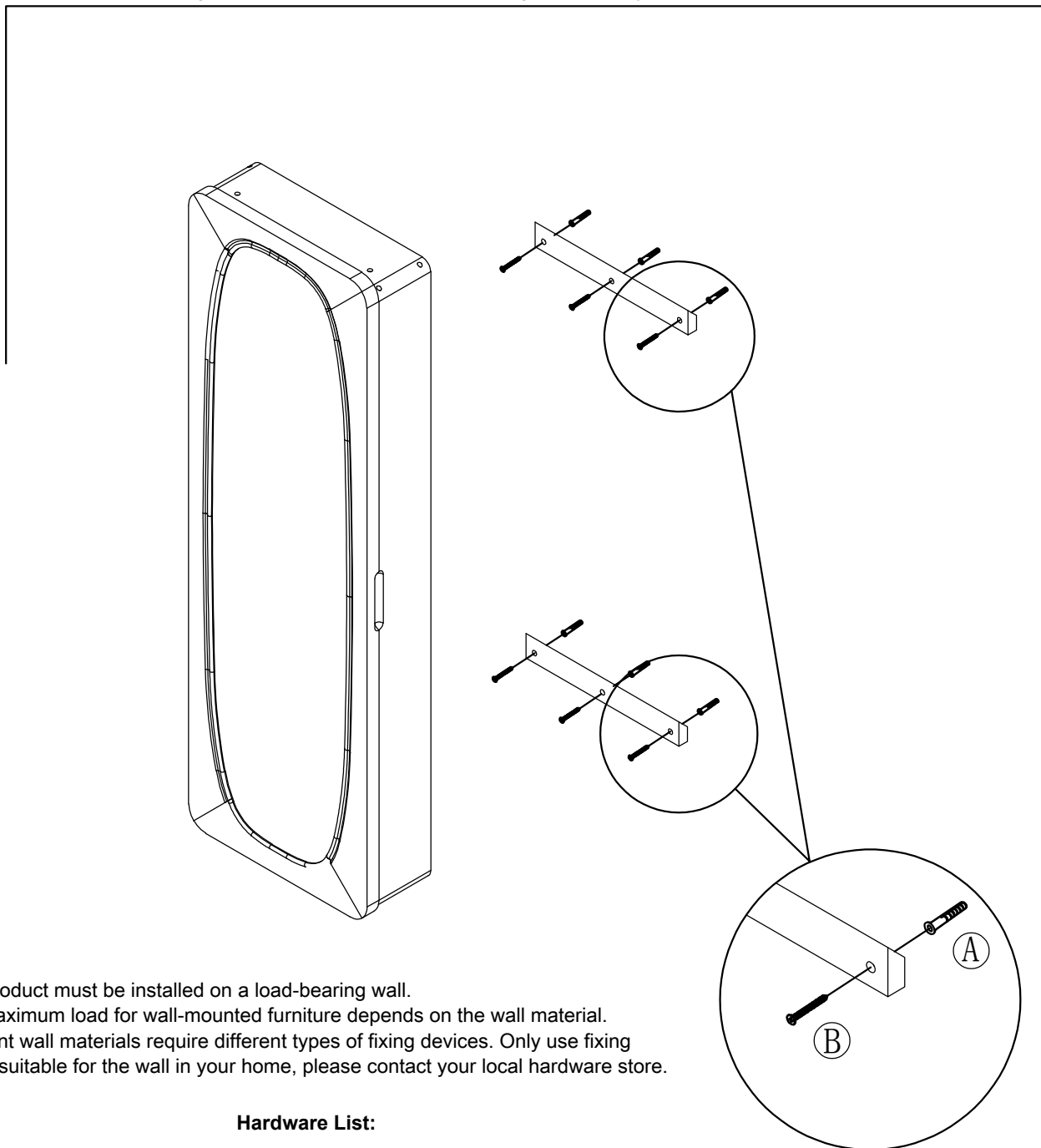
Step 2: Insert the plastic expansion plugs (A) into the drilled holes.

Step 3: Place the hanging strips on the wall, aligning them with the expansion plugs.

Step 4: Insert the self-tapping screws (B) through the hanging strips and into the expansion plugs.

Step 5: Tighten the screws using a screwdriver until the hanging strips are securely attached to the wall.

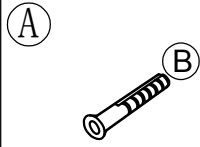
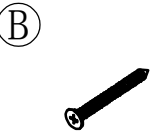
Step 6: Hang the cabinet onto the strips, ensuring it is securely in place.



Note:

- * This product must be installed on a load-bearing wall.
- * The maximum load for wall-mounted furniture depends on the wall material.
- * Different wall materials require different types of fixing devices. Only use fixing devices suitable for the wall in your home, please contact your local hardware store.

Hardware List:

	
Plastic Expansion Plugs (80mm) - 6	Self-Tapping Screws (80mm) - 6