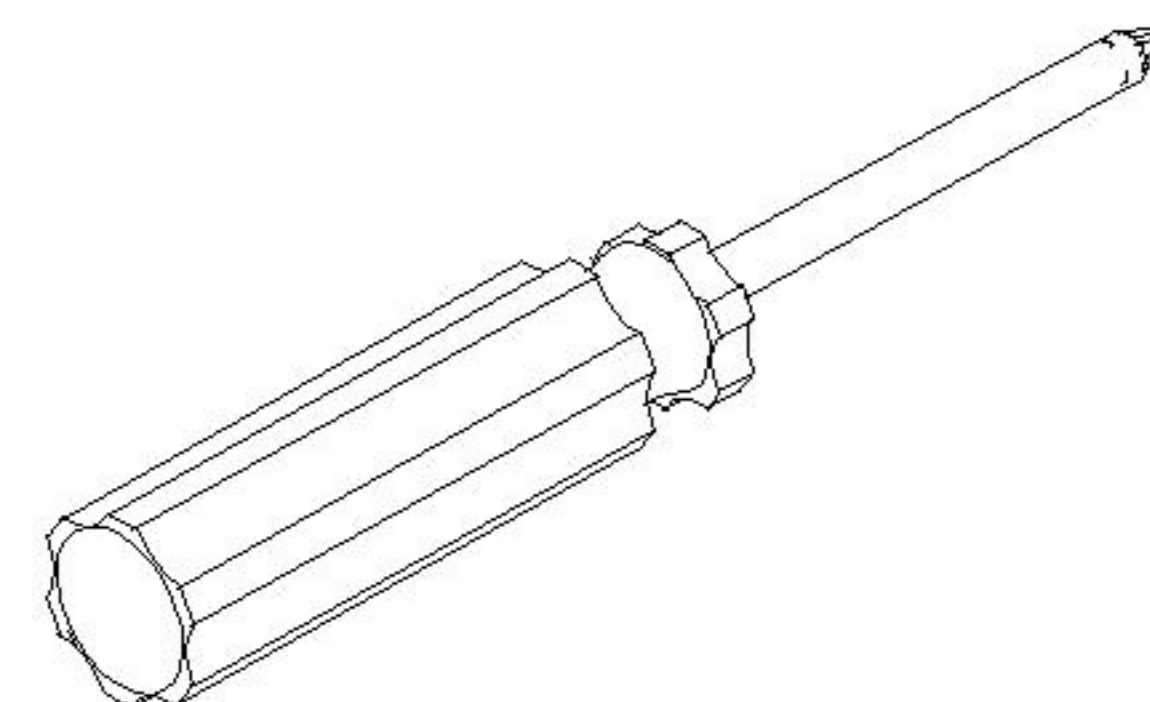
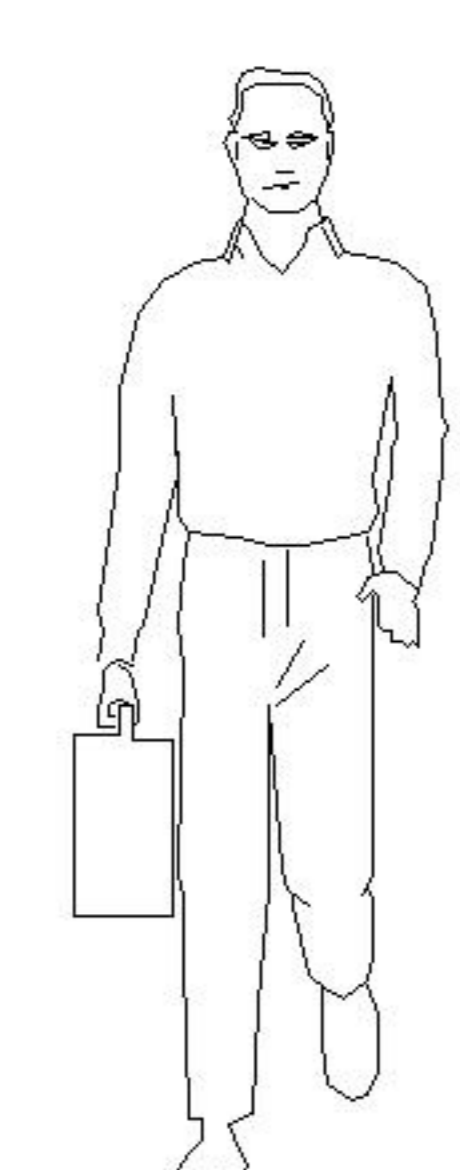
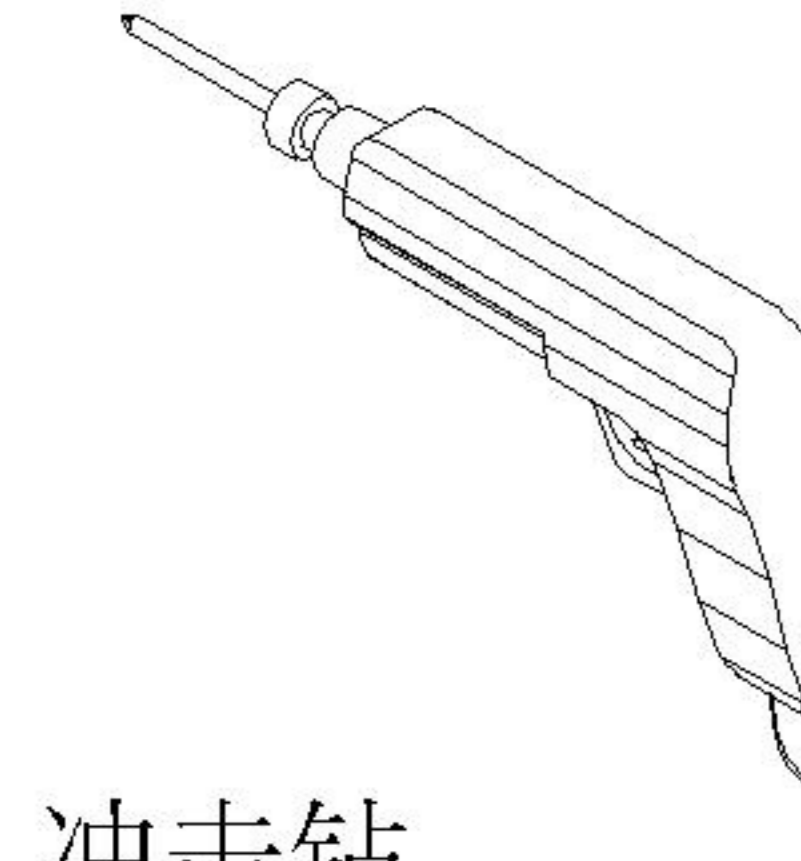
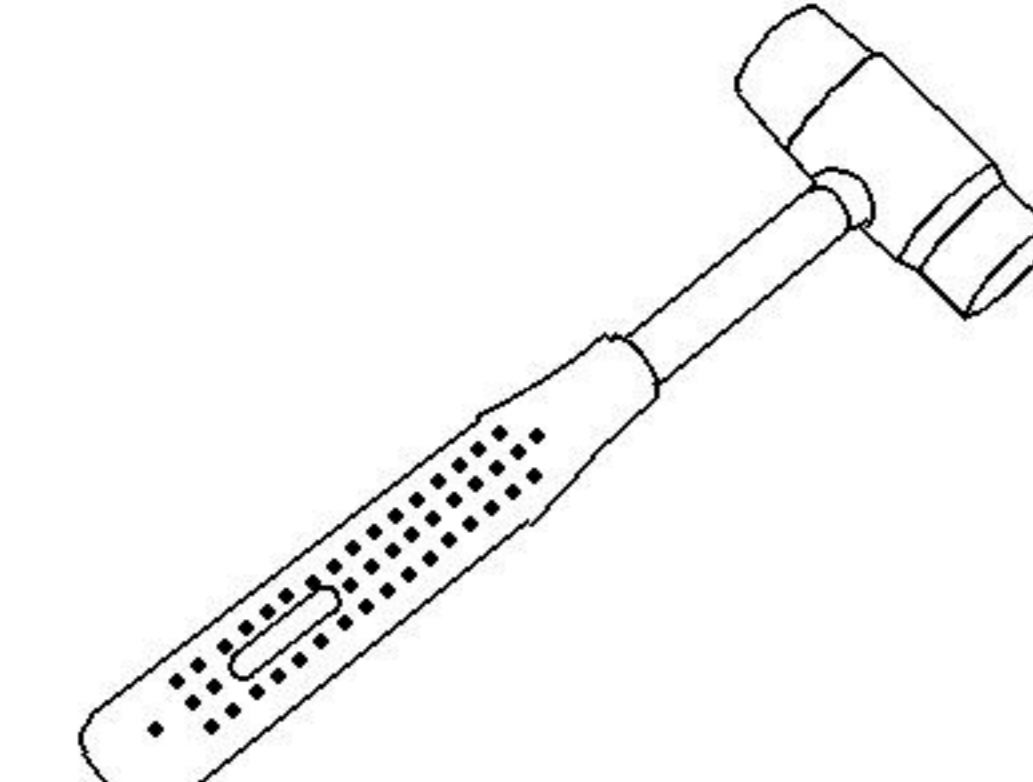


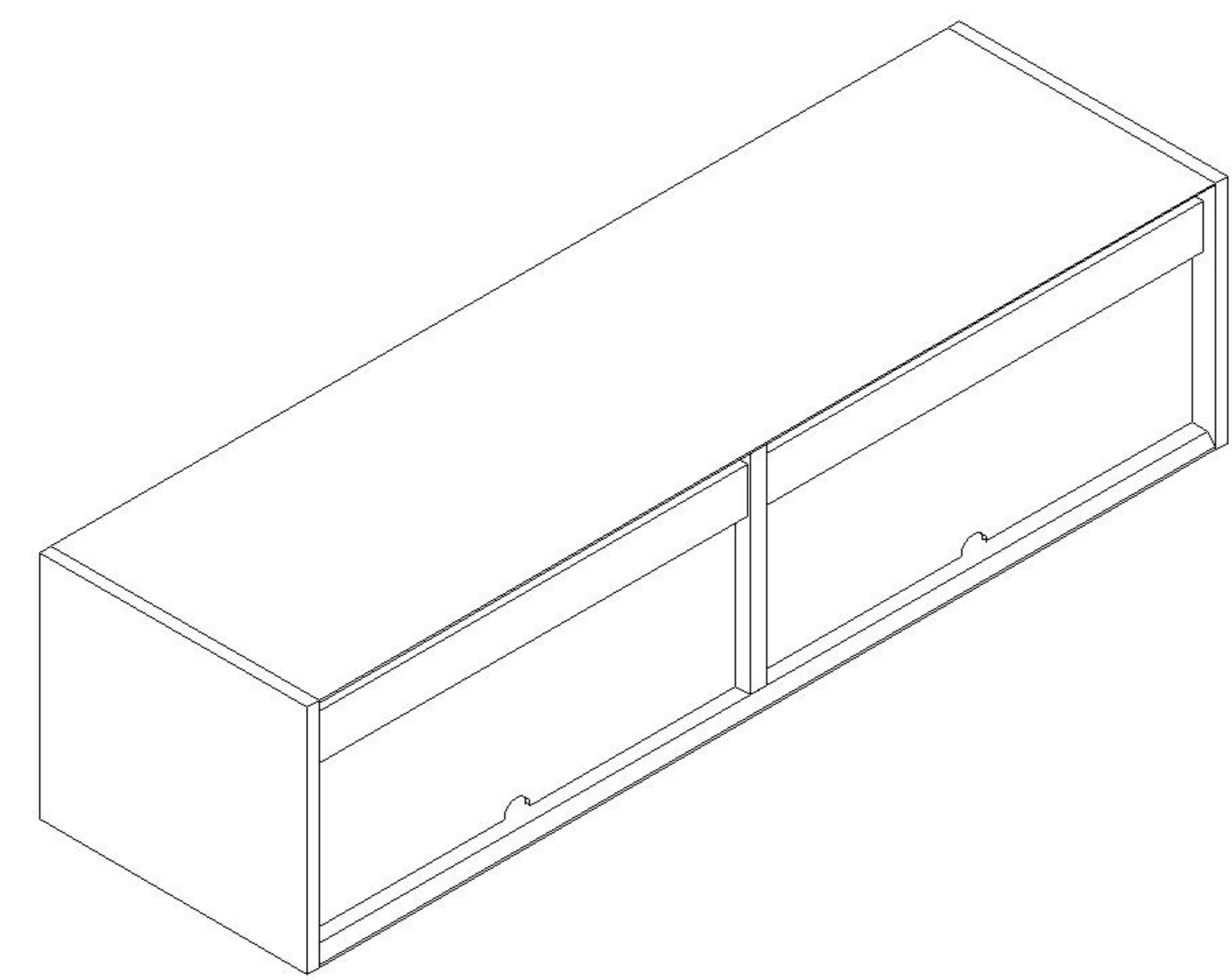
# LINSY 林氏家居

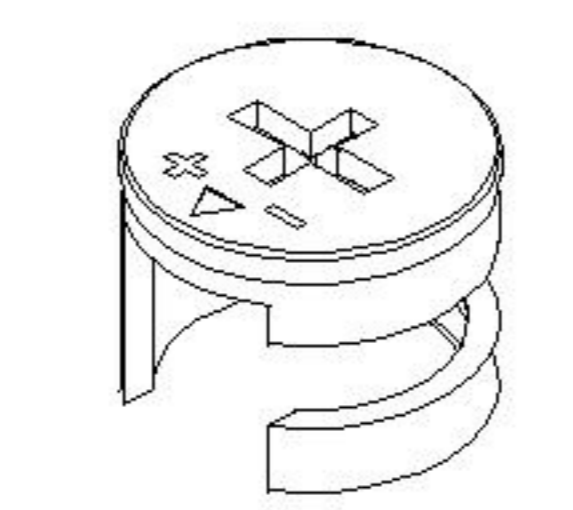
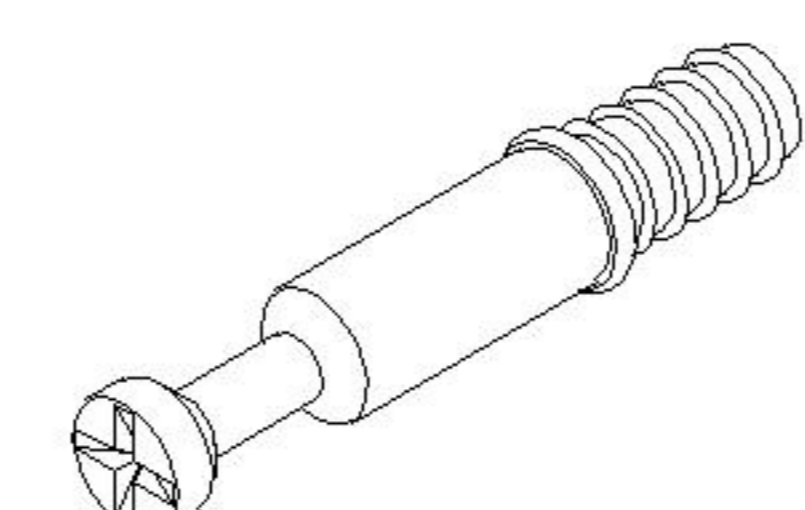
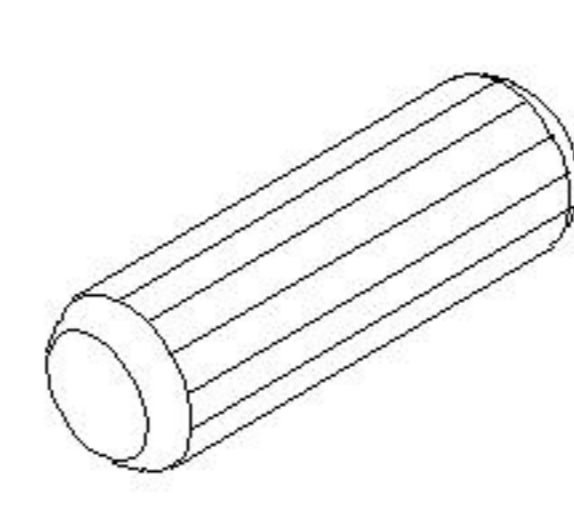
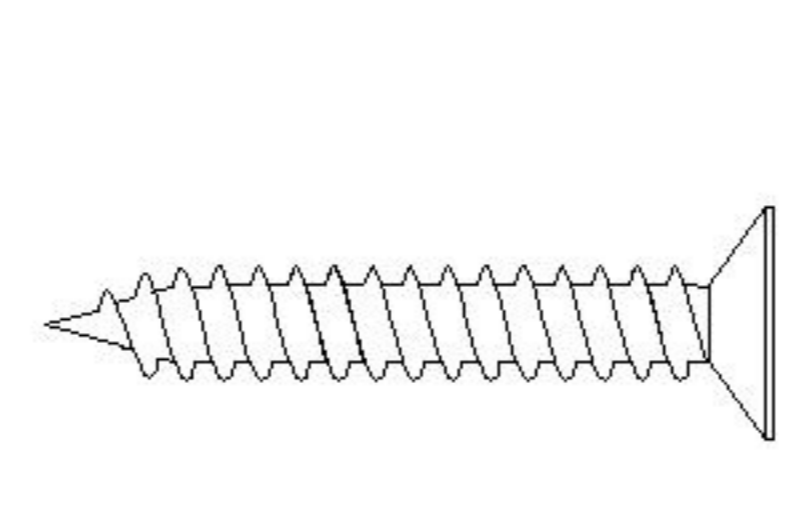
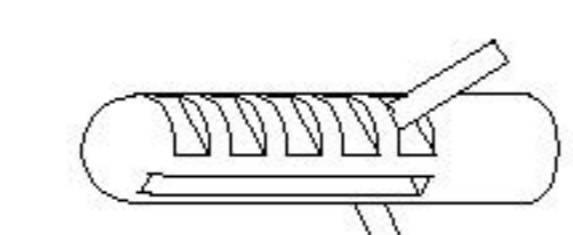
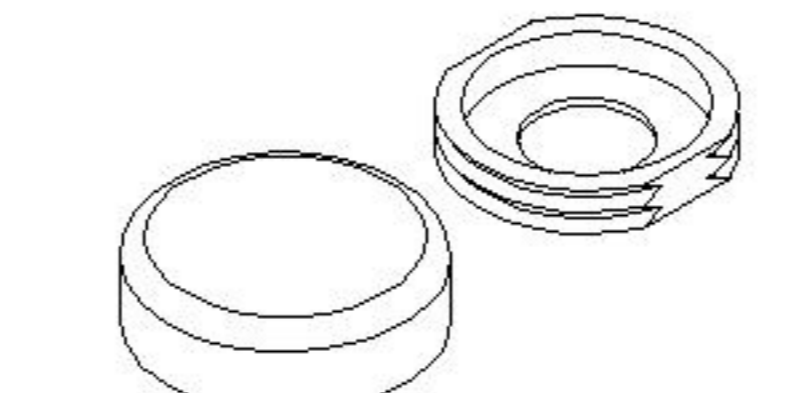
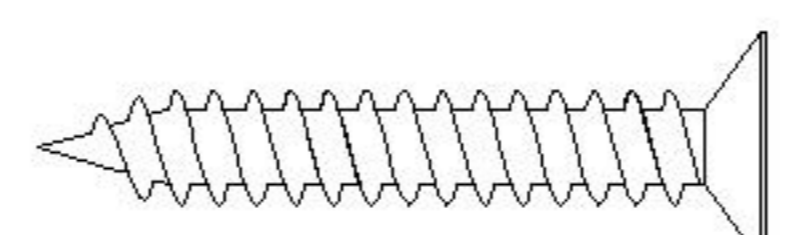
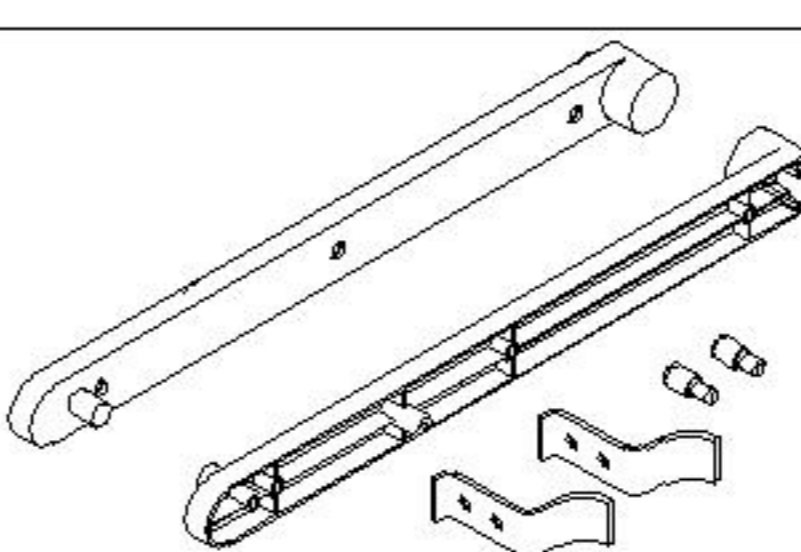
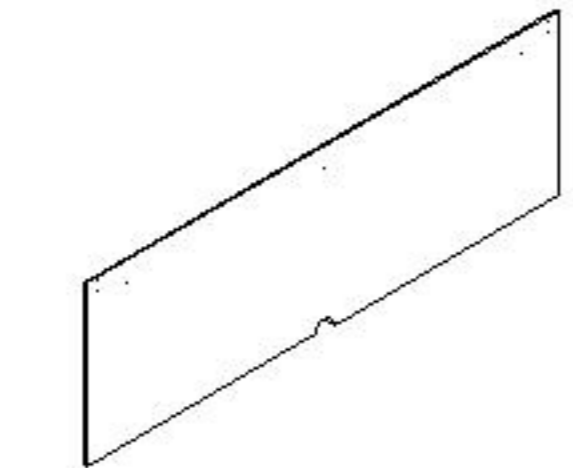
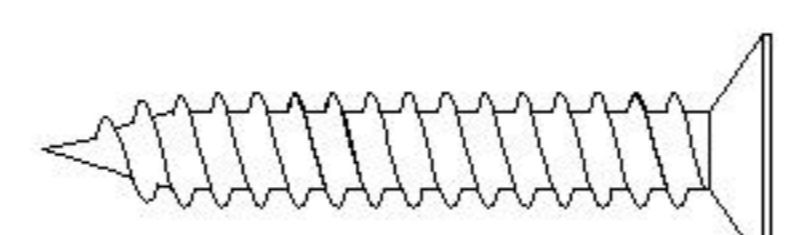
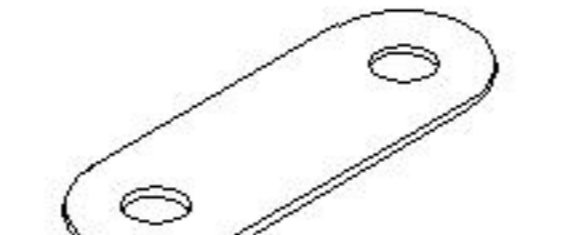
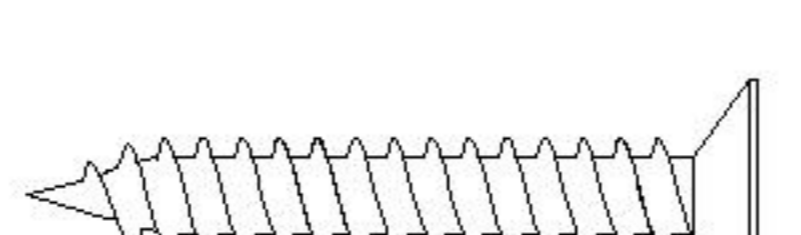
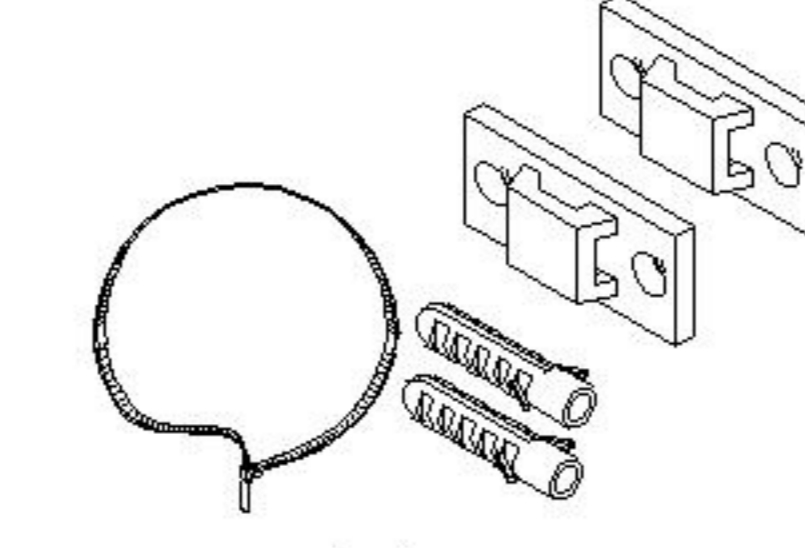
## 五金表/Hardware list

## 部件表/Parts List

### 安装示意图/Assembly Instruction

产品名称 Model NO.	TV2G-A 1.2m
产品规格 Specification	1193*348*300mm
安装工具 Tool	安装人数 Installer
	
	
冲击钻 Percussion drill	胶锤 Rubber hammer

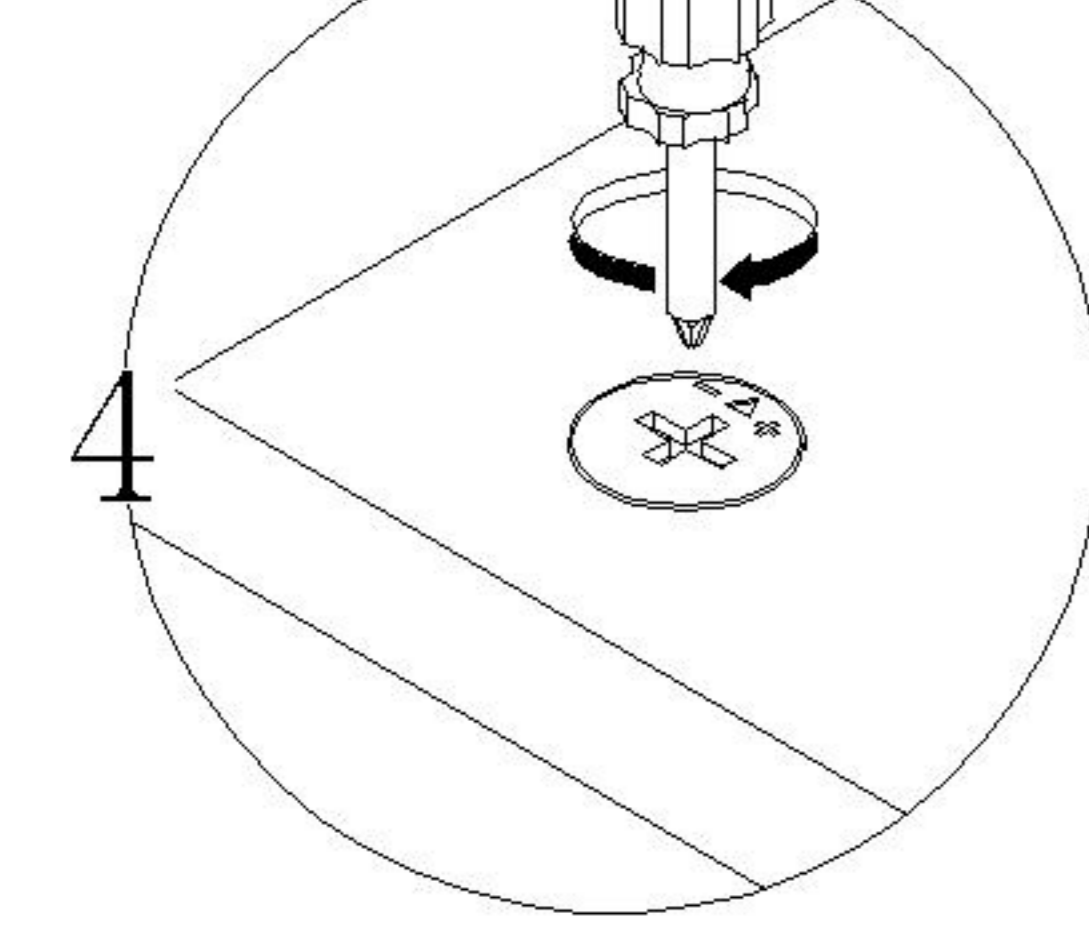
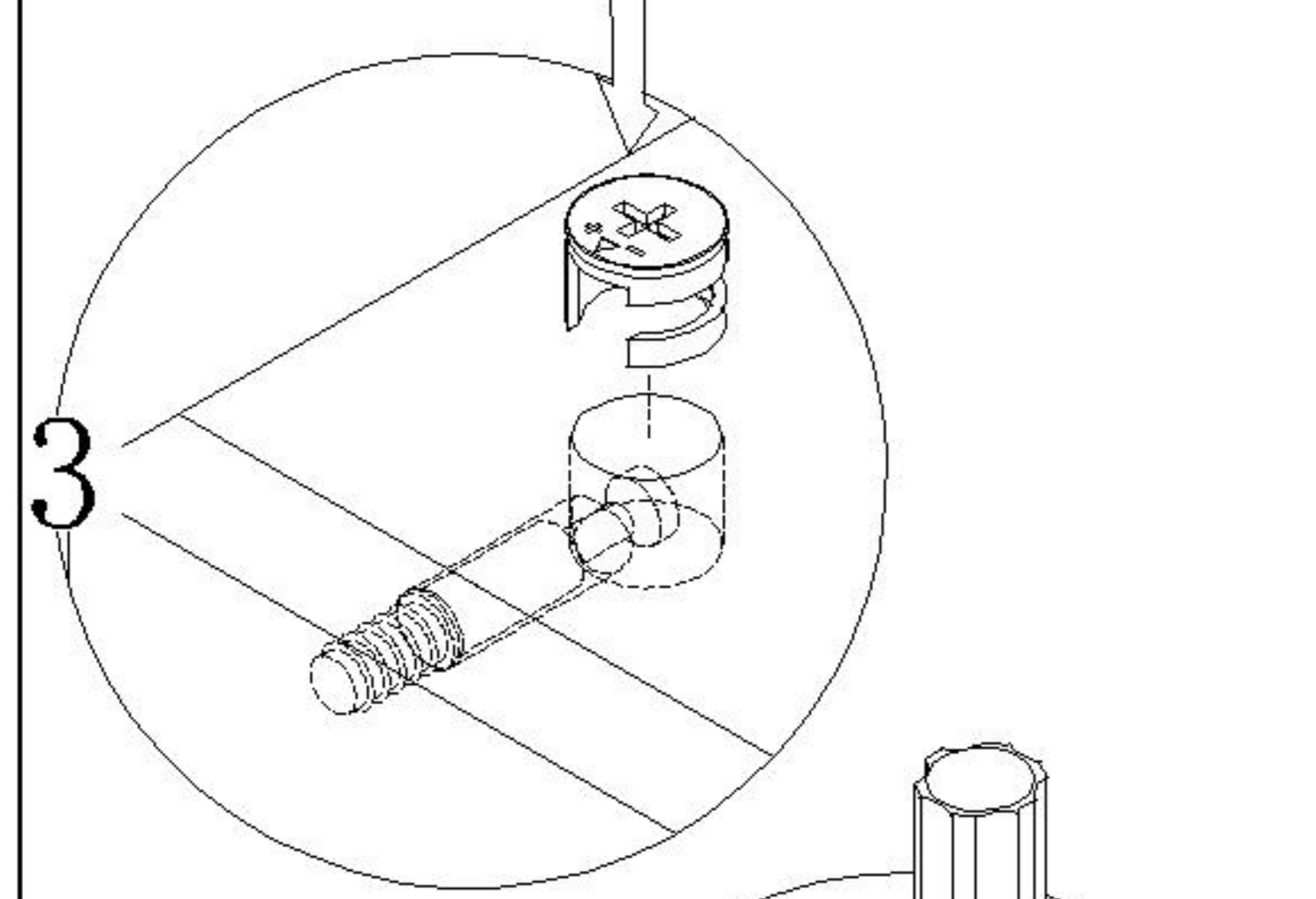
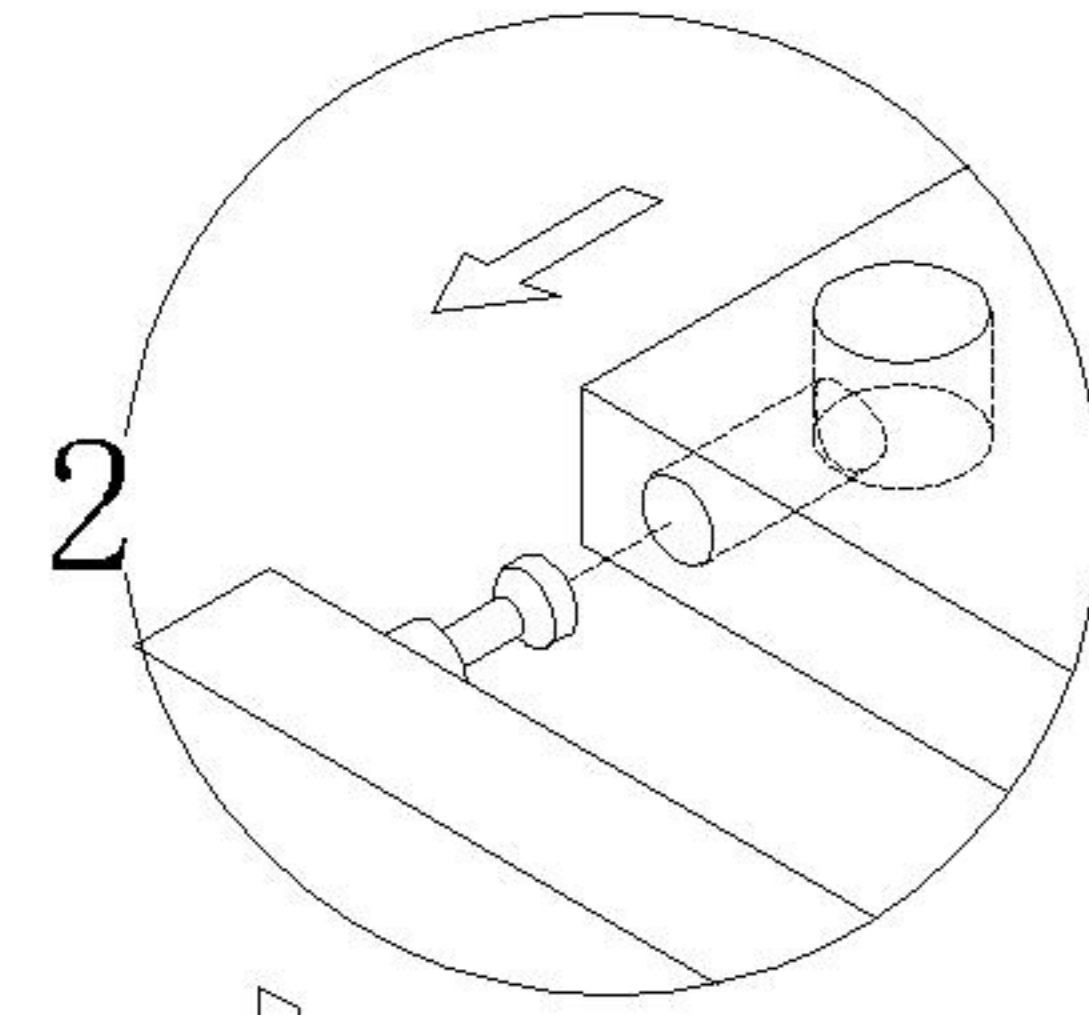
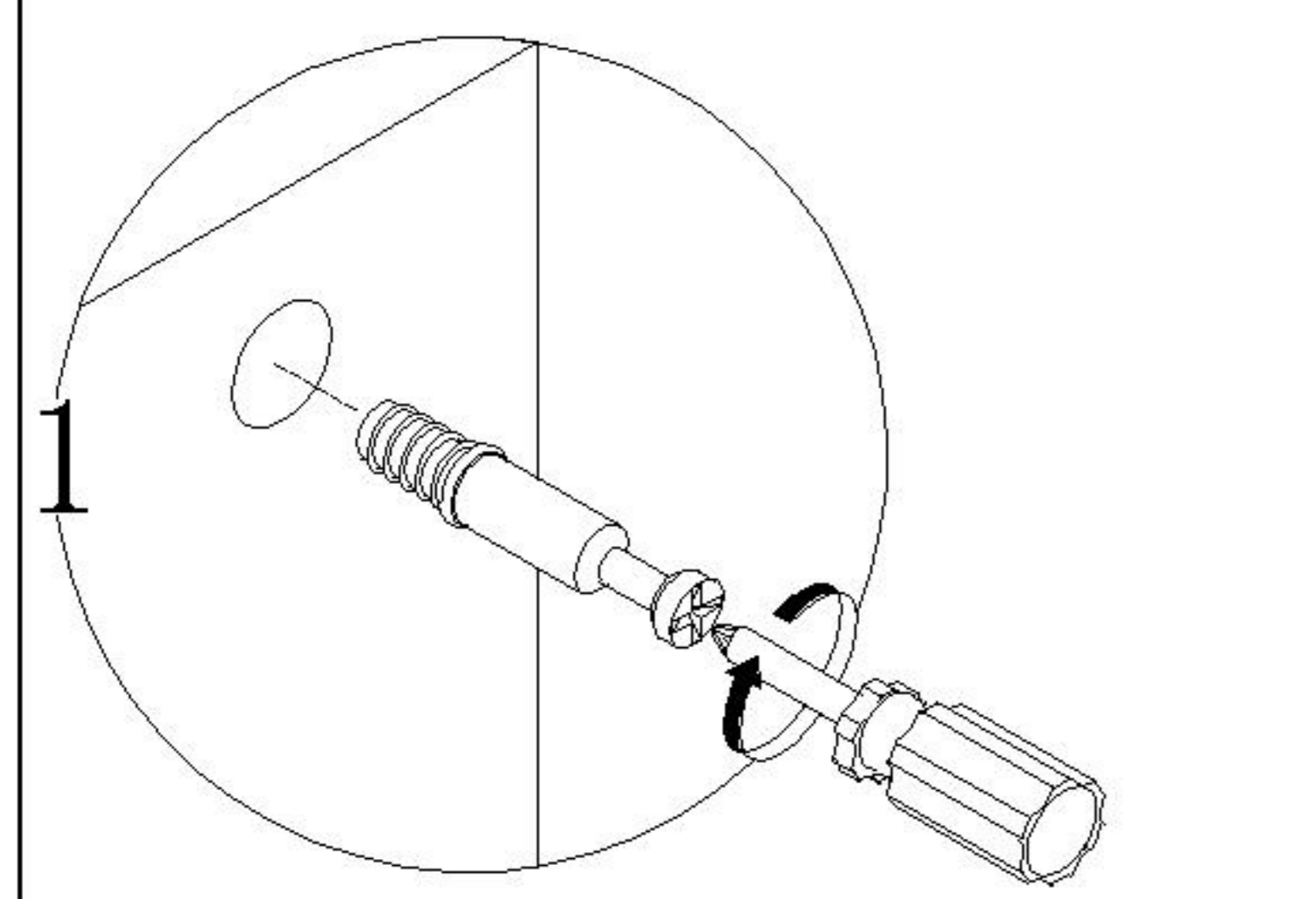


 (A)* 21 大三合一锁饼(15mm) Three-in-one large lock	 (B)* 21 二合一螺杆(35mm) 2-in-1-screw	 (C)* 13 木榫Ø8x30mm wood tenon	 (D)* 6 自攻螺丝M4x25mm Self-tapping screw
 (E)* 4 膨胀胶粒 Expanded colloidal particle	 (F)* 6 镜钉 Mirror nail	 (G)* 27 自攻螺丝M4x20mm Self-tapping screw	 (H)* 2 隐藏两节导轨 Hide two guide rails
 (I)* 2 门板亚克力 Door panel acrylic	 (J)* 4 自攻螺丝M4x40mm Self-tapping screw	 (K)* 2 连接铁片 Connecting iron sheet	 (L)* 4 自攻螺丝M3.5x12mm Self-tapping screw
 (M)* 1 家具防倒器-白色 Anti-fall device			

编号NO.	名称Name	规格 (mm) Specification	数量QTY	材质Material
①	面底板Bottom board	1163*348*15	2	三胺板Melamine
②	背板Back board	1163*270*15	1	三胺板Melamine
③	右侧板Side board(R)	348*300*15	1	三胺板Melamine
④	左侧板Side board(L)	348*300*15	1	三胺板Melamine
⑤	中侧板Middle side board	305*270*21	1	三胺板Melamine
⑥	饰条Decorative strip	567*58*15	2	三胺板Melamine
⑦	挂条Hanging board	1160*58*15	2	三胺板Melamine

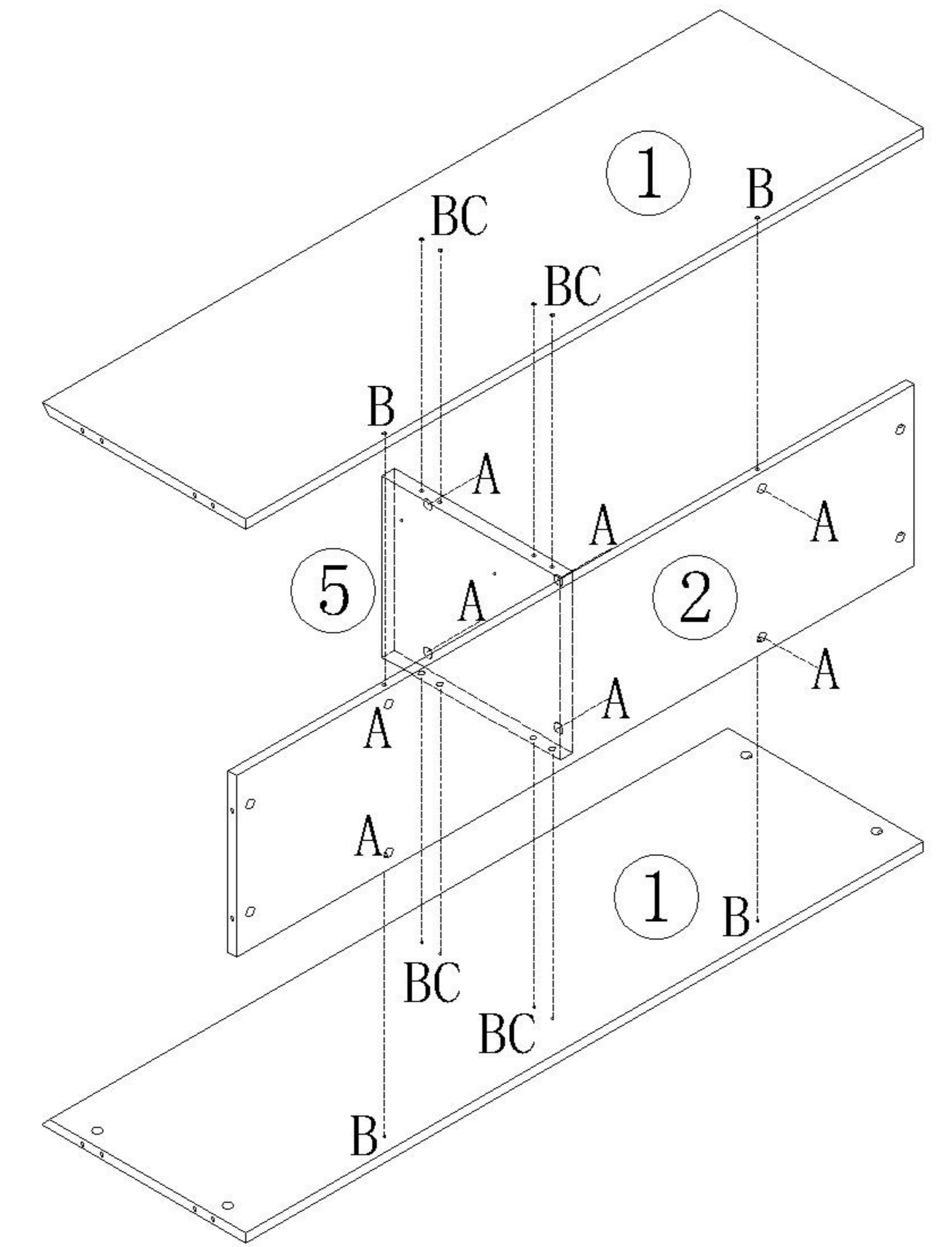
TV2G-A 1.2m

安装方法/  
Installation method



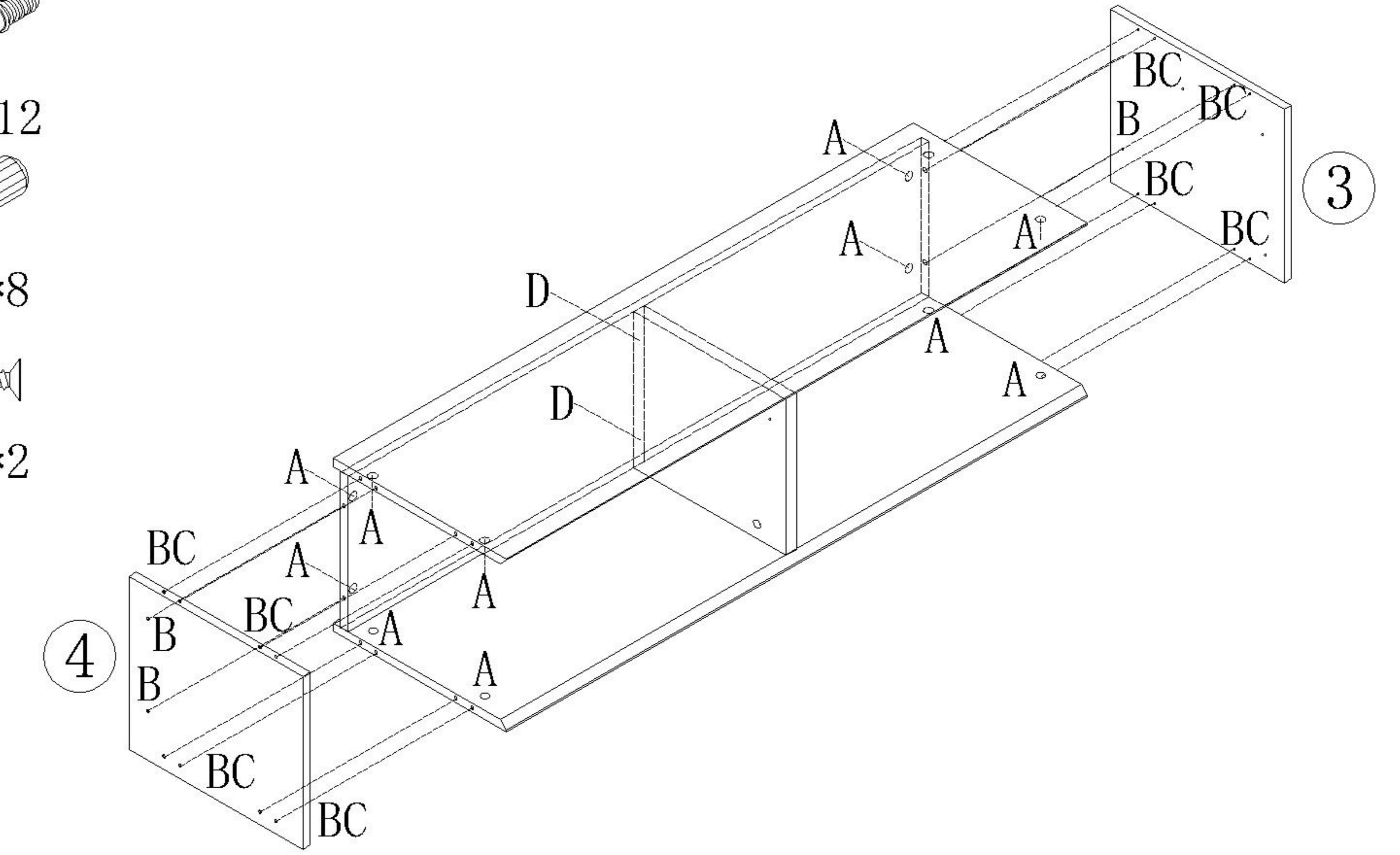
大二合一  
two-in-one

- (A)\*8
- (B)\*8
- (C)\*4



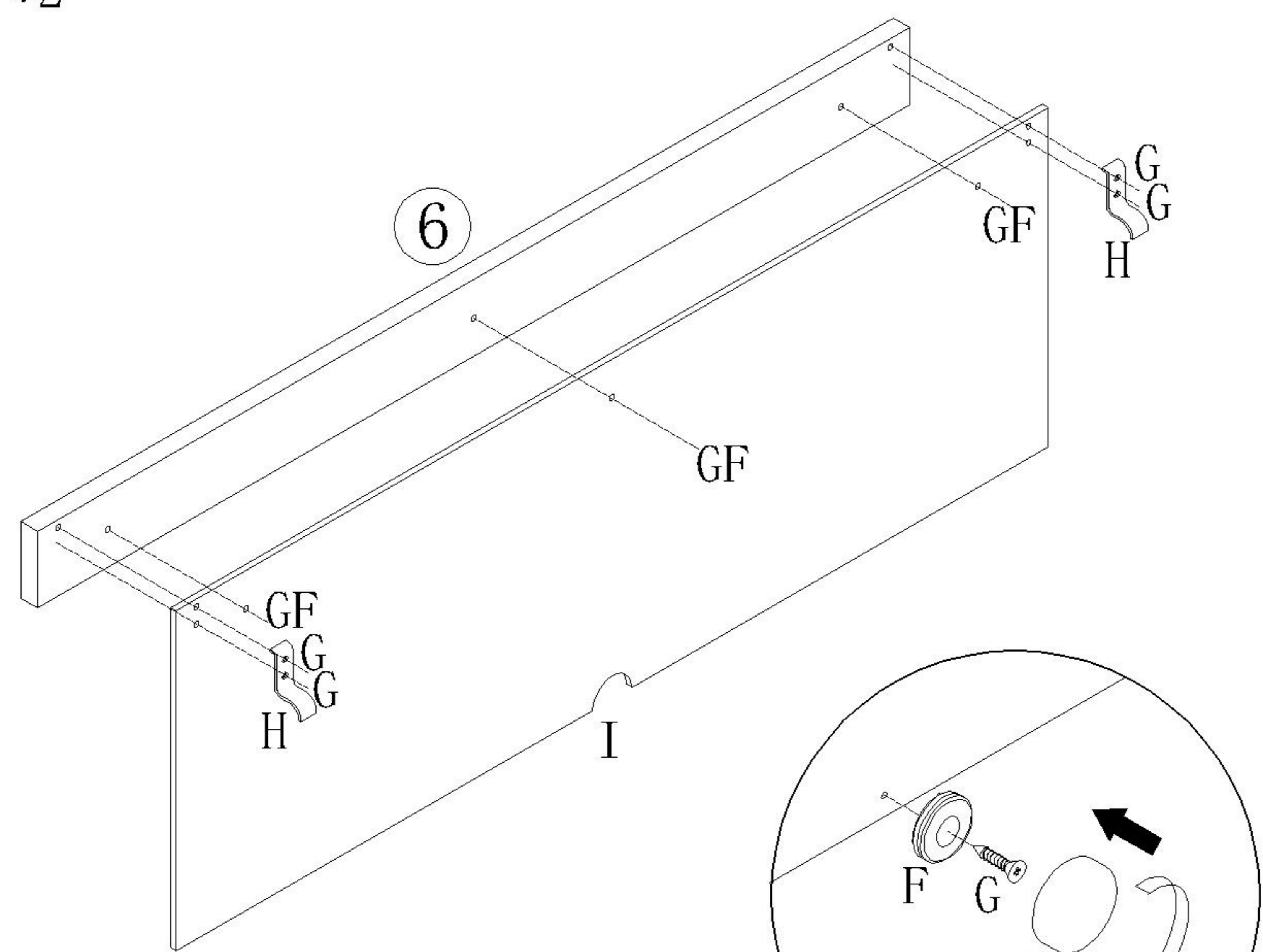
1

- (A)\*12
- (B)\*12
- (C)\*8
- (D)\*2



2

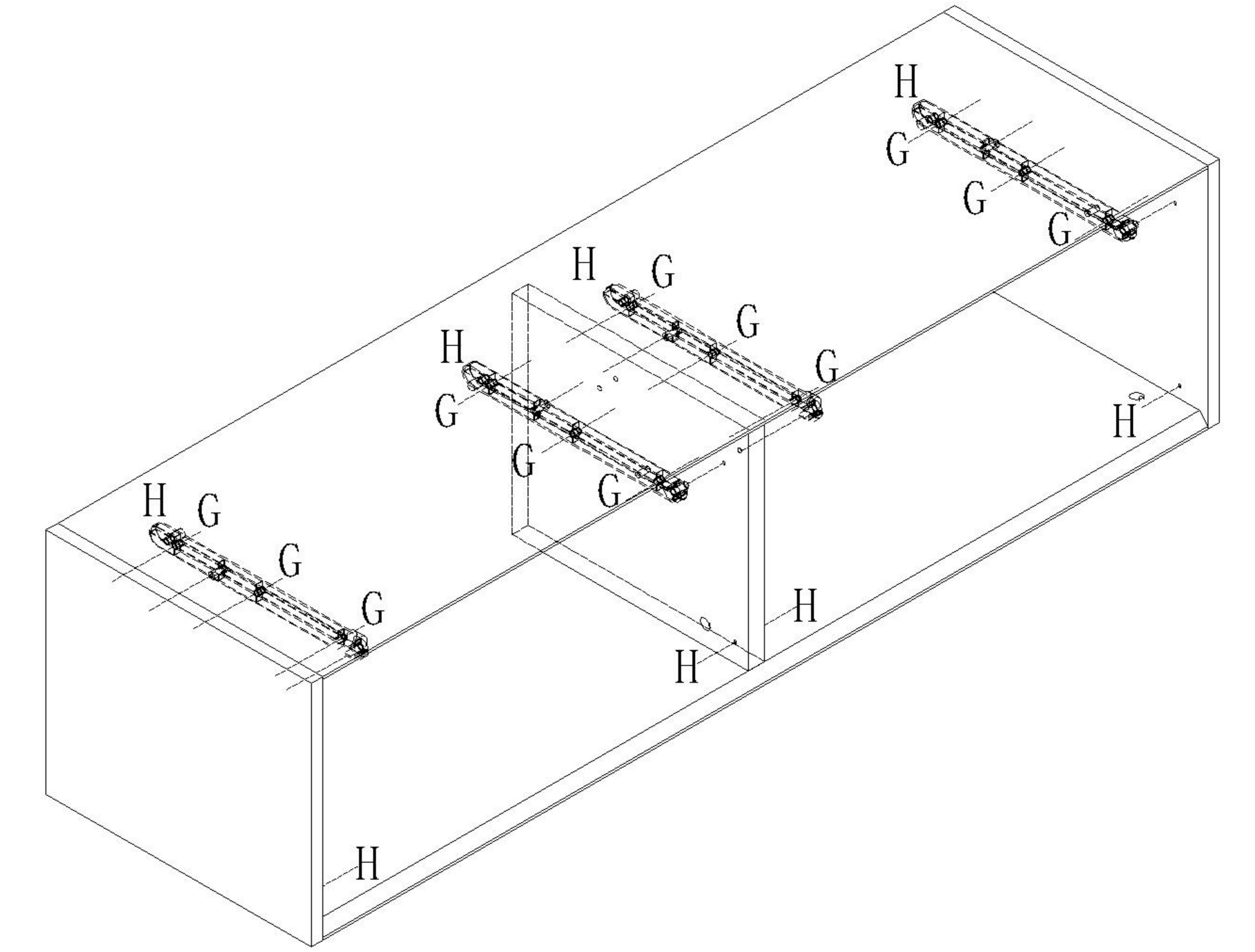
- (G)\*14 (I)\*2
- (H)\*4
- (F)\*6



X2

3

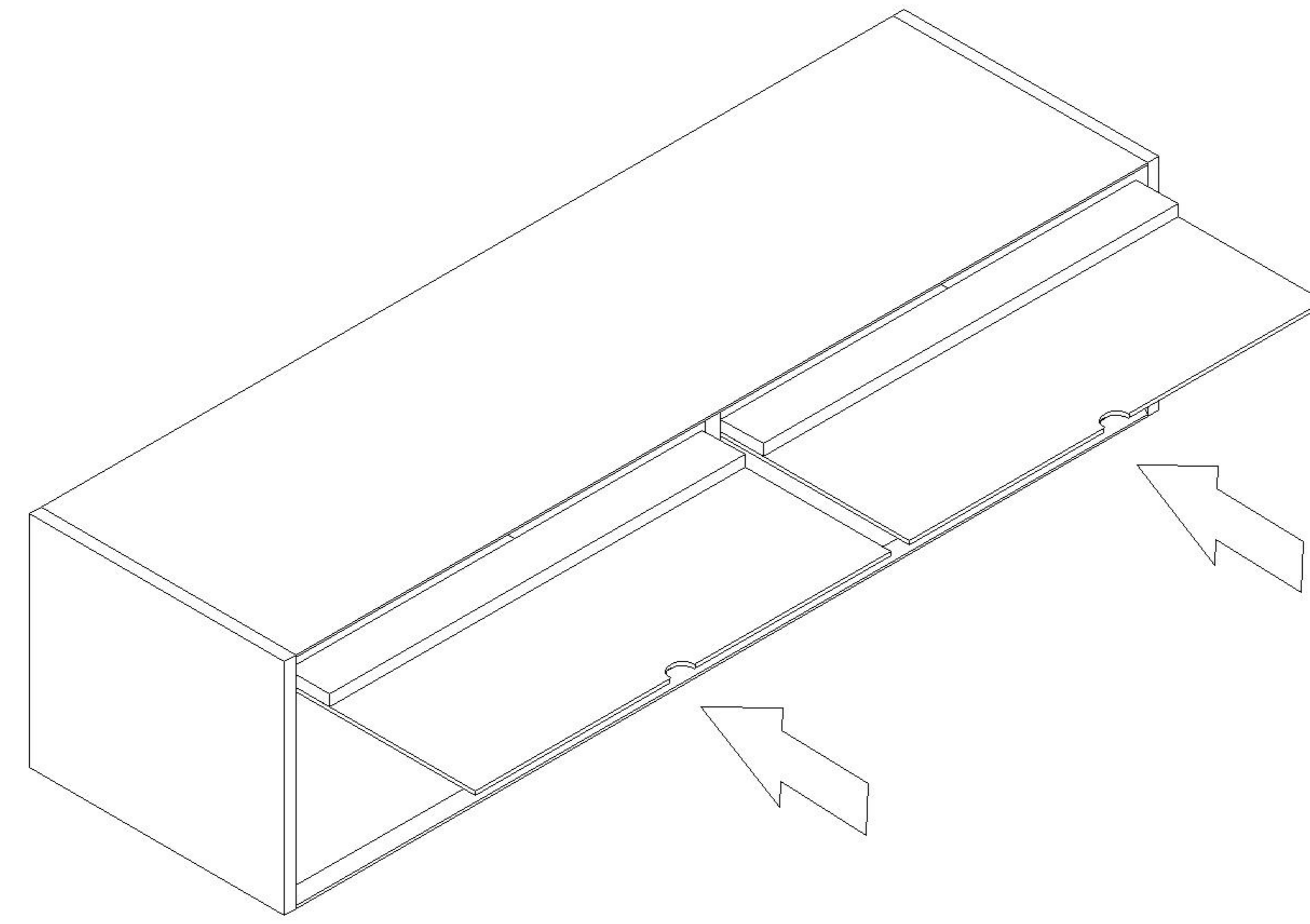
- (G)\*12
- (H)\*4
- (H)\*4



4

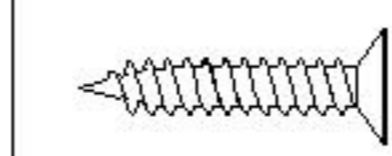
TV2G-A 1.2m

安装方法/  
Installation method



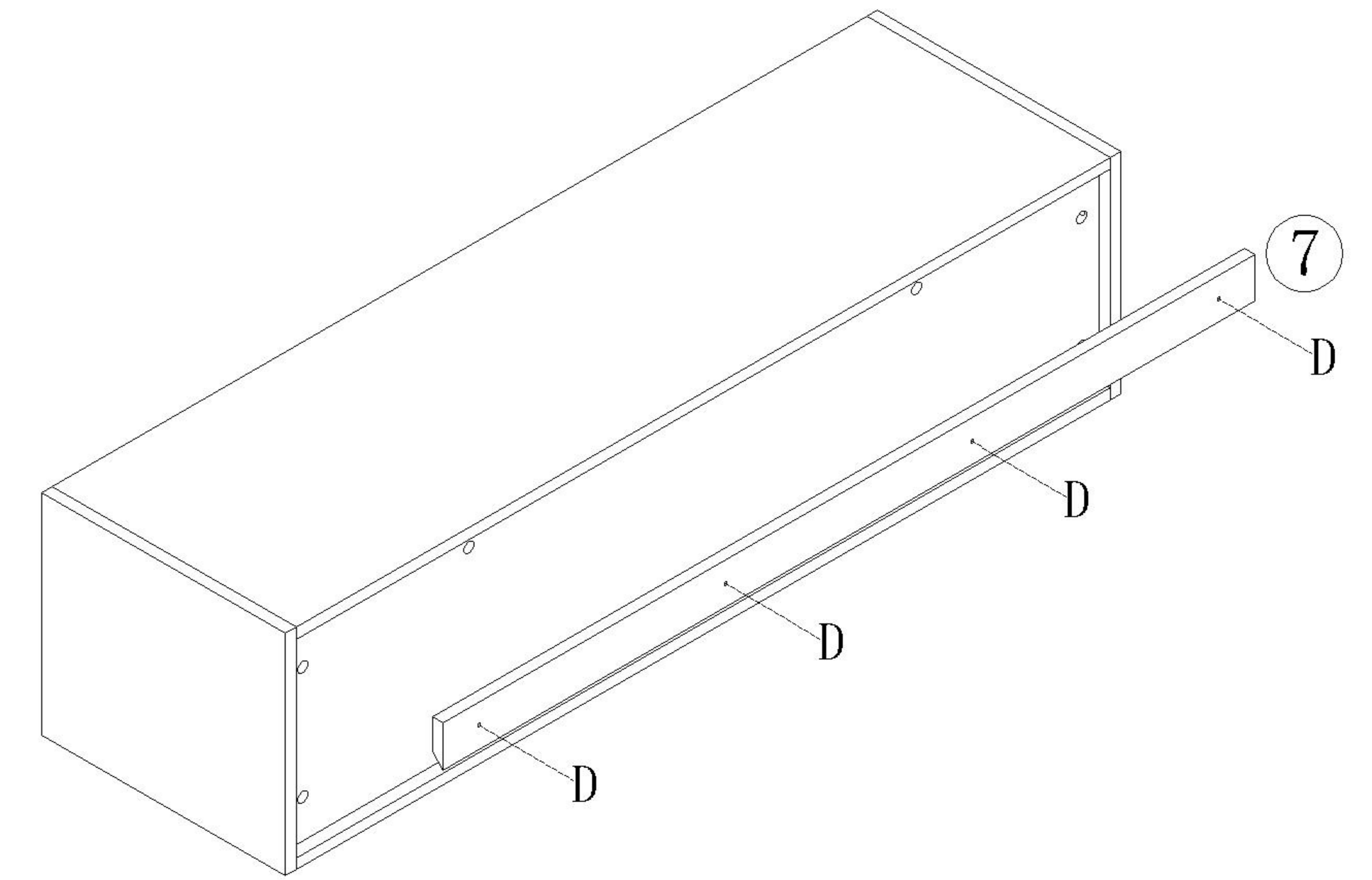
注意：翻门上方预留缝隙是设计用于翻门转动的空间，小心夹手，  
 Note: The reserved gap above the door is designed to turn the door, be careful not to pinch your hands.

5

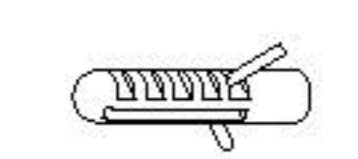


(D)\*4

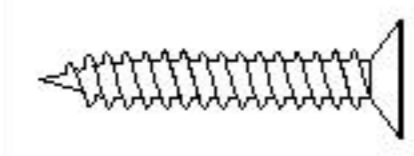
6



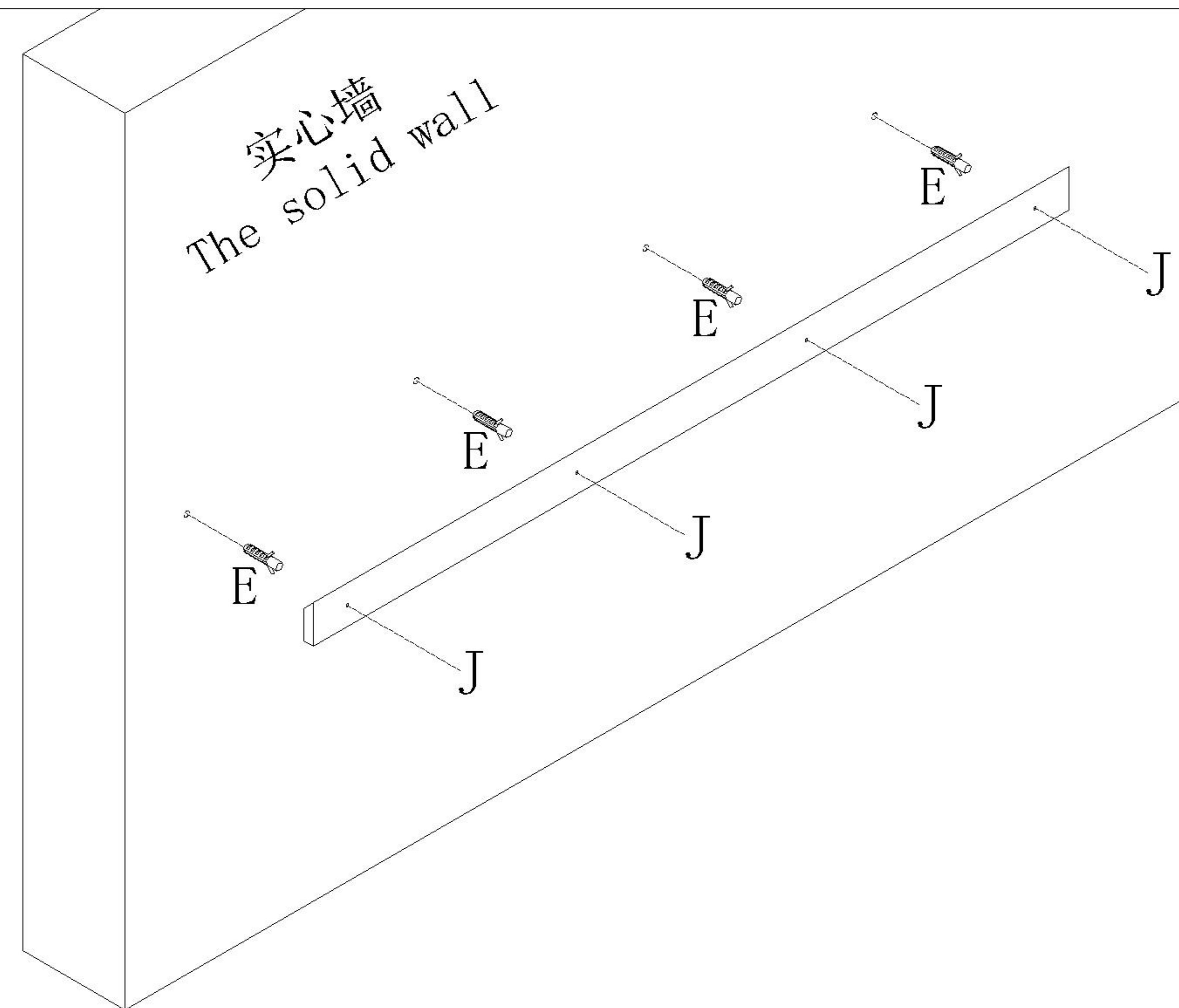
注意！  
 挂条方向，斜边朝下  
 Pay attention to the direction of the hanging plate, with the beveled edge facing downward



(E)\*4



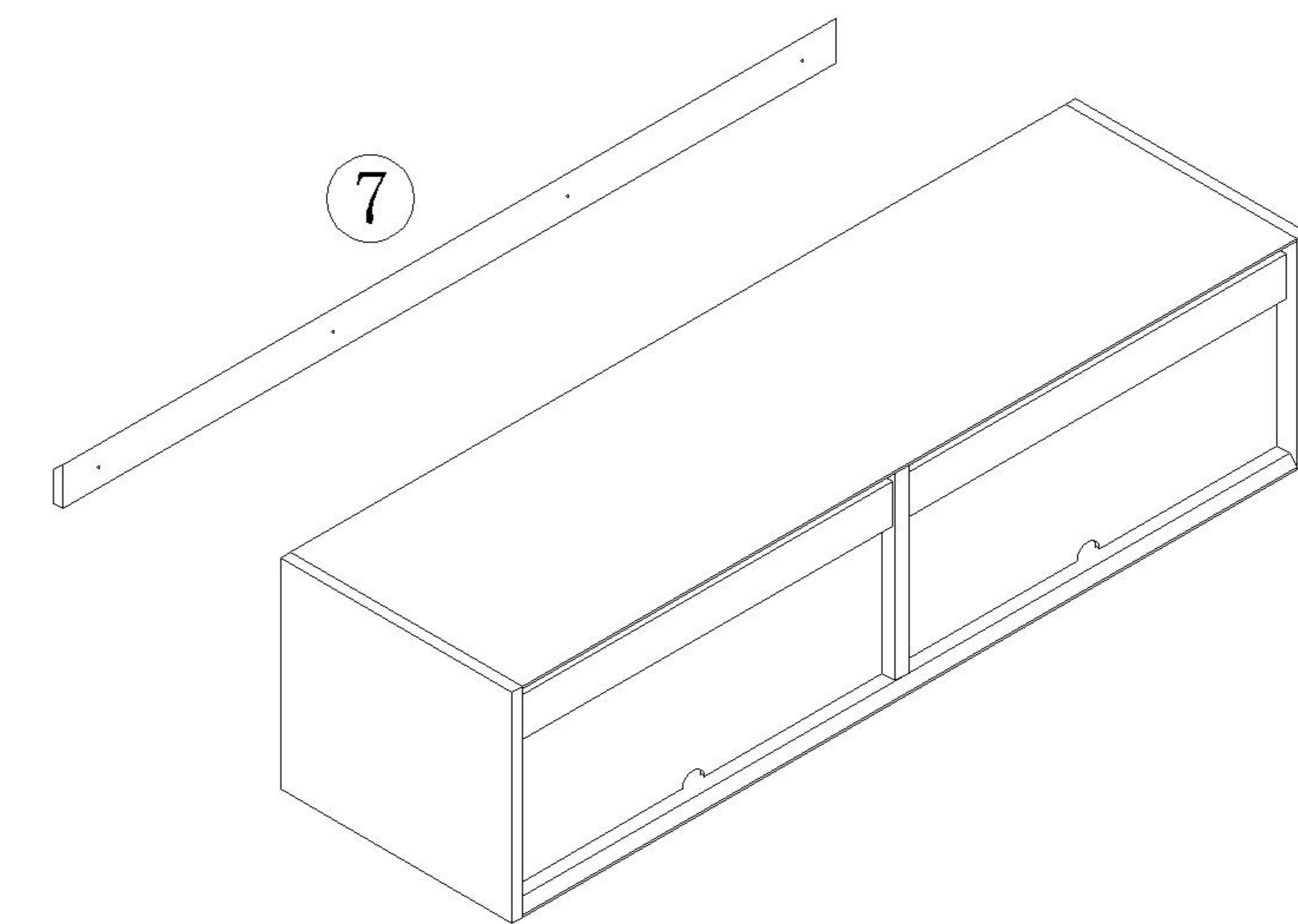
(J)\*4



注意！挂条方向，斜边朝上  
 Pay attention to the direction of the hanging plate, with the beveled edge facing downward

注意：实心墙厚度应不少于120mm，谨防打穿  
 Note: The thickness of the solid wall should not be less than 120mm to prevent penetration

7



TV2G-A 1.2m

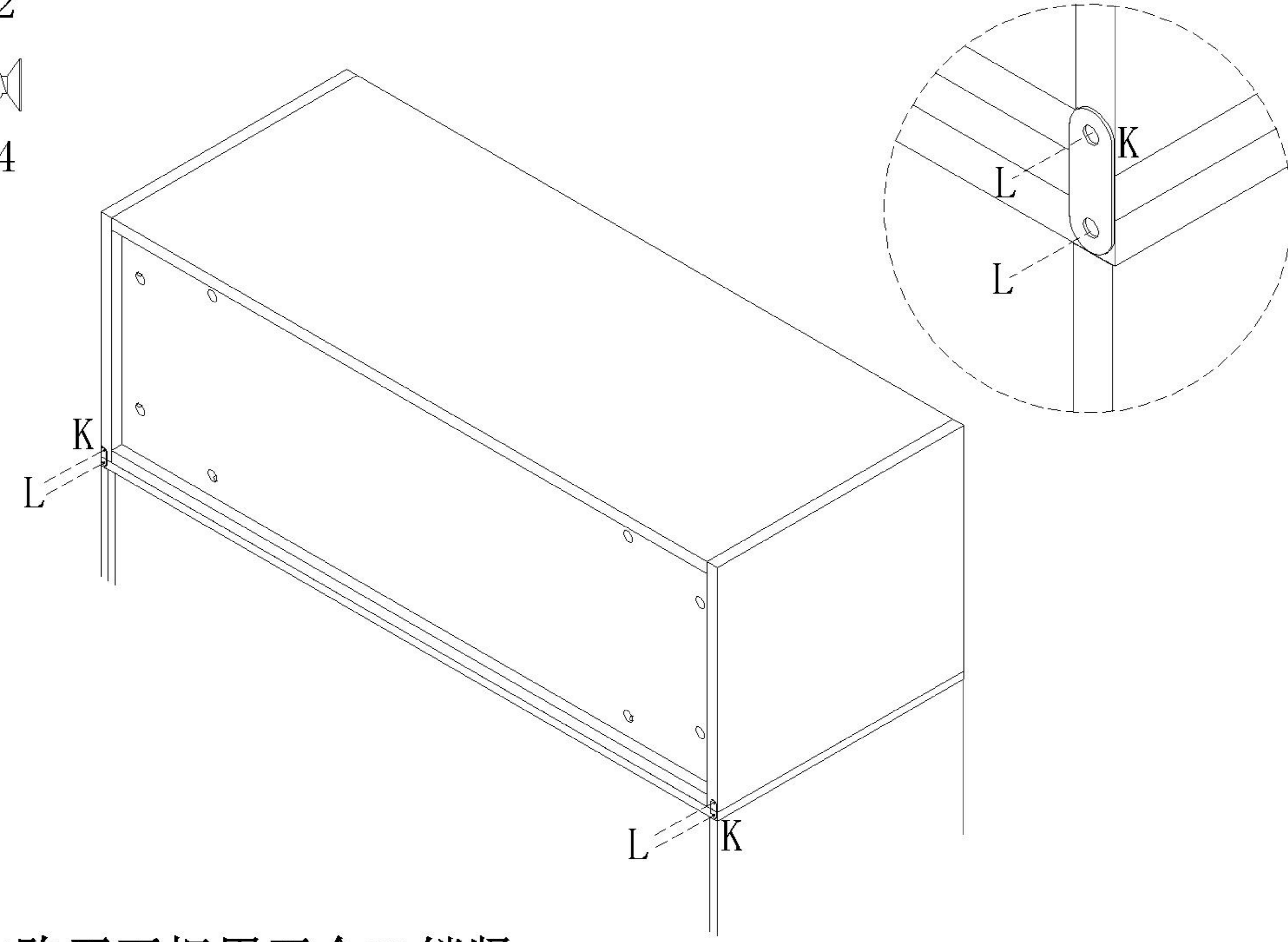
8

TV7E-A 翻门斗柜1.2m  
TV7E-A flip door bucket cabinet 1.2m

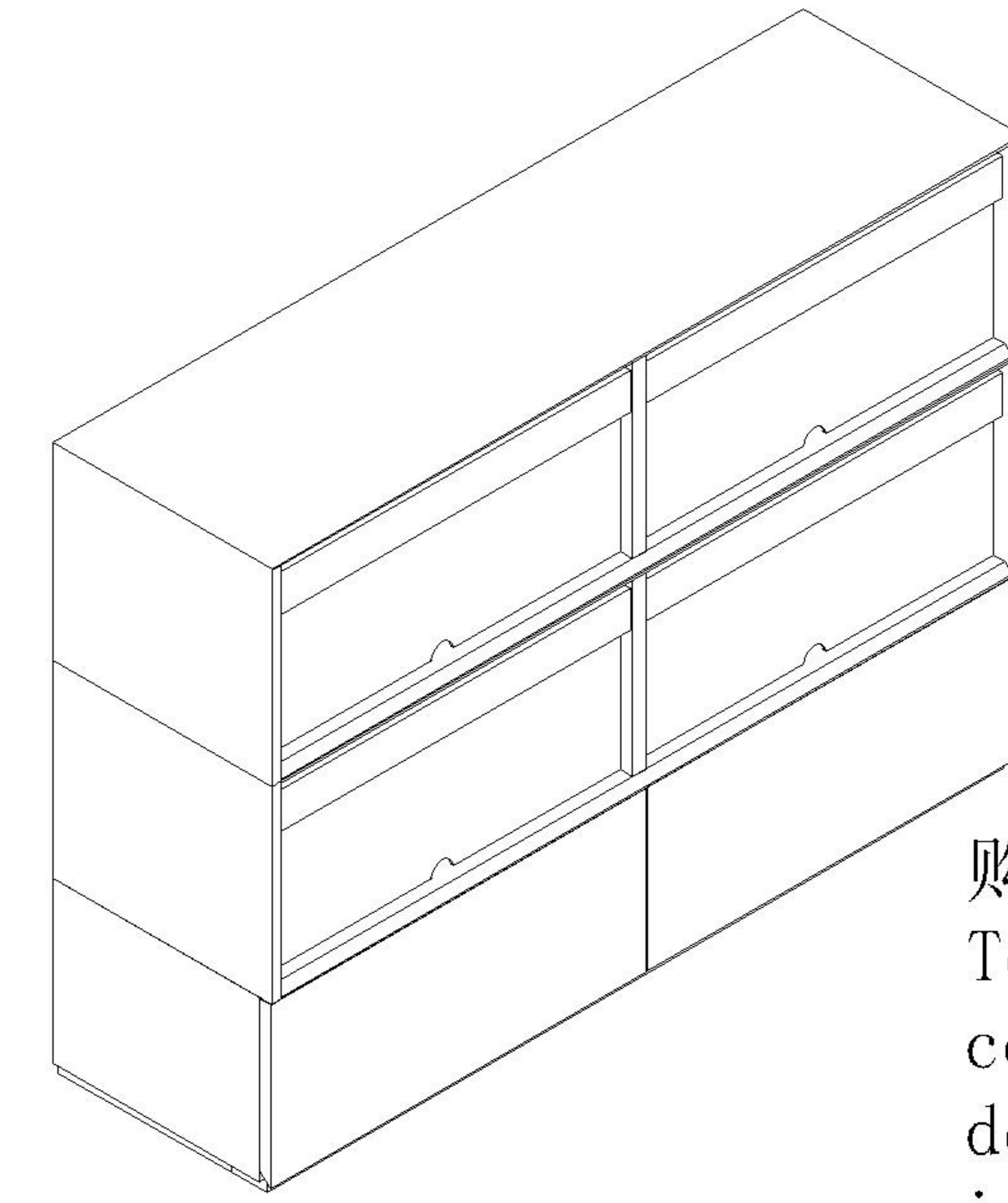
9

安装方法/  
Installation method

(K)\*2  
(L)\*4



如购买下柜用五金KL锁紧  
If purchasing the hardware KL for locking the lower cabinet



购买此搭配需安装防倒器  
To purchase this combination, an anti fall device needs to be installed

规格specifications:1195\*349\*884mm

(M)\*1

实体墙  
Solid wall

