

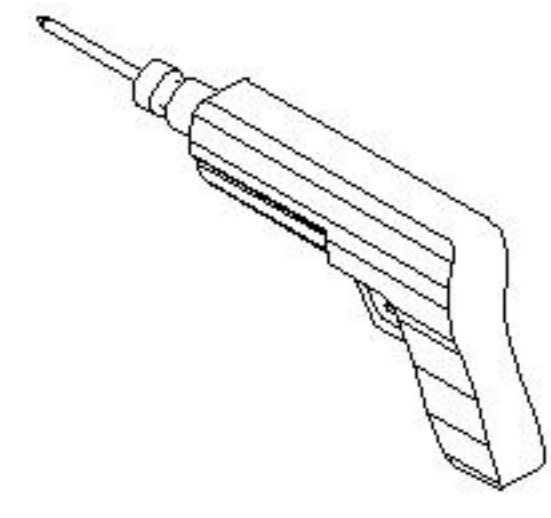
# LINSY 林氏家居

安装示意图/Assembly Instruction

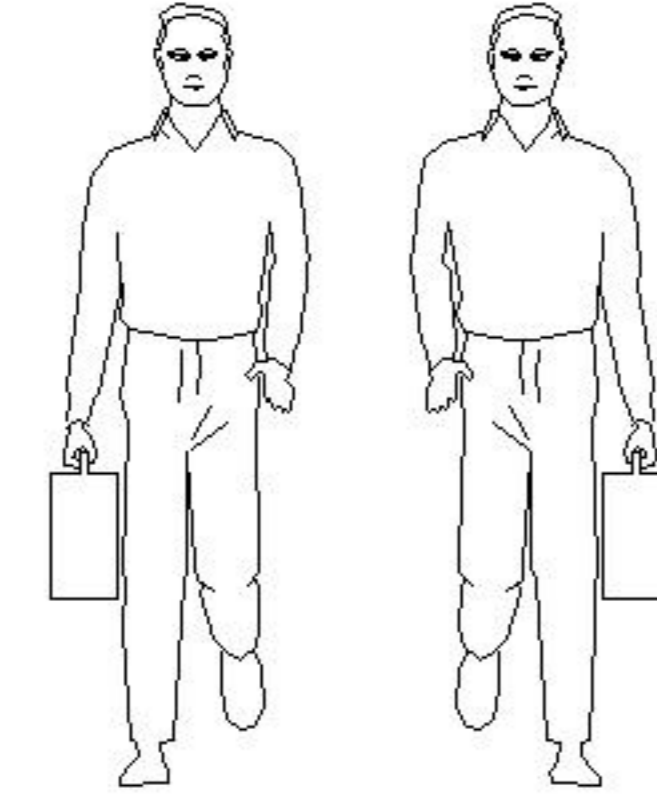
产品名称/Model NO. LS883M1-A地柜 /TV ark

产品规格/Specification (1800-2000)\*395\*345

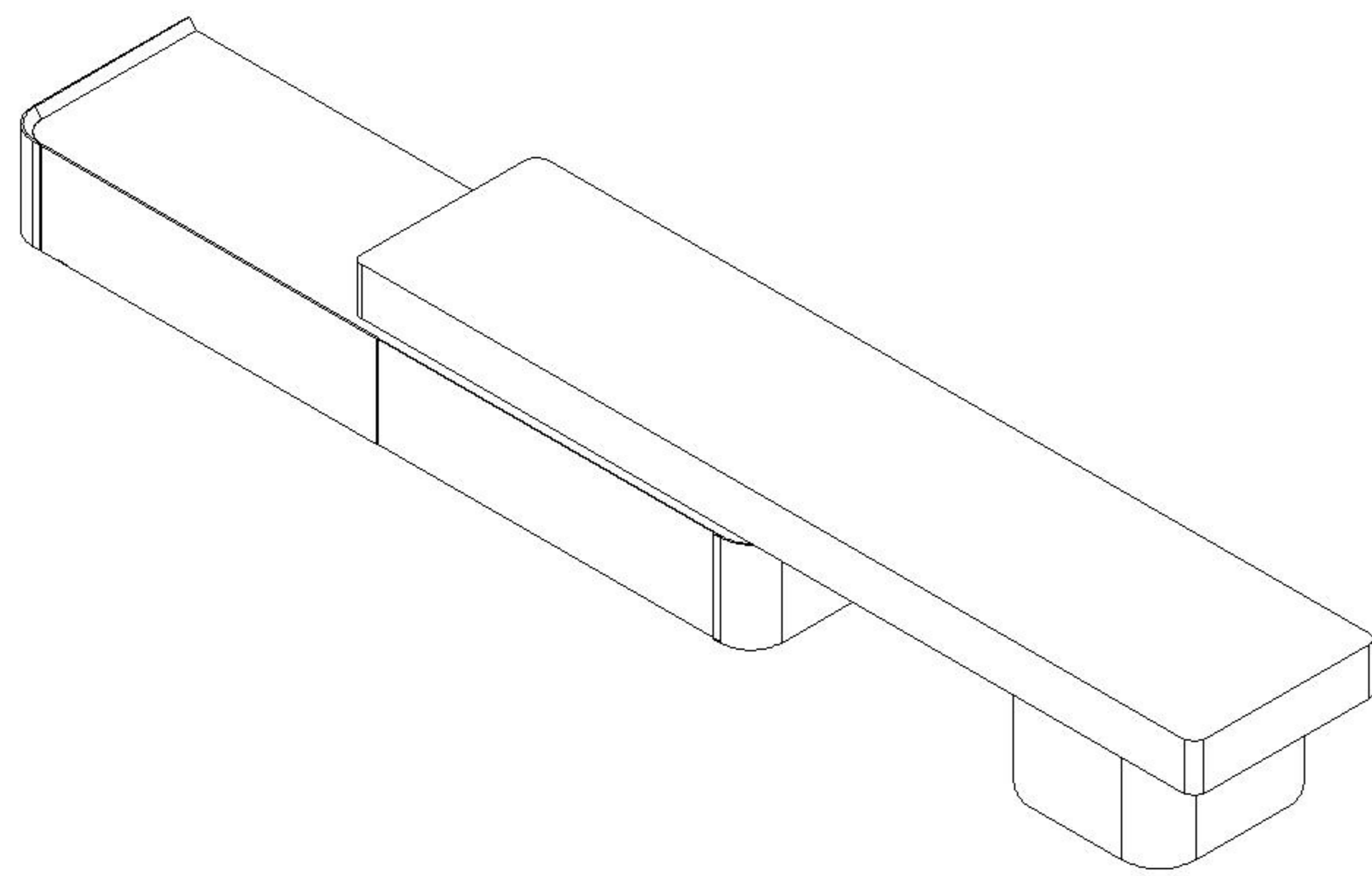
安装工具/Tool 安装人数/Installer



手电钻  
Hand electric drill



效果图  
Effect picture

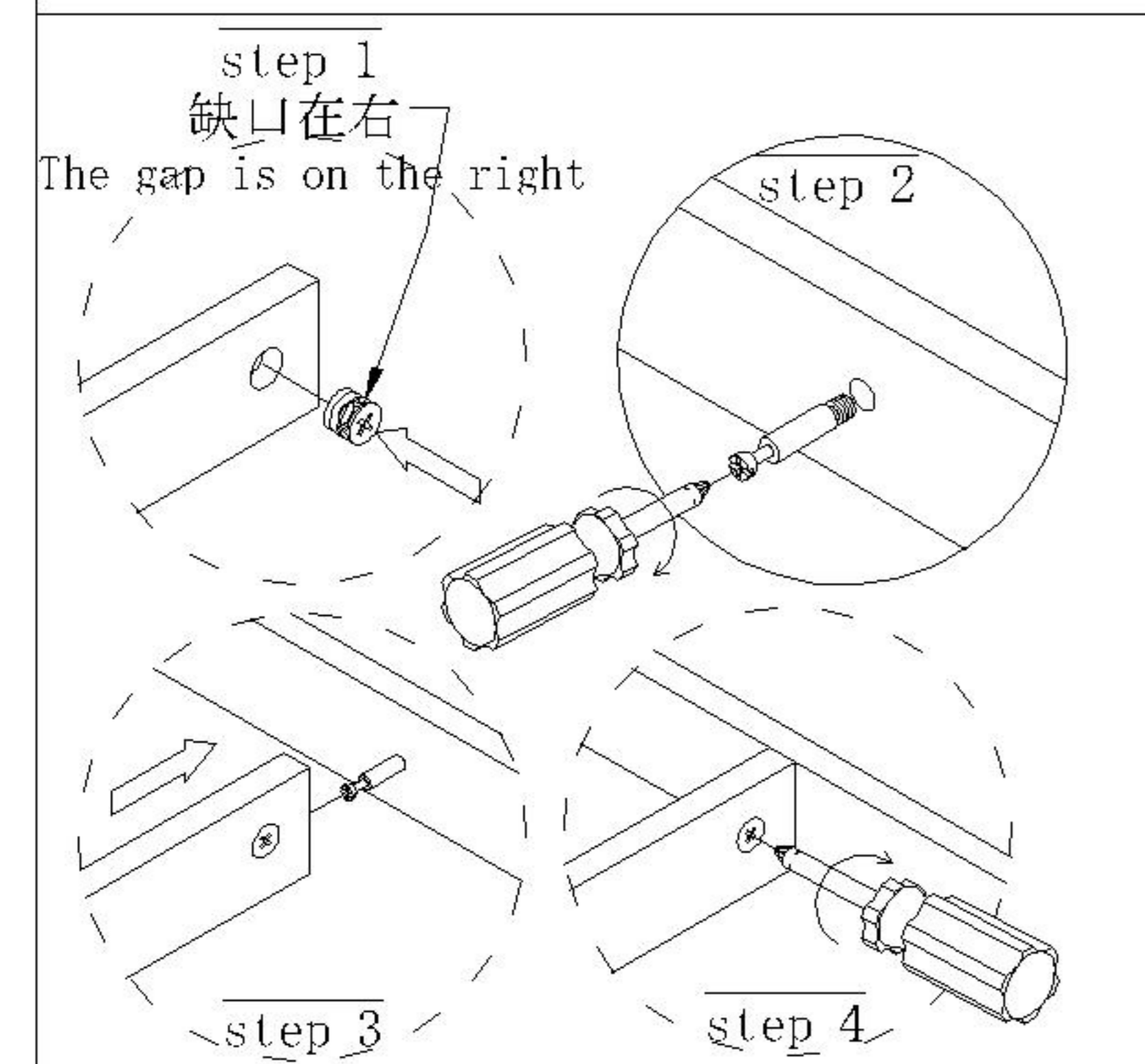


## 五金表/Hardware list

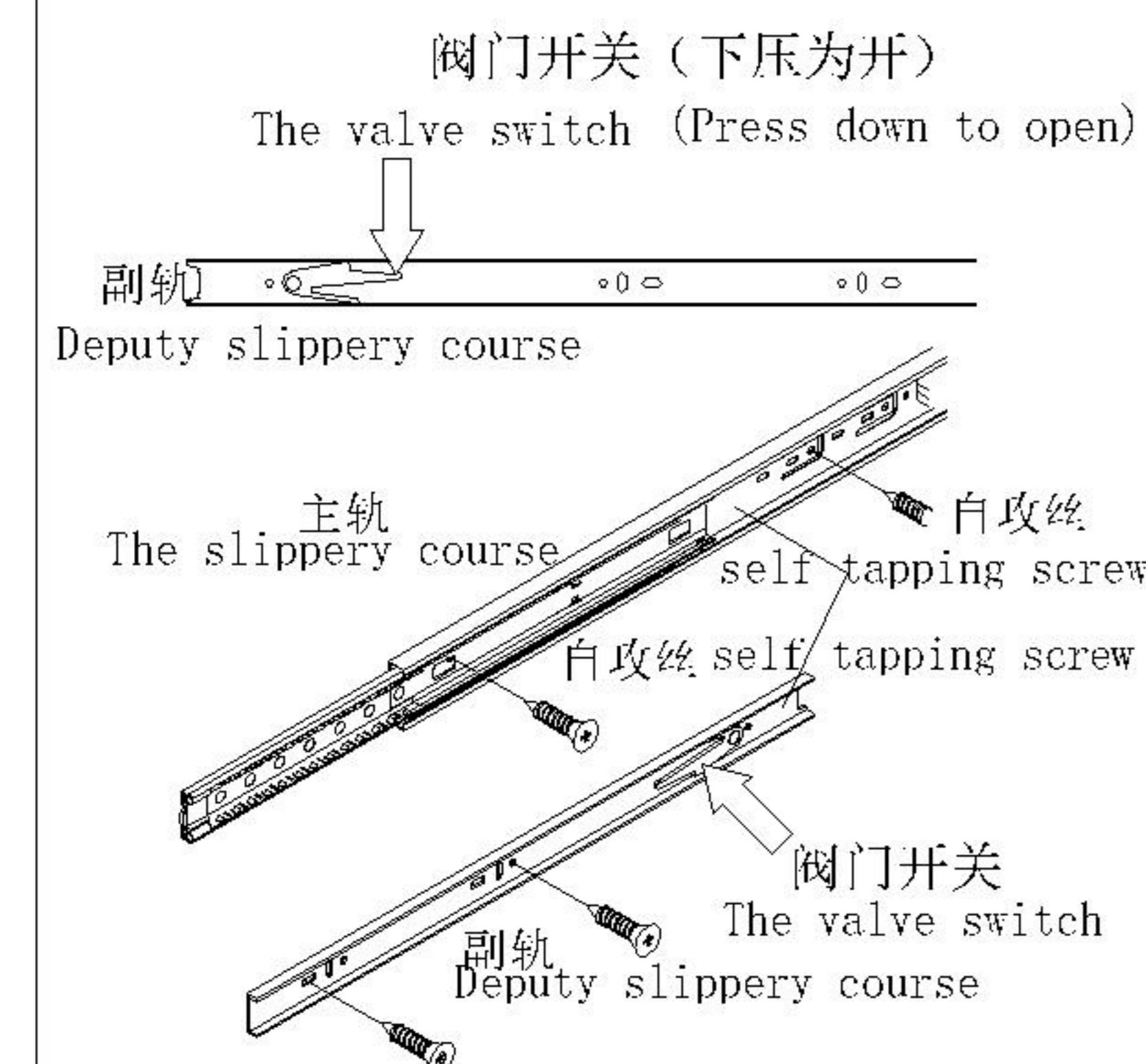
编号 NO.	名称 Name	图片 Pictures	数量 QTY
A	大二合一锁饼 two-in-one large lock		36
B	大二合一螺杆 Big 2-in-1-screw		36
C	小二合一锁饼 small two-in-one lock		8
D	小二合一螺杆 small 2-in-1-screw		8
E	沉头纤维钉 M3.5*14 Countersunk head fiber nail (M3.5*14mm)		16
F	木梢Φ8*40 wood tenon-(diameter 8*40mm)		4
G	黑色透气孔盖组合式 Combination breathable hole cover		2
H	丝杆,斜边内六角平头 M6*35 Diagonal hexagonal flat head screw -(M6*25mm)		13
I	毛毡,灰色自粘25*2 Felt, gray self-adhesive-(25*2mm)		10
J	透明自粘硅胶垫 Φ10*1 Transparent adhesive silicone pad Φ10*1		5
K	扳手,六角L型M1 Wrench, hexagonal L-shaped M1		1
L	滑轨300*45*12 Concealed Slides 300*45*15		2

## 部件表/Parts List

编号 NO.	部件名称 Name	规格 Specification	数量 QTY	材质 Material
1	左柜面板 Left cabinet panel	1800x395x100	1	三胺板 Melamine
2	左柜垫块 Left cabinet cushion block	200x290x34	1	三胺板 Melamine
3	面板 panel	1562x375x15	1	三胺板 Melamine
4	左旁板 Side panel (L)	395x195x80	1	三胺板 Melamine
5	右旁板 Side panel (R)	395x195x80	1	三胺板 Melamine
6	左抽面 Drawer panel (L)	716x195x18	1	三胺板 Melamine
7	右抽面 Drawer panel (R)	716x195x18	1	三胺板 Melamine
8	支撑脚 Support foot	Φ50x28	5	橡胶木 Rubber wood
9	后立板 Rear upright plate	1439x149x15	1	三胺板 Melamine
10	底板 floor	1439x376x15	1	三胺板 Melamine
11	中立板 Neutral board	357x149x15	1	三胺板 Melamine
12	左抽帮 sideboard of the drawer (L)	300x118x15	2	松木 pine
13	右抽帮 sideboard of the drawer (R)	300x118x15	2	松木 pine
14	抽尾 Drawer Back panel	670x113x15	2	松木 pine
15	抽底 Drawer Bottom panel	677x288x5	2	三胺板 Melamine
16	抽底托条 Bottom drag strip	281x60x12	2	松木 pine
17	L型亚克力板 L-shaped acrylic board	340x340x244	1	塑料 plastics

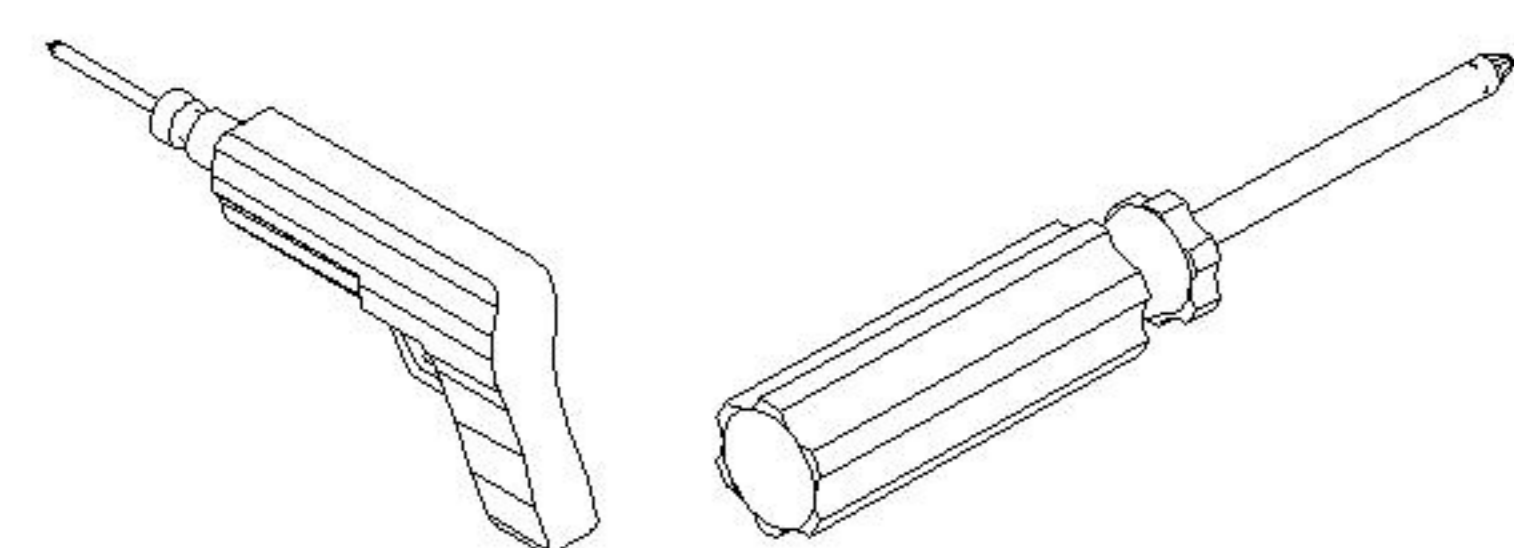


二合一安装方法  
2 in 1 Installation method



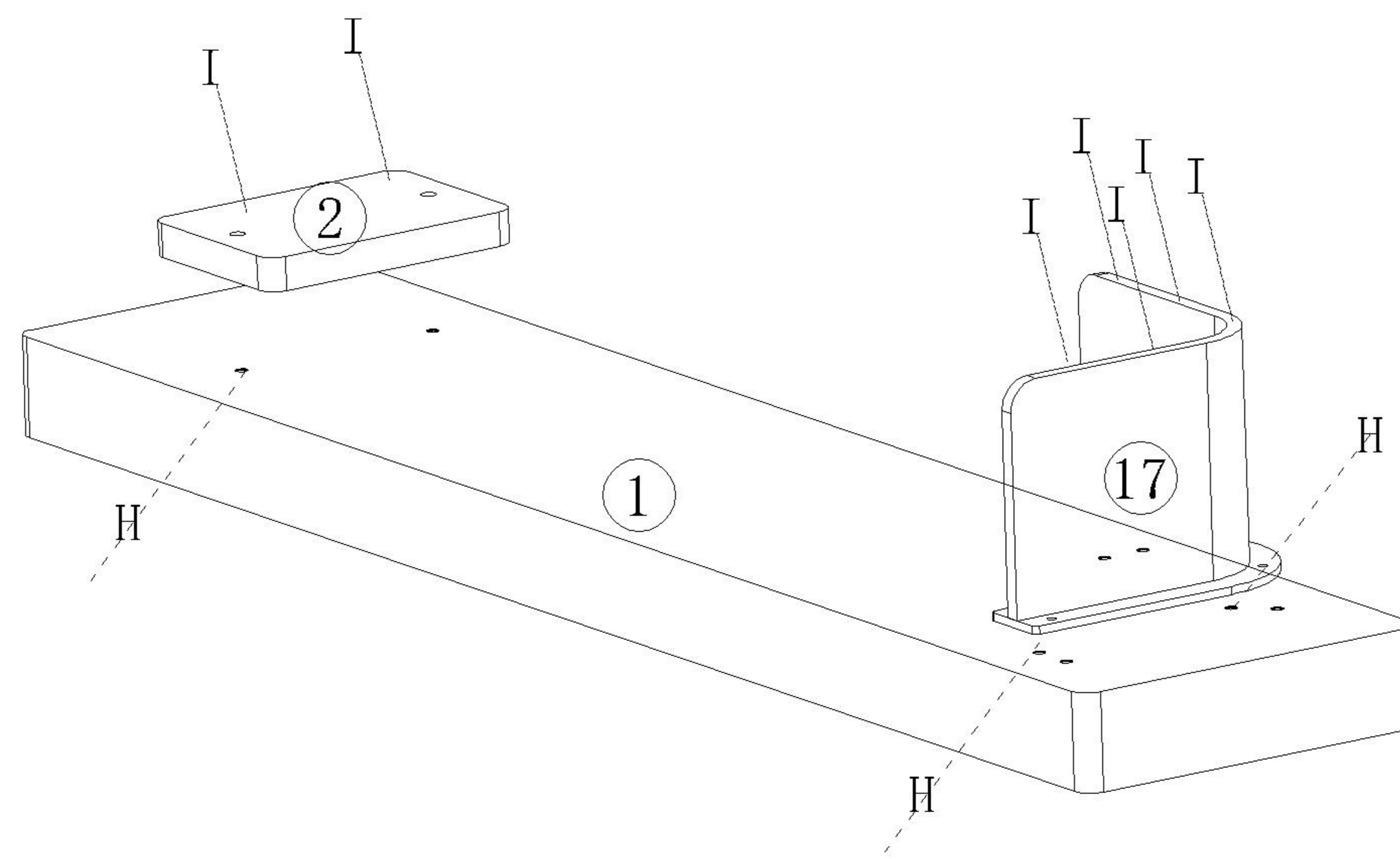
导轨安装方法  
Installation method of slide rails

安装工具/Tool



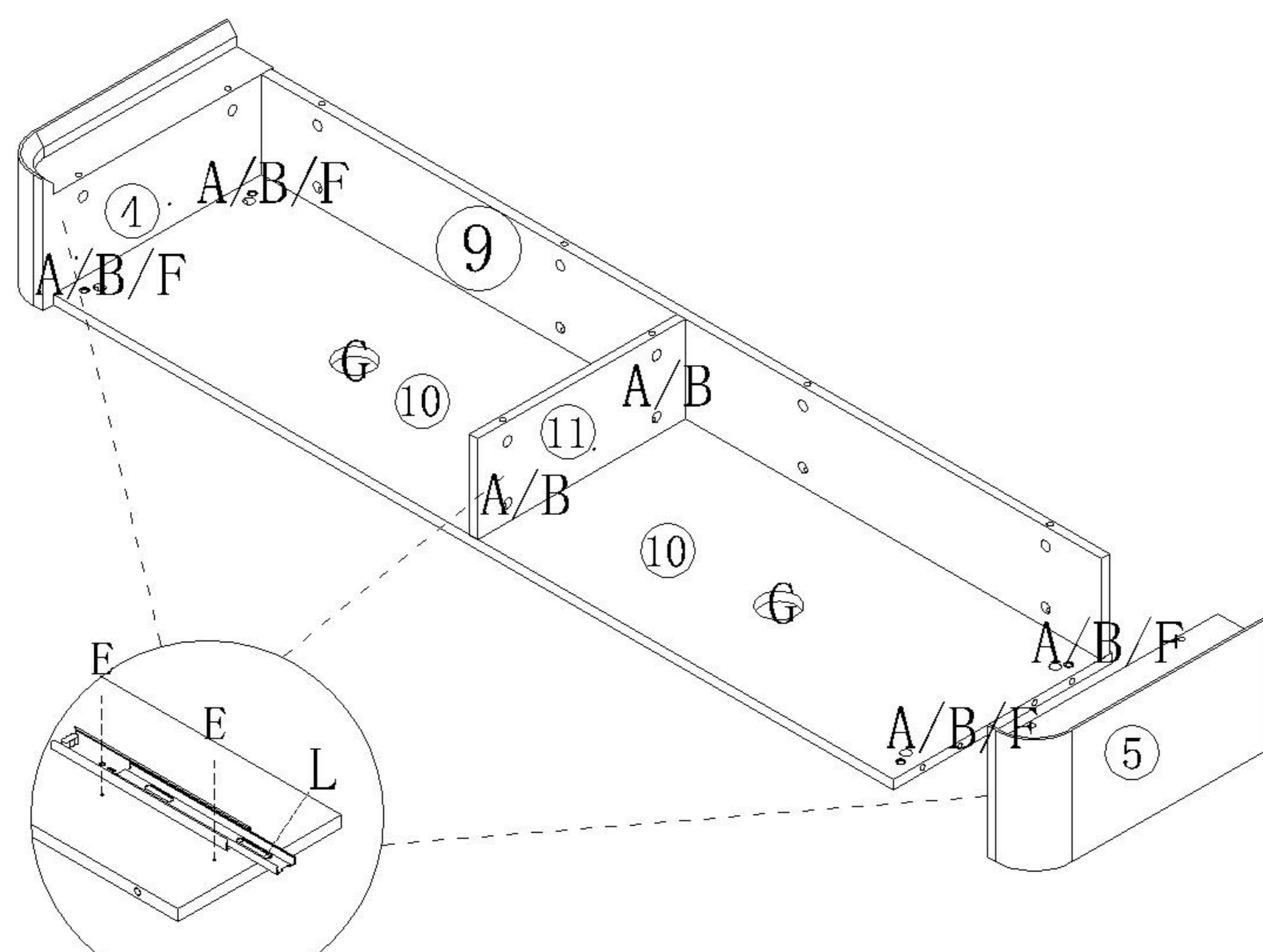
手电钻  
Hand electric drill  
十字螺丝刀  
Phillips screwdriver

STEP 1



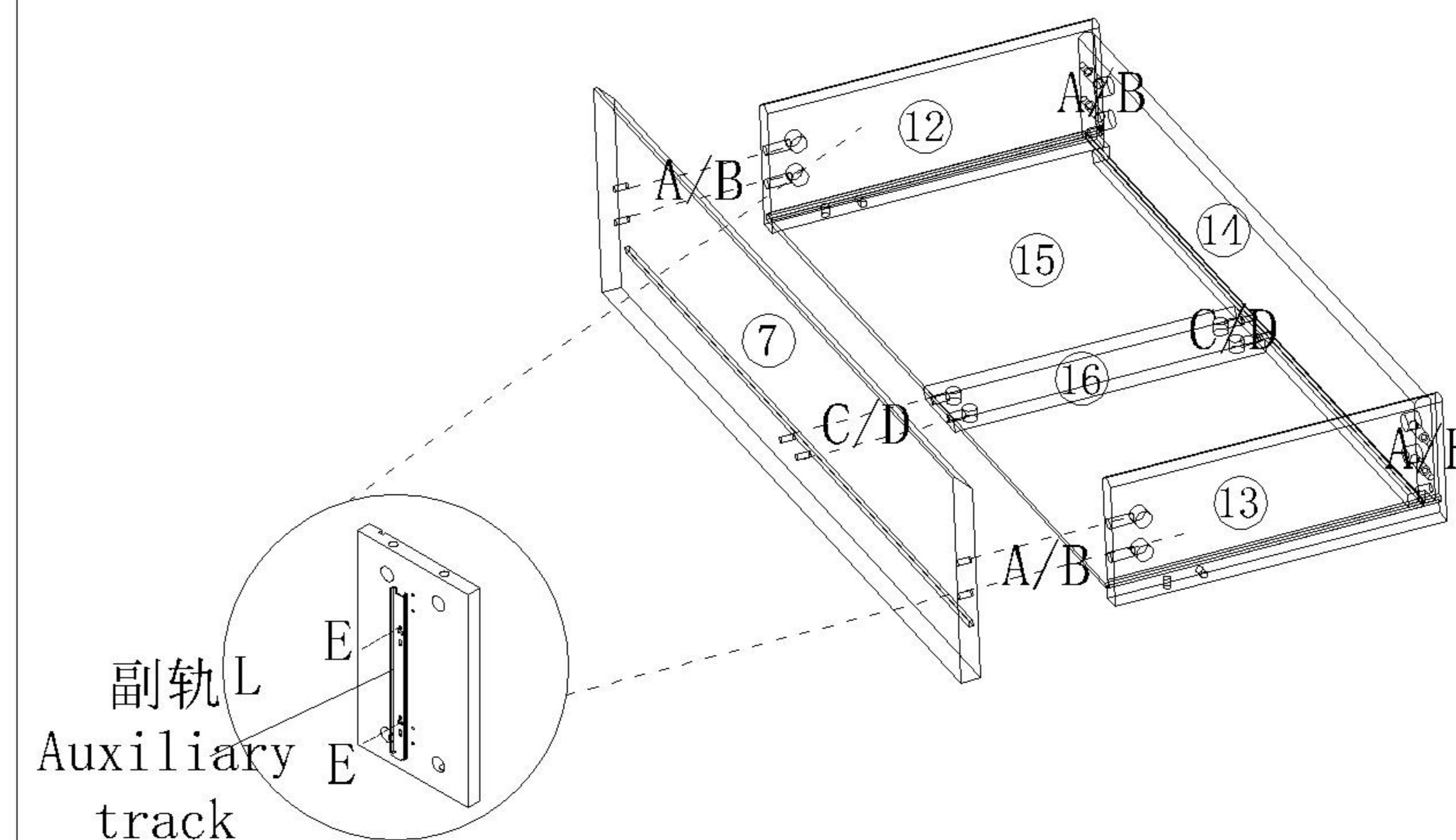
▶用五金H将部件2、17安装在部件1上；均匀粘贴五金I  
Install components 2 and 17 onto component 1 using hardware H; Uniformly pasting hardware I

STEP3



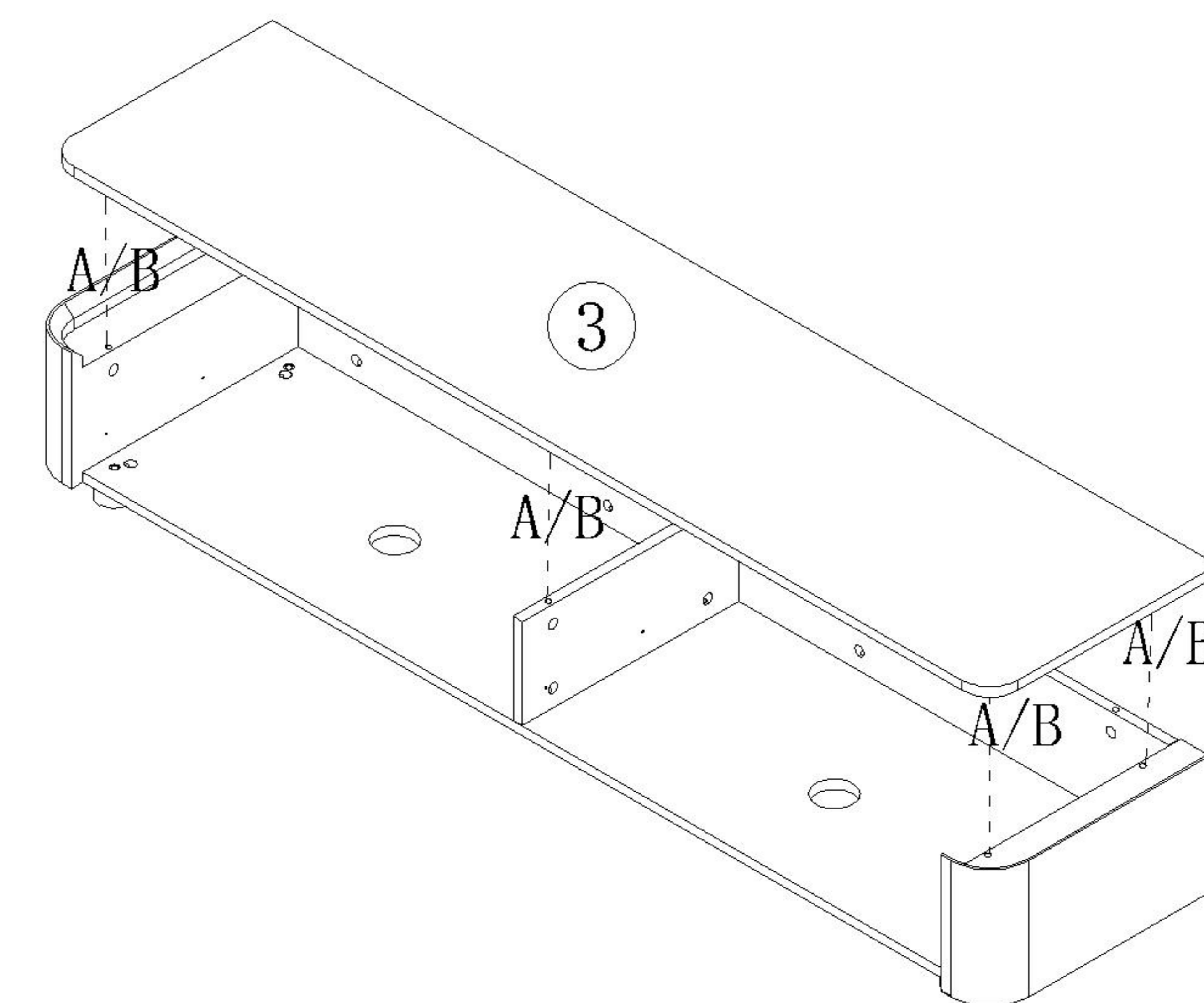
▶先将部件4与部件10用五金A/B/F连接在一起，然后部件9/11与部件10用五金A/B连接，再将部件5用五金A/B/F连接在一起，最后用五金E将五金L的主轨锁紧在部件4/5/上，再在部件10上卡上五金G  
First, connect component 4 and component 10 together with hardware A/B/F, then connect component 9/11 and component 10 with hardware A/B, then connect component 5 together with hardware A/B/F, finally lock the main rail of hardware L onto component 4/5/ with hardware E, and then clip hardware G onto component 10

STEP2



▶用五金E将五金L的副轨安装在部件12/13上；再将上图部件用五金A/B/C/D相互锁紧  
Install the auxiliary rail of hardware L onto component 12/13 using hardware E; Then lock the components in the diagram with hardware A/B/C/D to each other

STEP4



▶用五金A/B将部件3安装在STEP3组装好的柜体上  
Install component 3 onto the cabinet assembled by STEP3 using hardware A/B

LS883M1-A

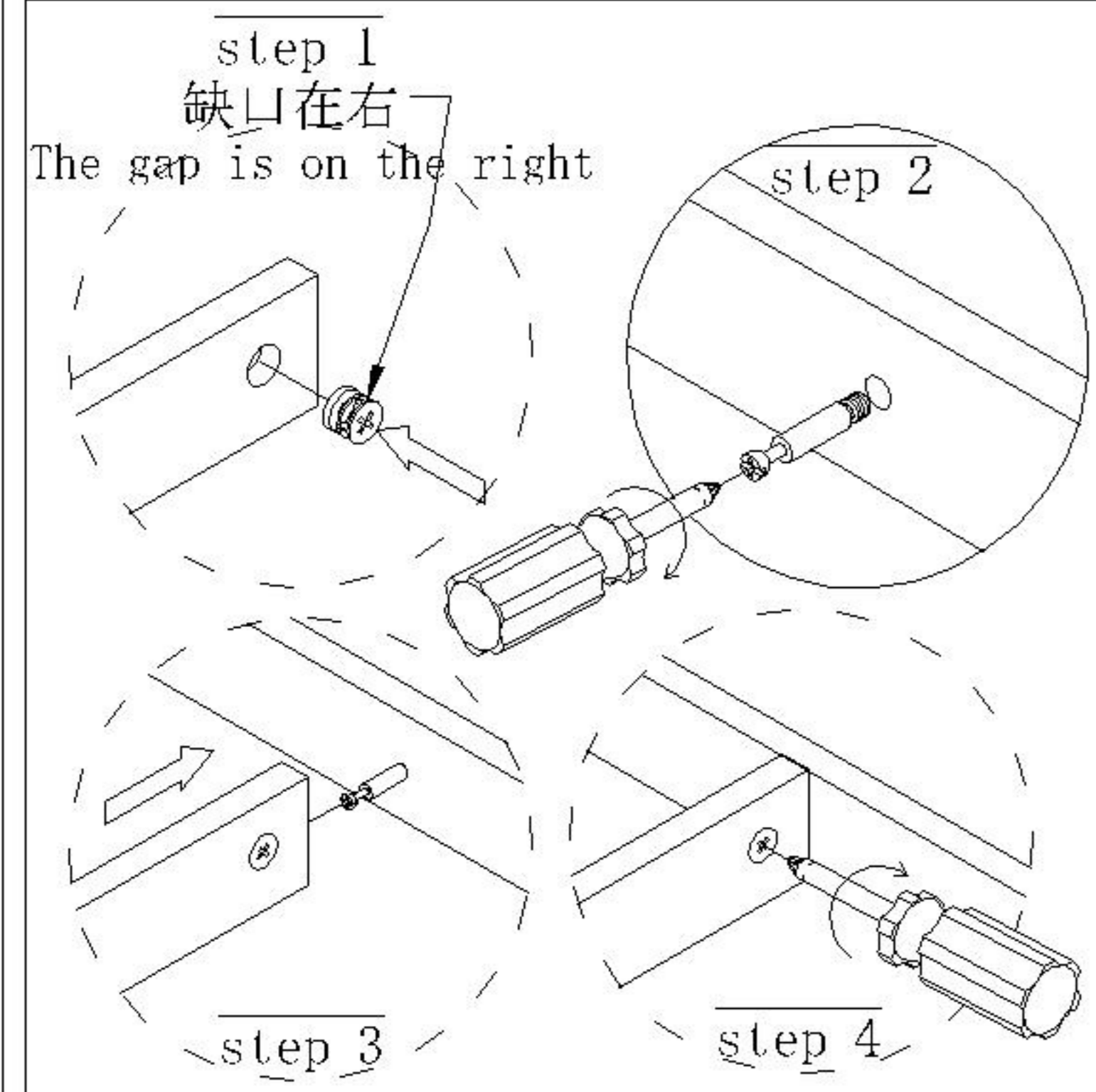
STEP5

5

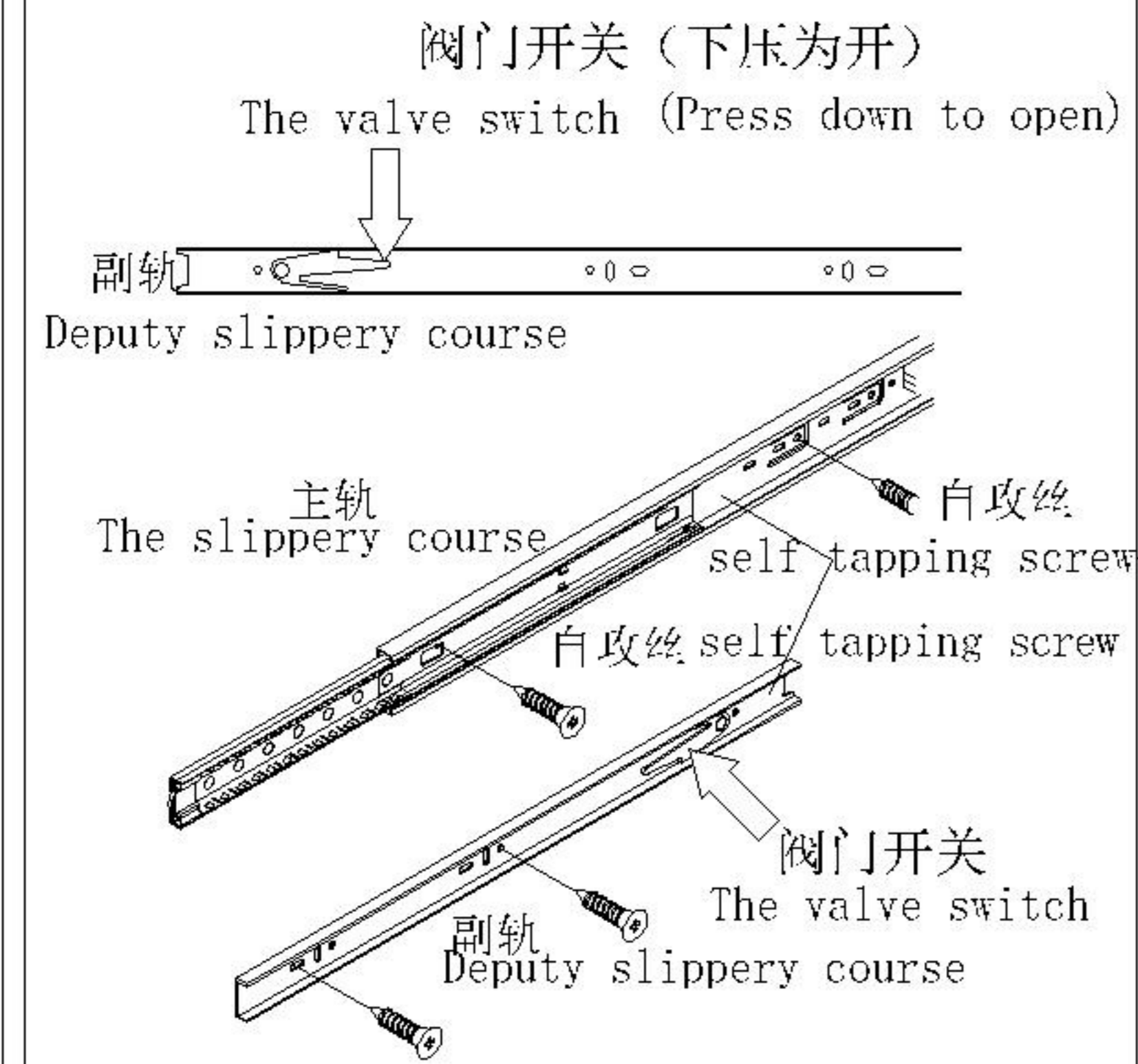
STEP6

6

安装方法/Installation method

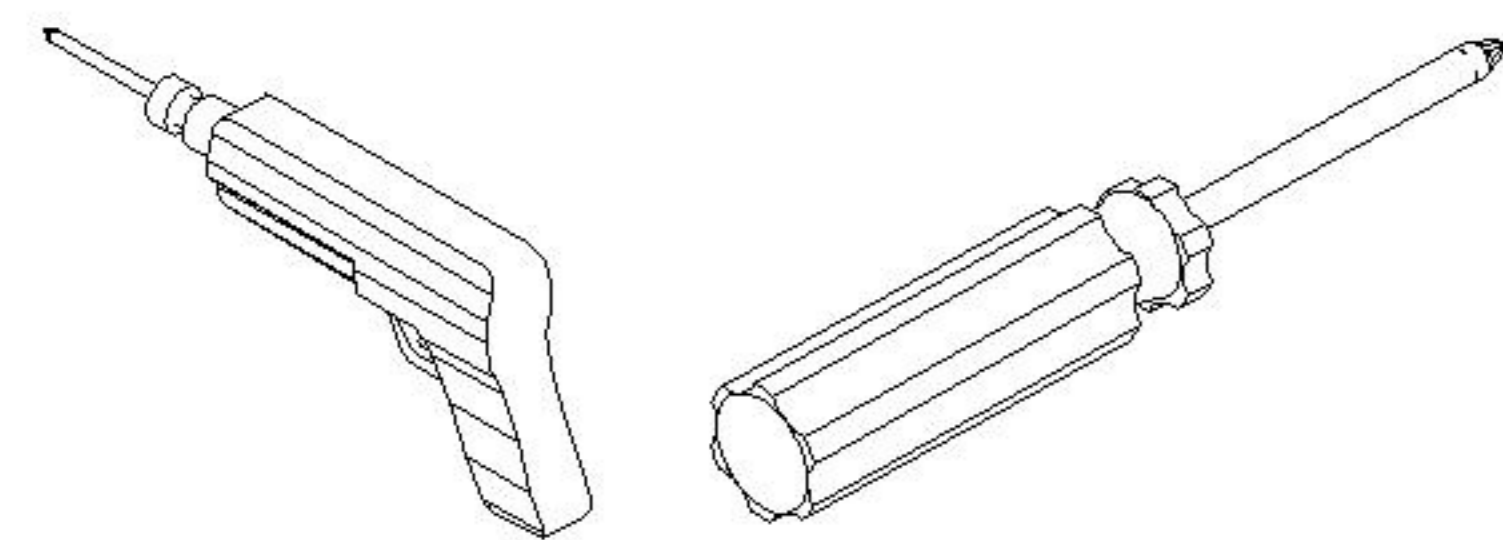


二合一安装方法  
2 in 1 Installation method



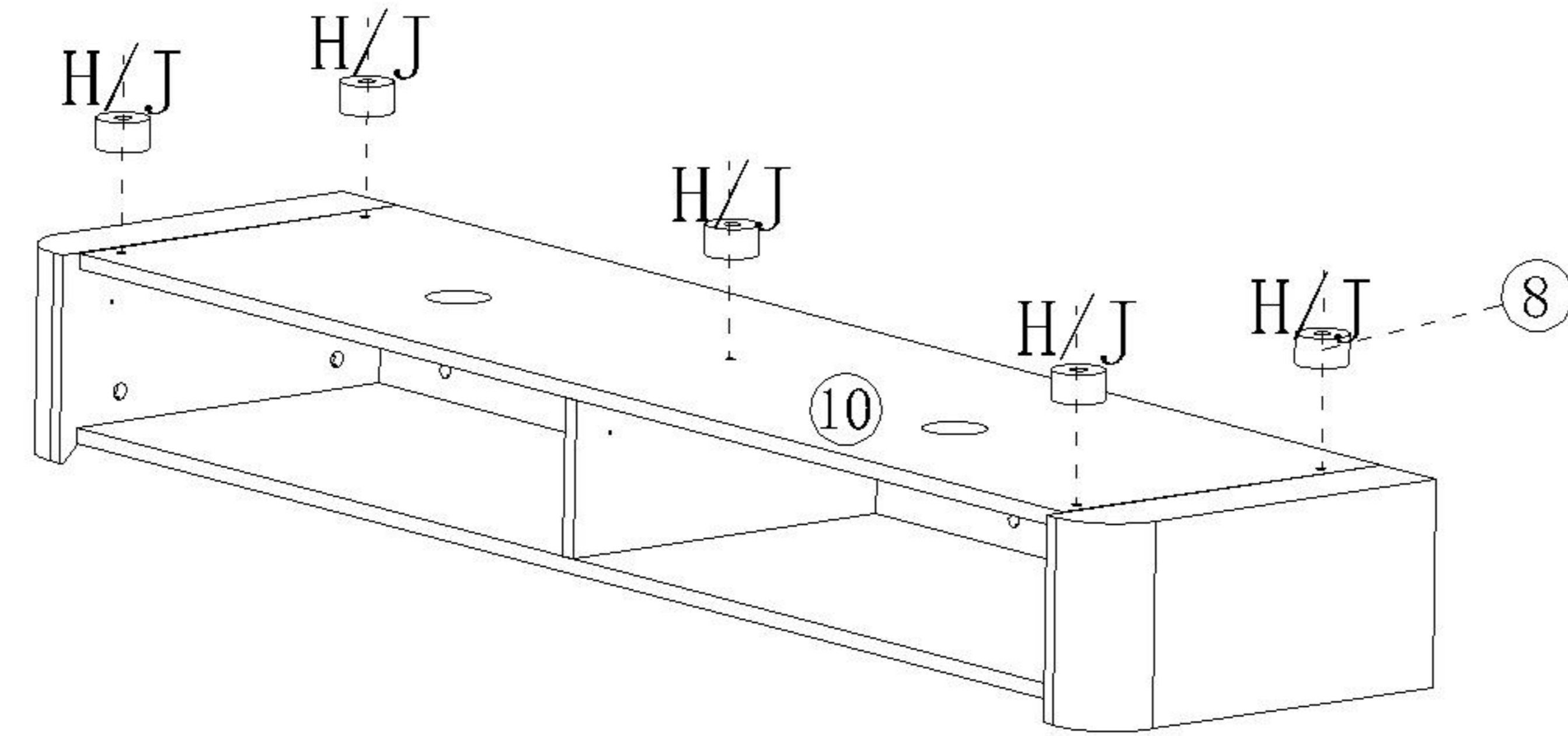
导轨安装方法  
Installation method of slide rails

安装工具/Tool

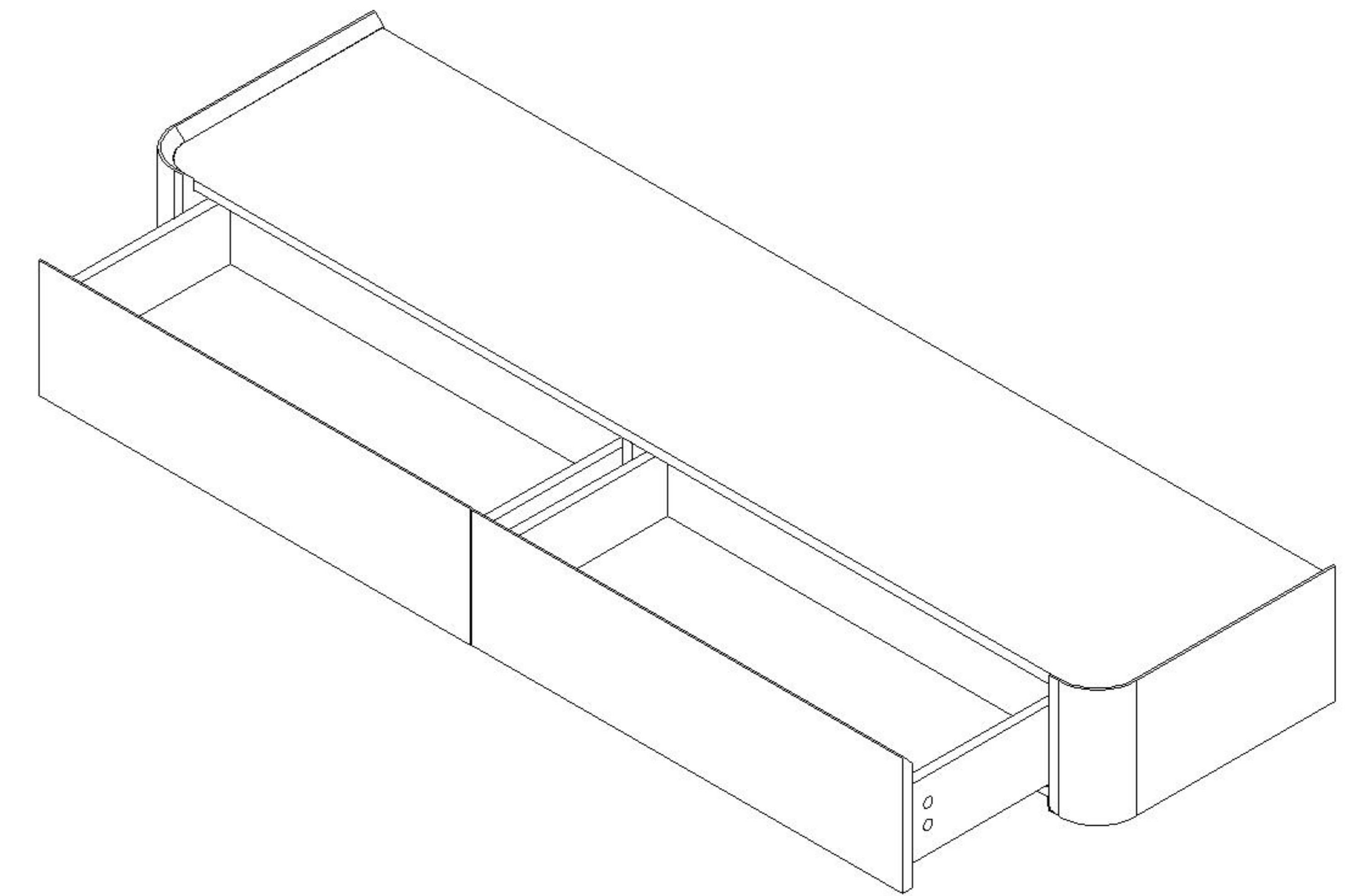


手电钻  
Hand electric drill

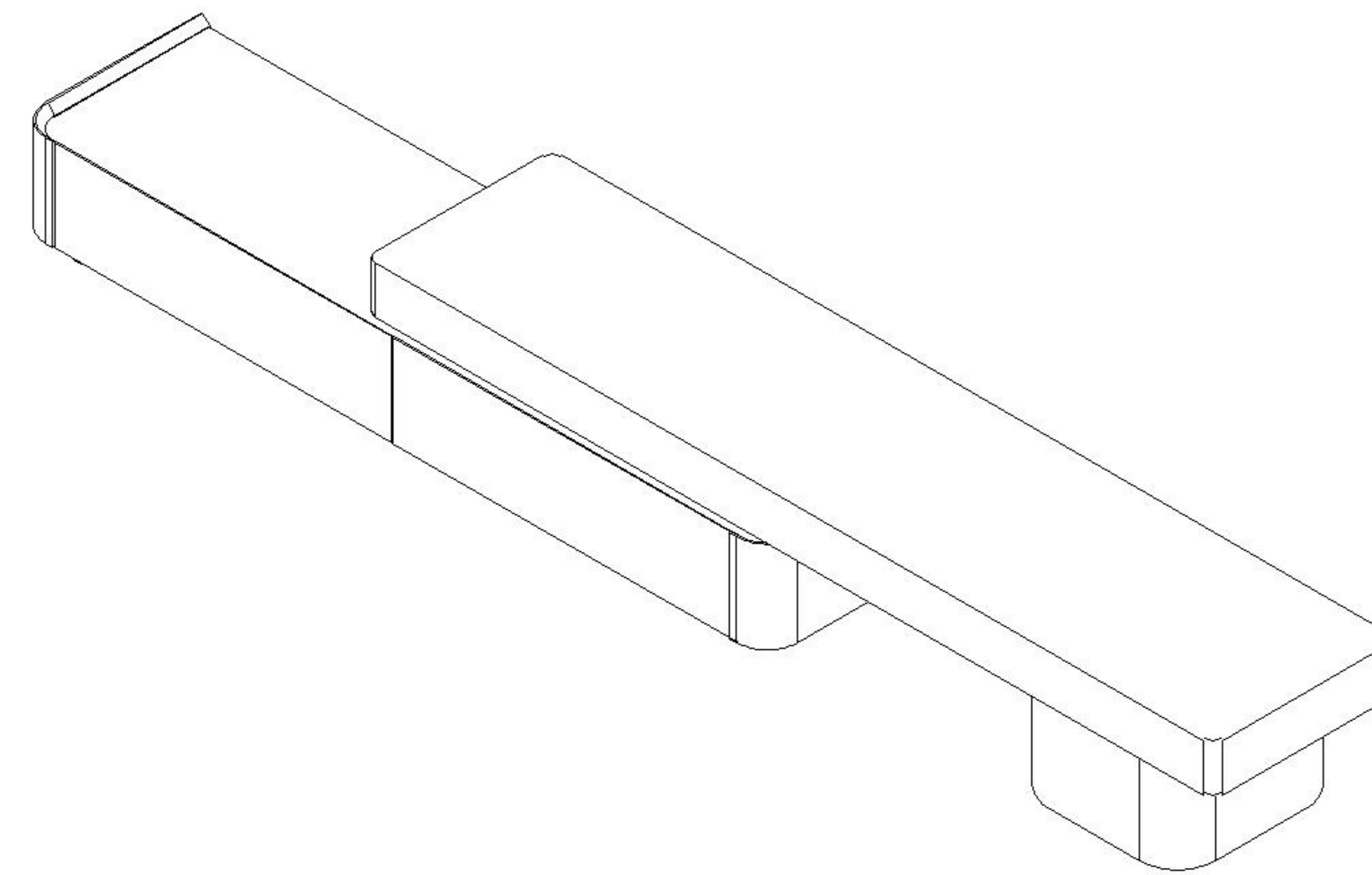
十字螺丝刀  
Phillips screwdriver



▶将STEP4安装好的柜体翻转，用五金H将部件8安装在部件10上，再贴好五金J  
Flip the cabinet with STEP4 installed, use hardware H to install component 8 on component 10, and then attach hardware J



▶将STEP2安装好的抽屉对齐推入对应位置  
Align the drawers installed in STEP2 and push them into the corresponding positions



▶将STEP1安装好的柜体摆放在STEP6上，组装完成  
Place the cabinet installed in STEP1 on STEP6 and complete the assembly