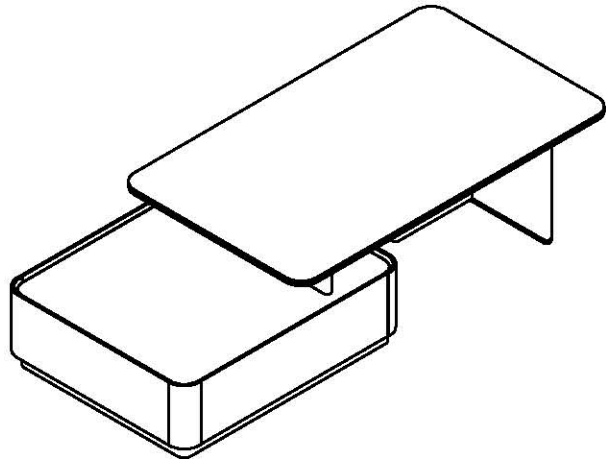
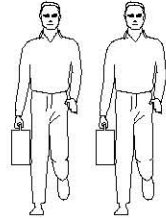
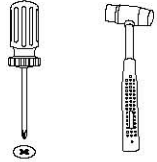


LINSY 林氏家居

安装示意图/ Assembly Instruction

产品名称 Model NO.	LS883L1-A
产品规格 Specification	1200-1500*650*380mm
安装工具 Tool	安装人数 Installer



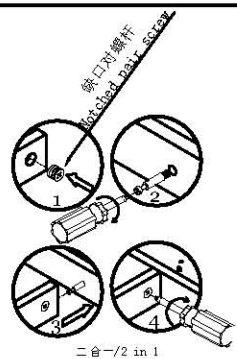
五金表/Hardware list

<p>(A) *9 斜边十字螺杆 (M6*35) bevel cross screw- (M6*30mm) colored zinc</p>	<p>(B) *22 大二合一锁饼 two-in-one (diameter 15mm) large lock e</p>	<p>(C) *22 中二合一杆 (6*35) (diameter 7*28mm) Two in one</p>	<p>(D) *2 10°托底滑轨 Bottom slide 10°</p>
<p>(E) *24 自攻螺丝-(M3.5*14) Self-tapping screw-(M 3.5*14mm) colored zinc</p>	<p>(F) *16 自攻螺丝-(M4*40) Self-tapping screw-(M 4*40mm) colored zinc</p>	<p>(G) *8 双面垫 Double-sided pad</p>	<p>(H) *8 木榫-(8*30mm) wood tenon-(diameter 8*30mm)</p>
<p>(I) *2 毛垫 Wool Pad</p>	<p>(J) *9 脚钉-(14*3mm) 白色 Foot nails-(diameter 14*3mm) white</p>		

部件表/Parts List

编号 NO.	名称 Name	规格 Specification	数量 QTY	材质 Material
1	面板 Top panel	1100*650*18	1	三胺油漆板 Melamine paint pla
2	支撑板 Support Plate	590*95*25	1	三胺油漆板 Melamine paint pla
3	立柱1 post (one)	590*344*25	1	三胺油漆板 Melamine paint pla
4	立柱2 post (two)	344*294*25	1	三胺油漆板 Melamine paint pla
5	立柱3 post (three)	344*150*25	1	三胺油漆板 Melamine paint pla
6	二面板 Twopanel	606*606*15	1	三胺油漆板 Melamine paint pla
7	侧盒 Side Box	638*210*65	2	三胺油漆板 Melamine paint pla
8	格板 Plywood	508*182*15	1	三胺板 Melamine boar
9	底座 base	580*580*50	1	三胺板 Melamine boar
10	抽面 Extraction	504*210*15	2	三胺板 Melamine boar
11	抽屉左侧板 Drawer side board(L)	251*118*15	2	松木 pine wood
12	抽屉右侧板 Drawer side board(R)	251*118*15	2	松木 pine wood
13	抽屉后板 Drawer Back panel	465*112*15	2	松木 pine wood
14	抽屉底板 Drawer Bottom panel	476*246*4.5	2	三胺板 Melamine boar
15	超晶玻璃 super crystal glass	1103*653*8	1	玻璃 Glass
16				
17				
18				
19				
21				
22				
23				
24				
25				

安装方法 / Installation method



安装步骤:

1、连接立柱1和立柱3，依次连接立柱2和1。依次连接支撑板、立柱1、立柱2、立柱3
2、右侧盒与隔板、二面板、连接后连接左侧盒在与底座连接，安装滑轨。

3、抽帮与抽尾连接，在安装抽底，与抽面连接。

4、抽屉与柜体安装在一起，面板上粘上双面贴，放上玻璃安装完成。

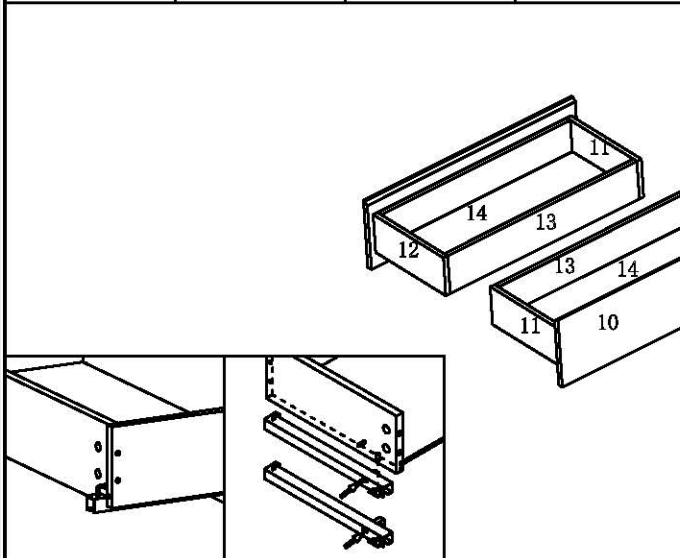
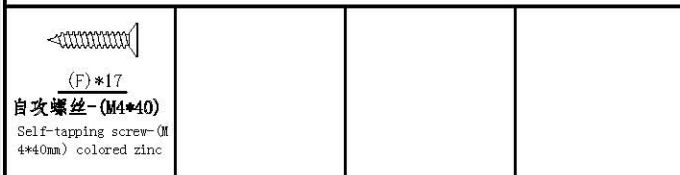
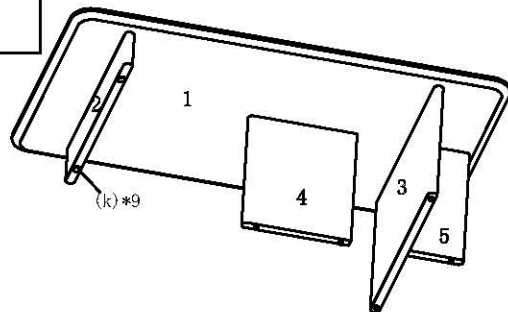
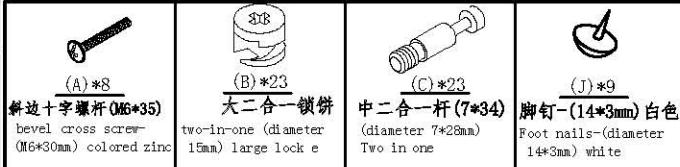
Installation steps:

1. Connect column 1 and column 3, and then connect column 2 and column 1. Connect support plate, column 1, column 2, column 3 in turn.

2. the right box and the grid plate, two panels, after the connection of the left box connected with the base, the installation of the slide rail.

3. draw the end and draw the connection, in the installation of draw the bottom, and draw the surface connection.

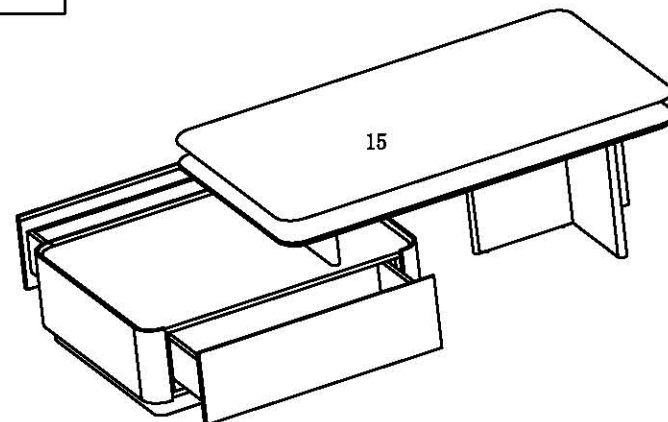
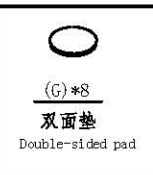
4. Drawers are installed together with cabinets, double-sided stickers are stuck on the panels, and the installation is completed by putting on the glass.



1



3



2

4