

LINSY 林氏家居

五金表/Hardware list

部件表/Parts List

安装示意图/Assembly Instruction

产品名称 Model NO.

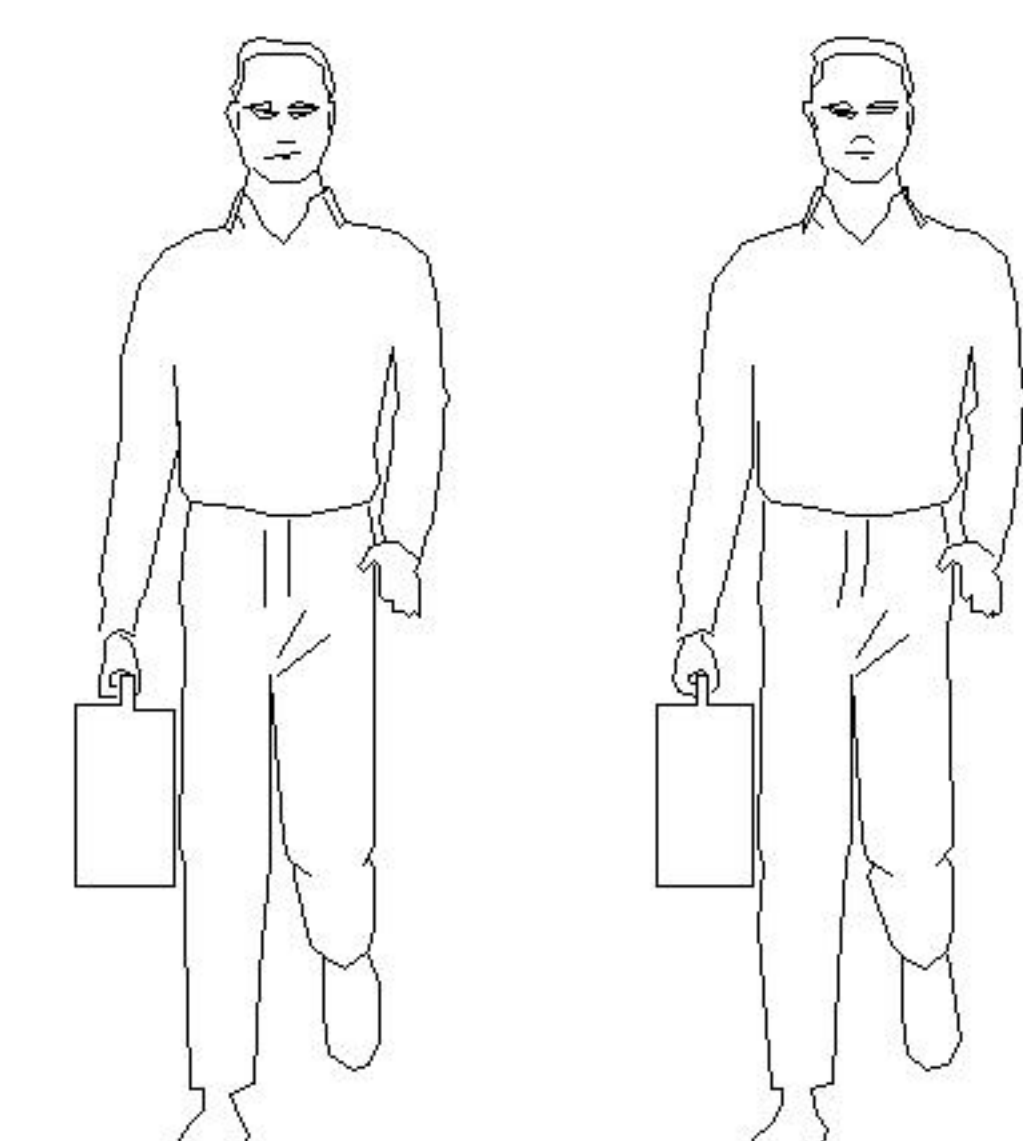
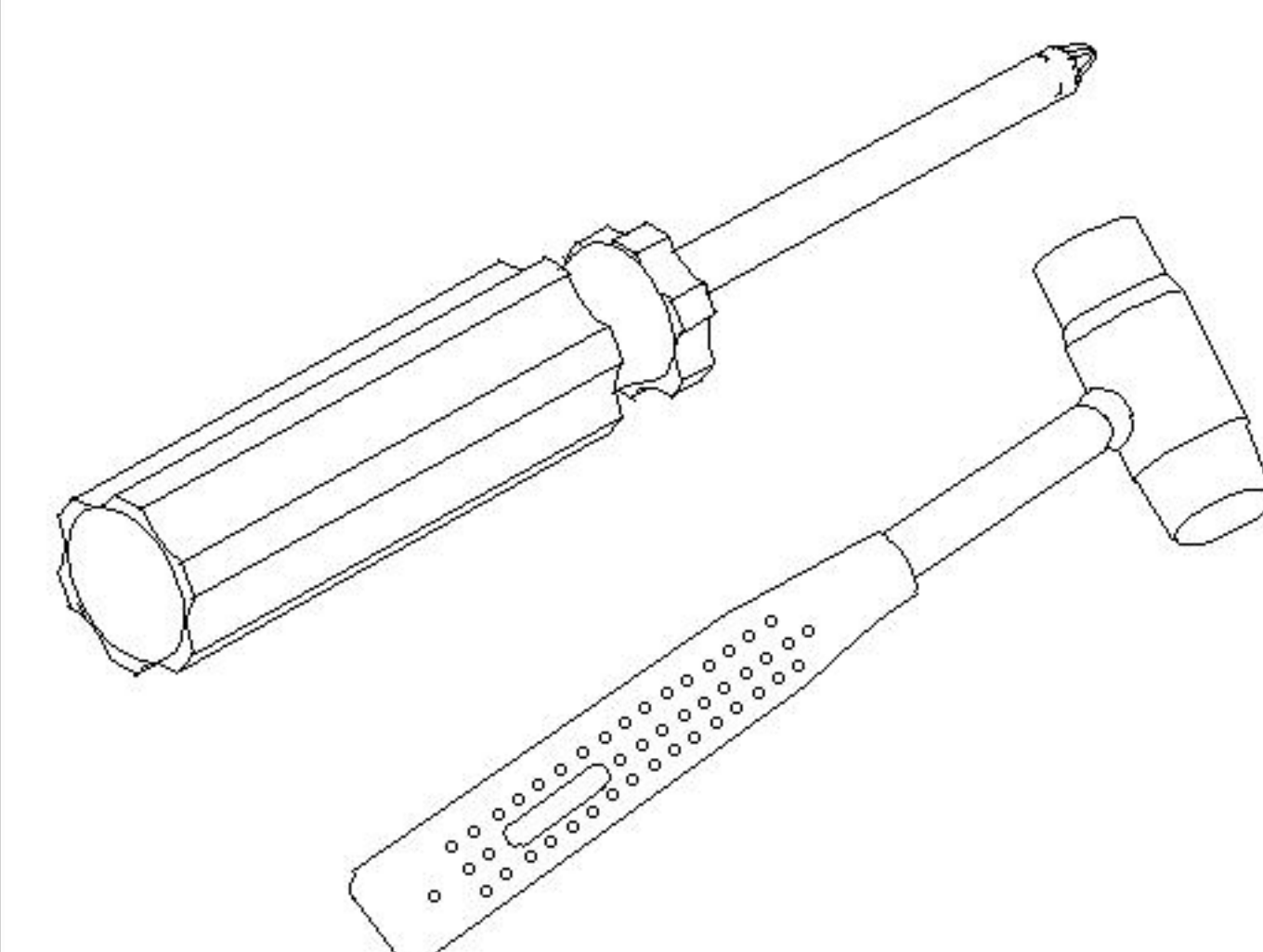
NU2T-A

产品规格 Specification

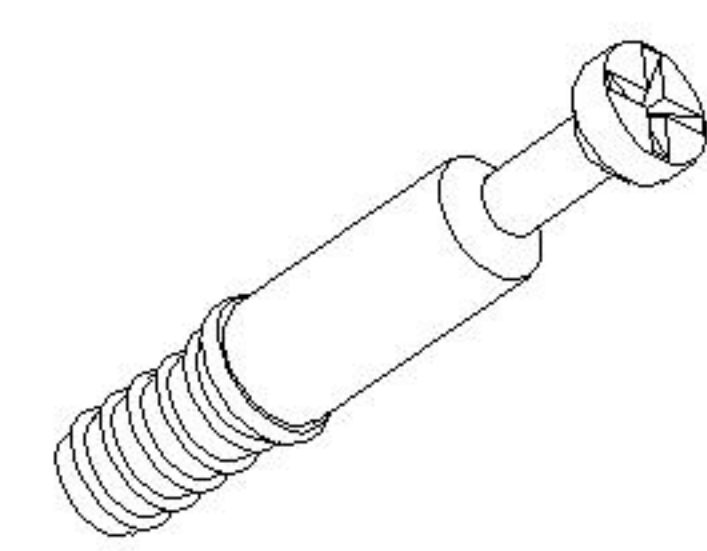
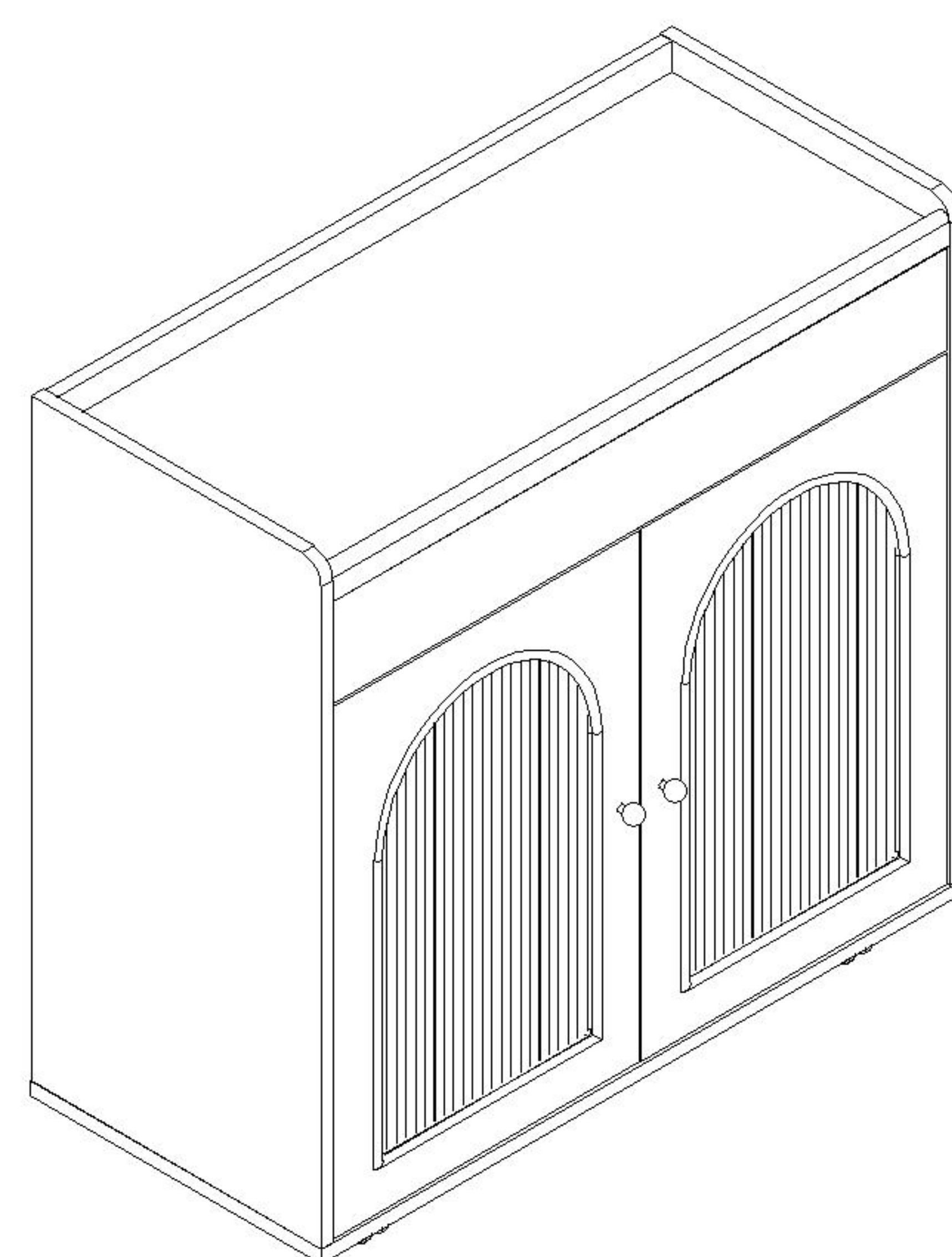
812*395*806mm

安装工具 Tool

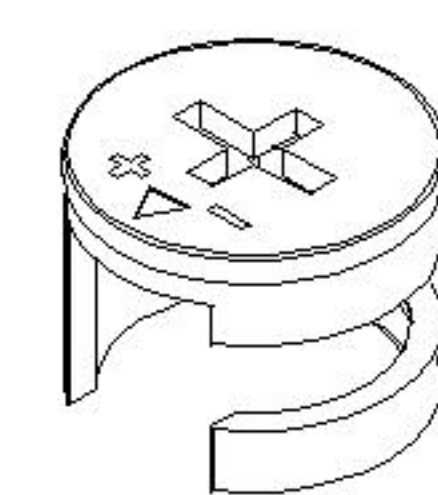
安装人数 Installer



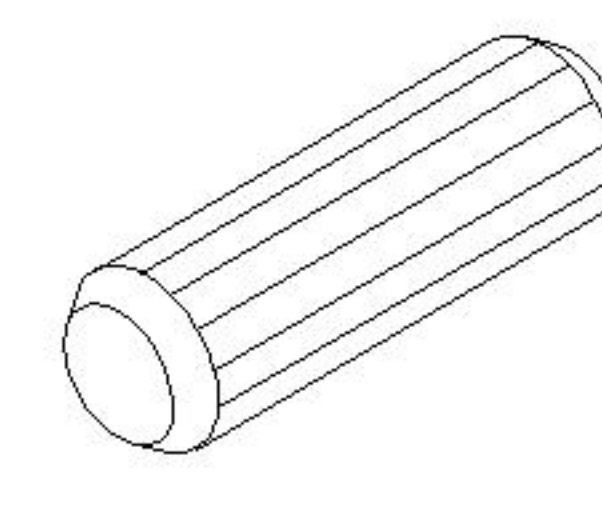
注：为保证设计效果，部分尺寸为定制尺寸，不影响使用。



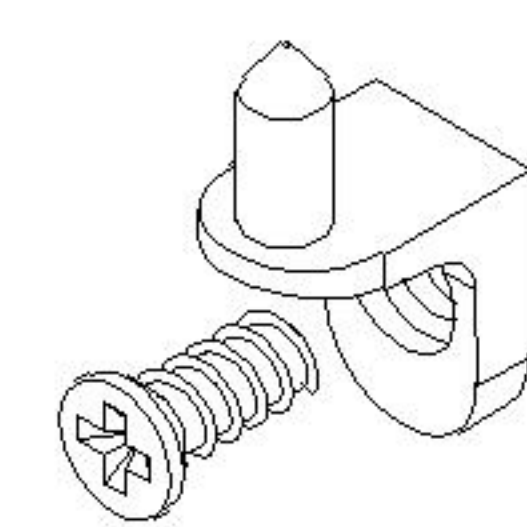
(A)*26
二合一螺杆
2-in-1-screw



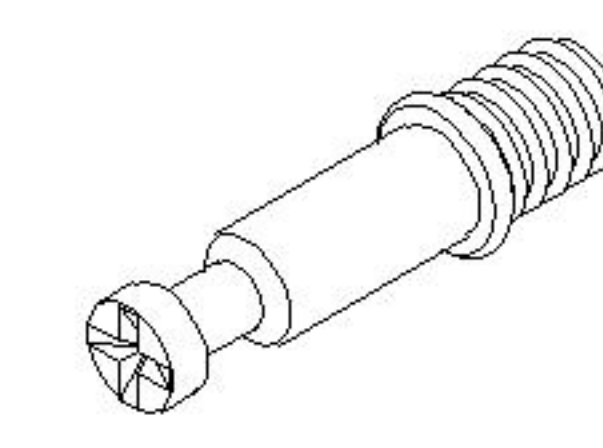
(B)*26
大三合一锁饼
3-in-1 large lock



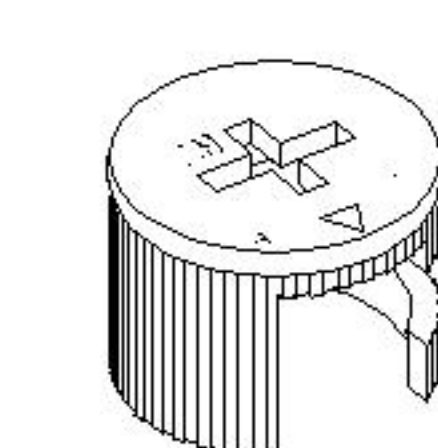
(C)*19
木榫Ø8x30mm
Wood tenon



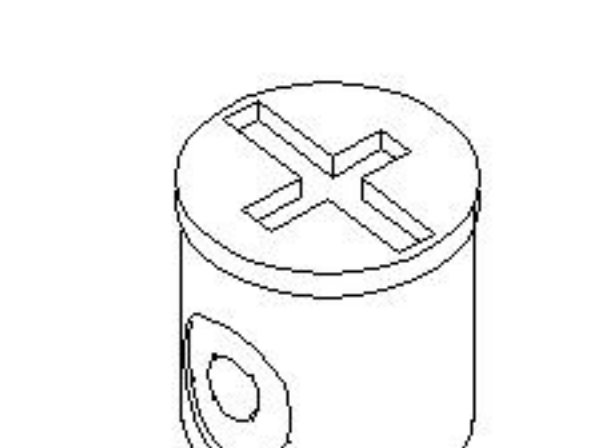
(D)*8
层板托5mm
shelf support



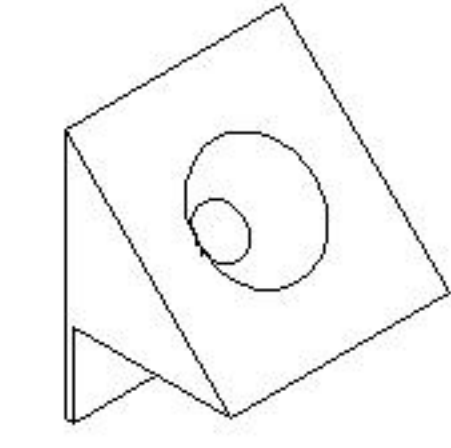
(E)*6
小二合一杆
2-in-1 small rod



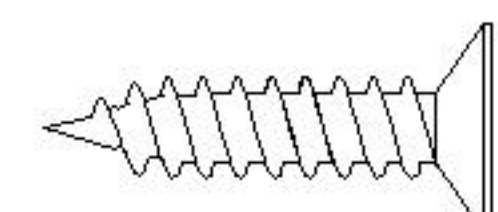
(F)*6
小三合一锁饼
3-in-1 small lock



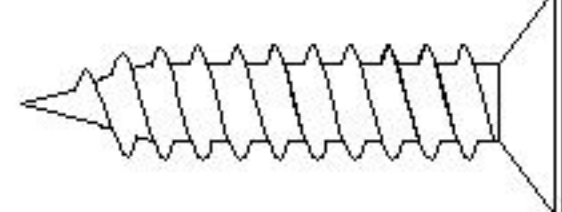
(G)*6
塑料螺母
Plastic Nut



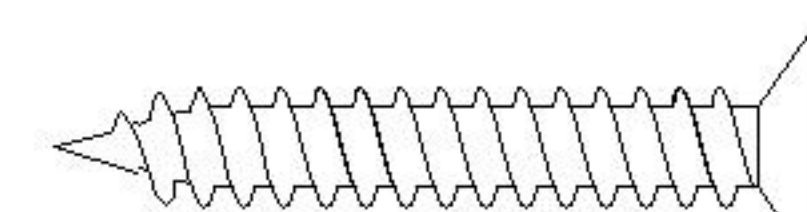
(H)*8
背板扣
White buckle



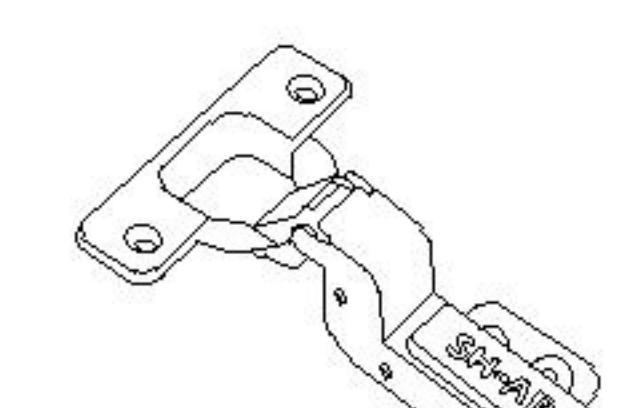
(I)*27
白攻螺丝M3.5*12mm
Tapping screw



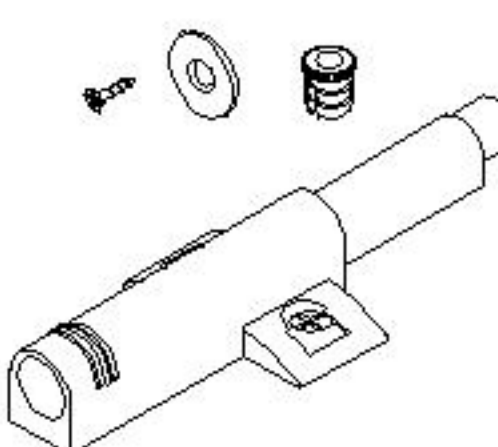
(J)*8
白攻螺丝M3.5*16mm
Tapping screw



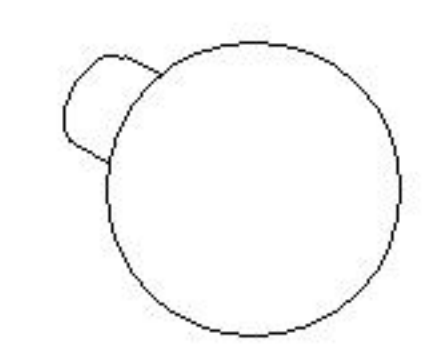
(K)*6
白攻螺丝M4*10mm
Tapping screw



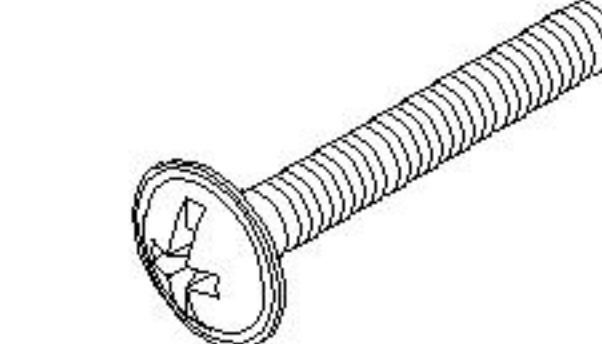
(L)*4
缓冲门铰大弯-杯径Ø35
Great bend hinge



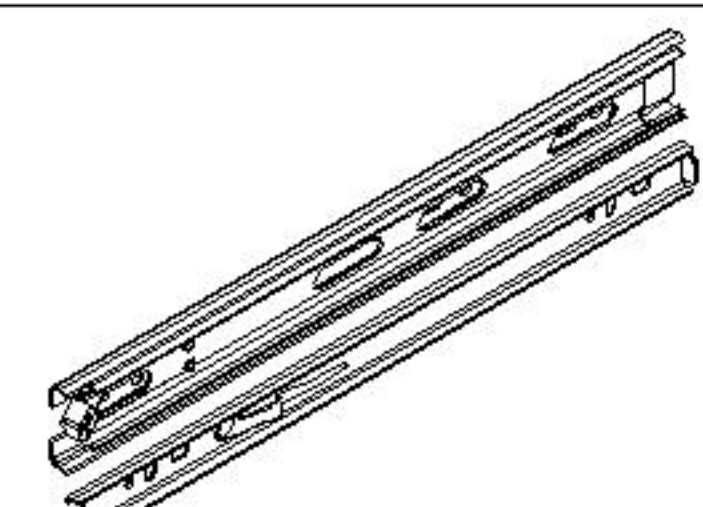
(M)*1
反弹器
Rebounder



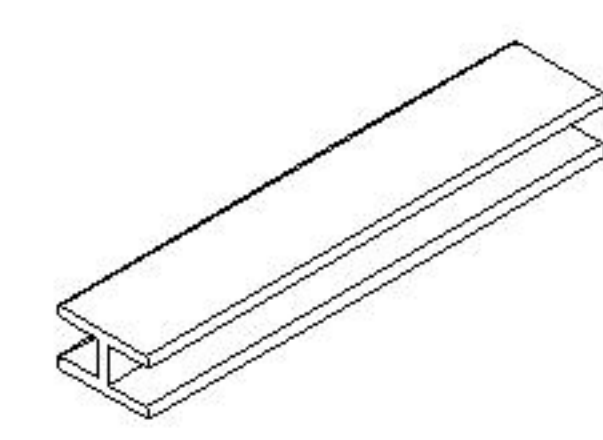
(N)*2
拉手
handle



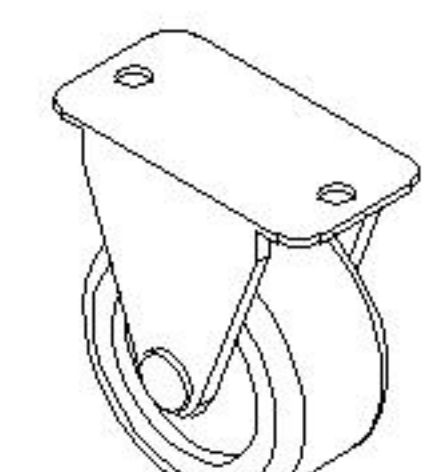
(O)*2
拉手螺丝-M4x22mm
Pulling screw



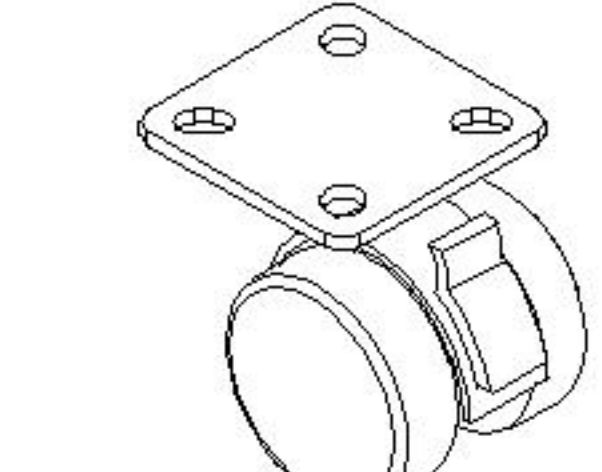
(P)*1
三节滚珠导轨10"
Three-section rail



(Q)*1
夹板条l=582
Splint strip



(R)*2
轮子
wheel

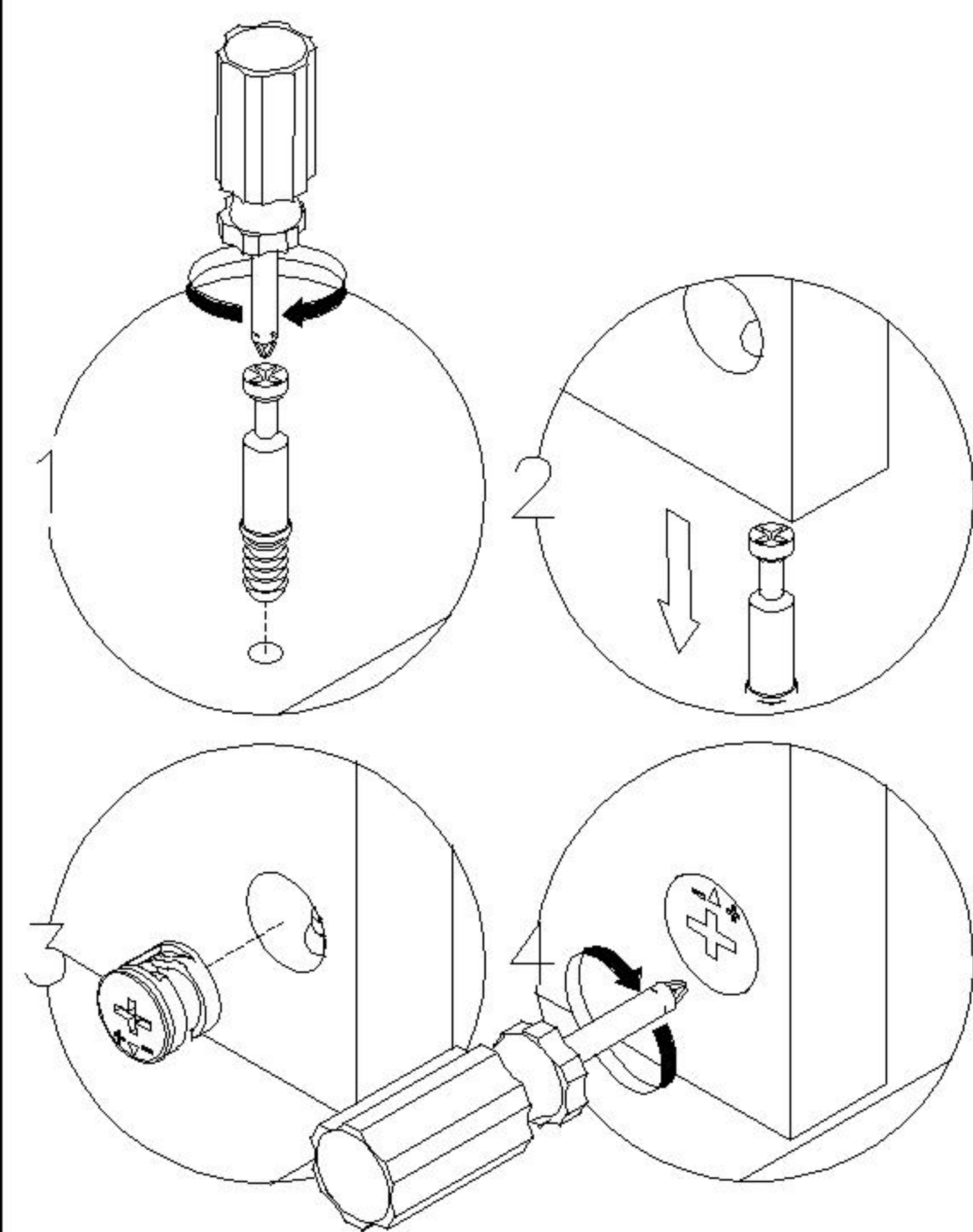


(S)*2
轮子
wheel

| 编号NO. | 名称Name | 规格(mm) Specification | 数量QTY | 材质Material |
|-------|----------------------------------|-------------------------|-------|--------------------------------------|
| ① | 右侧板Side board(R) | 750*368*15 | 1 | 三胺板 Melamine |
| ② | 左侧板Side board(L) | 750*368*15 | 1 | 三胺板 Melamine |
| ③ | 中侧板Middle side board | 584*326*15 | 1 | 三胺板 Melamine |
| ④ | 面板Top panel | 780*333*15 | 1 | 三胺板 Melamine |
| ⑤ | 上层板Upper shelf | 780*345*15 | 1 | 三胺板 Melamine |
| ⑥ | 前拉条Front brace | 780*35*18 | 1 | 三胺板 Melamine |
| ⑦ | 底板Bottom board | 812*369*15 | 1 | 三胺板 Melamine |
| ⑧ | 背拉条Back brace | 780*150*15 | 1 | 三胺板 Melamine |
| ⑨ | 背板Back board | 594*394*5 | 2 | 三胺板 Melamine |
| ⑩ | 活动层板Movable shelf | 381.5*324*15 | 2 | 三胺板 Melamine |
| ⑪ | 右门板组立 Door board assembly(R) | 582*387*23 | 1 | 三胺板+塑料板 Melamine+plastic sheeting |
| ⑫ | 左门板组立 Door board assembly(L) | 582*387*23 | 1 | 三胺板+塑料板 Melamine+plastic sheeting |
| ⑬ | 抽屉面板 Drawer's top panel | 776*112*18 | 1 | 三胺板 Melamine |
| ⑭ | 抽屉后板 Drawer's Back board | 730*78*12 | 1 | 三胺板 Melamine |
| ⑮ | 抽屉右侧板 Drawer's side board(R) | 295*78*12 | 1 | 三胺板 Melamine |
| ⑯ | 抽屉左侧板 Drawer's side board(L) | 295*78*12 | 1 | 三胺板 Melamine |
| ⑰ | 抽屉底托条 Drawer's bottom bracket | 281*58*12 | 1 | 三胺板 Melamine |
| ⑱ | 抽屉底板 Drawer's Bottom board | 740*291*5 | 1 | 三胺板 Melamine |
| ⑲ | | | | |
| ⑳ | | | | |
| ㉑ | | | | |
| ㉒ | | | | |
| ㉓ | | | | |
| ㉔ | | | | |
| ㉕ | | | | |

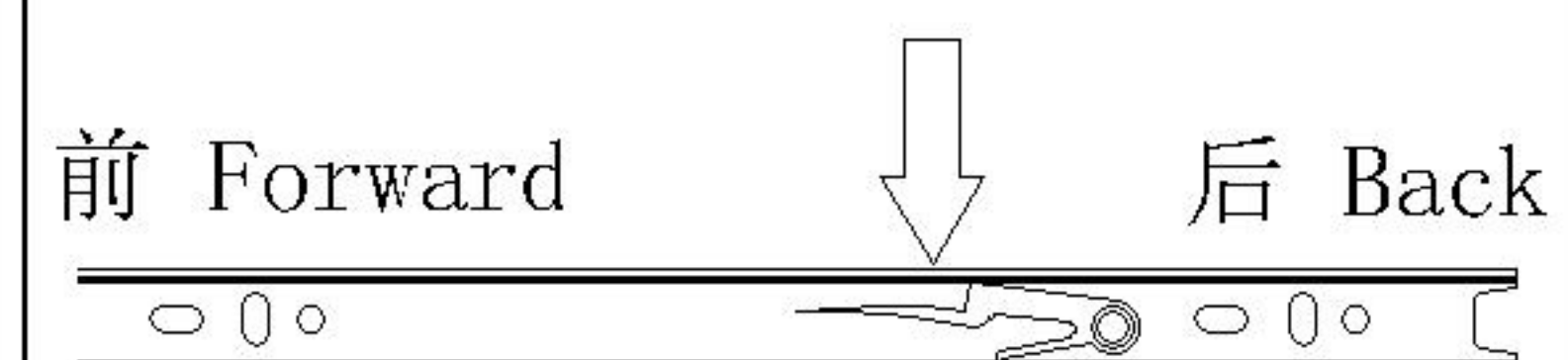
NU2T-A

安装方法 Installation method

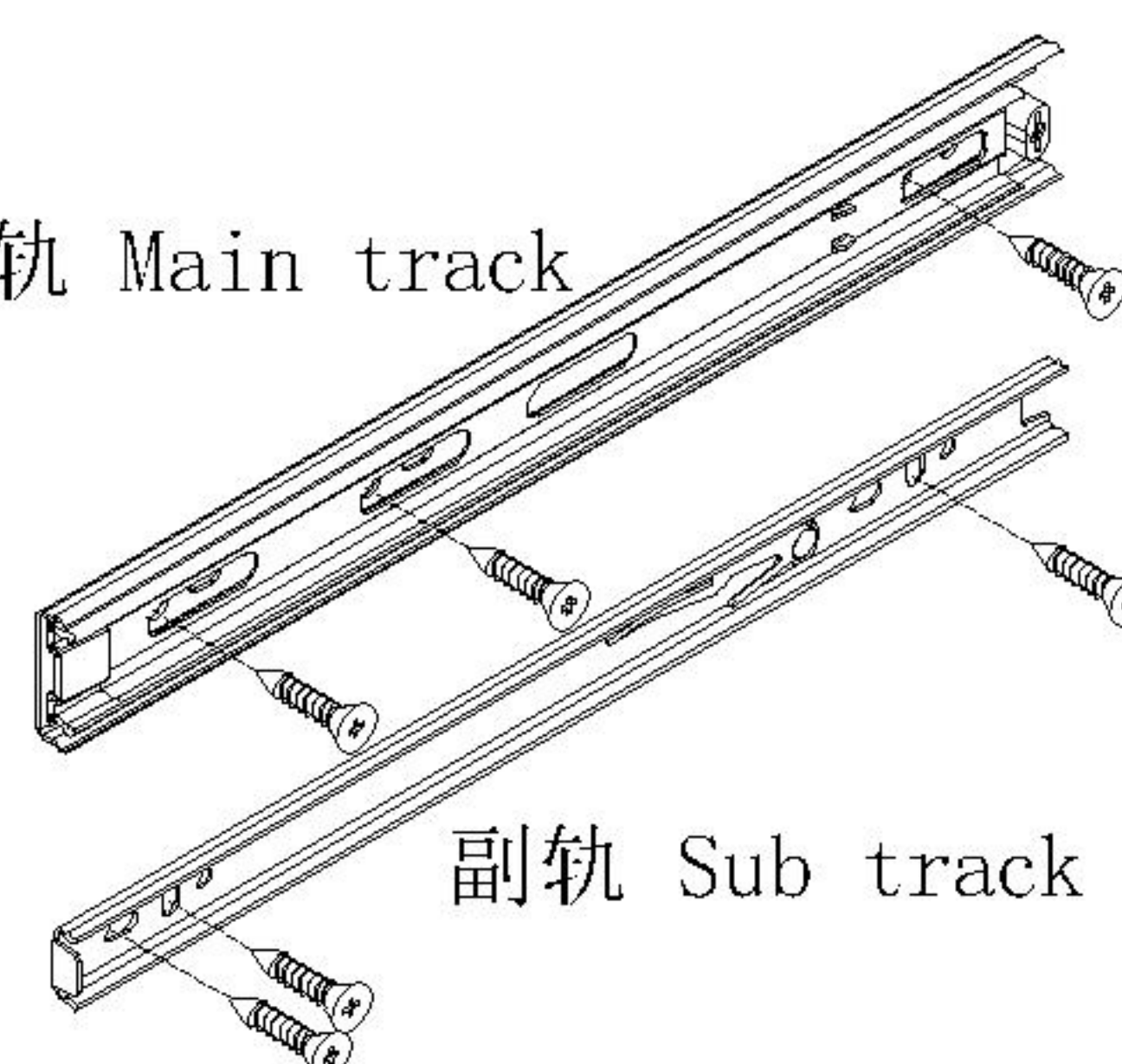


二合一two-in-one

阀门开关(下压为开)
Valve switch (press down to open)



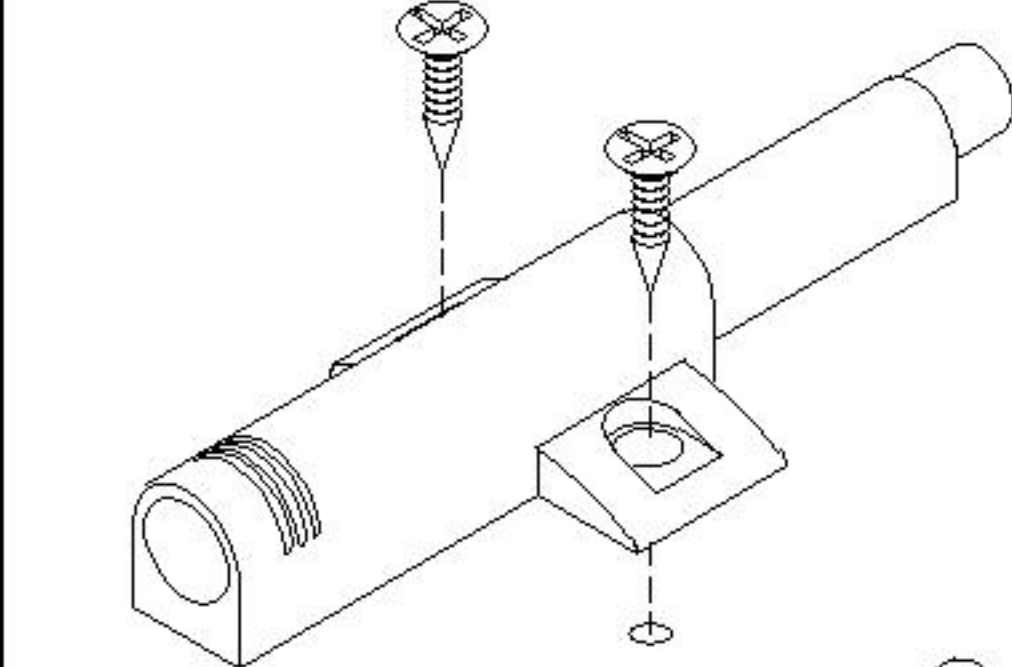
主轨 Main track



副轨 Sub track

三节滚珠导轨-10"
Three-section rail

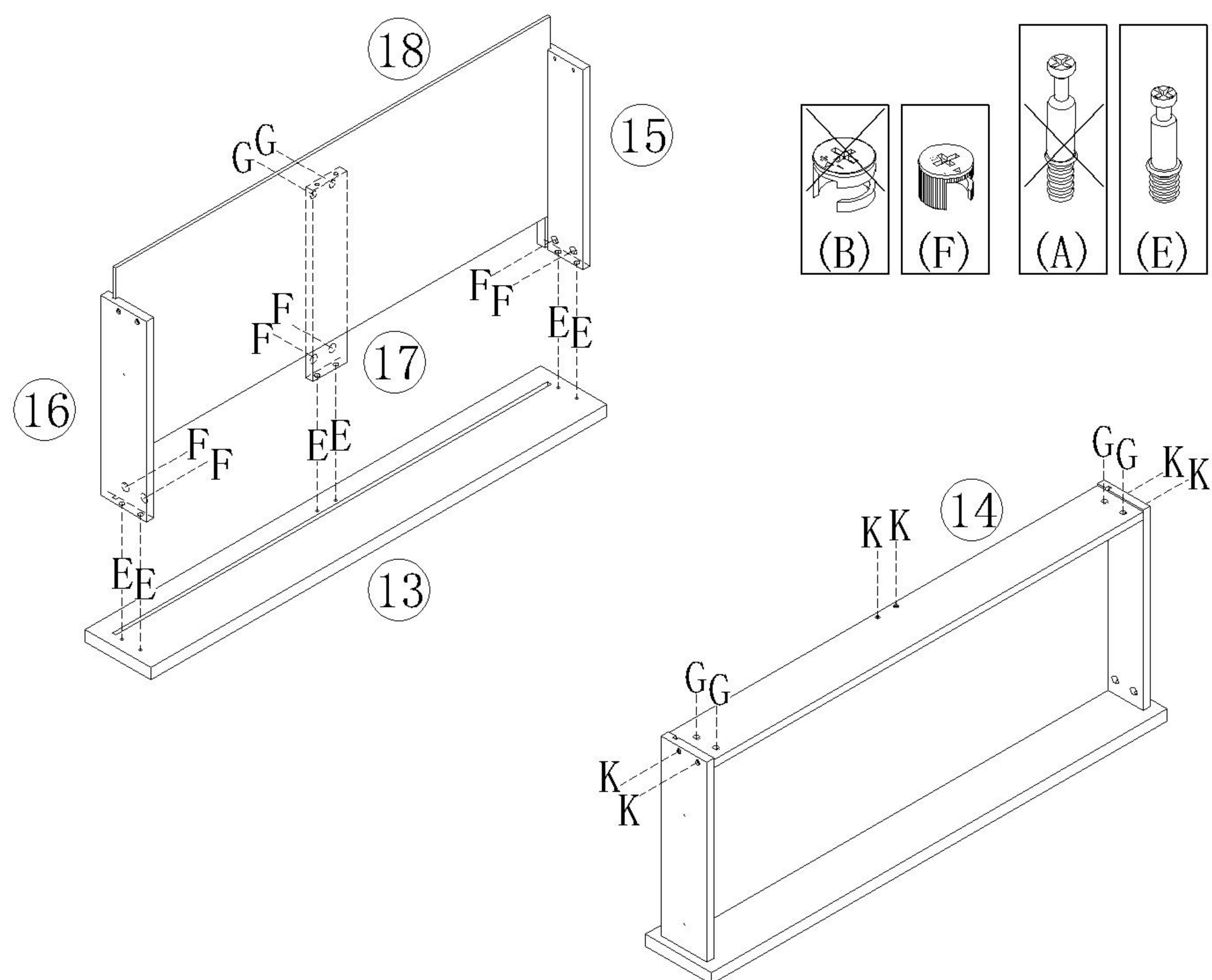
多余五金, 不需安装
Redundant hardware,
no installation required



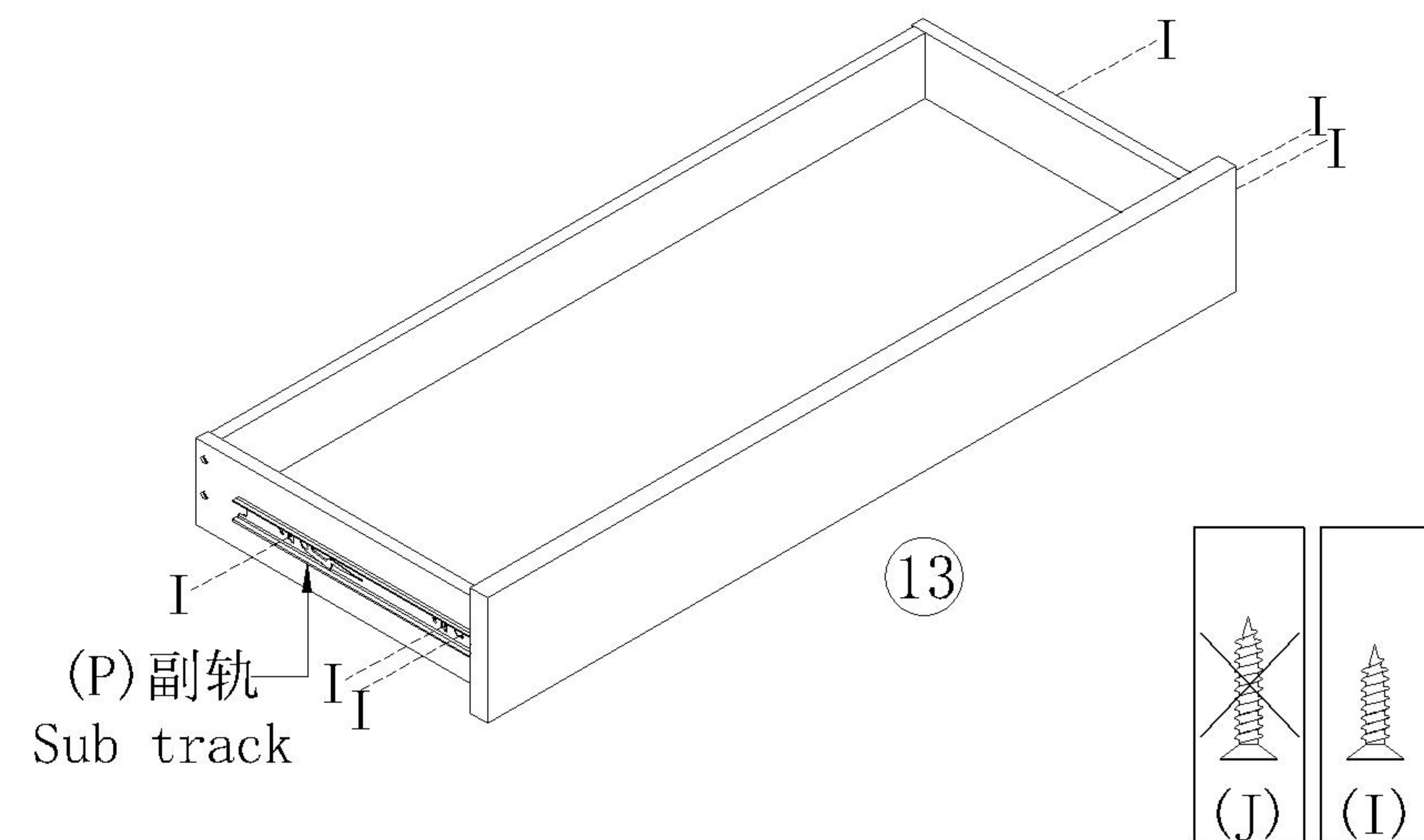
调节长度刚好顶住面板
Adjustment length
Just against the panel

反弹器
Rebounder

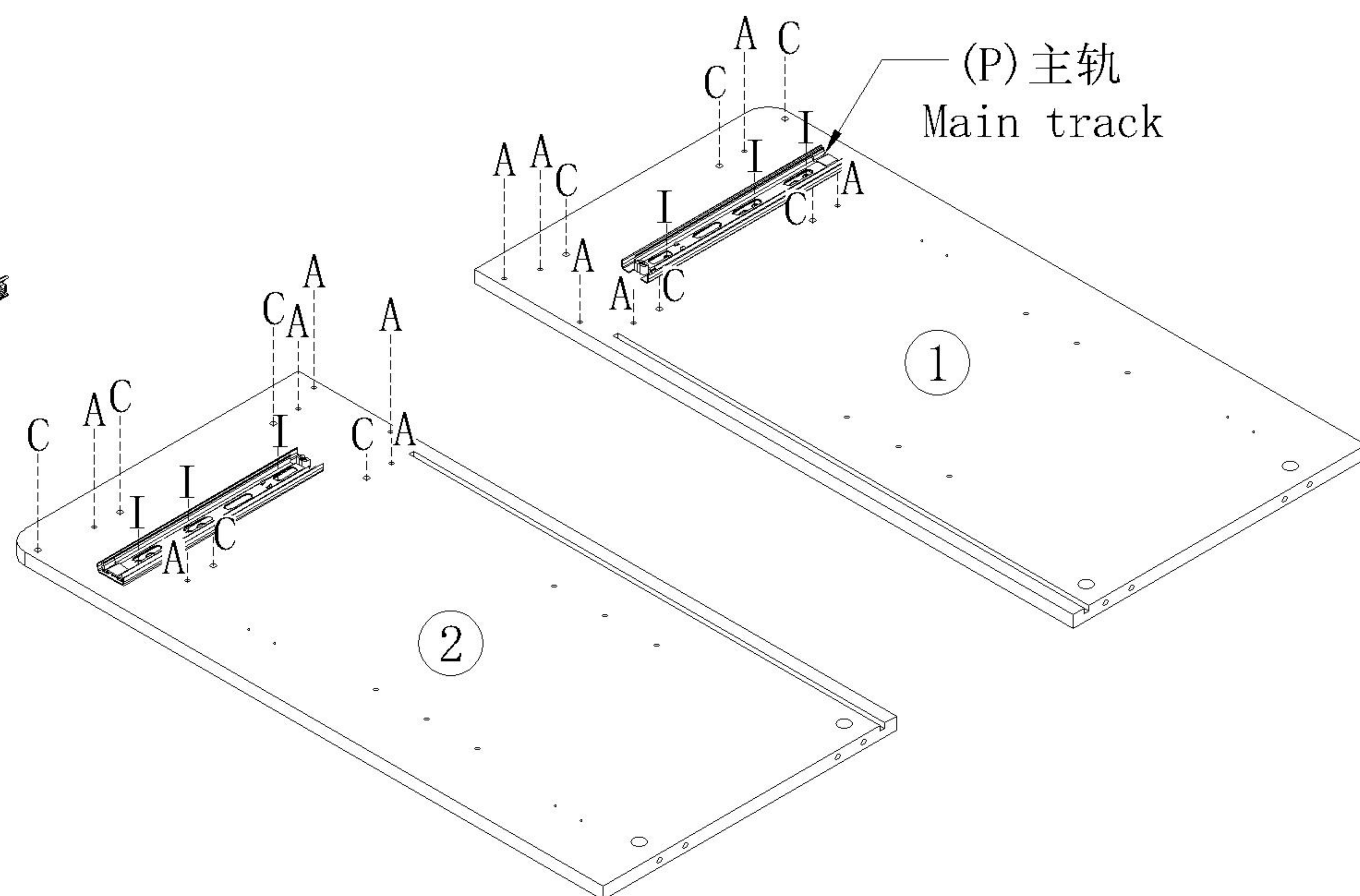
- (E)*6
- (F)*6
- (K)*6
- (G)*6



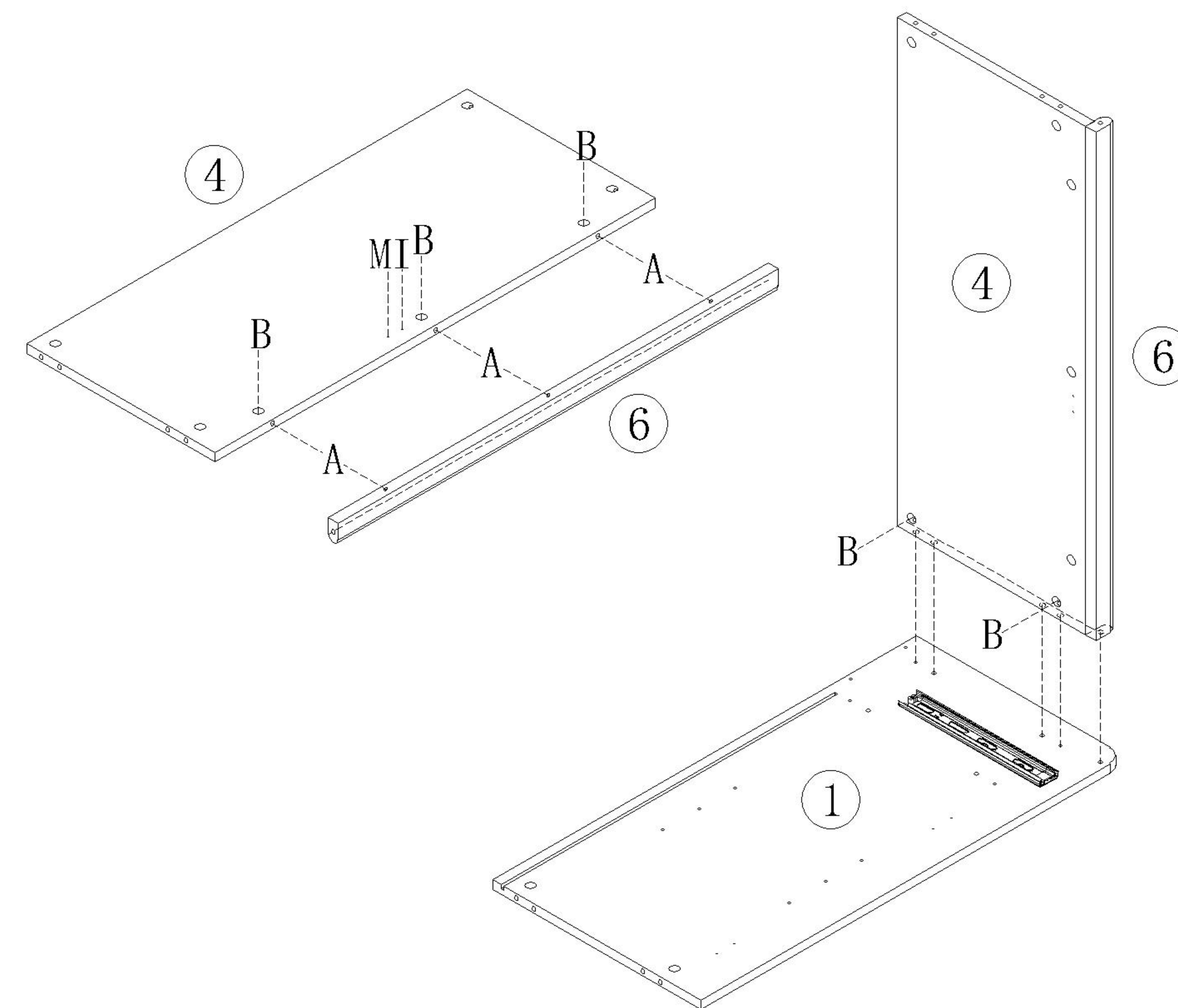
- (I)*6
- (P)*1



- (A)*12
- (C)*10
- (I)*6
- (P)*1

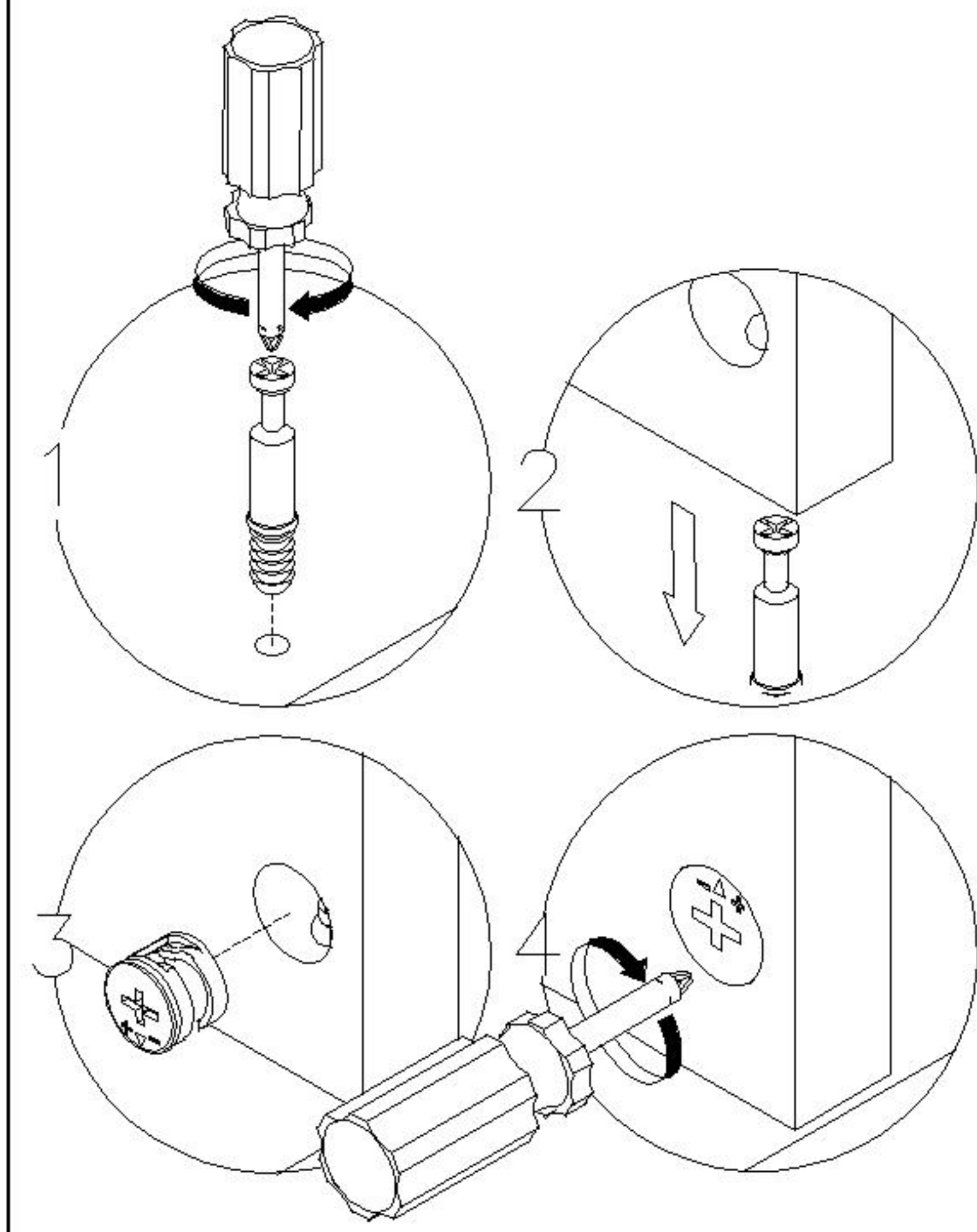


- (A)*3
- (B)*5
- (M)*1
- (I)*2

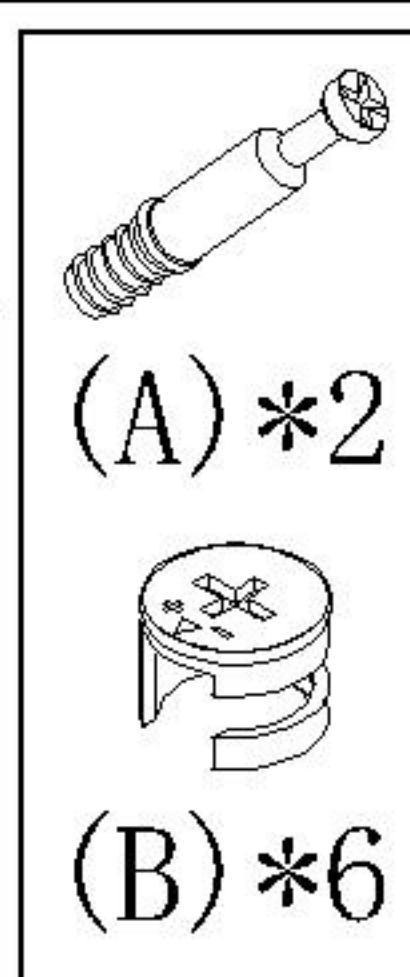


NU2T-A

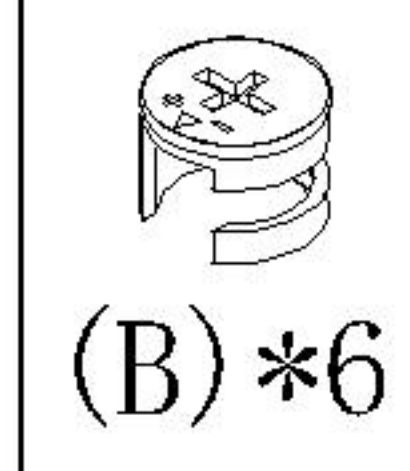
安装方法
Installation method



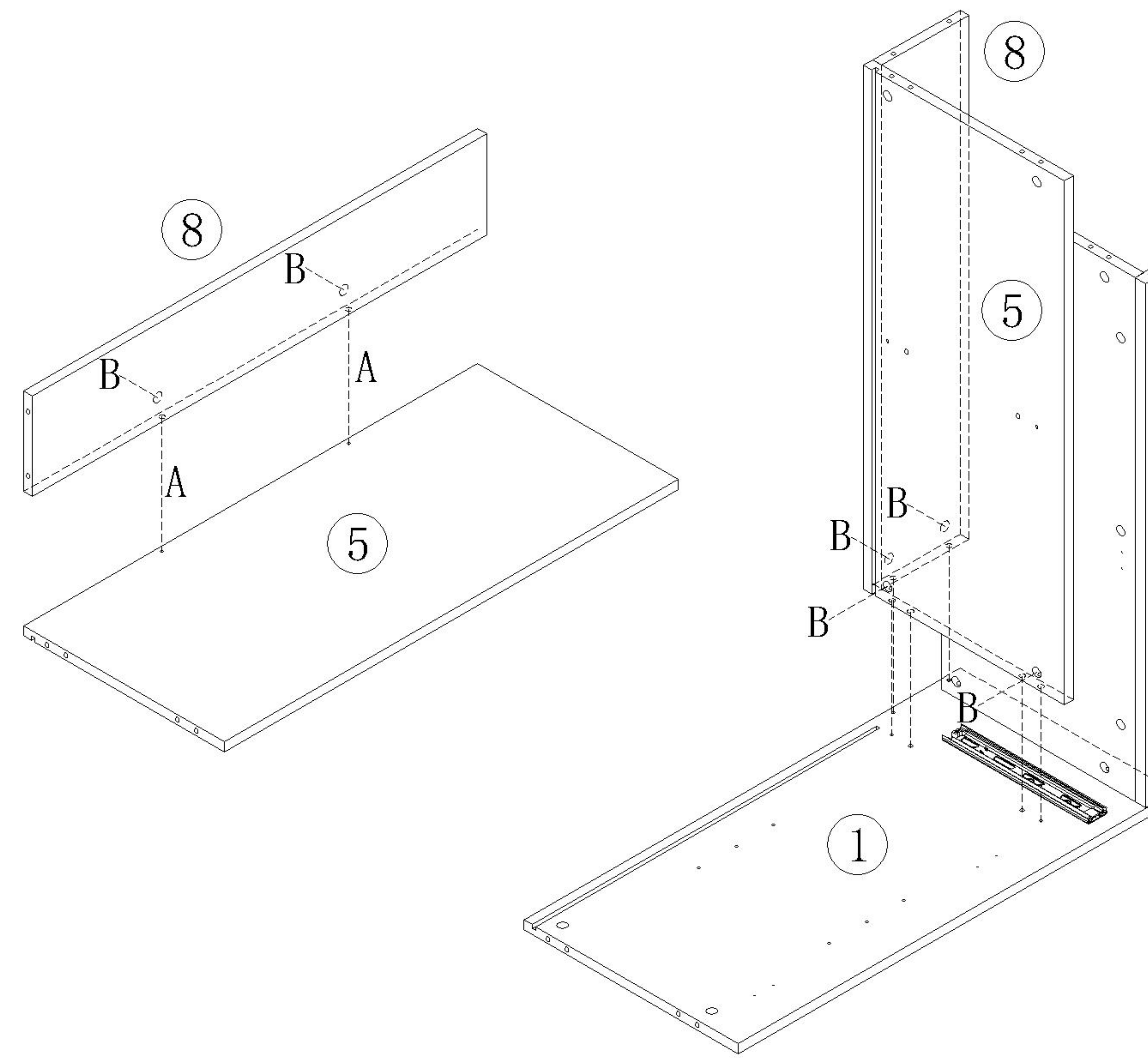
二合一two-in-one



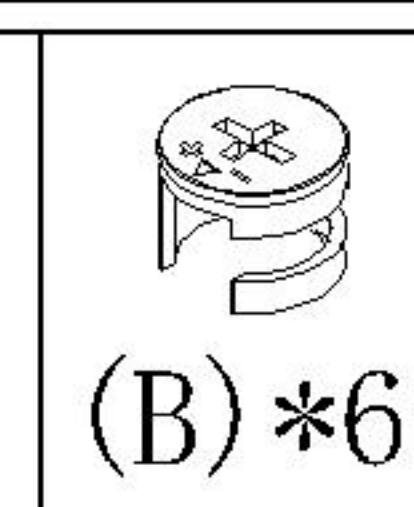
(A)*2



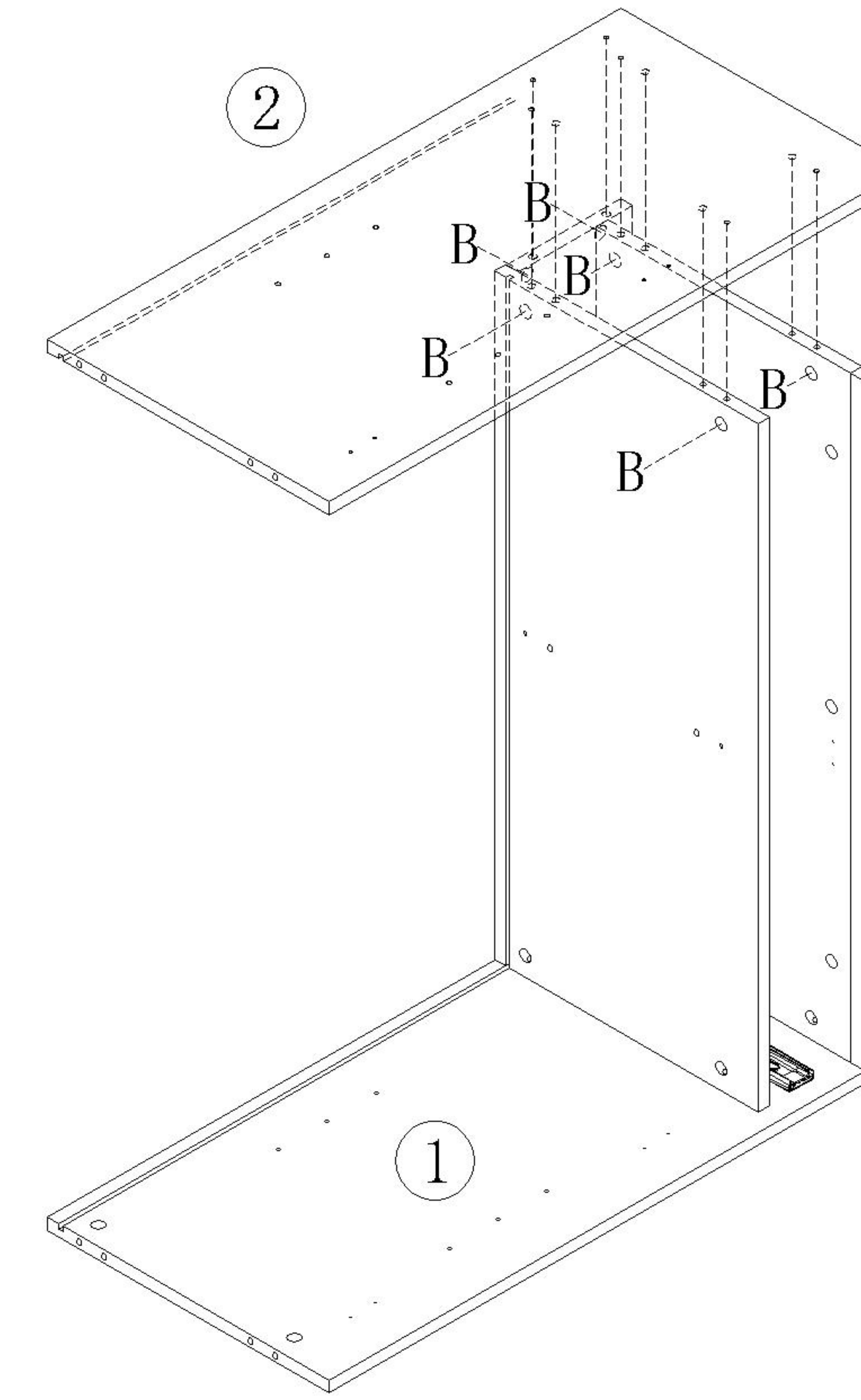
(B)*6



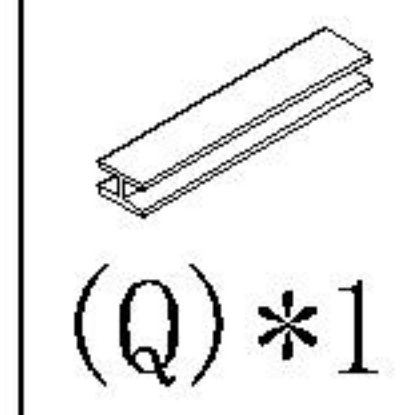
5



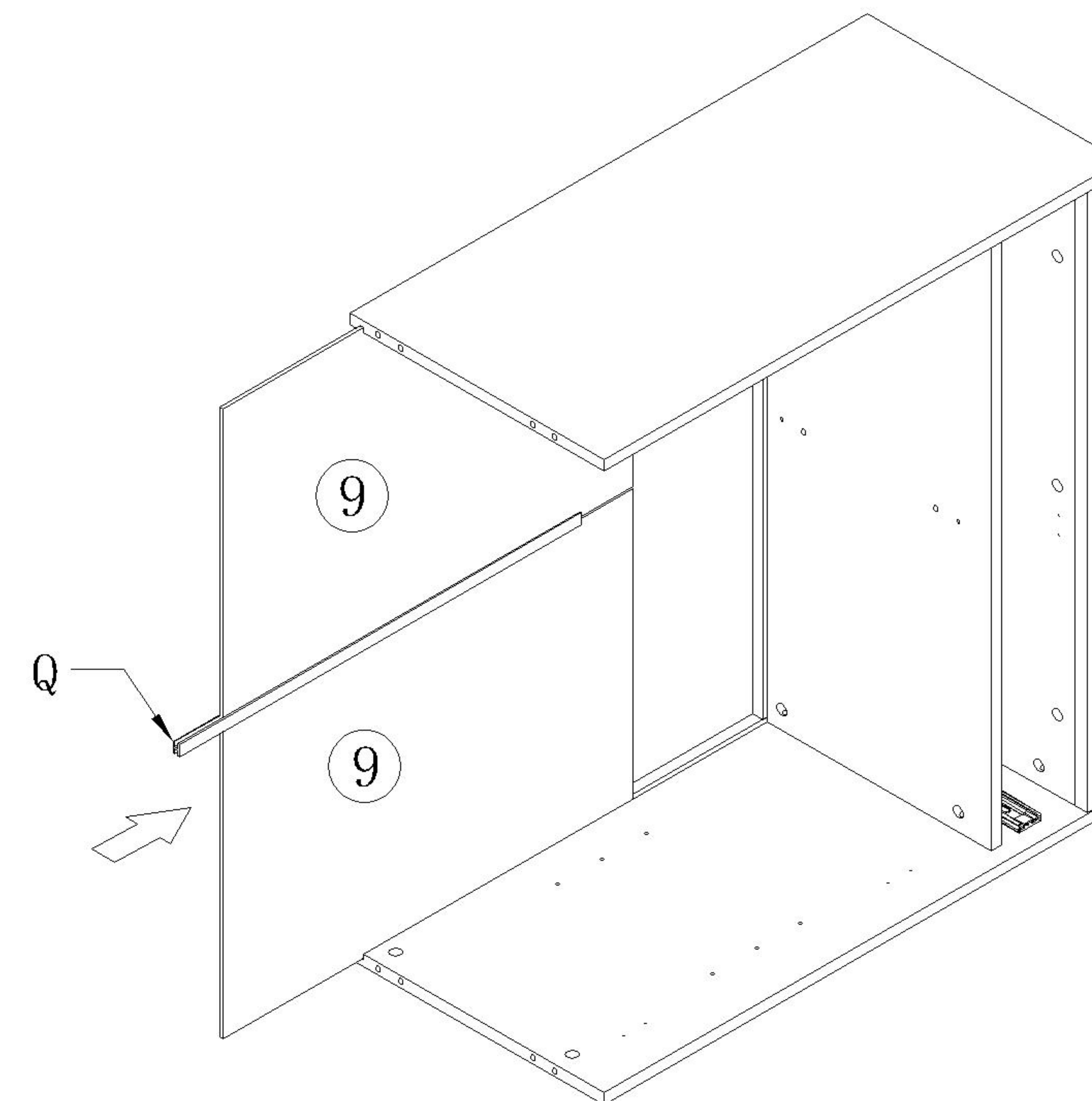
(B)*6



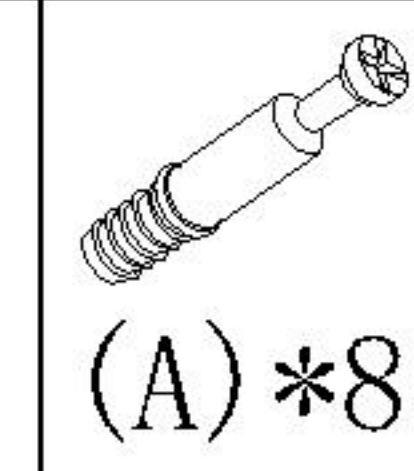
6



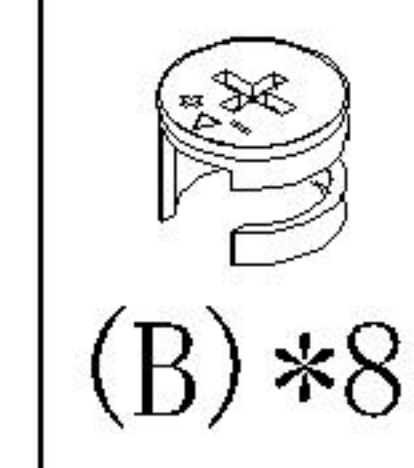
(Q)*1



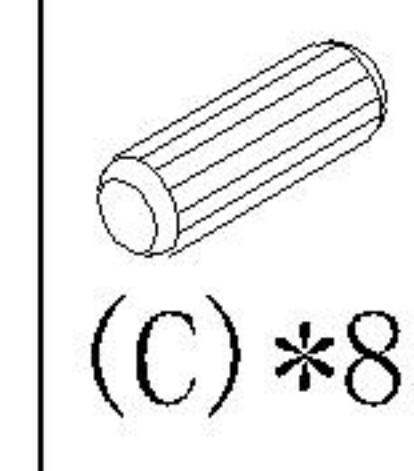
7



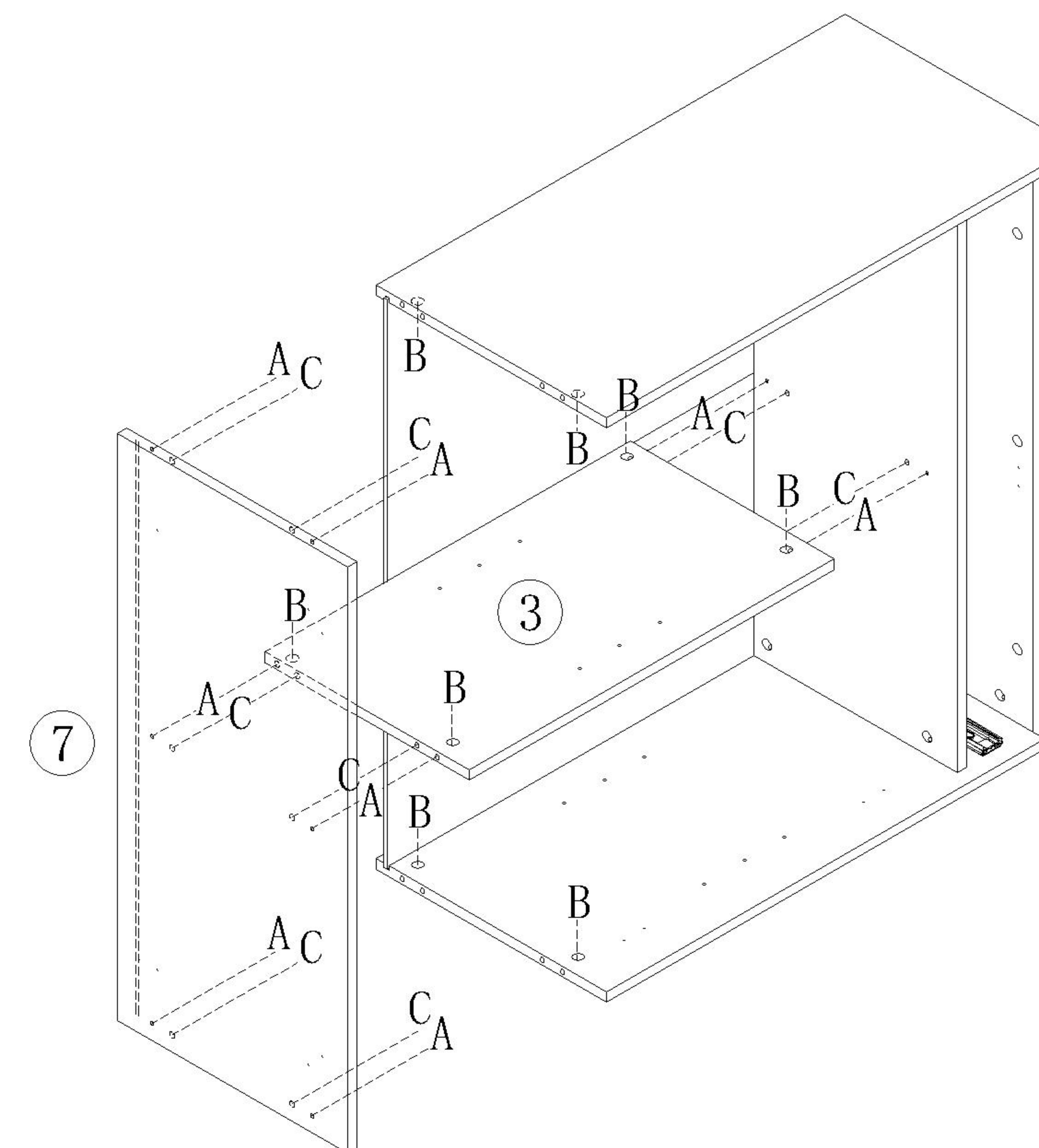
(A)*8



(B)*8



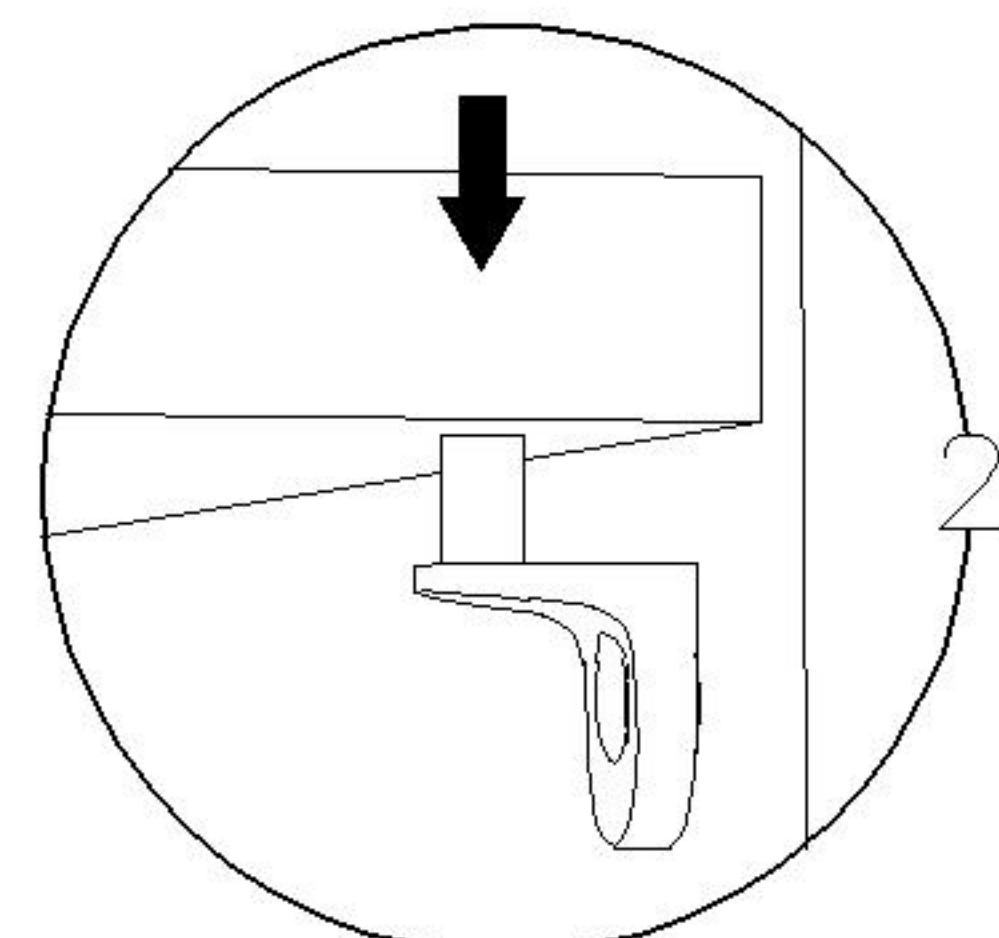
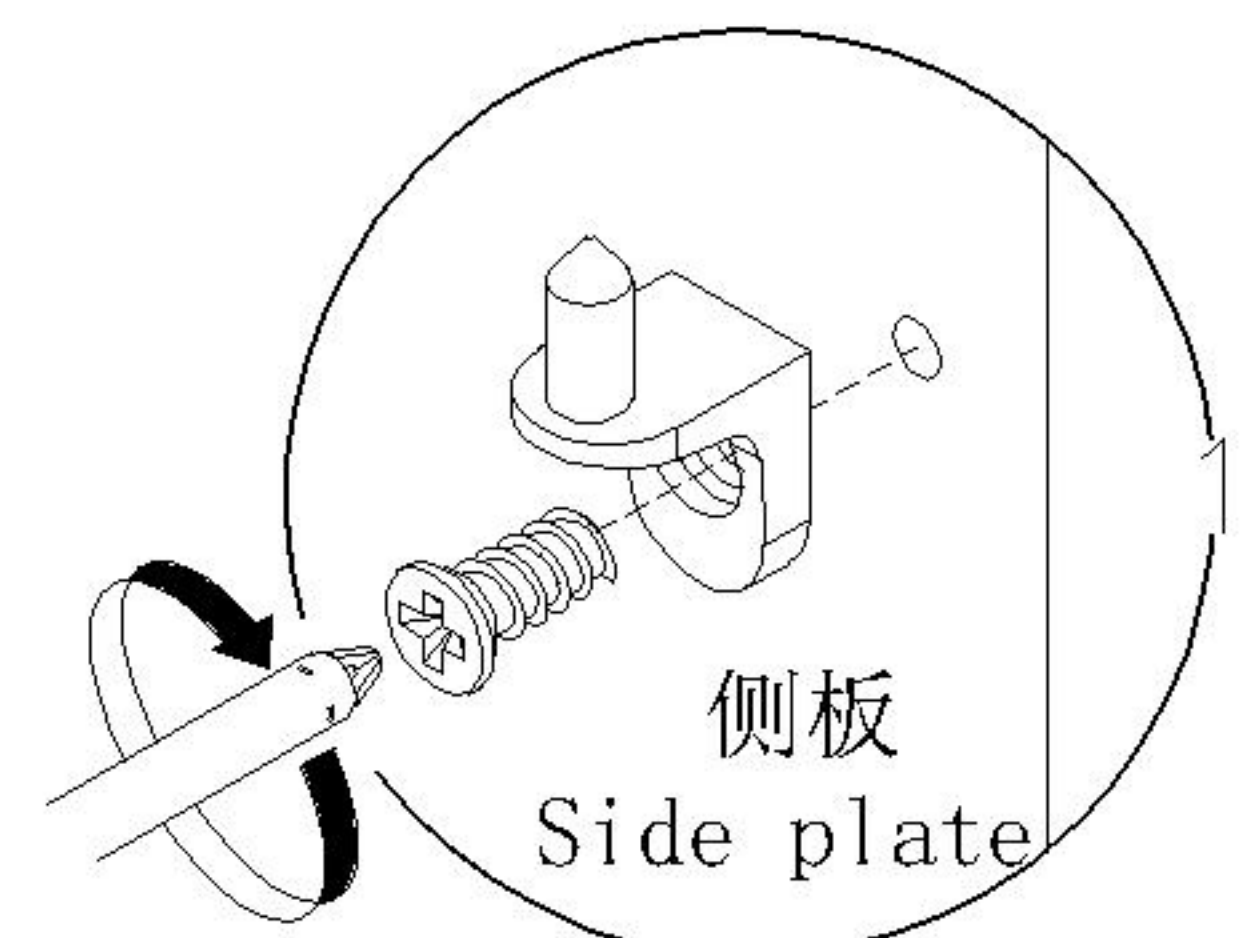
(C)*8



8

NU2T-A

安装方法 Installation method

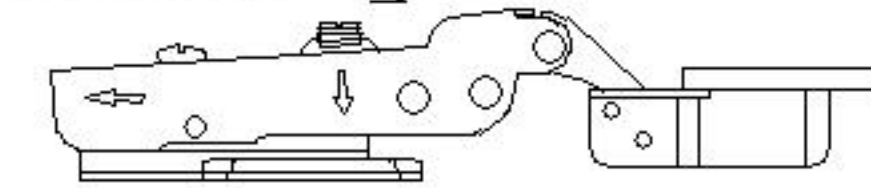


层板托5mm
shelf support

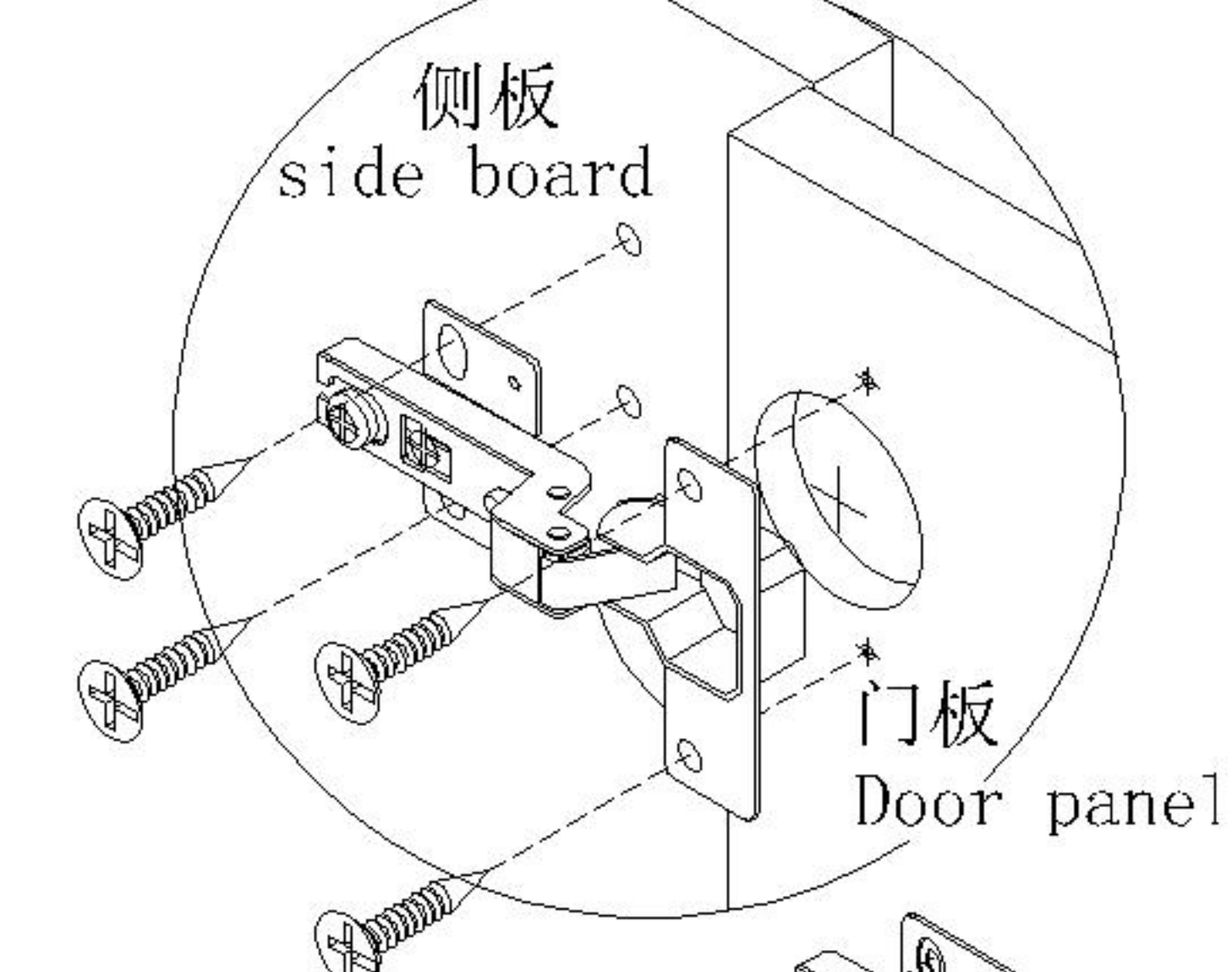
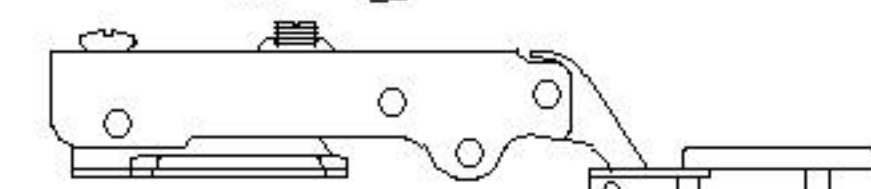
大弯big bend



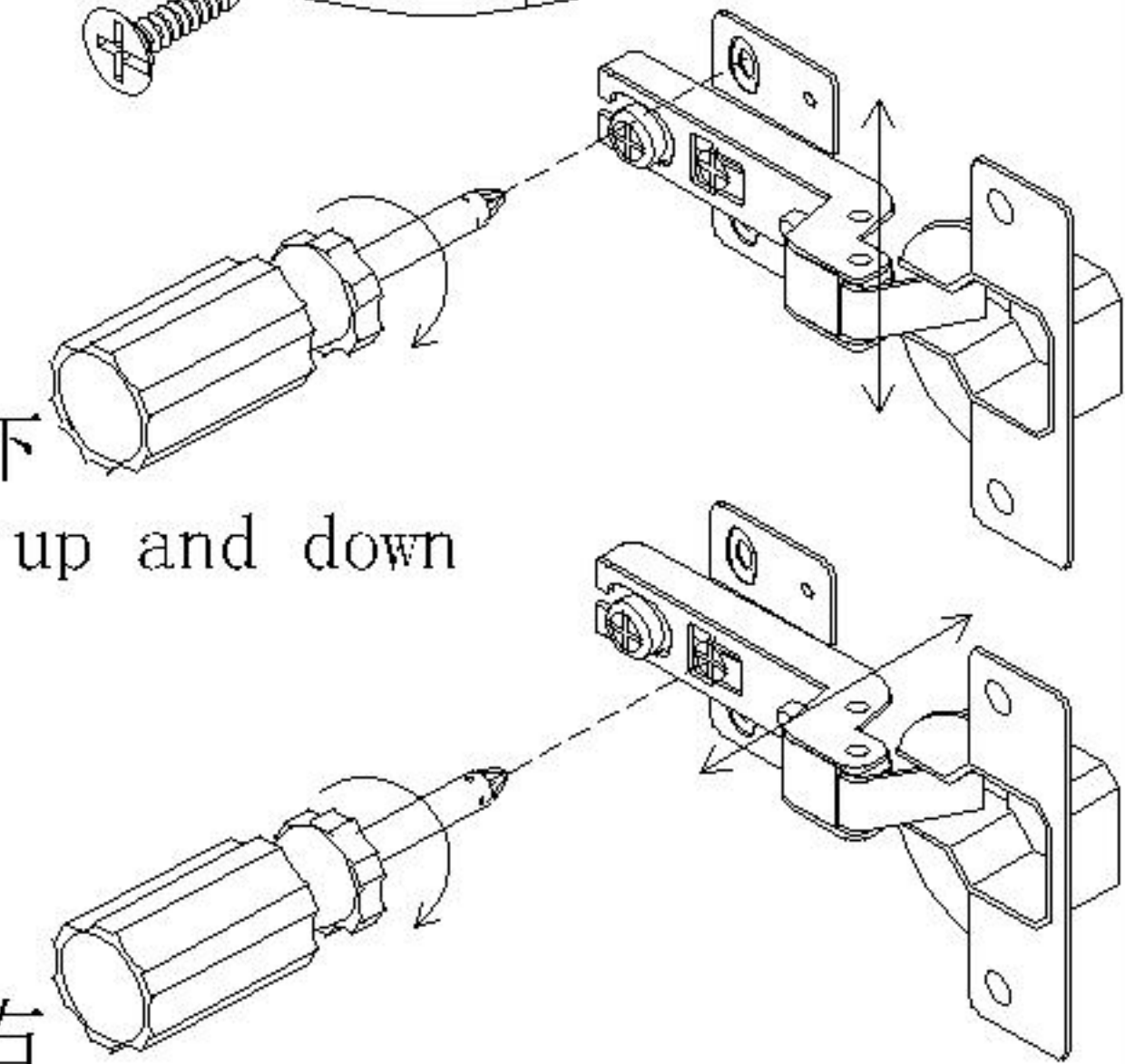
中弯middle bending



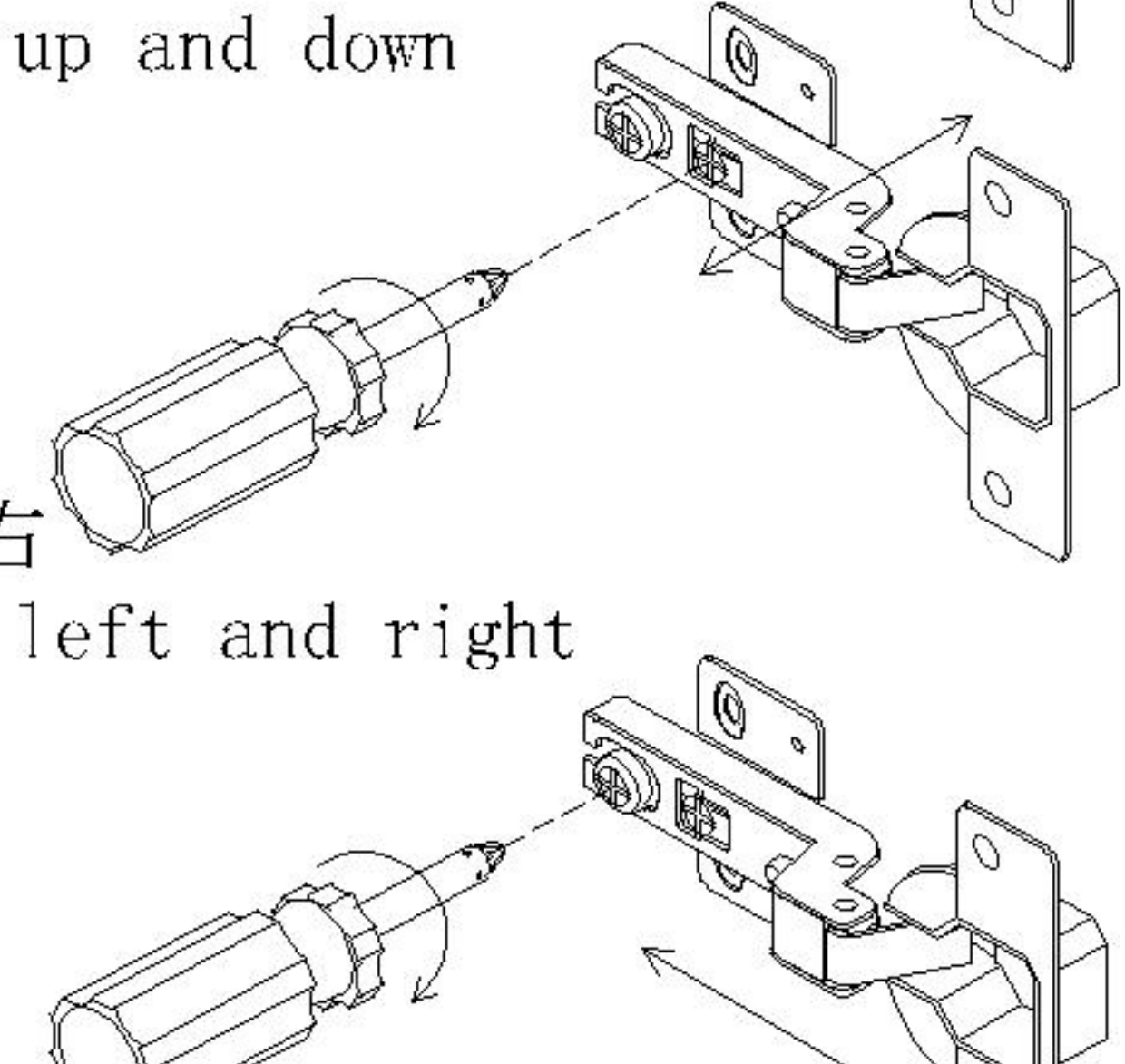
直弯straight bending



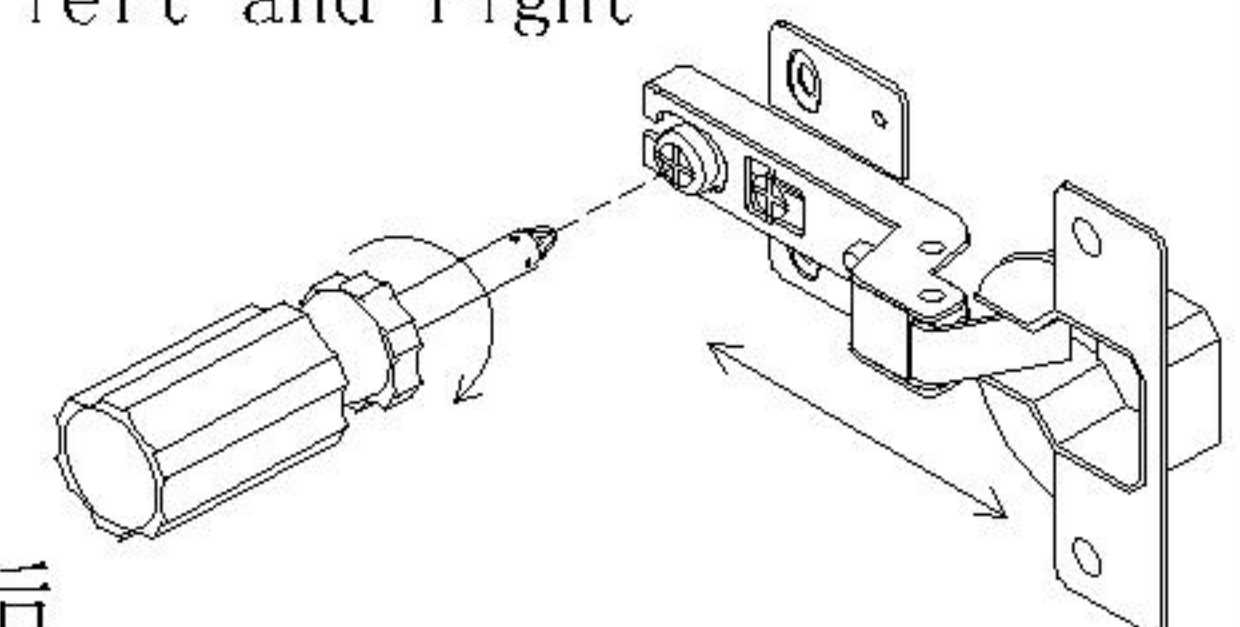
调节上下
Adjust up and down



调节左右
Adjust left and right



调节前后
Before and after adjustment

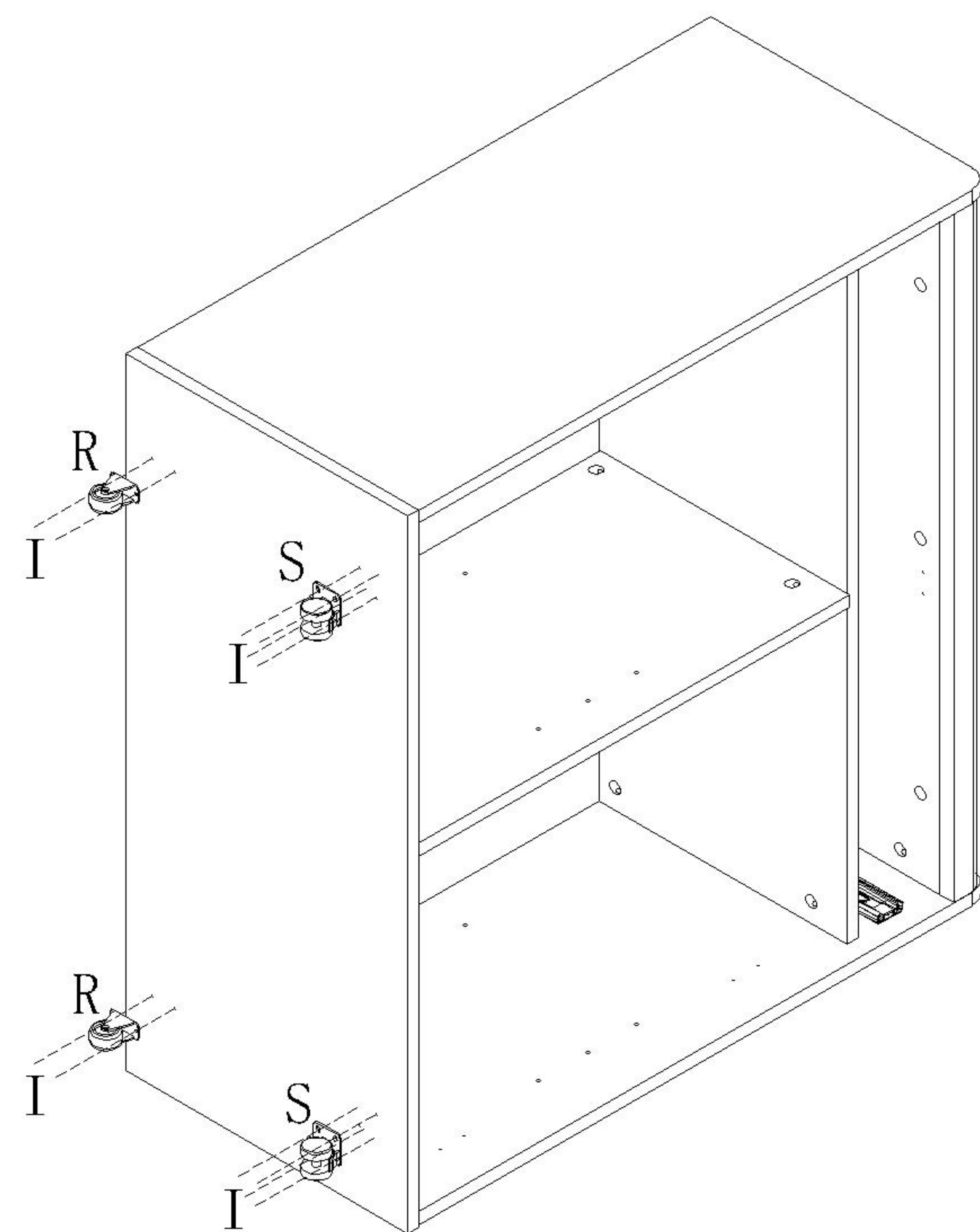


门铰Hinge

(I)*12

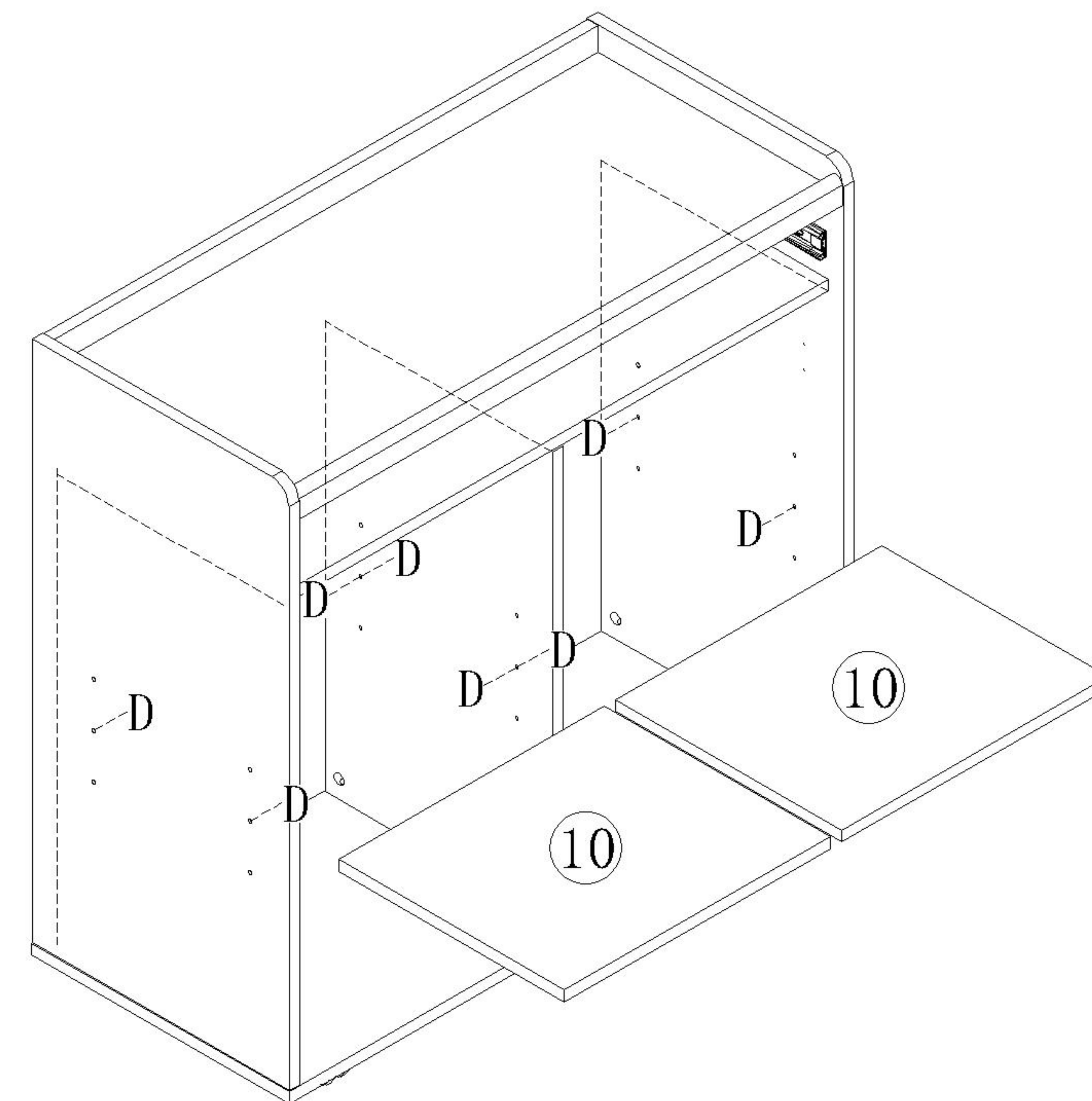
(R)*2

(S)*2



9

(D)*8

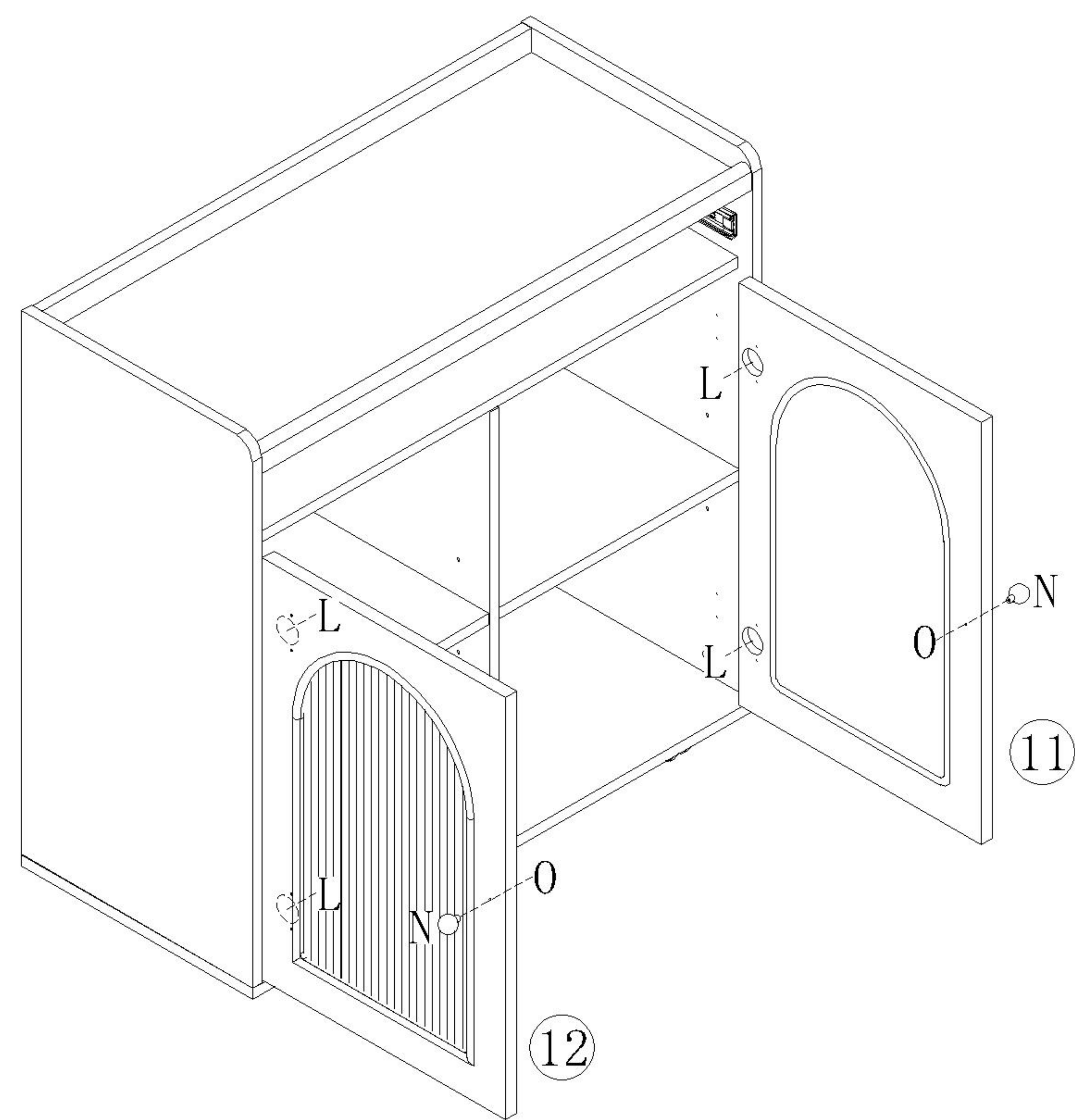


10

(L)*4

(O)*2

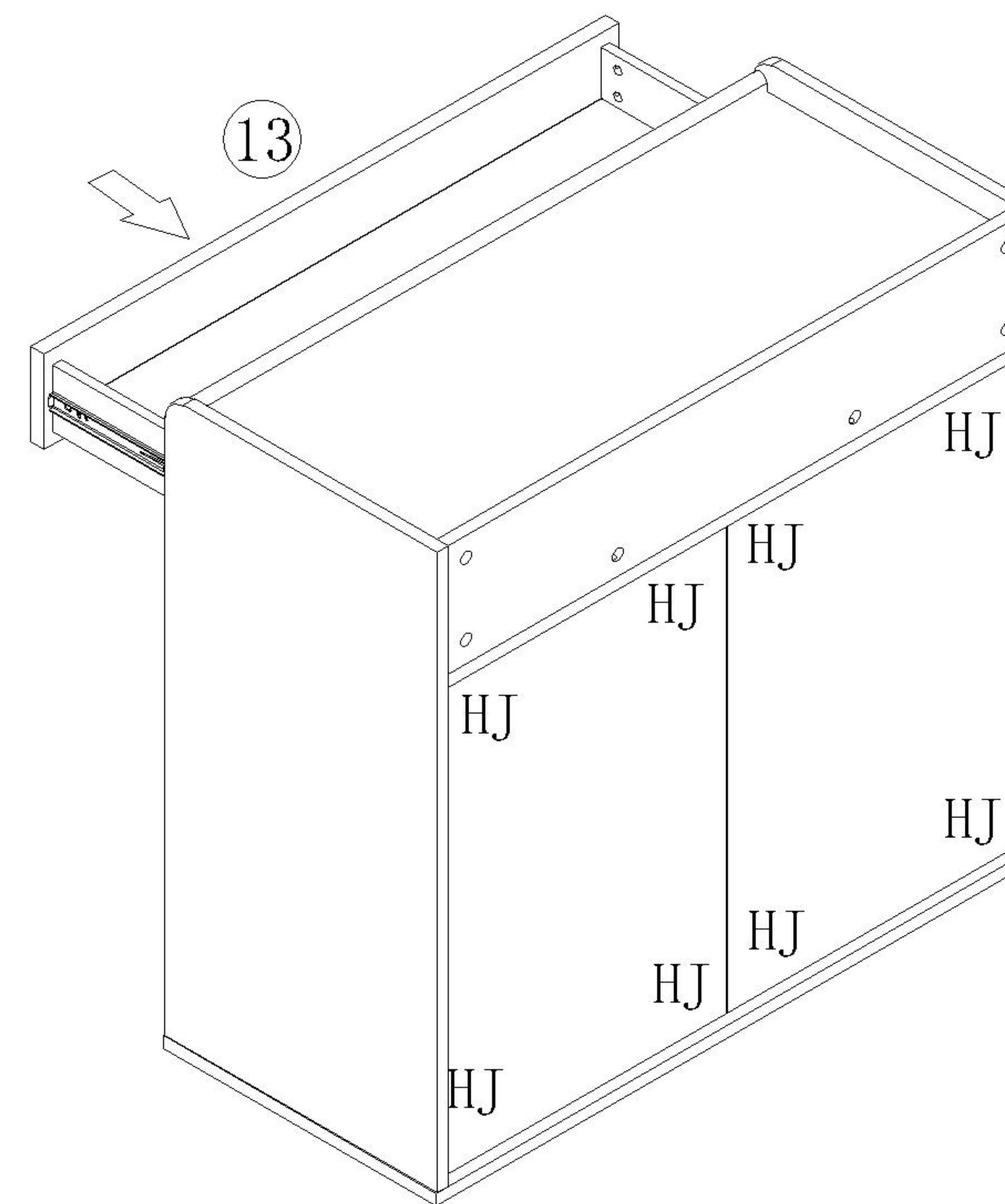
(N)*2



11

(H)*8

(J)*8



12