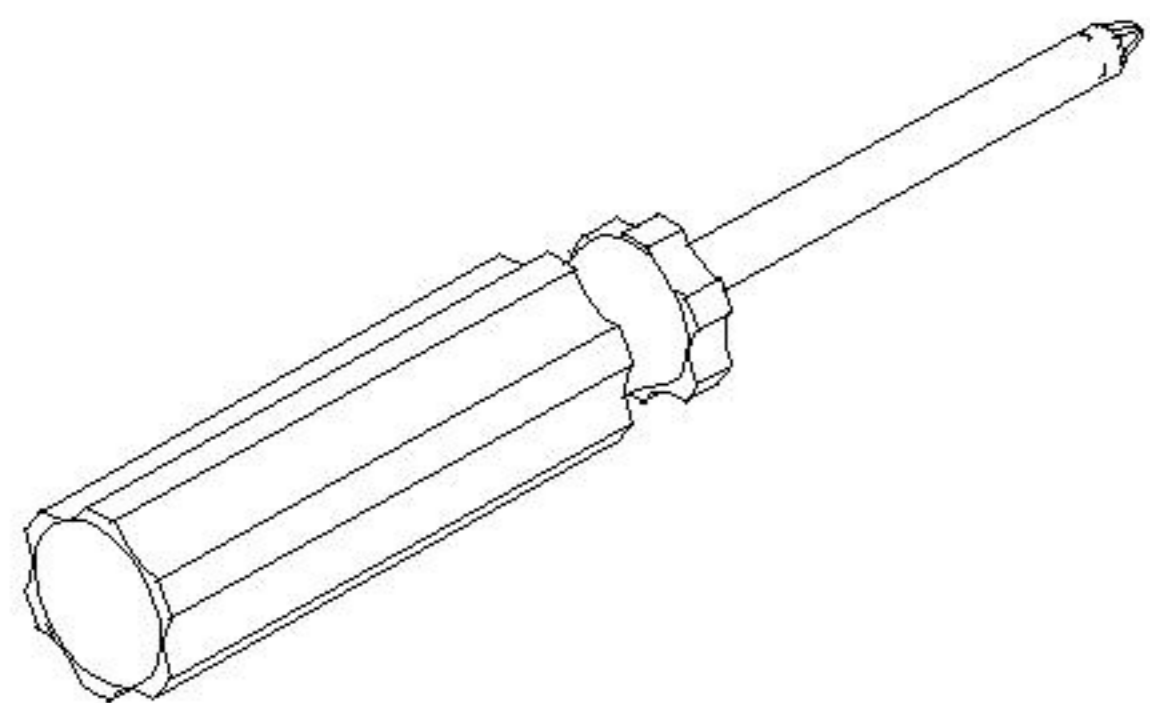
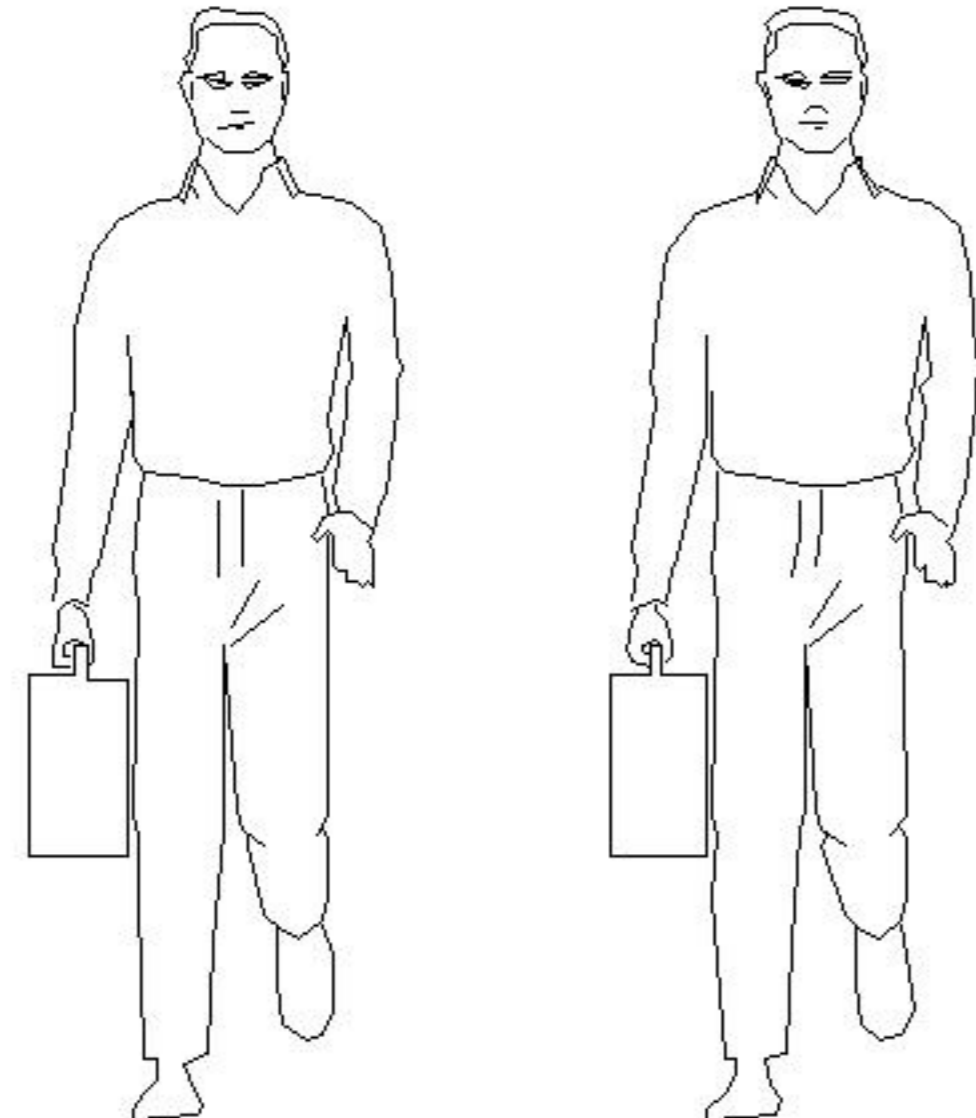


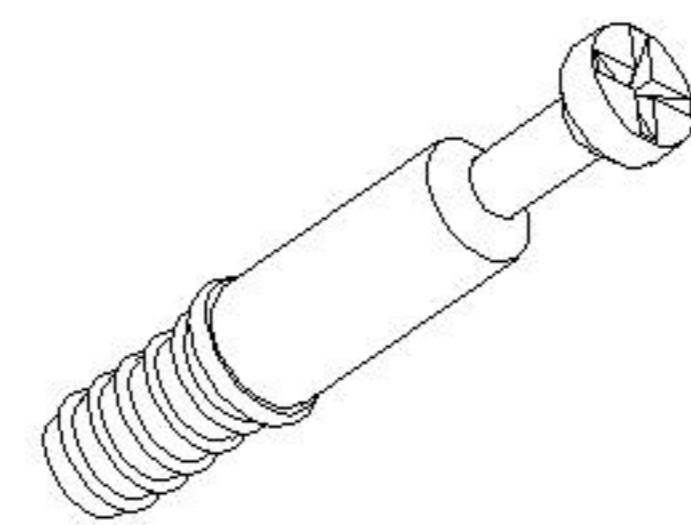
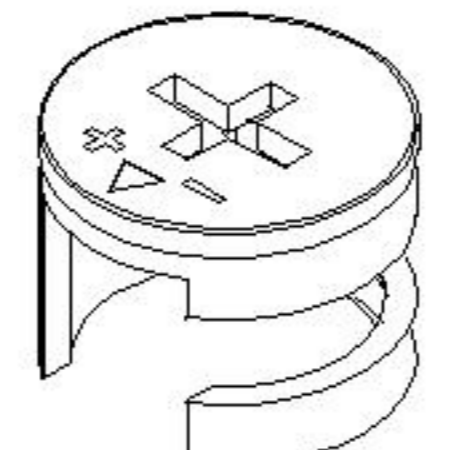
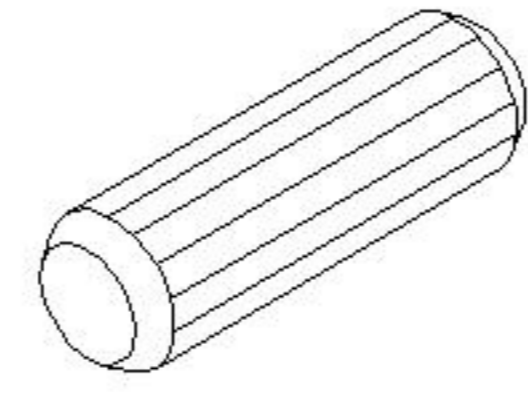
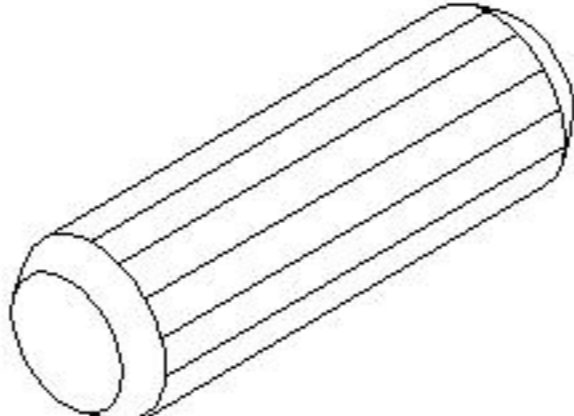
LINSY 林氏家居

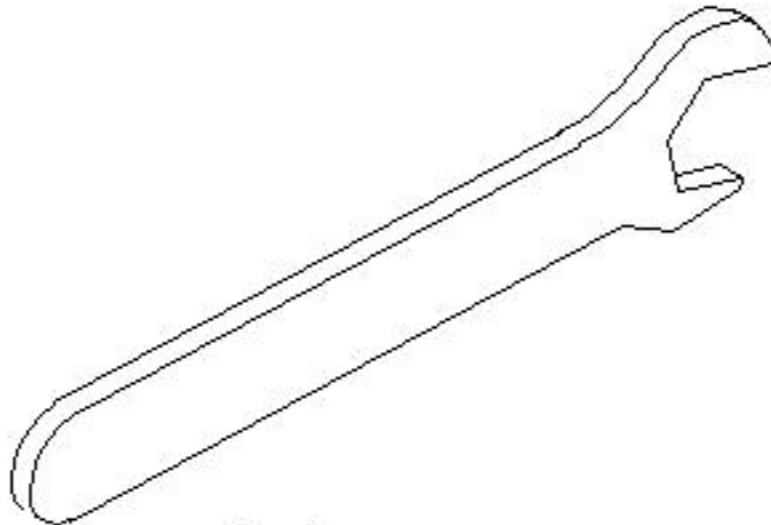
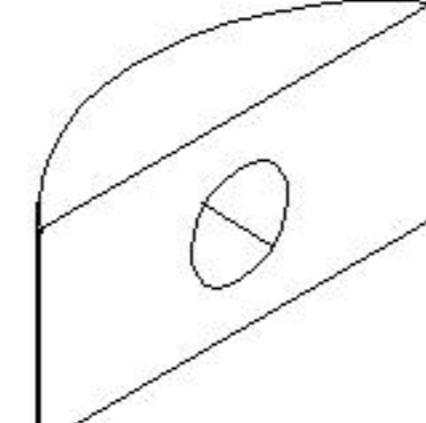
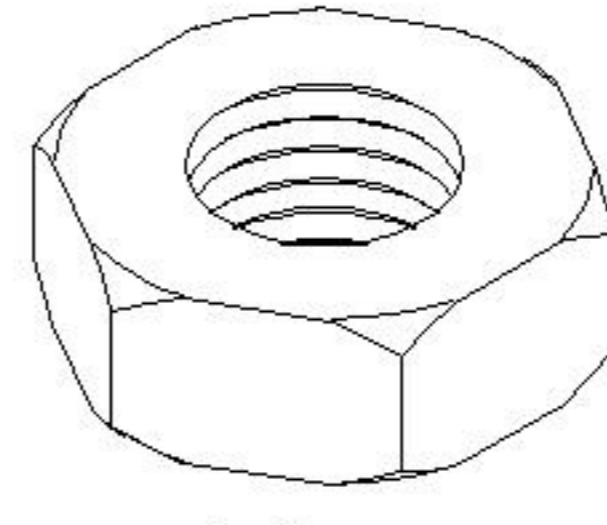
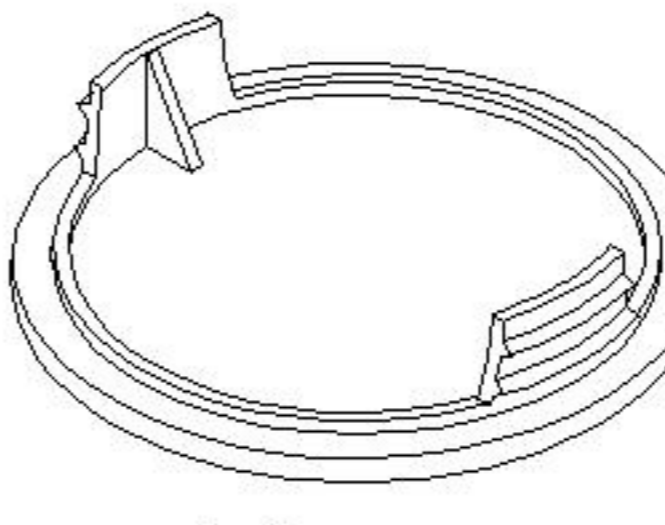
五金表/Hardware list

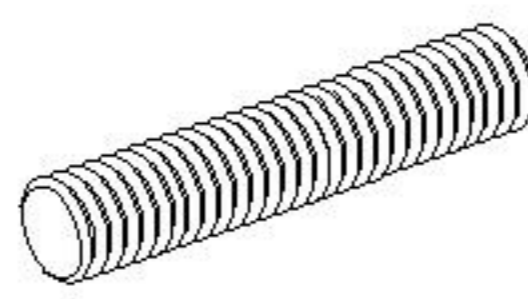
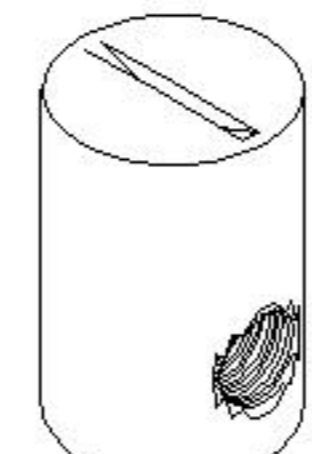

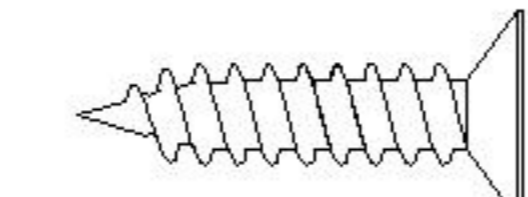
部件表/Parts List

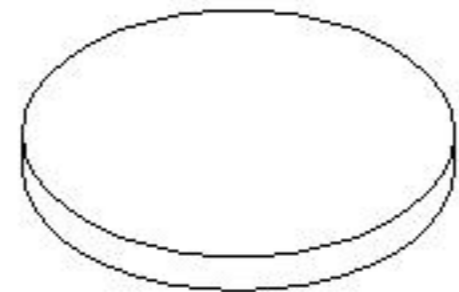
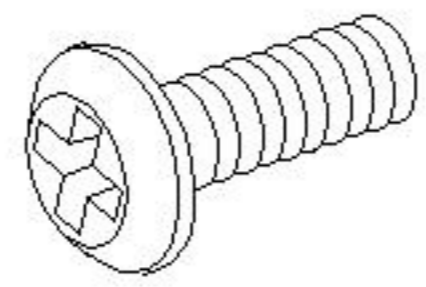

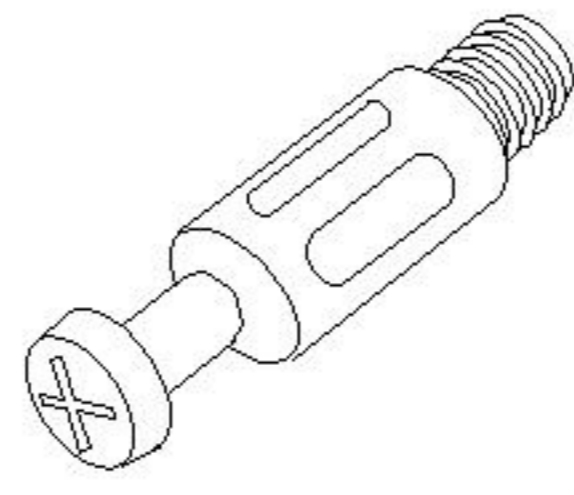
安装示意图/Assembly Instruction

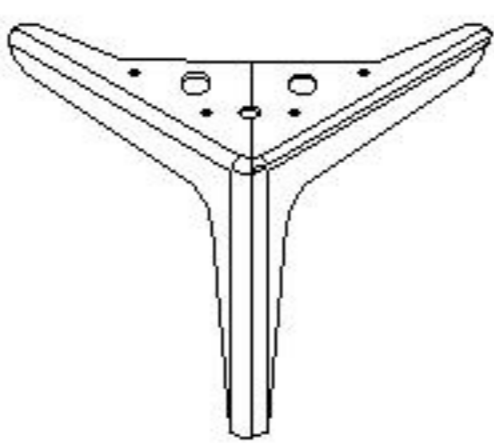
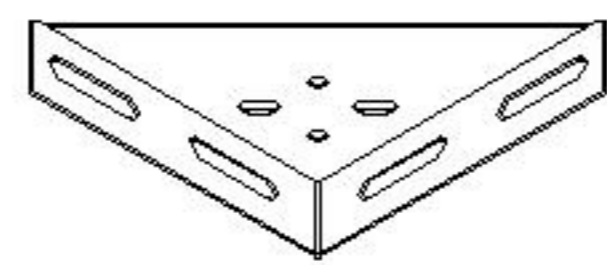
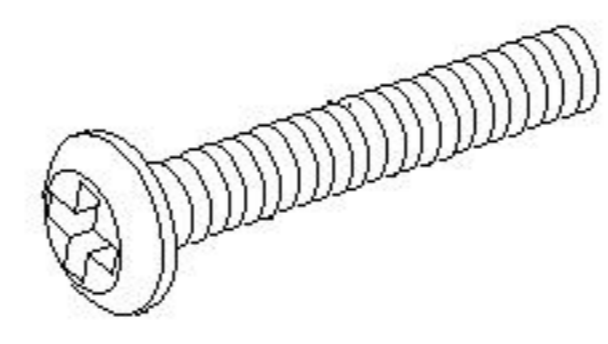
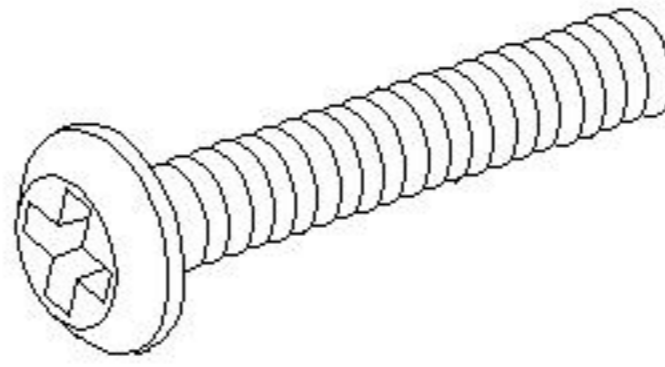
产品名称 Model NO.	TV3A-A(1.8m)
产品规格 Specification	2180*1856*1125mm
安装工具 Tool	安装人数 Installer
	

 (A)*24 二合一螺杆 2-in-1-screw	 (B)*33 大三合一锁饼 3-in-1 large lock	 (C)*21 木榫Ø8x30mm Wood tenon	 (D)*4 木榫Ø10x10mm Wood tenon
-----------------------------------------------------------------------------------------------------------------------	------------------------------------------------------------------------------------------------------------------------------	--------------------------------------------------------------------------------------------------------------------------	--------------------------------------------------------------------------------------------------------------------------

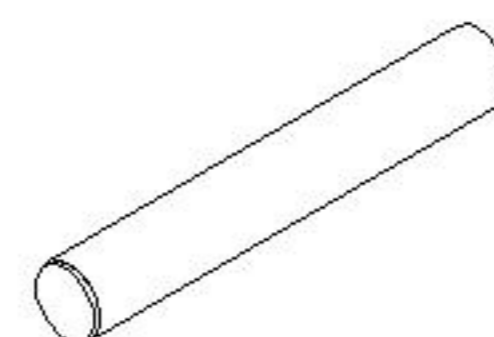

 (E)*1 开口扳手-14mm Open Wrench	 (F)*4 五合一月牙-M8 5-in-1 screw	 (G)*8 外六角螺母-M8 Hexagon Nut	 (H)*4 五合一孔盖 5-in-1 cover
-------------------------------------------------------------------------------------------------------------------------	--------------------------------------------------------------------------------------------------------------------------	-------------------------------------------------------------------------------------------------------------------------	-----------------------------------------------------------------------------------------------------------------------

 (I)*4 全牙螺杆-(M8*100mm) Full thread screw	 (J)*4 锤母-M8 Ø12x15mm Hammer nut	 (K)*14 小角码-(14*21*1.5mm) Small bracket	 (L)*29 白攻螺丝M1*12mm Tapping screw
-------------------------------------------------------------------------------------------------------------------------------------	------------------------------------------------------------------------------------------------------------------------------	-------------------------------------------------------------------------------------------------------------------------------------	-------------------------------------------------------------------------------------------------------------------------------

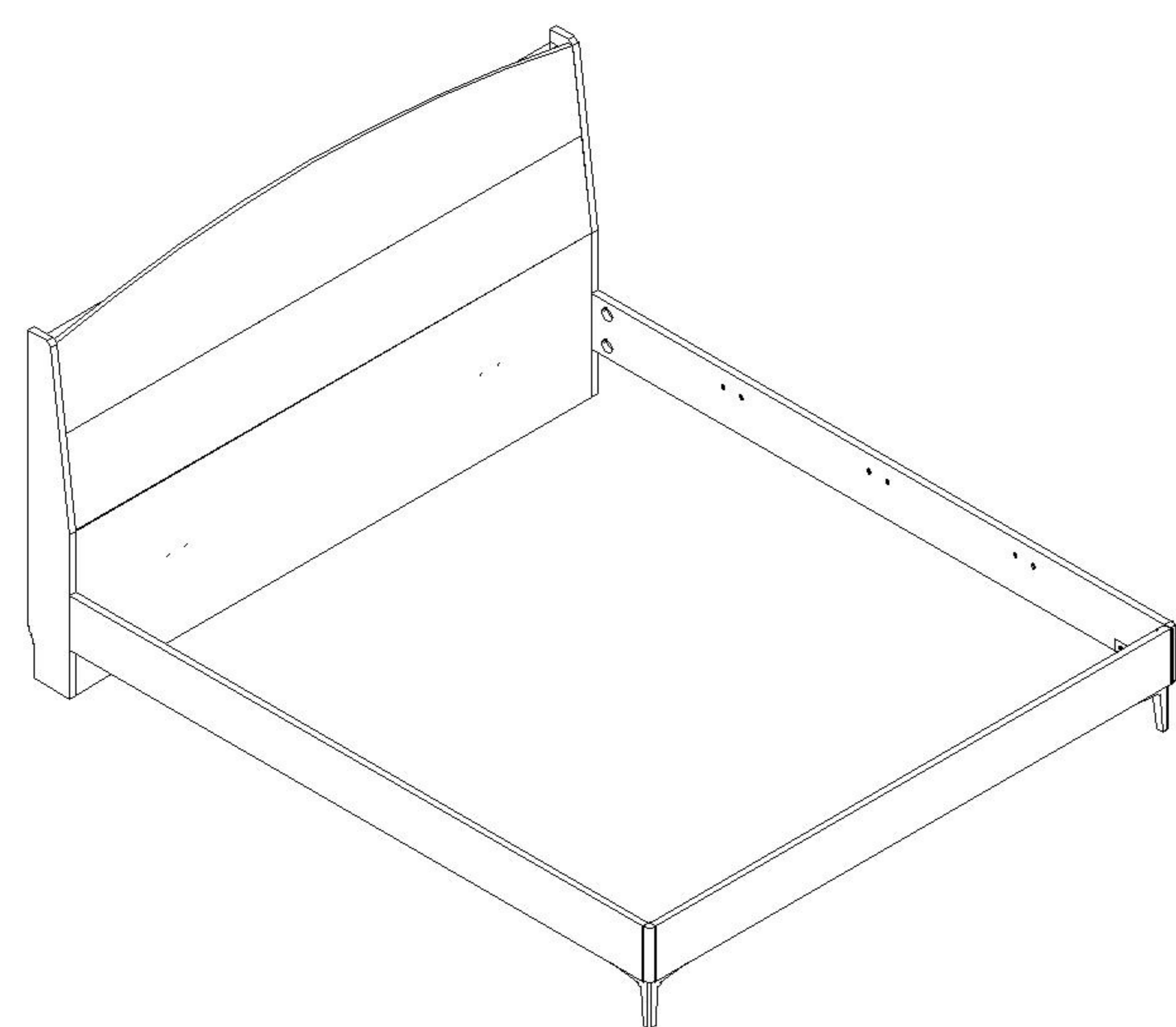
 (M)*7 灰色毛毡垫 Foot pad	 (N)*12 斜边十字螺杆M8*15mm Bevel cross screw	 (O)*2 床角连接件 Bed corner connector	 (P)*8 大三合一螺杆 Large three in one screw
-------------------------------------------------------------------------------------------------------------------	--------------------------------------------------------------------------------------------------------------------------------------	--------------------------------------------------------------------------------------------------------------------------------	-------------------------------------------------------------------------------------------------------------------------------------

 (Q)*2 五金脚 Hardware foot	 (R)*2 三角型角码175x175 Corner code	 (S)*20 斜边十字螺杆M6*45mm Bevel cross screw	 (T)*2 斜边十字螺杆M8*40mm Bevel cross screw
-----------------------------------------------------------------------------------------------------------------------	-------------------------------------------------------------------------------------------------------------------------------	---------------------------------------------------------------------------------------------------------------------------------------	--------------------------------------------------------------------------------------------------------------------------------------

排骨架内带五金 Hardware inside the row frame

 (Y)*2 中脚 Middle foot	 (Z)*1 板式排骨架1.8M Plate type row frame
--------------------------------------------------------------------------------------------------------------------	-------------------------------------------------------------------------------------------------------------------------------------

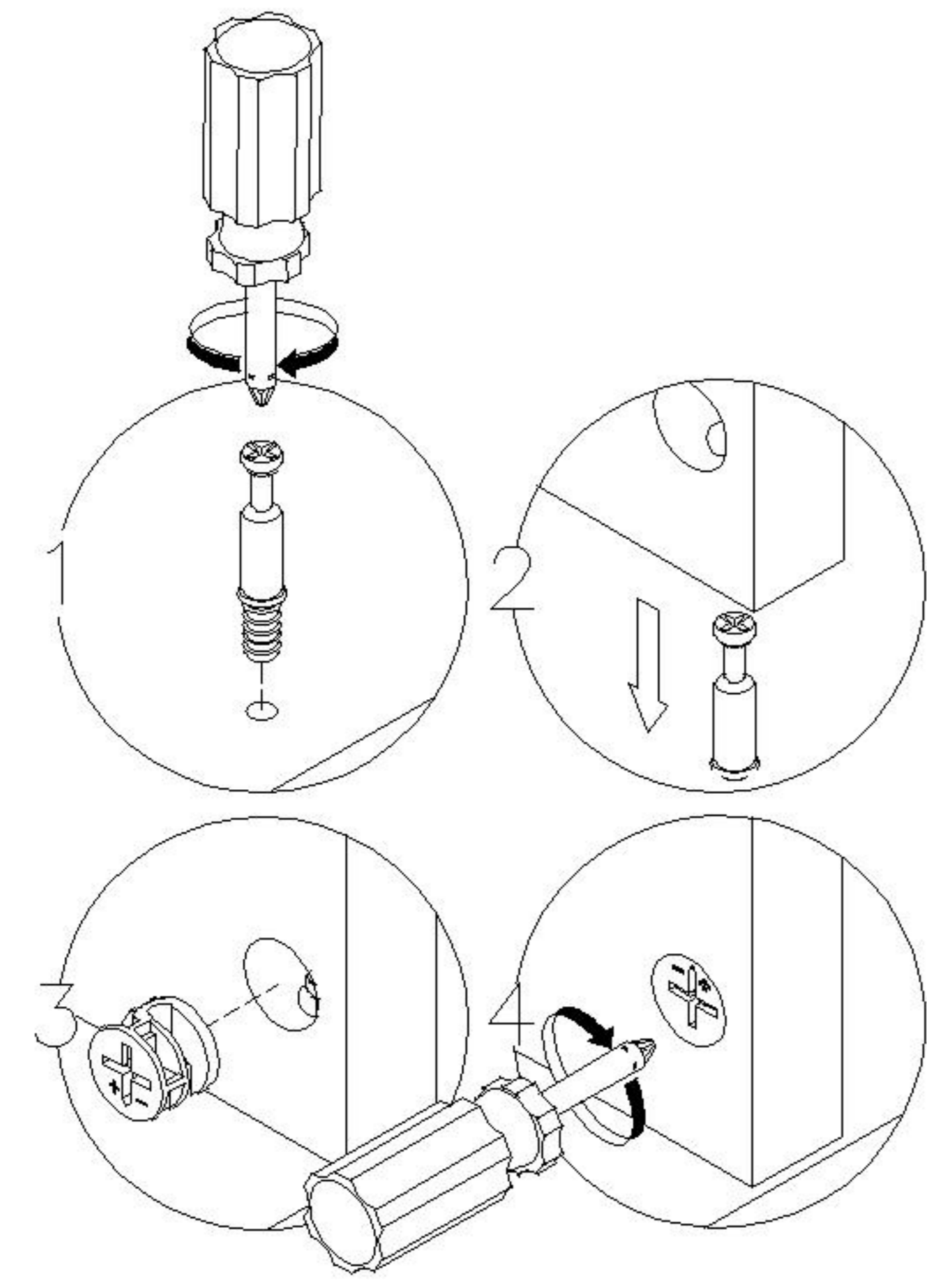
编号NO.	名称Name	规格(mm) Specification	数量QTY	材质Material
①	床头右脚Head bed foot (R)	1047*145*21	1	人造板 WBP
②	床头左脚Head bed foot (L)	1047*145*21	1	人造板 WBP
③	后背中支撑条 Middle back support strip	992*110*21	1	人造板 WBP
④	床头顶条 Top bar of bed head	1810*64*15	1	人造板 WBP
⑤	床头下节主板 Board under head bed	1810*498*15	1	人造板 WBP
⑥	床头主板 Board head bed	1810*280*15	1	人造板 WBP
⑦	床头上节主板 Headboard section	1810*347*15	1	人造板 WBP
⑧	床尾Bed tail	1806*168*21	1	人造板 WBP
⑨	左床侧Bedside (L)	2010*168*21	1	人造板 WBP
⑩	右床侧Bedside (R)	2010*168*21	1	人造板 WBP



床垫厚度建议: 180-220mm

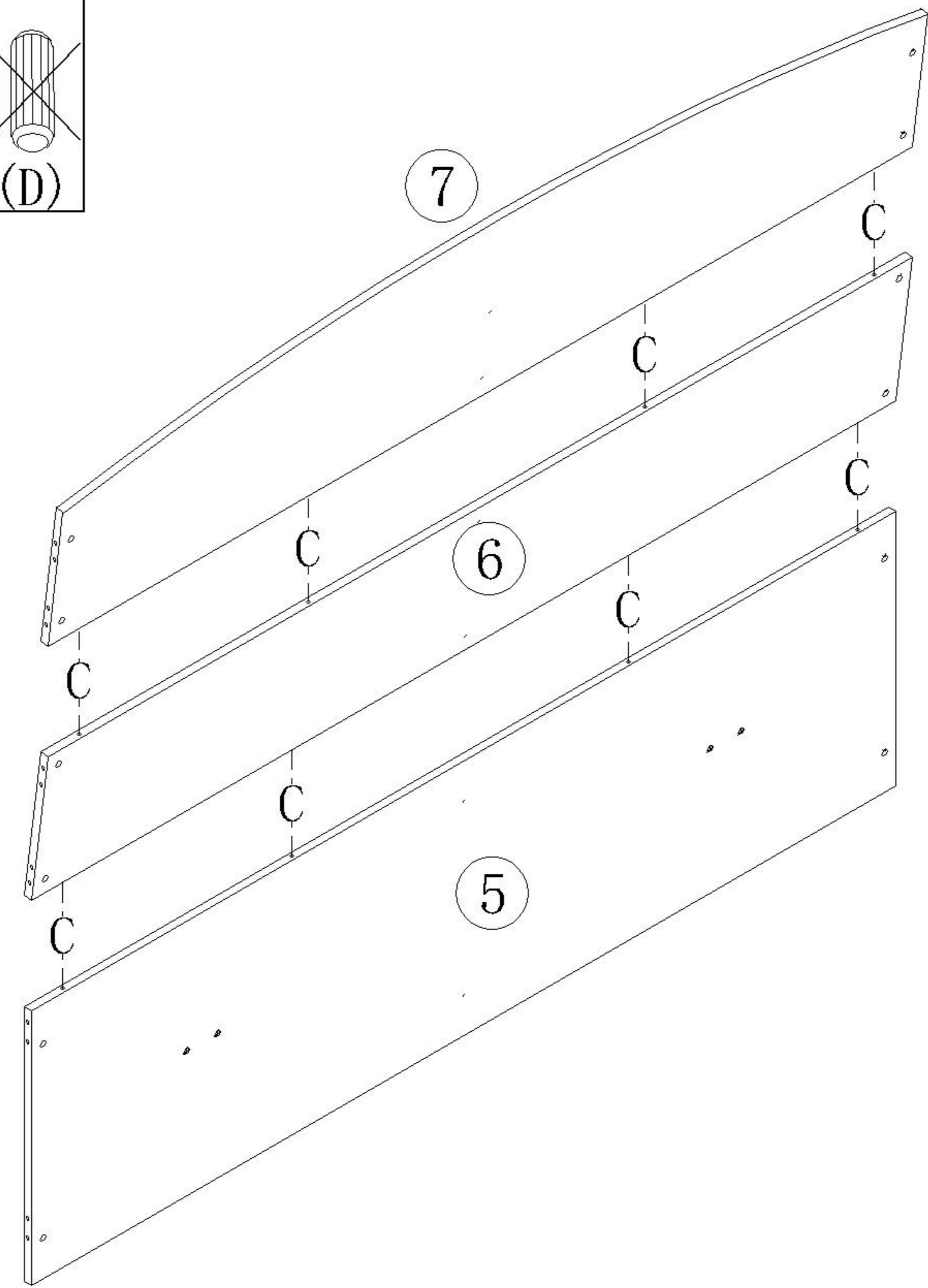
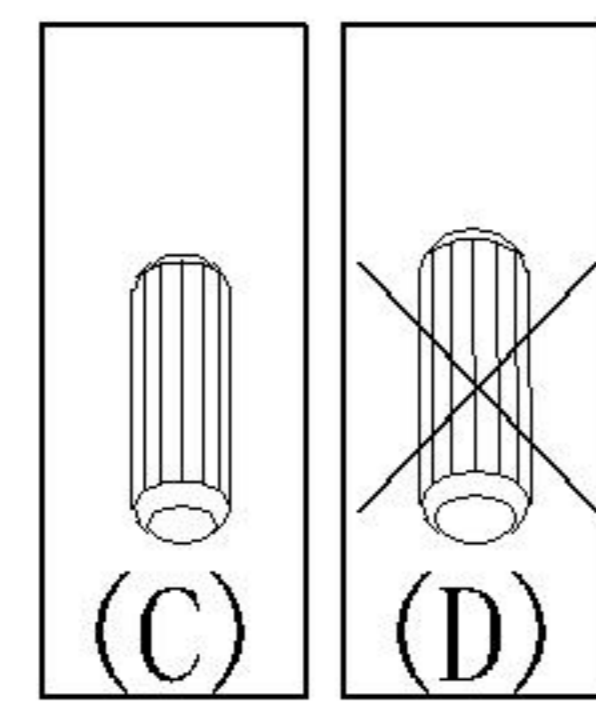
TV3A-A(1.8m)

安装方法 Installation method



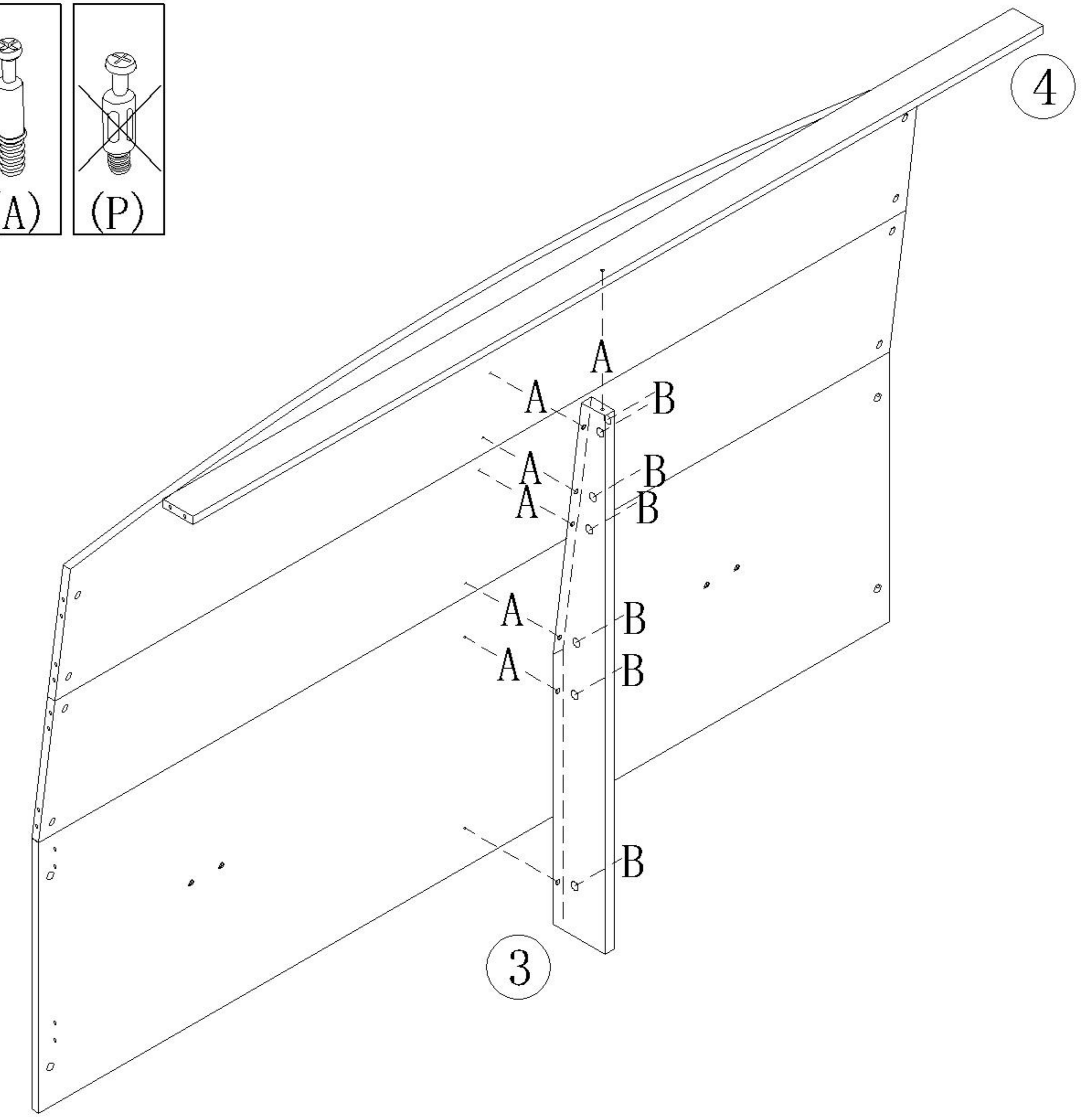
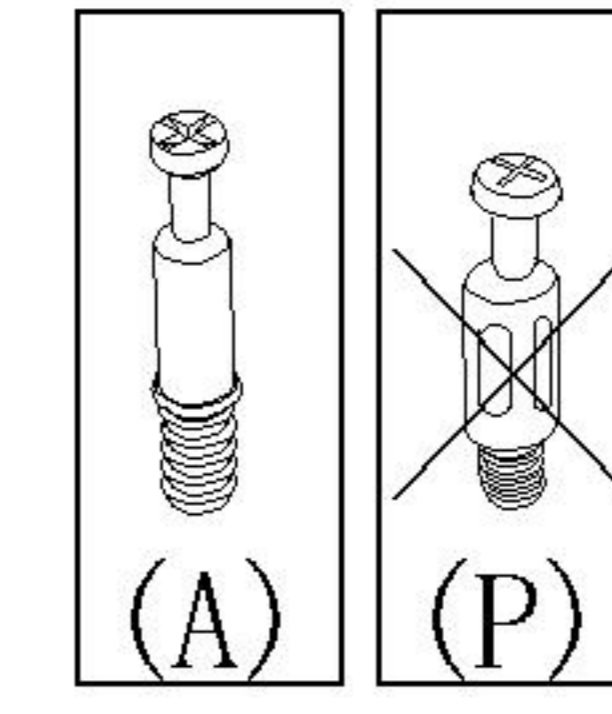
二合一
two-in-one

(C)*8



1

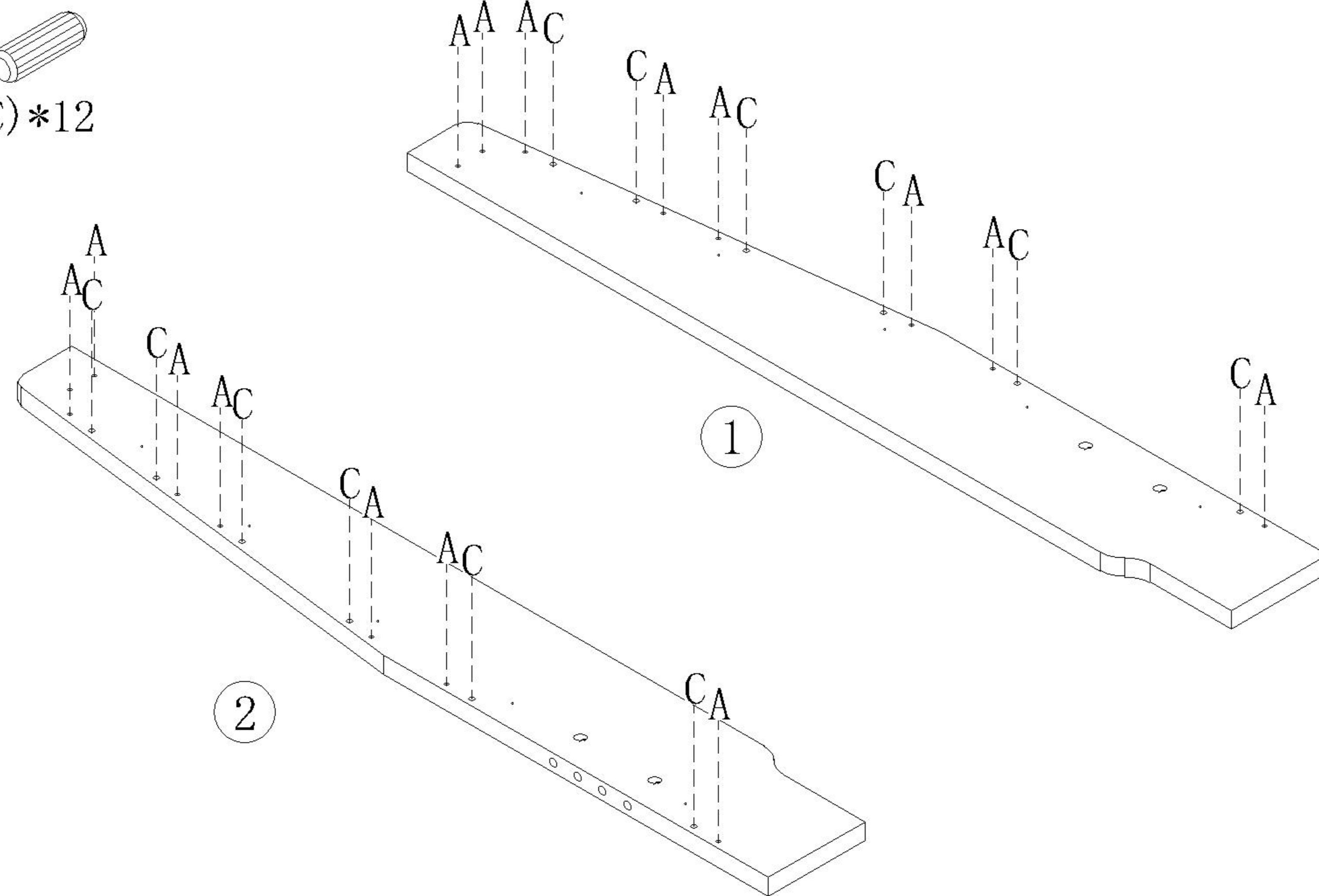
(A)*7
(B)*7



2

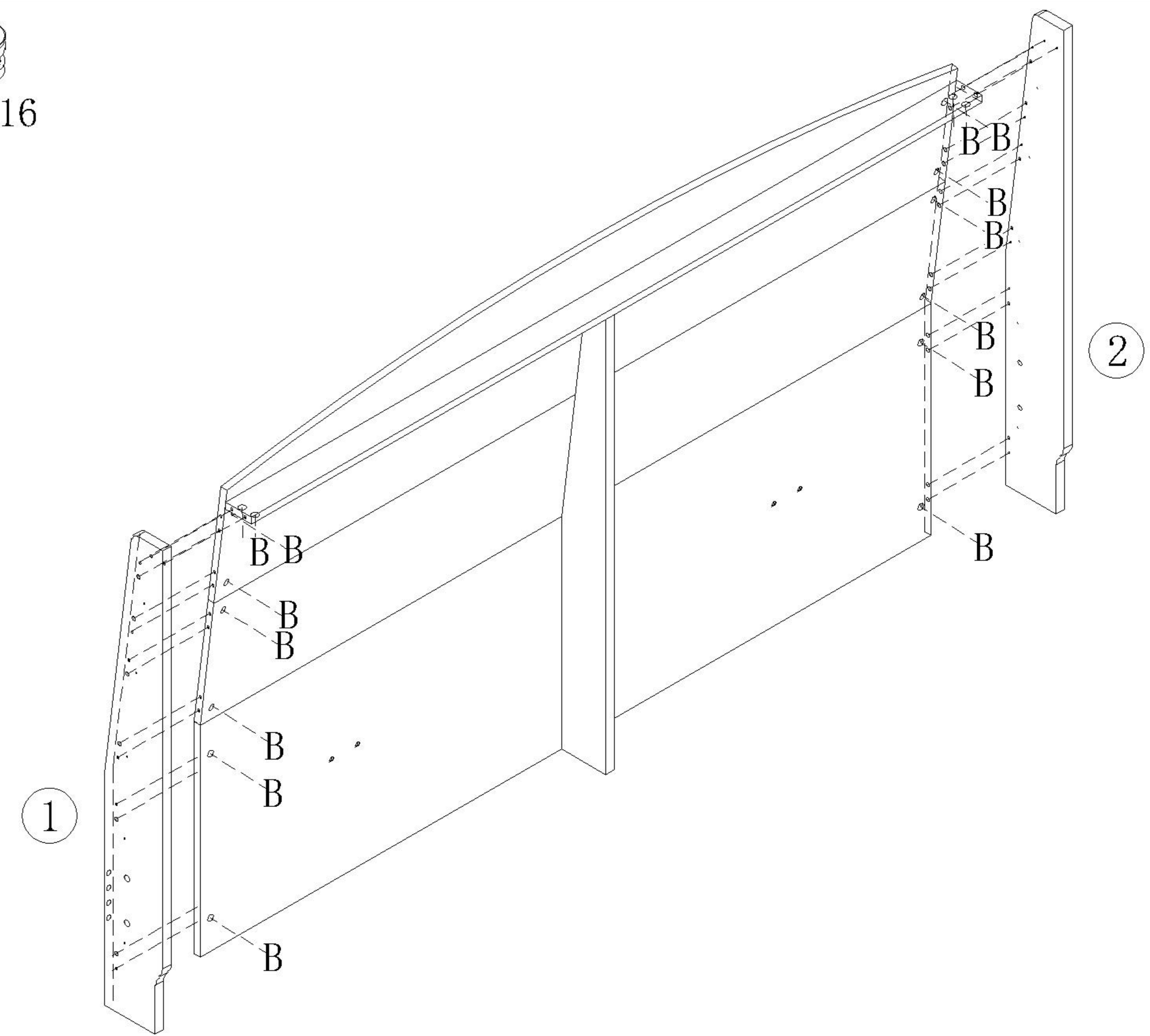
(A)*16

(C)*12



3

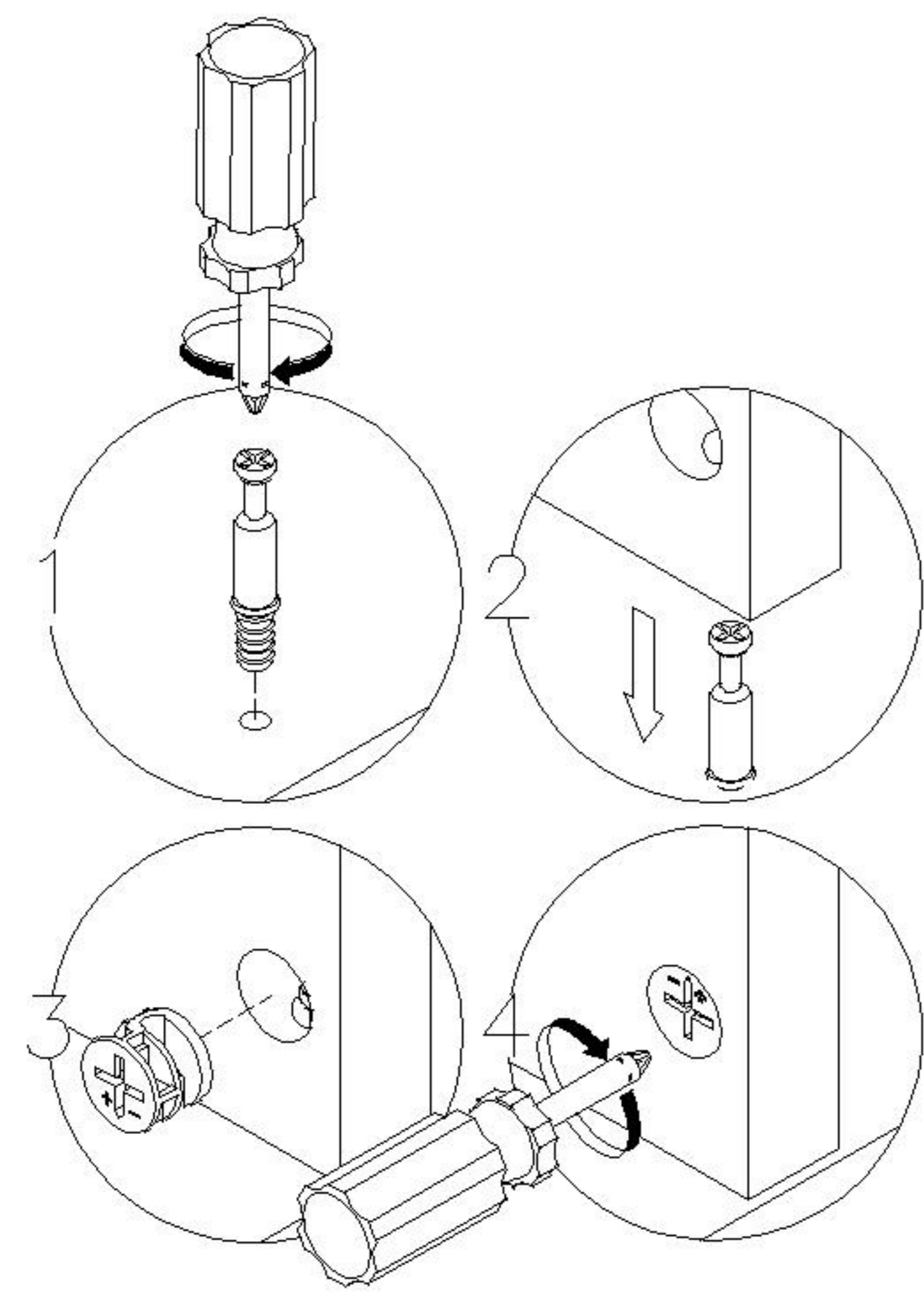
(B)*16



4

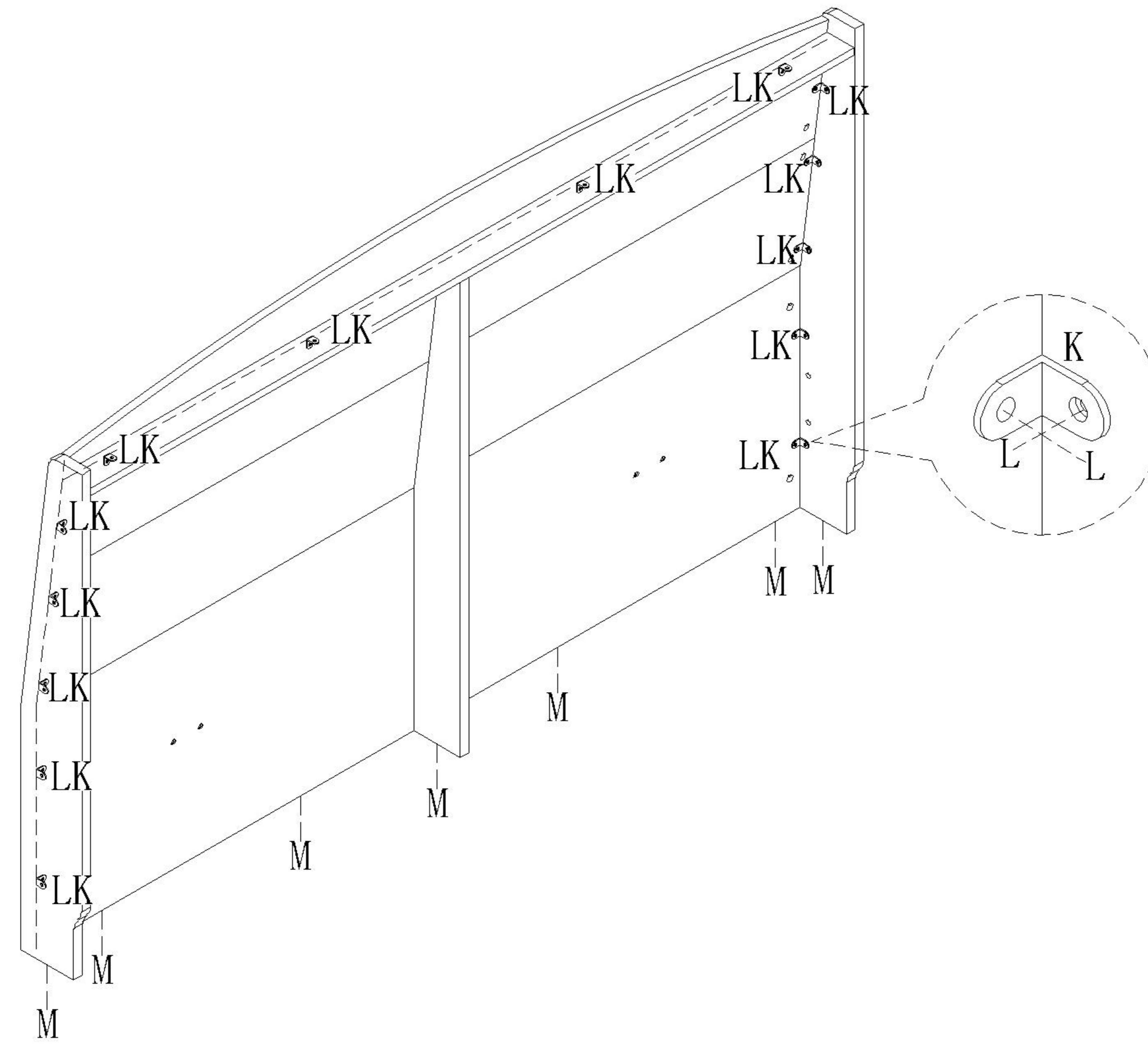
TV3A-A(1.8m)

安装方法 Installation method



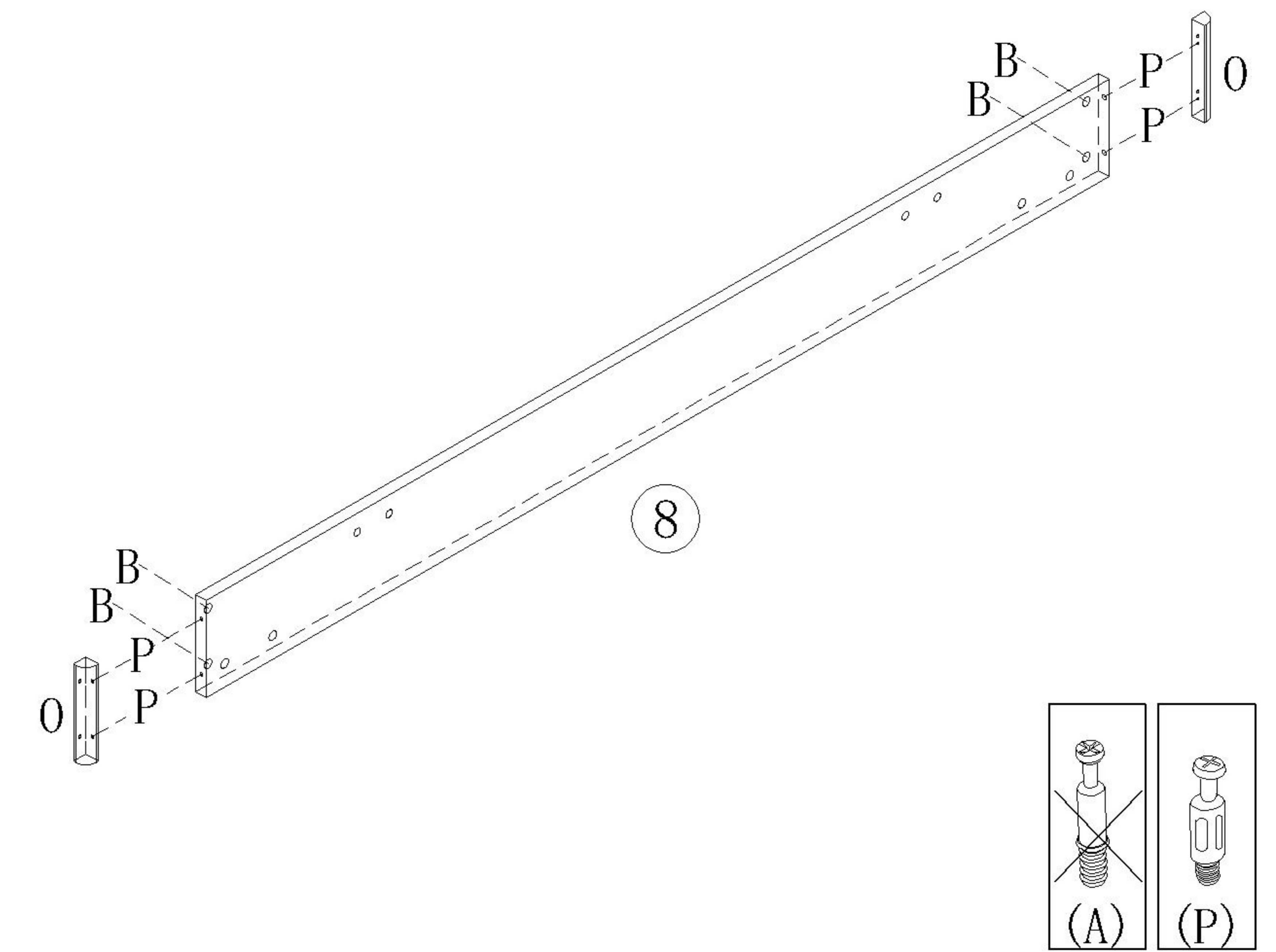
二合一
two-in-one

- (L)*28
- (K)*14
- (M)*7



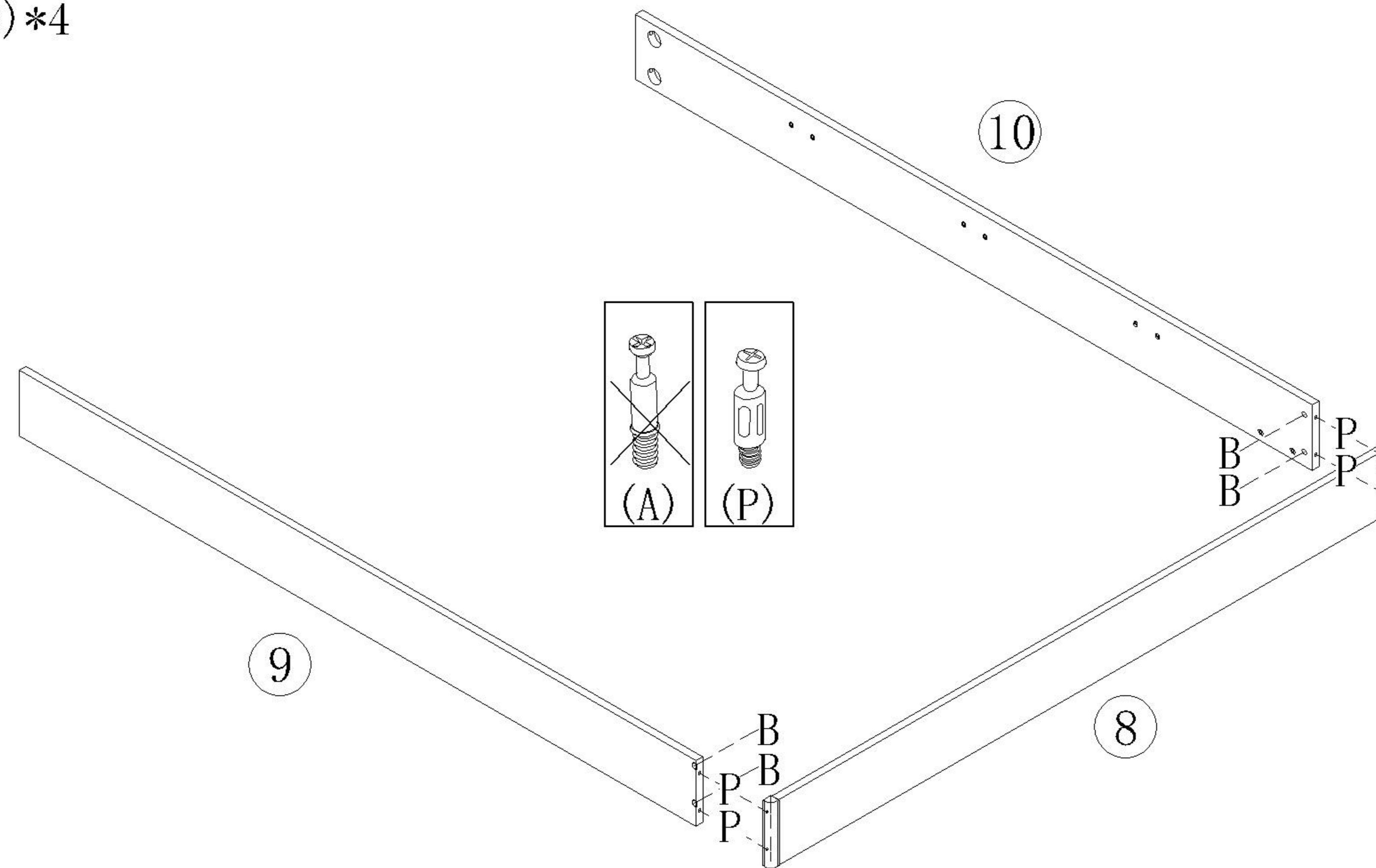
5

- (P)*4
- (B)*4
- (O)*2



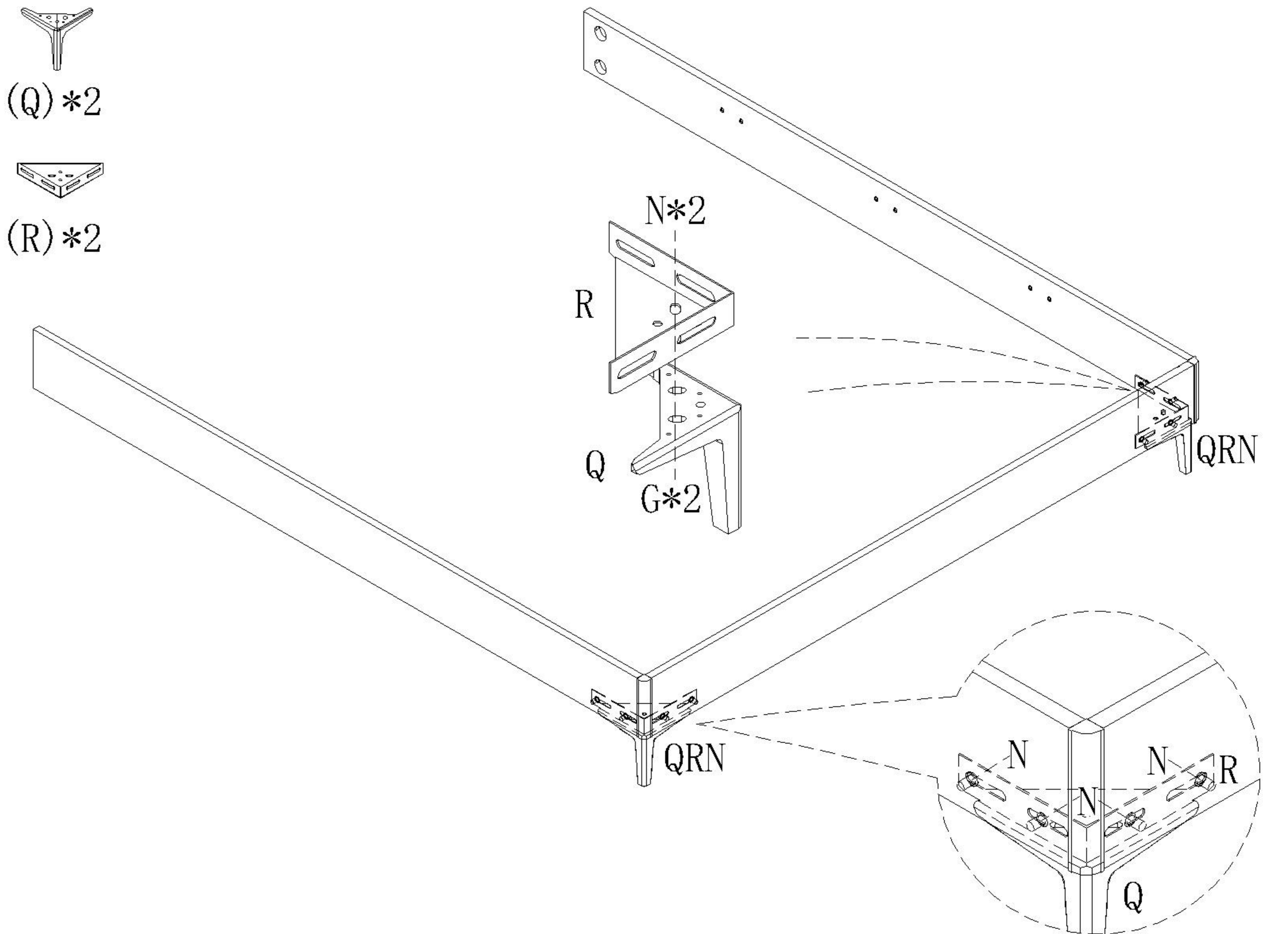
6

- (P)*4
- (B)*4



7

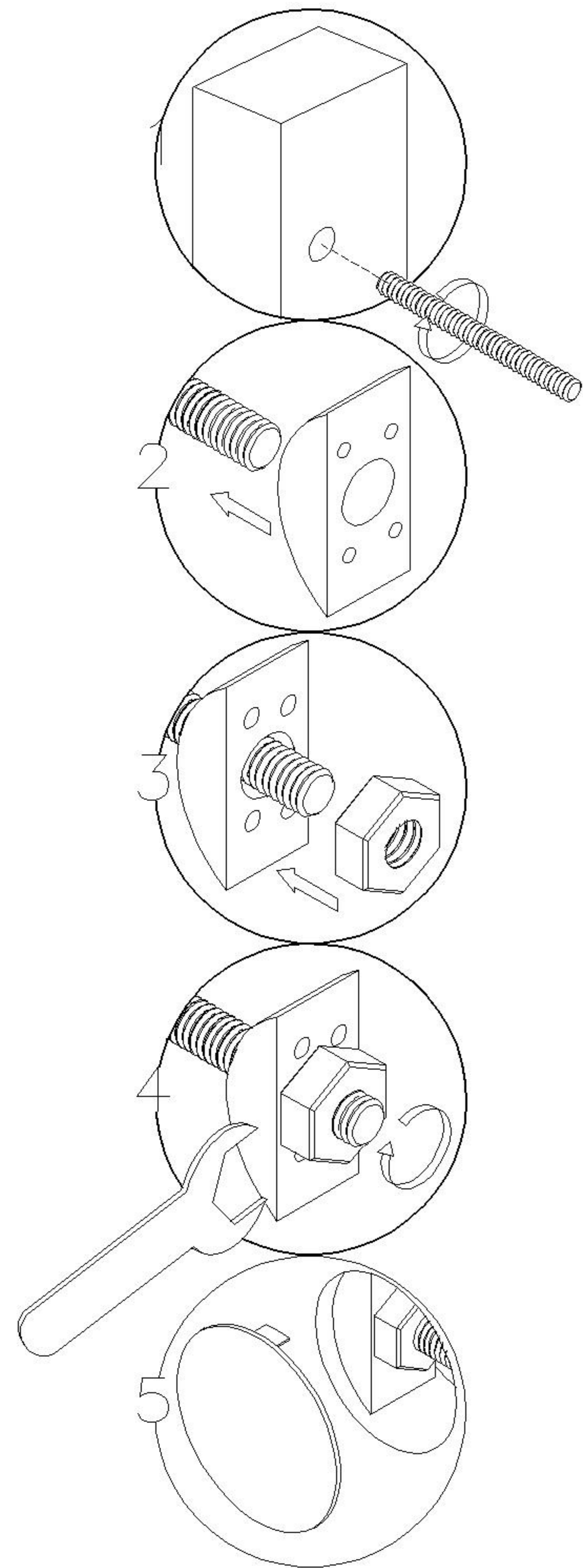
- (N)*12
- (G)*4
- (Q)*2
- (R)*2



8

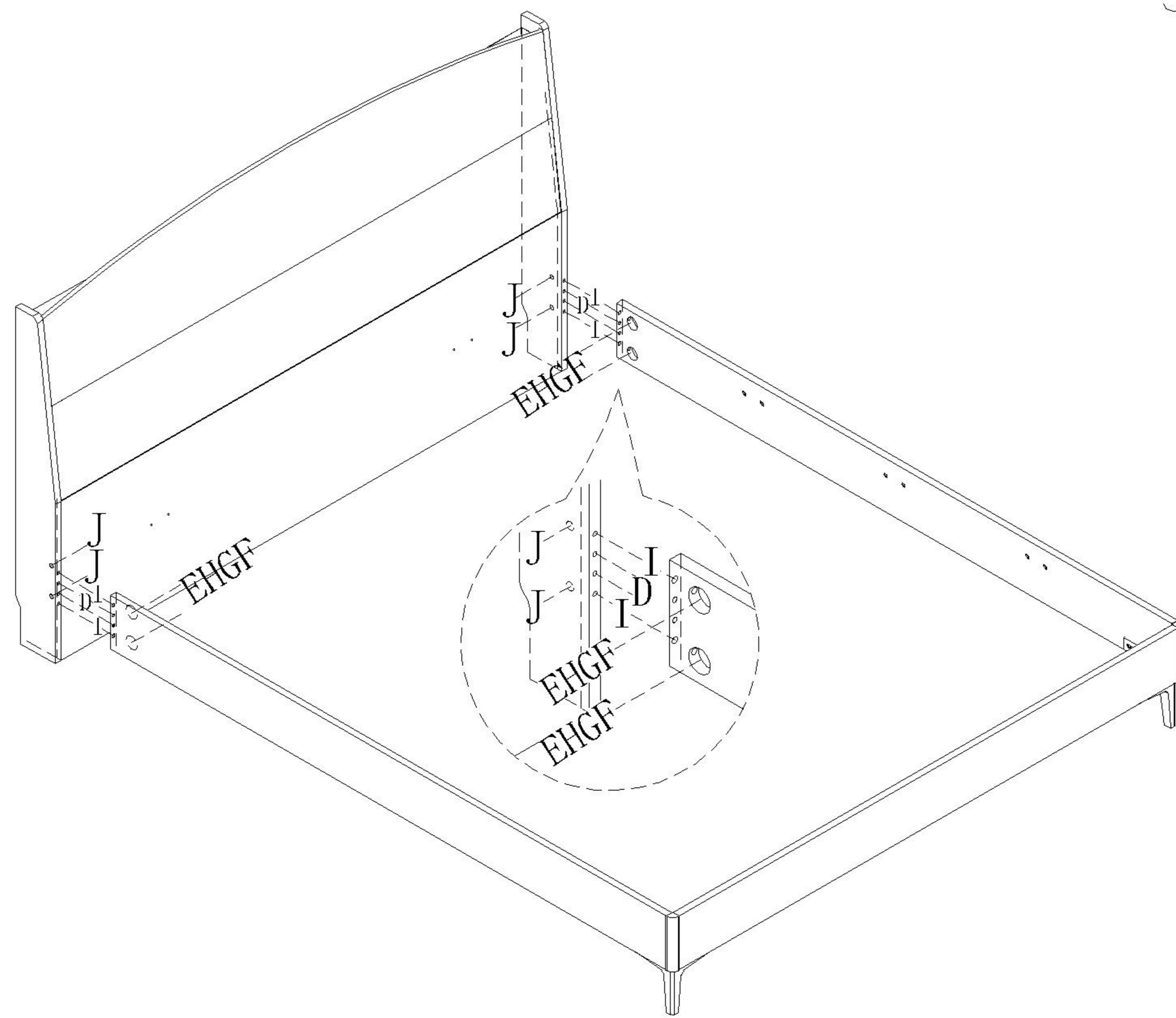
TV3A-A (1.8m)

安装方法
Installation method



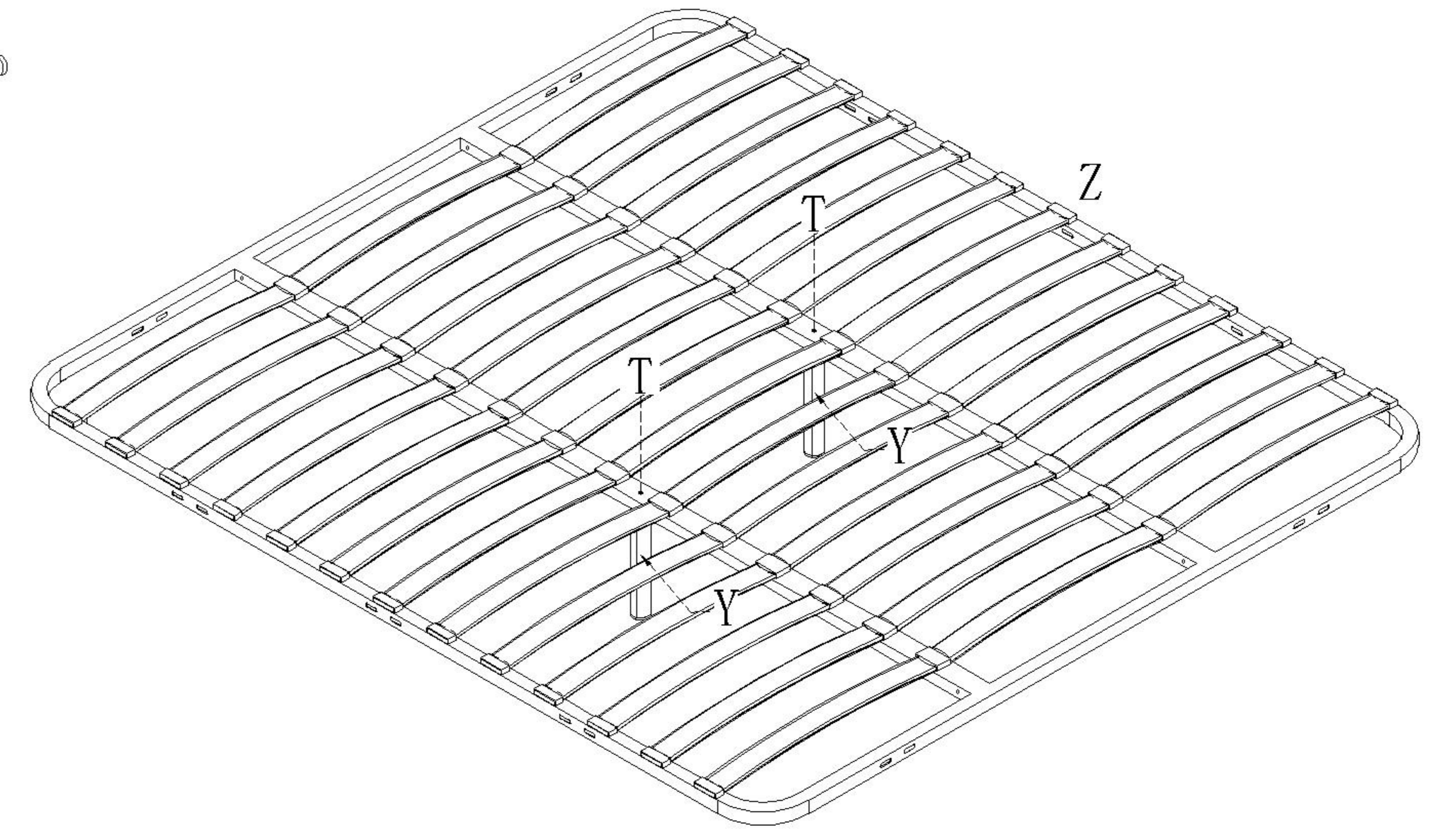
五合一/5 in 1

- (I) *4
- (J) *4
- (E) *1
- (F) *4
- (D) *4
- (H) *4
- (G) *4



9

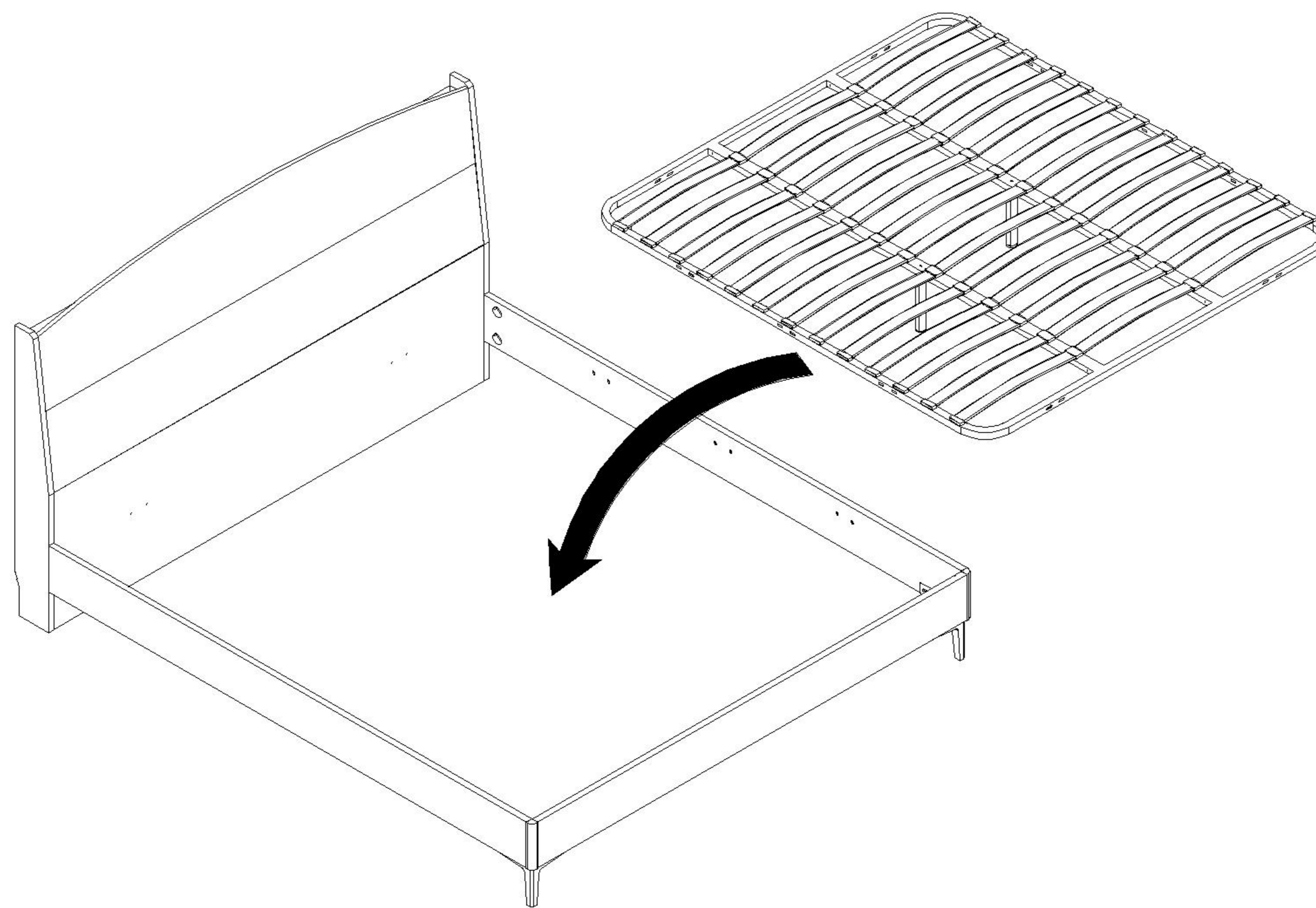
- (Z) *1
- (Y) *2
- (T) *2



10

11

- (S) *20



12

