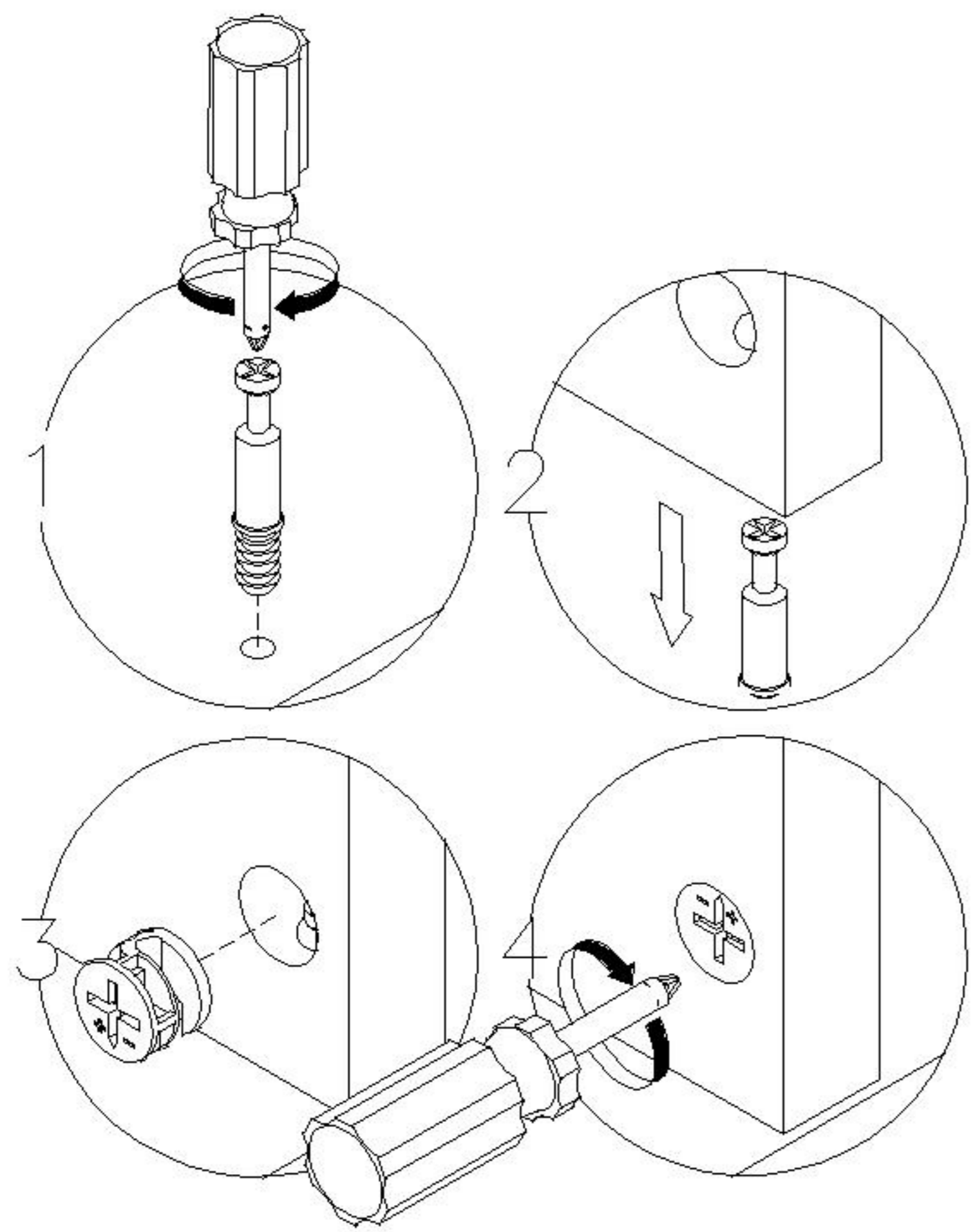




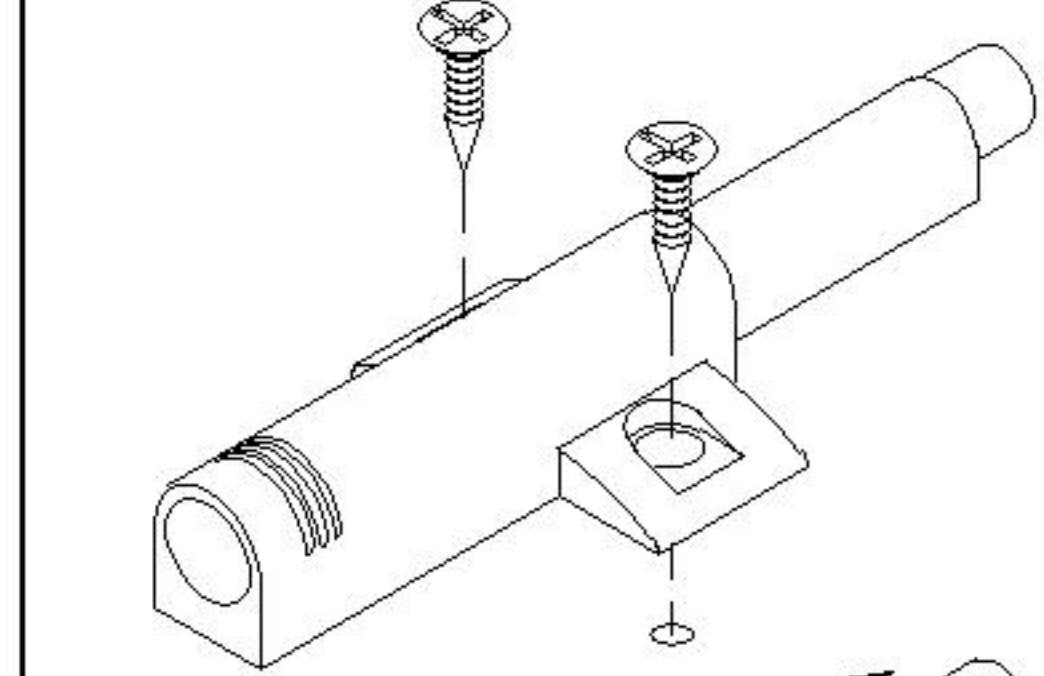
TV11G-A

安装方法/  
Installation method



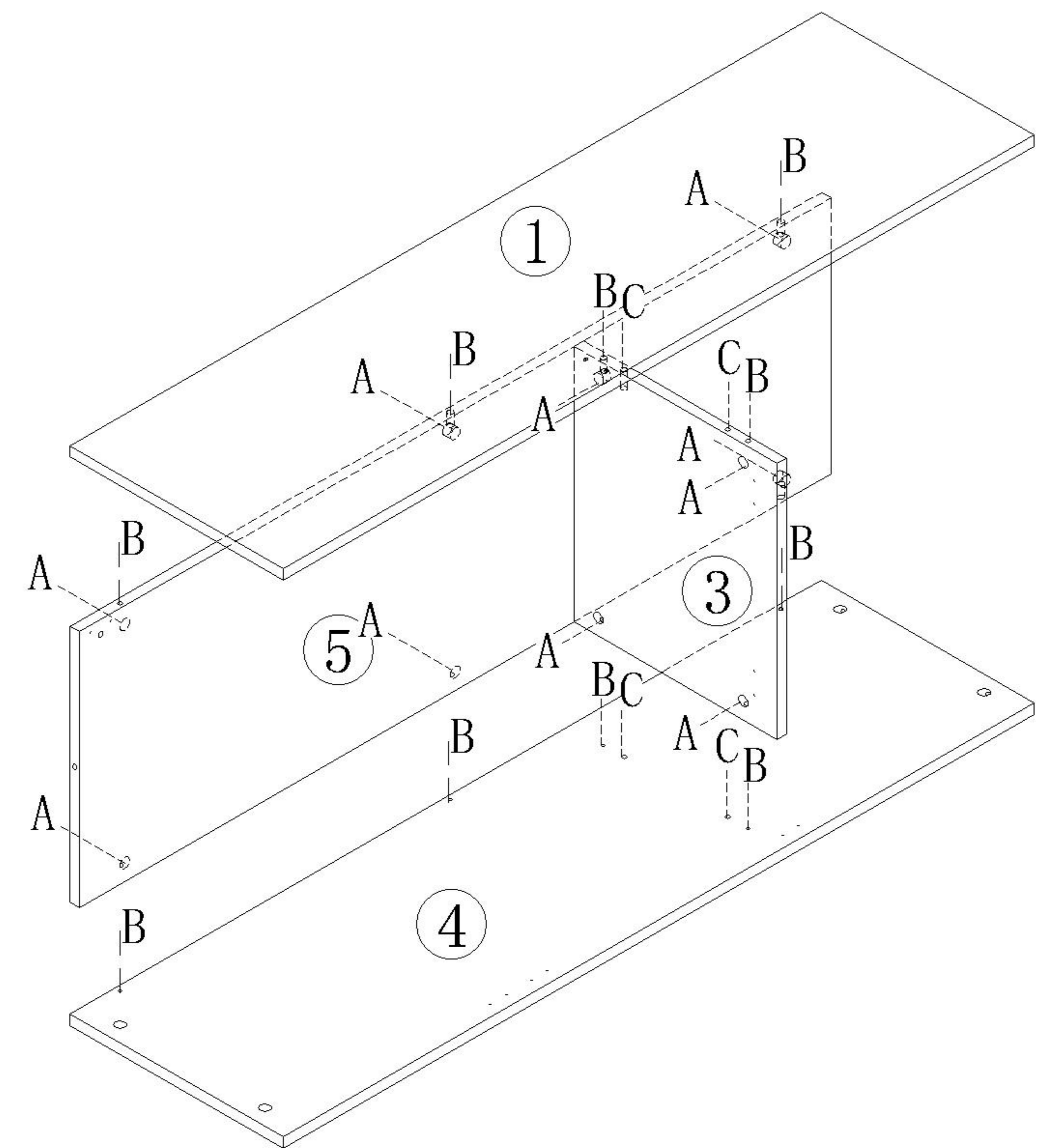
二合一 two-in-one

多余五金, 不需安装  
Redundant hardware,  
no installation required

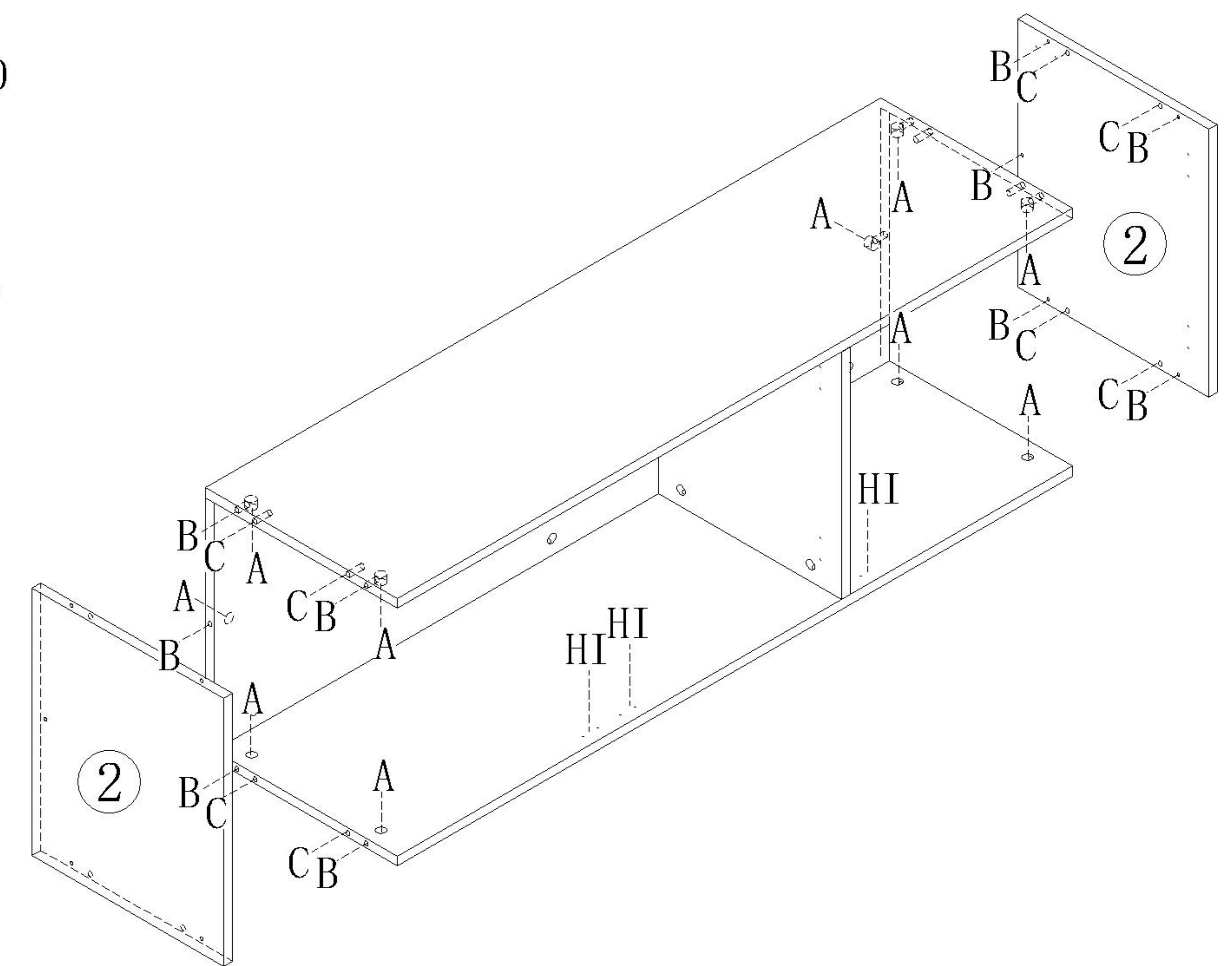


调节长度刚  
好顶住面板  
Adjustment length  
Just against the panel  
反弹器  
Rebounder

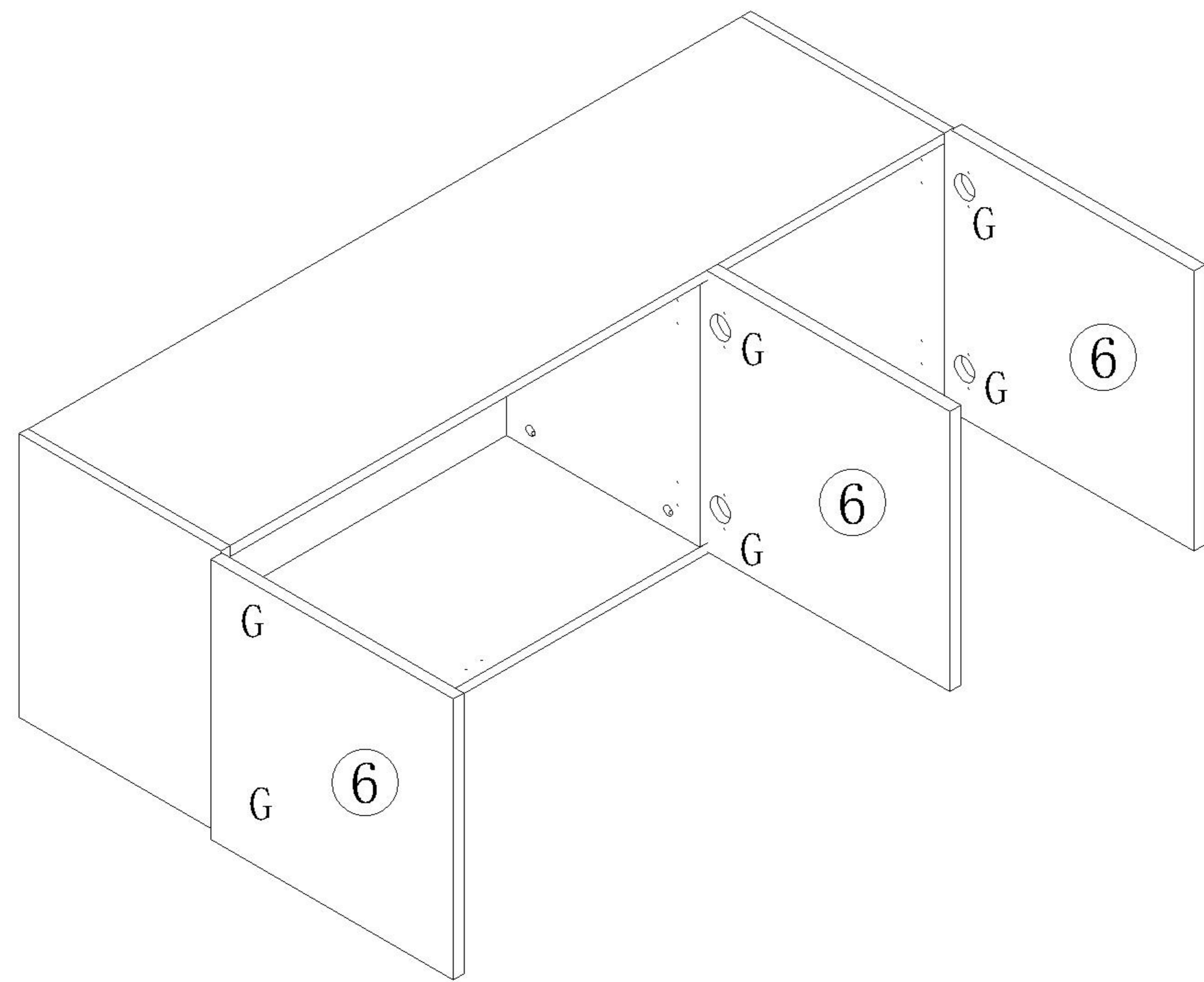
- (A)\*10
- (B)\*10
- (C)\*4



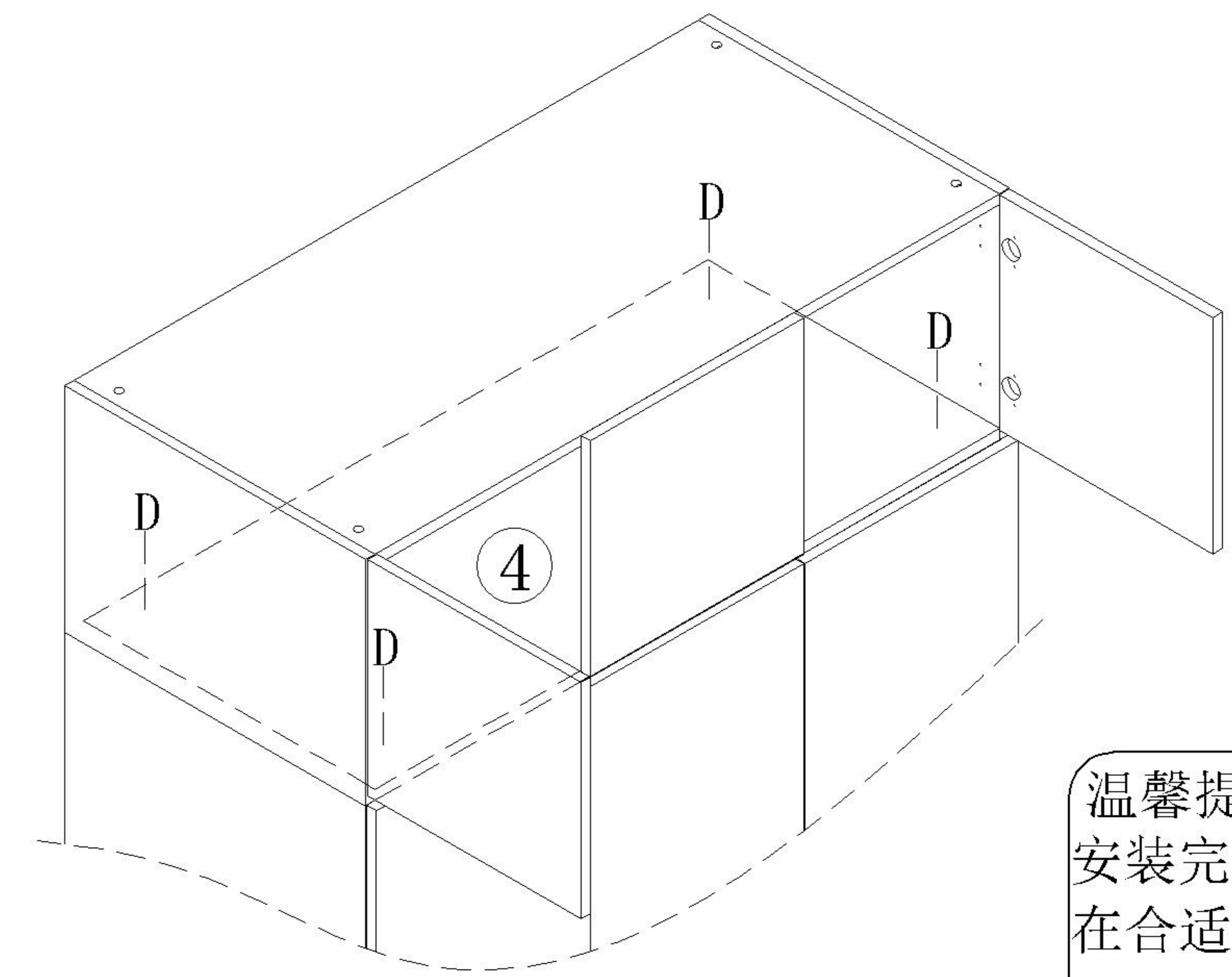
- (A)\*10
- (B)\*10
- (C)\*8
- (H)\*3
- (I)\*6



- (G)\*6



- (D)\*4

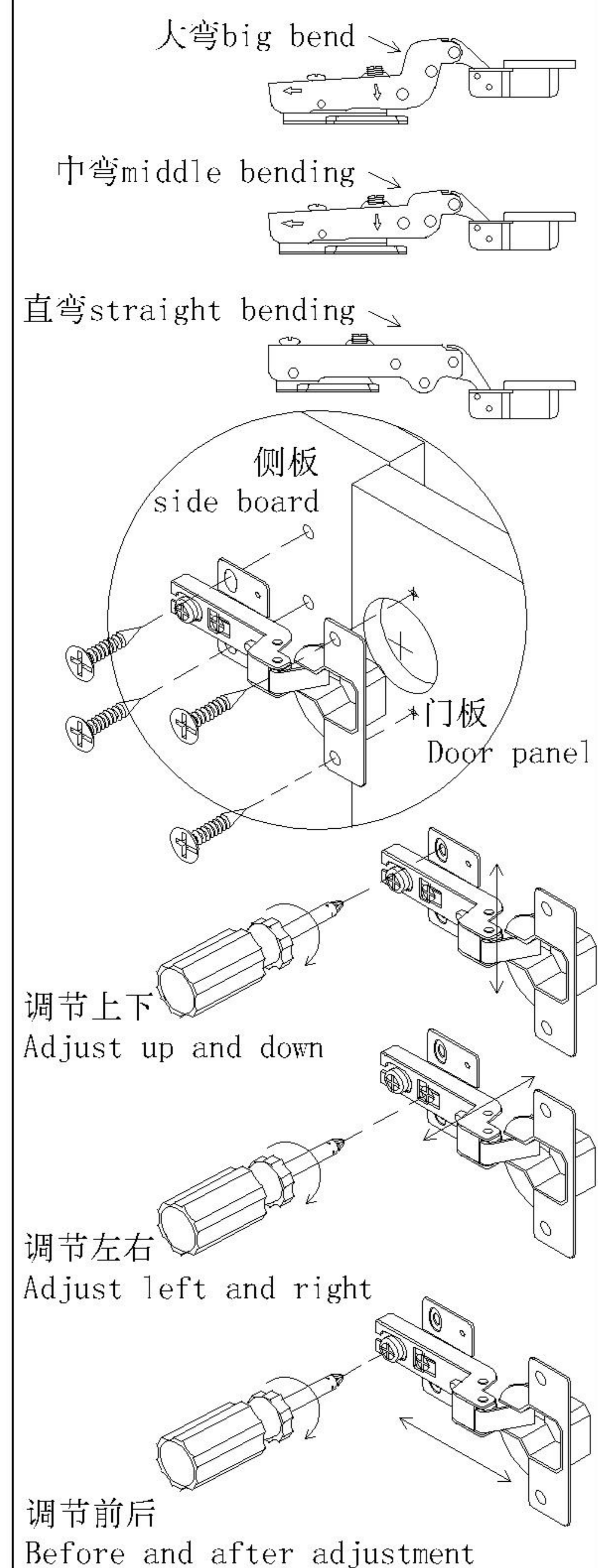


安装方法1  
Installation  
Method 1

温馨提示:  
安装完成后, 与要组合柜子在合适的位置用五金D锁紧  
Tips:  
After installation,  
lock the cabinet in  
place with hardware D

TV11G-A

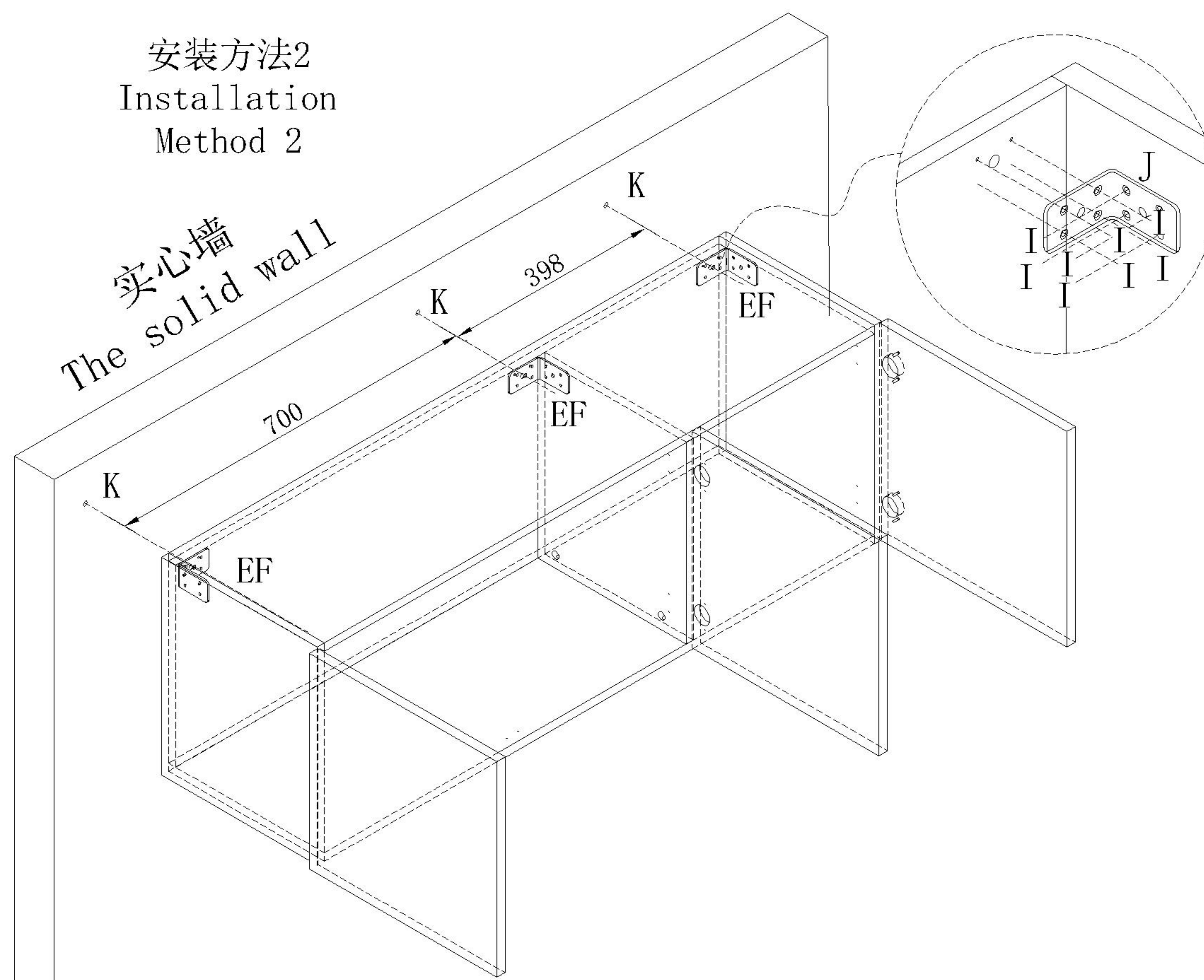
### 安装方法/ Installation method



门铰 Hinge

- (I)\*24
- (J)\*3
- (F)\*3
- (K)\*3
- (E)\*3

### 安装方法2 Installation Method 2



请根据需要选择安装方法1或者2  
Select installation method 1 or 2 as required

注意：实心墙厚度应不少于120mm，以防打穿  
Note: The thickness of the solid wall should not be less than 120mm to prevent penetration

用冲击钻在墙体同一水平位置打 $\phi 8*85$ mm孔，将柜体安装在墙体的合适位置，图为孔之间的距离  
Punch  $\phi 8*85$ mm holes at the same horizontal position of the wall with the impact drill, and install the cabinet at the appropriate position of the wall. The figure shows the distance between the holes