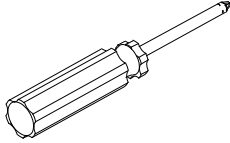
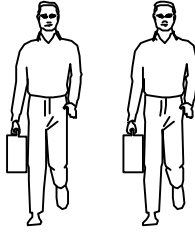

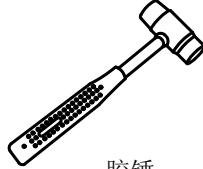
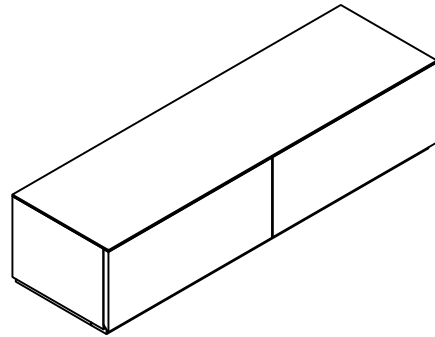



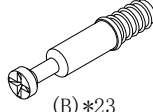
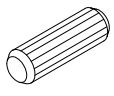
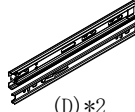
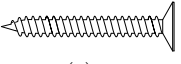
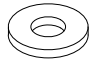
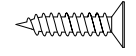
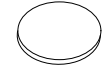

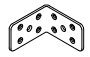
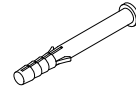
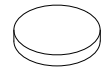
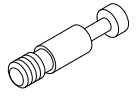

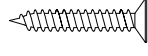
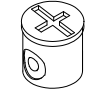
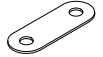
LINSY 林氏家居

安装示意图/Assembly Instruction

产品名称 Model NO.	TV2M-A
产品规格 Specification	1195*349*284MM
安装工具 Tool	安装人数 Installer
	
	
冲击钻 Percussion drill	胶锤 Rubber hammer



五金表/Hardware list

 (A)*3 大三合一锁饼 3-in-1 large lock	 (B)*23 二合一螺杆 2-in-1-screw	 (C)*17 木榫-(\varnothing 8*30mm) Wood tenon	 (D)*2 导轨10寸 Three-section rail
 (E)*3 自攻螺丝M5x100mm Self-tapping screw	 (F)*3 垫片 Gasket	 (G)*12 自攻螺丝M4*25 Tapping screw	 (H)*6 圆形玻璃防滑垫 Non-slip plastic pad
 (I)*51 自攻螺丝M3.5*12 Tapping screw	 (J)*3 角码 corner code	 (K)*3 膨胀螺丝胶塞 Expansion screw rubber plug	 (L)*6 脚垫-灰色毛毡 Foot pad
 (M)*8 小二合一杆 2-in-1 small rod	 (N)*8 小三合一锁饼 3-in-1 small lock	 (O)*8 自攻螺丝 (M4*40mm) Tapping screw	 (P)*8 塑料螺母 Plastic Nut
 (Q)*2 (46*16*1mm)连接件 connecting iron sheet			

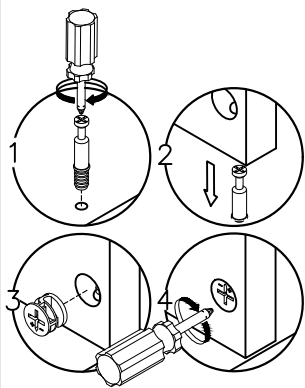
部件表/Parts List

编号NO.	名称Name	规格(MM) Specification	数量QTY	材质Material
1	面板Top panel	1163*330*15	1	三胺板 Melamine
2	底板Bottom board	1163*330*15	1	三胺板 Melamine
3	左侧板Side board(L)	330*254*15	1	三胺板 Melamine
4	右侧板Side board(R)	330*254*15	1	三胺板 Melamine
5	中侧板Middle side board	315*224*15	1	三胺板 Melamine
6	背板Back board	1163*224*15	1	三胺板 Melamine
7	短脚条Short foot strip	272*58*21	3	三胺板 Melamine
8	长脚条Long foot slat	1169*58*21	1	三胺板 Melamine
9	抽屉左侧板Drawer's side board(L)	295*174*12	2	三胺板 Melamine
10	抽屉右侧板Drawer's side board(R)	295*174*12	2	三胺板 Melamine
11	抽屉后板Drawer's Back board	524*174*12	2	三胺板 Melamine
12	抽屉底板Drawer's Bottom board	534*291*5	2	三胺板 Melamine
13	左抽屉面板Drawer's panel(L)	594*252*18	1	三胺板 Melamine
14	右抽屉面板Drawer's panel(R)	594*252*18	1	三胺板 Melamine
15	岩板 Sintered Stone	1195*349*6	1	岩板 Sintered Stone

TV2M-A

安装方法/

Installation method



二合一 two-in-one



(M)*8



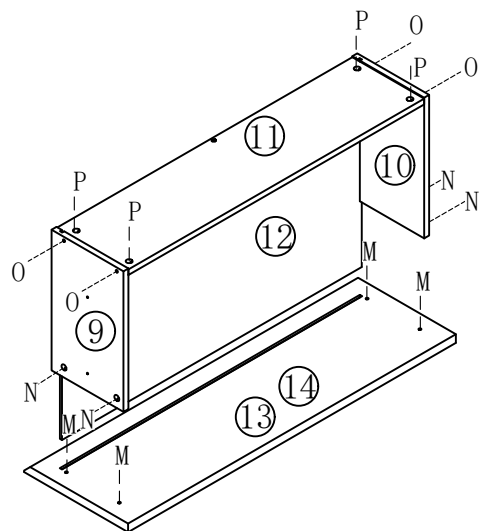
(N)*8



(O)*8



(P)*8



X2

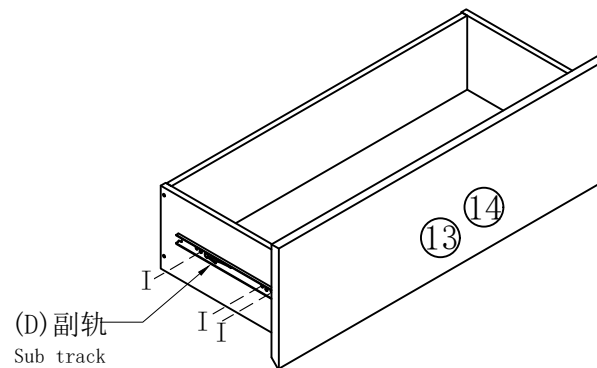
1



(D)*2



(I)*12



(D) 副轨
Sub track

X2

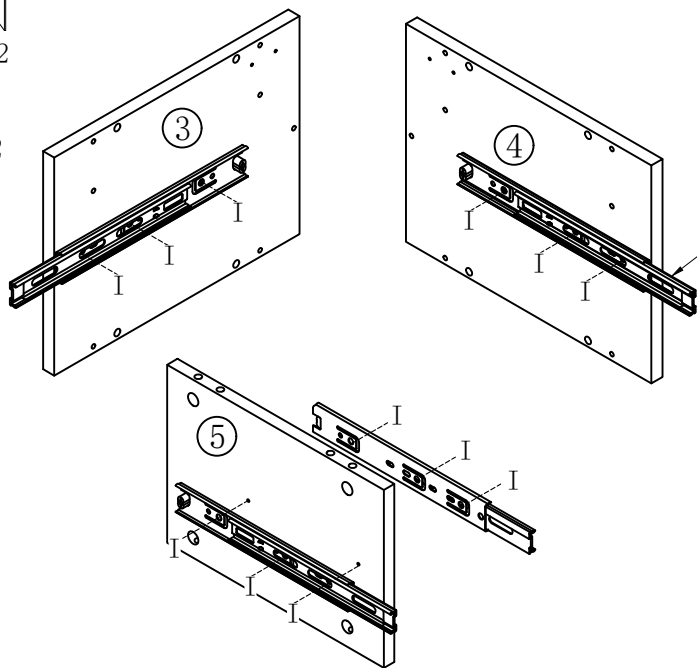
2



(I)*12



(D)*2



(D) 主轨
Main track

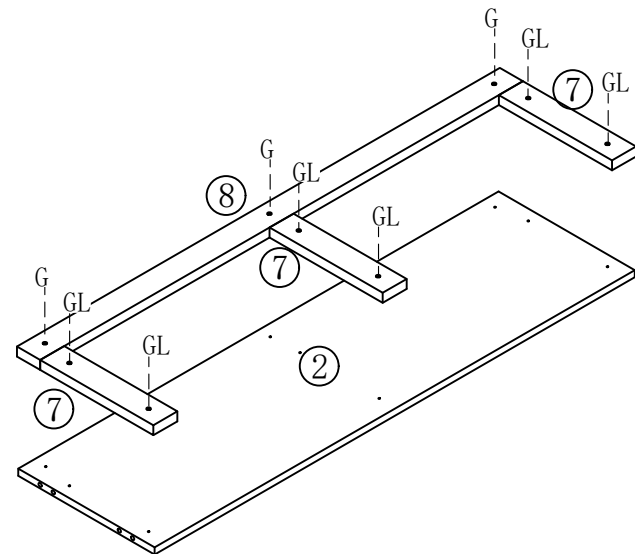
3



(G)*9



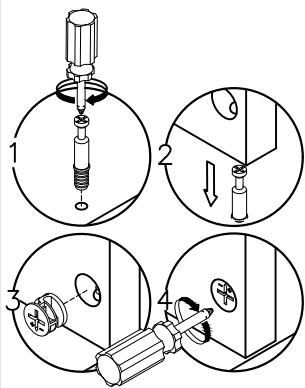
(L)*6



4

TV2M-A

安装方法/
Installation method



二合一 two-in-one



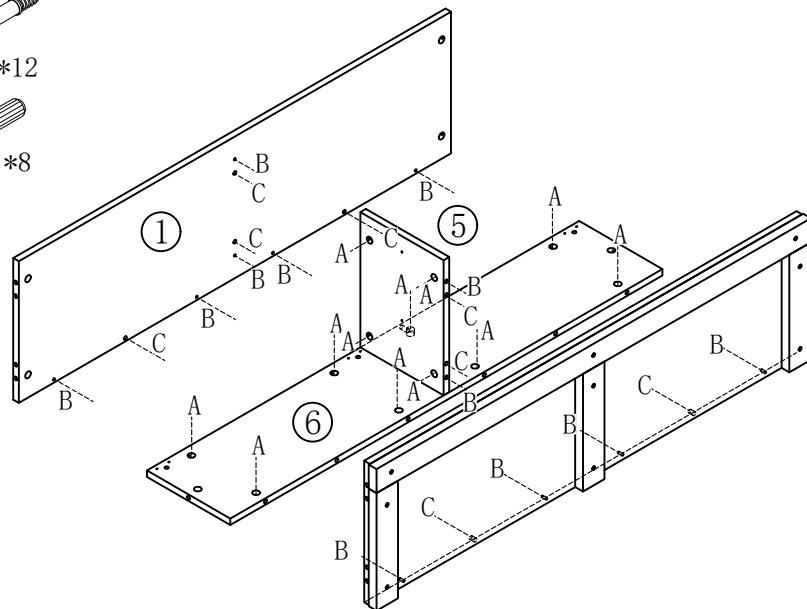
(A)*12



(B)*12



(C)*8



5



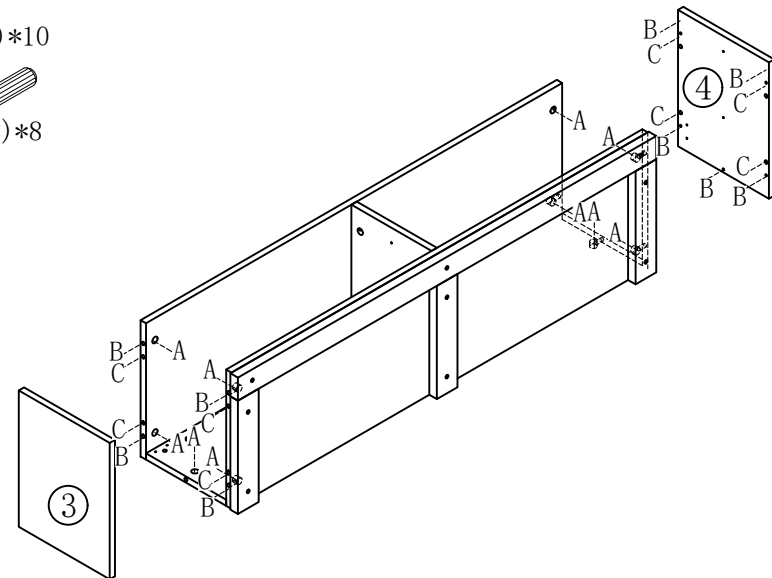
(A)*10



(B)*10



(C)*8



6



(I)*24



(J)*3



(F)*3



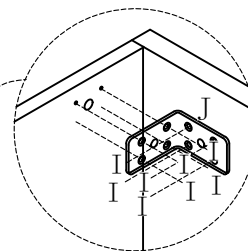
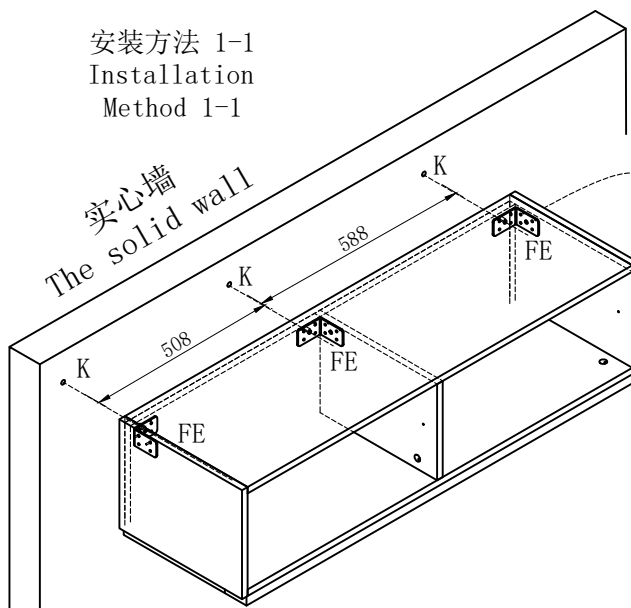
(K)*3



(E)*3

安装方法 1-1
Installation
Method 1-1

实心墙
The solid wall



请根据需要选择安装方法1或者2

Select installation method 1 or 2 as required

注意：实心墙厚度应不少于120mm，以防打穿
Note: The thickness of the solid wall
should not be less than 120mm to prevent
penetration

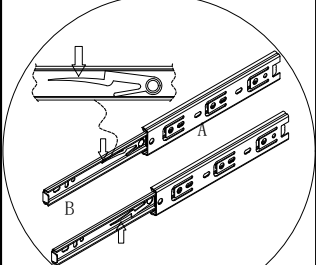
用冲击钻在墙体同一水平位置打 $\varnothing 8 \times 85$ mm孔，将柜
体安装在墙体的合适位置，图为孔之间的距离
Punch $\varnothing 8 \times 85$ mm holes at the same horizontal
position of the wall with the impact drill,
and install the cabinet at the appropriate
position of the wall. The figure shows the
distance between the holes

7

TV2M-A

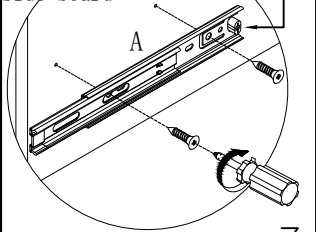
安装方法/
Installation method

1
阀门开关(下压为开)
Valve switch
(press down to open)

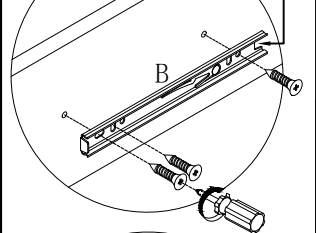


注: 先将A与B拆下来
Note: remove a and B first

2
侧板
side board
后after



3
抽屉侧板
sideboard
of the drawer
后after

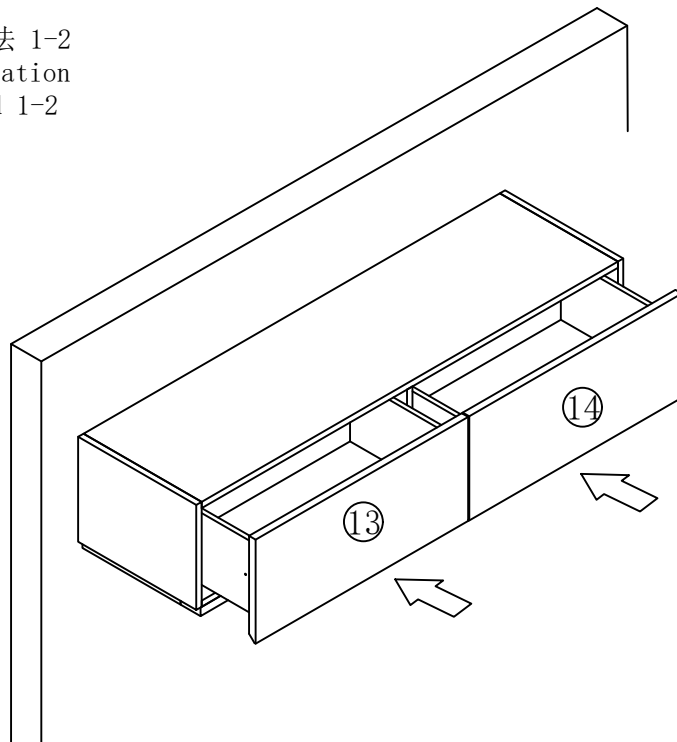


4
5
A
B



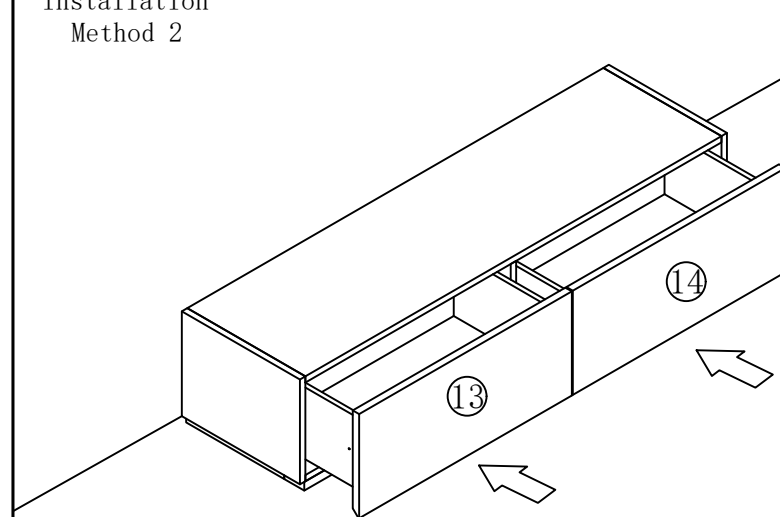
注: 将B对准A后推进去
Note: align B with a
and push it in
三节滚珠导轨
three-section ball rail

安装方法 1-2
Installation
Method 1-2



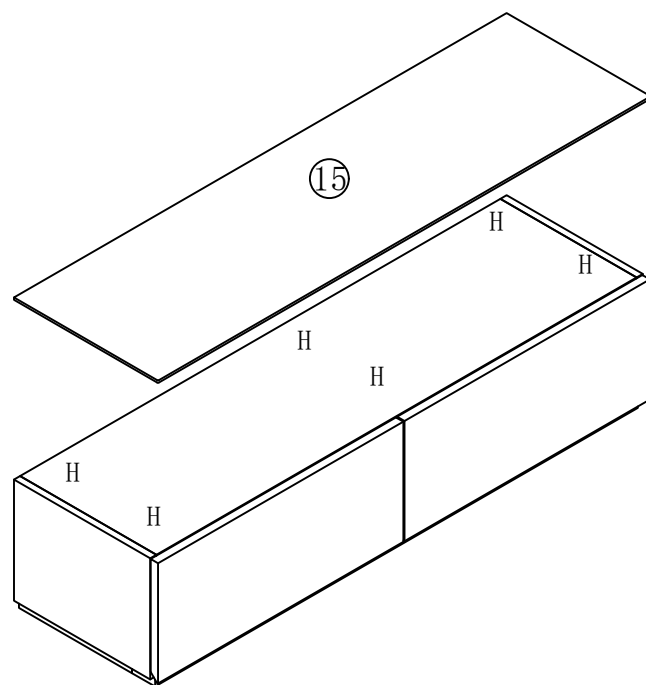
8

安装方法 2
Installation
Method 2



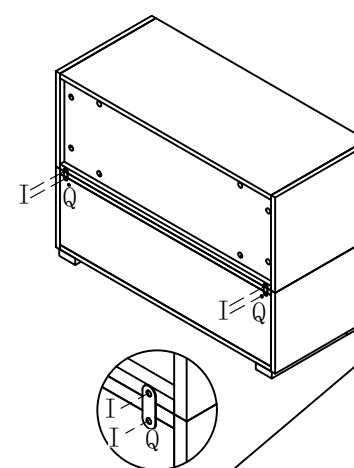
9

(H)*6



10

(Q)*2
(I)*4
(G)*2



如购买其他柜需组合,
请用五金QI、G锁紧

If other cabinets
need to be combined,
please lock them
with hardware QI、G

