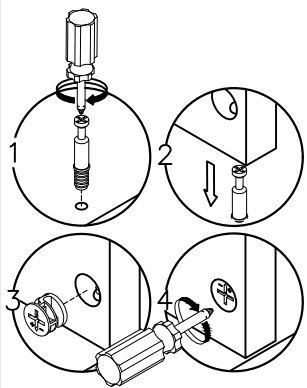


TV2M-A

安装方法/
Installation method



二合一 two-in-one



(M)*8



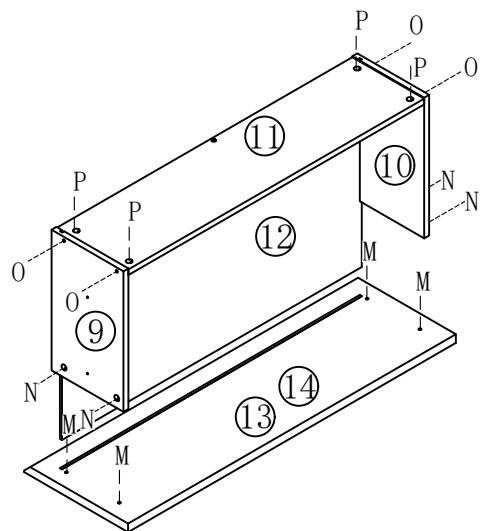
(N)*8



(O)*8



(P)*8



X2

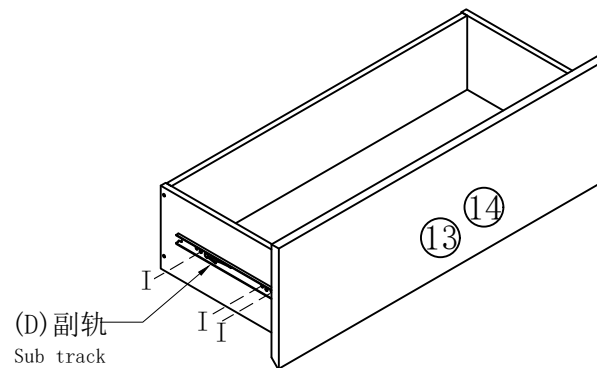
1



(D)*2



(I)*12



(D) 副轨
Sub track

X2

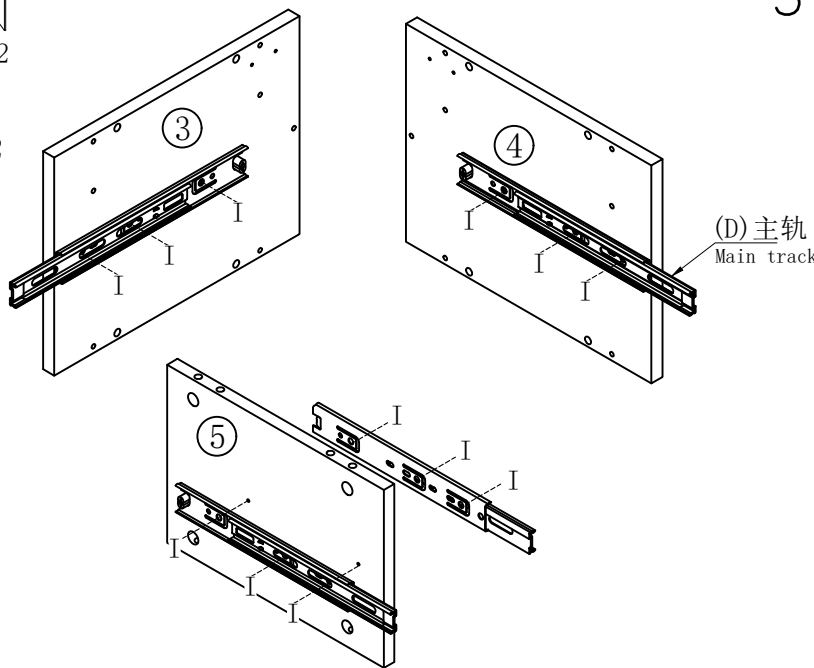
2



(I)*12



(D)*2



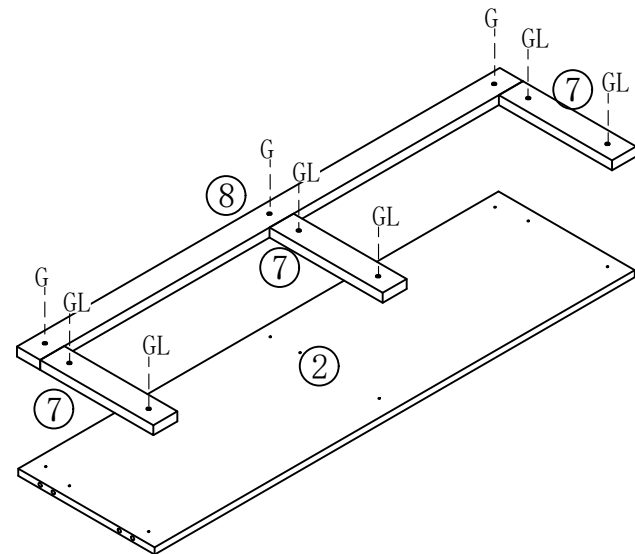
3



(G)*9



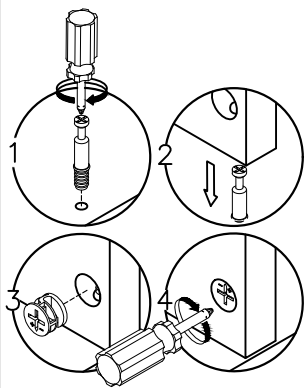
(L)*6



4

TV2M-A

安装方法/
Installation method



二合一 two-in-one



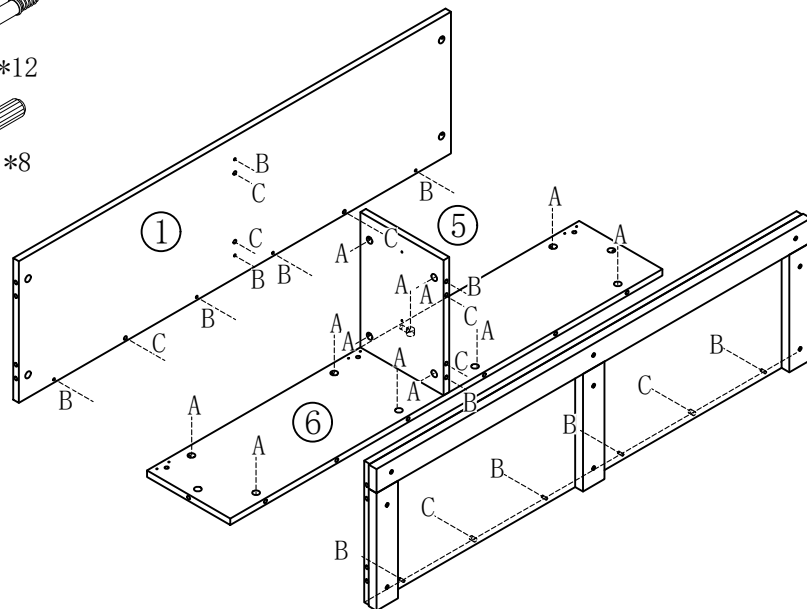
(A)*12



(B)*12



(C)*8



5



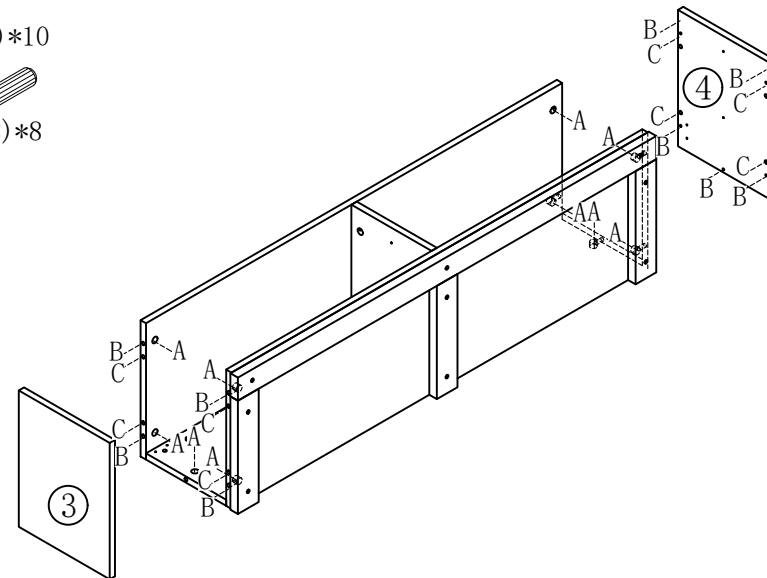
(A)*10



(B)*10



(C)*8



6



(I)*24



(J)*3



(F)*3



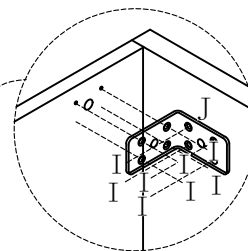
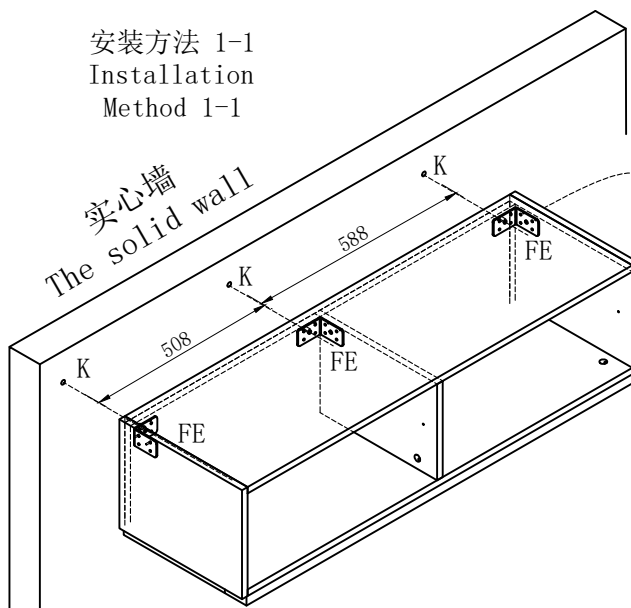
(K)*3



(E)*3

安装方法 1-1
Installation
Method 1-1

实心墙
The solid wall



请根据需要选择安装方法1或者2

Select installation method 1 or 2 as required

注意：实心墙厚度应不少于120mm，以防打穿
Note: The thickness of the solid wall
should not be less than 120mm to prevent
penetration

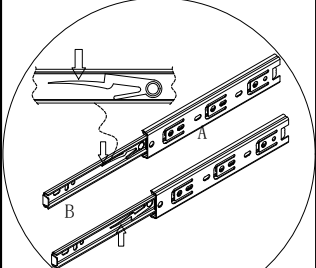
用冲击钻在墙体同一水平位置打 $\varnothing 8 \times 85$ mm孔，将柜
体安装在墙体的合适位置，图为孔之间的距离
Punch $\varnothing 8 \times 85$ mm holes at the same horizontal
position of the wall with the impact drill,
and install the cabinet at the appropriate
position of the wall. The figure shows the
distance between the holes

7

TV2M-A

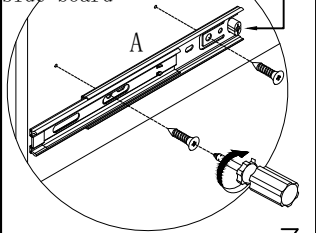
安装方法/
Installation method

1
阀门开关(下压为开)
Valve switch
(press down to open)

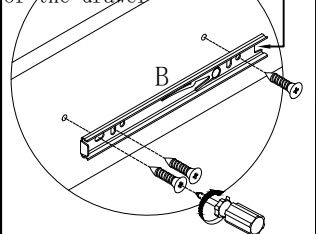


注: 先将A与B拆下来
Note: remove a and B first

2
侧板
side board
后after



3
抽屉侧板
sideboard
of the drawer
后after

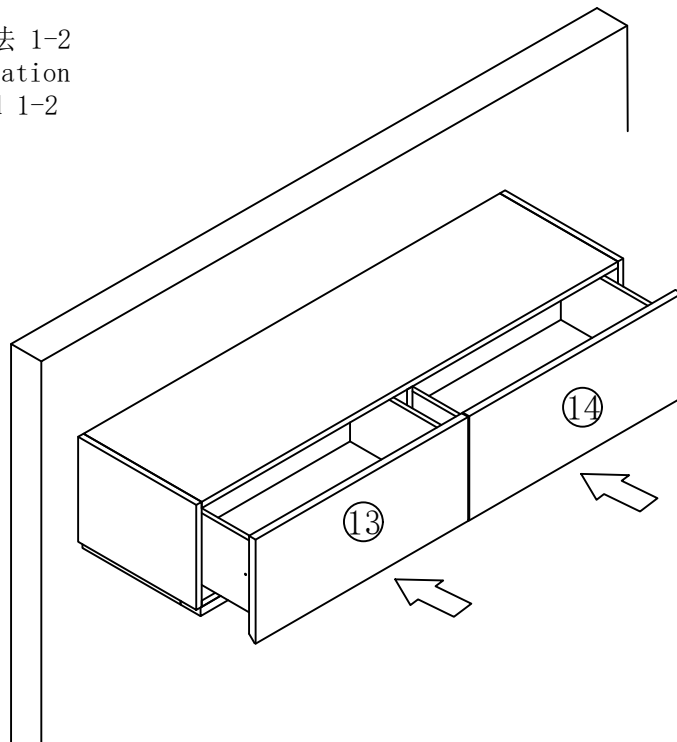


4
5
注: 将B对准A后推进去
Note: align B with a
and push it in



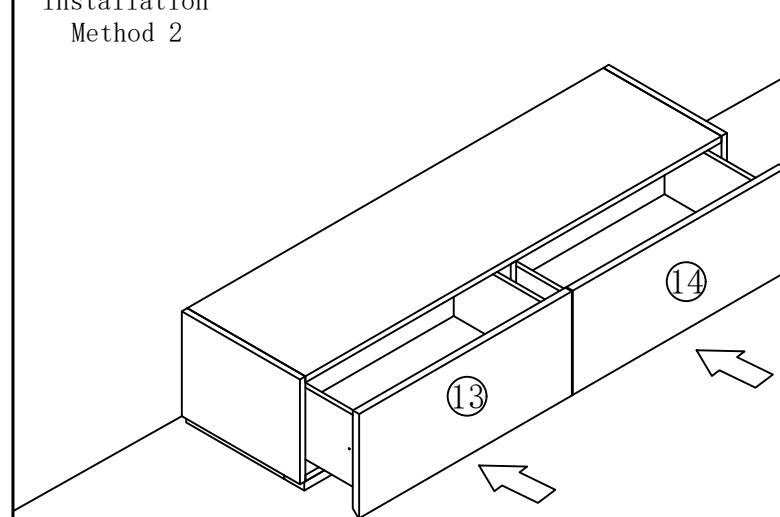
三节滚珠导轨
three-section ball rail

安装方法 1-2
Installation
Method 1-2



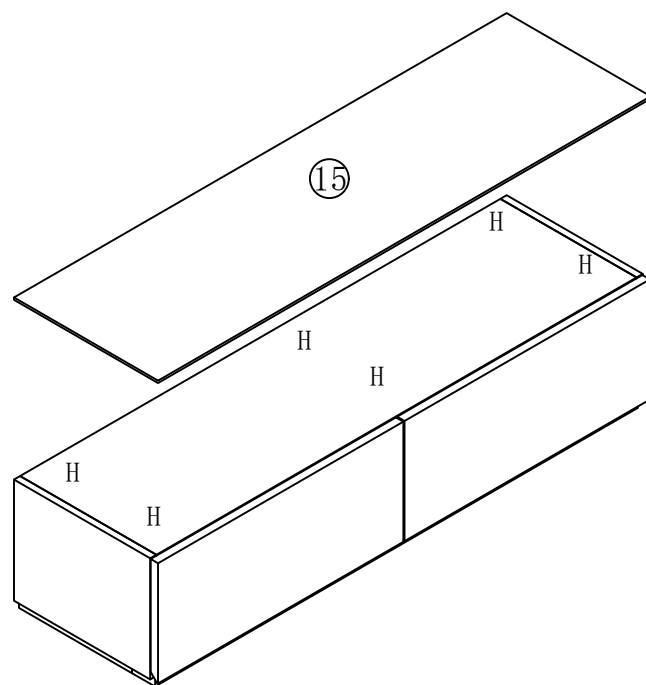
8

安装方法 2
Installation
Method 2



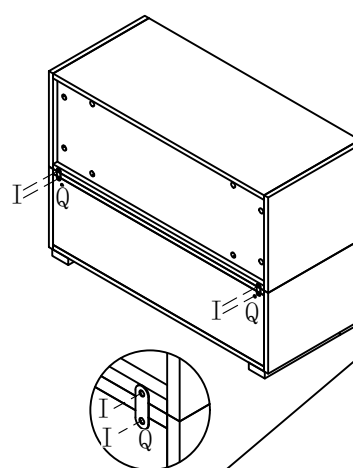
9

(H)*6



10

(Q)*2
(I)*4
(G)*2



如购买其他柜需组合,
请用五金QI、G锁紧

If other cabinets
need to be combined,
please lock them
with hardware QI、G

