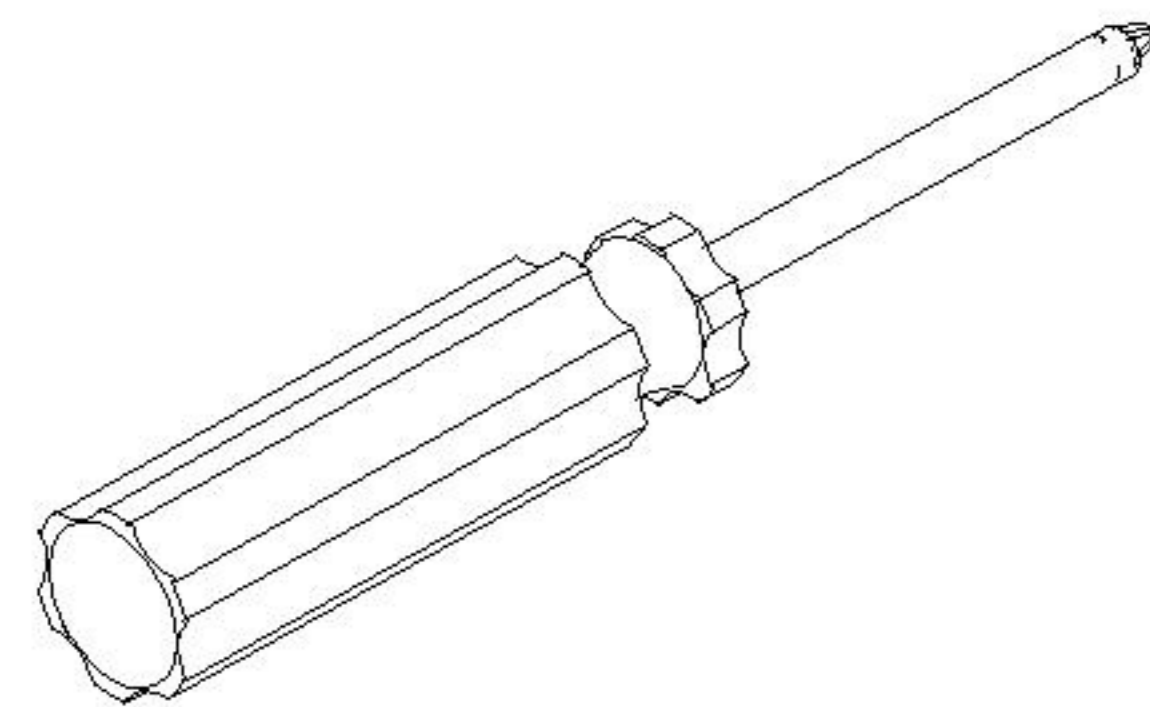
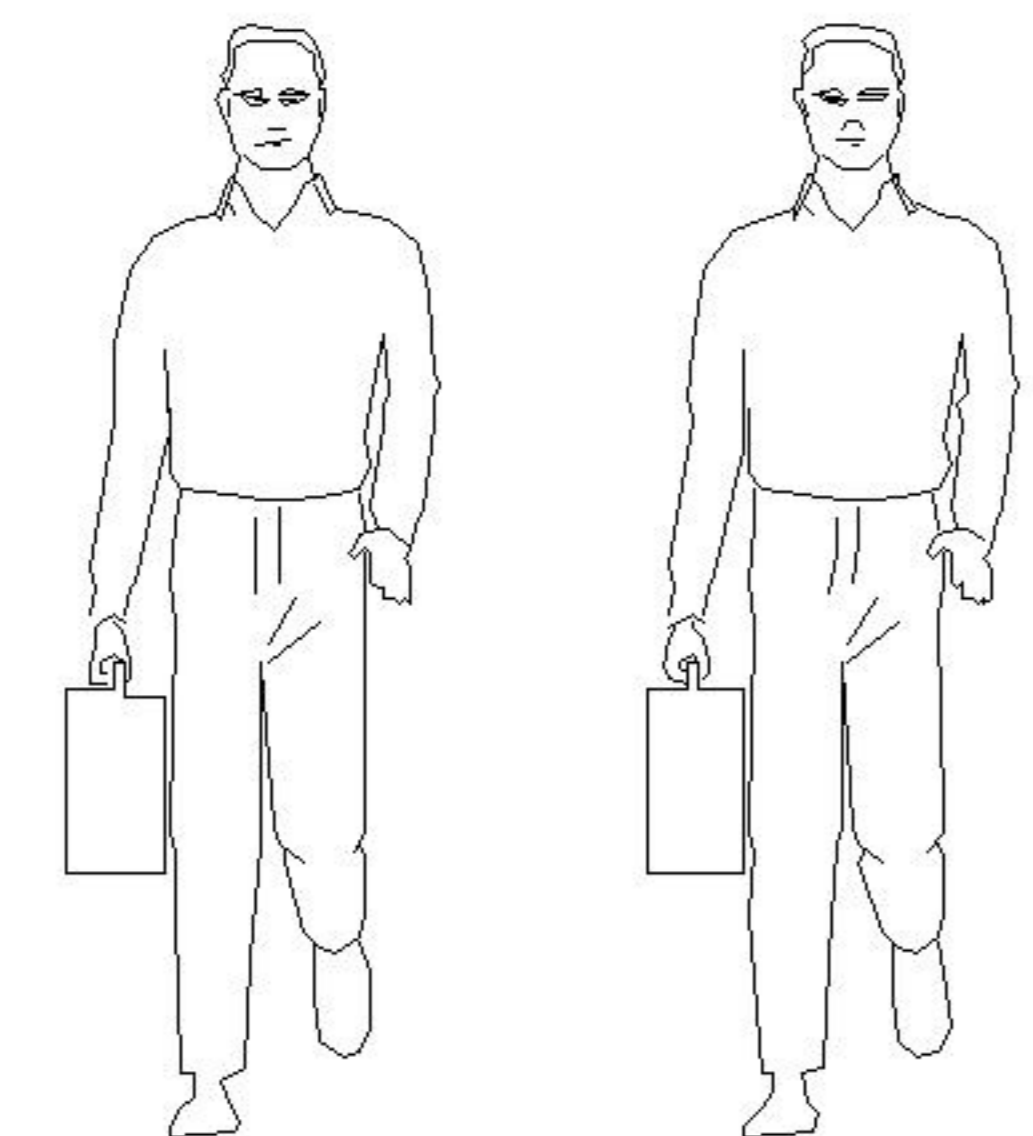


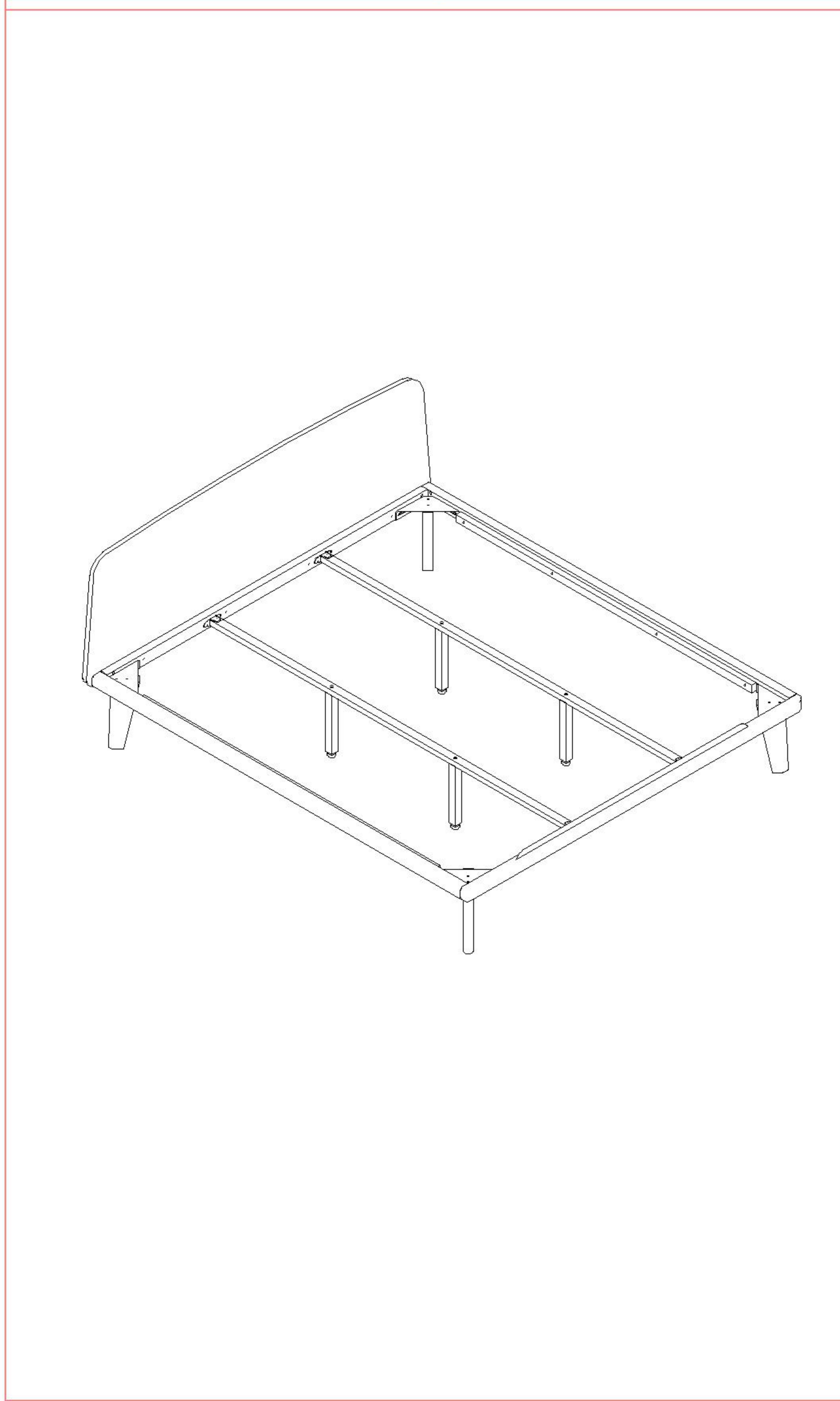
LINSY 林氏家居

五金表/Hardware list

部件表/Parts List

安装示意图/Assembly Instruction

产品名称 Model NO.	PK7A-A(1.8m)
产品规格 Specification	2077*1856*857mm
安装工具 Tool	安装人数 Installer
	

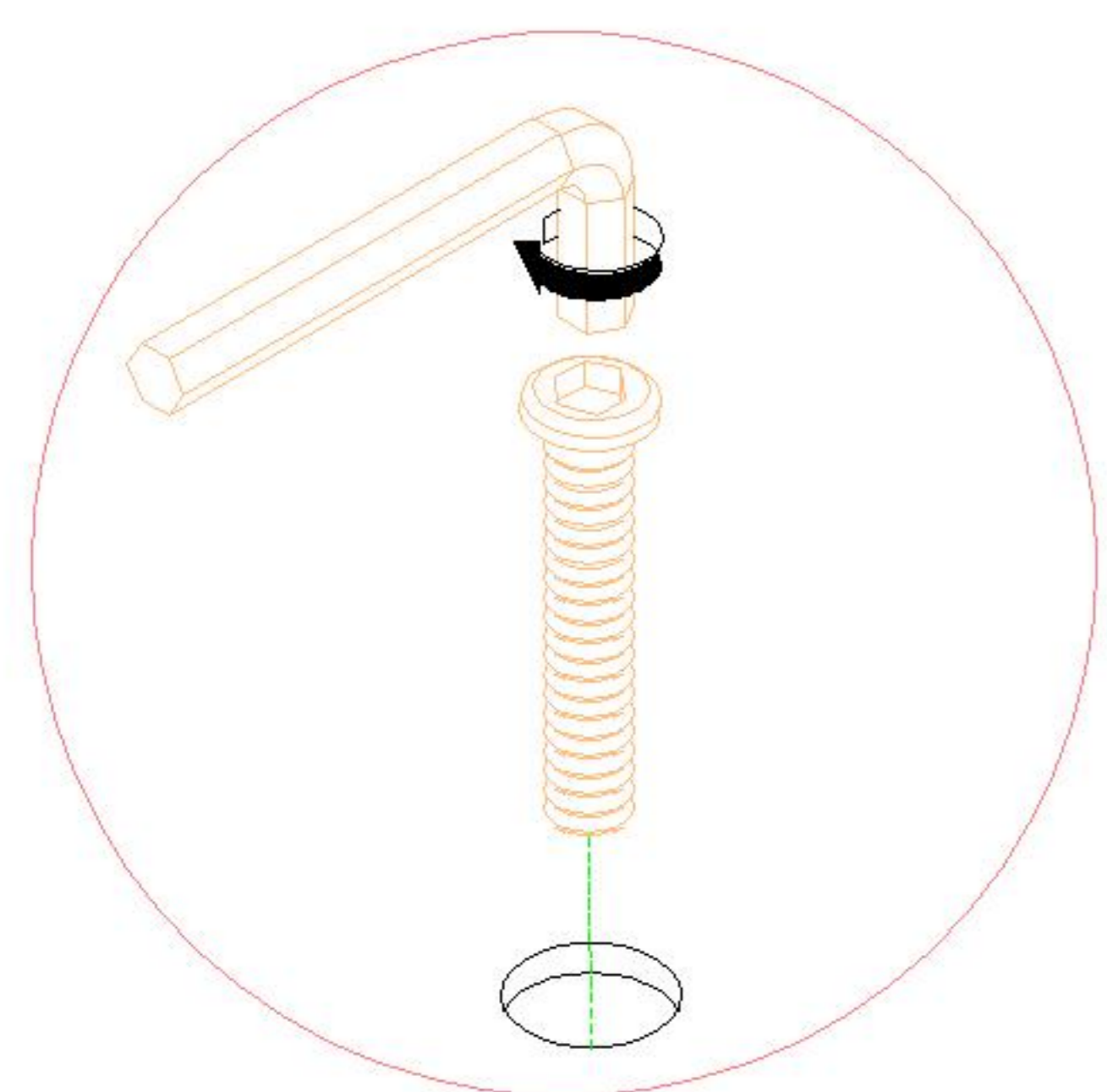


 (A)*1 5mm内六角扳手 Wrench-(5mm)	 (B)*16 锤母-(M8*15mm) Hammer nut	 (C)*4 角码177*177*41mm Corner code	 (D)*16 斜边内六角螺柱M8*80mm Beveled hexagon socket screw
 (E)*4 全牙螺柱(M8*70mm) Threaded rod(M7*80mm)	 (F)*4 五合一月牙 Five-in-one crescent	 (G)*8 外六角螺母-M8 Hexagon Nut-(M8)	 (H)*4 灰色毛毡垫Φ25*3 Grey felt pad
 (I)*2 L型角码14x21x1.5 L-shaped corner code	 (J)*16 斜边十字螺柱M8*20mm Bevel cross screw	 (K)*8 斜边十字螺柱M6*35mm Bevel cross screw	 (L)*42 自攻螺丝M4*16 Self-tapping screw
 (M)*4 Φ30mm调节五金脚 Adjustable hardware foot	 (N)*4 五金件-公连接件 Male hardware	 (O)*4 五金件-母连接件 Female hardware	 (P)*1 排骨架1740*1960*16 Row skeleton
 (Q)*17 排骨架自带螺丝M4*30 Self-tapping screw included in frame	 (R)*4 L=90mm 黑色垫片15*3 Black gasket	 (S)*1 开口扳手-14mm Open End Wrench-(14mm)	 (T)*4 斜边内六角螺柱M8x110 Beveled hexagon socket head screw

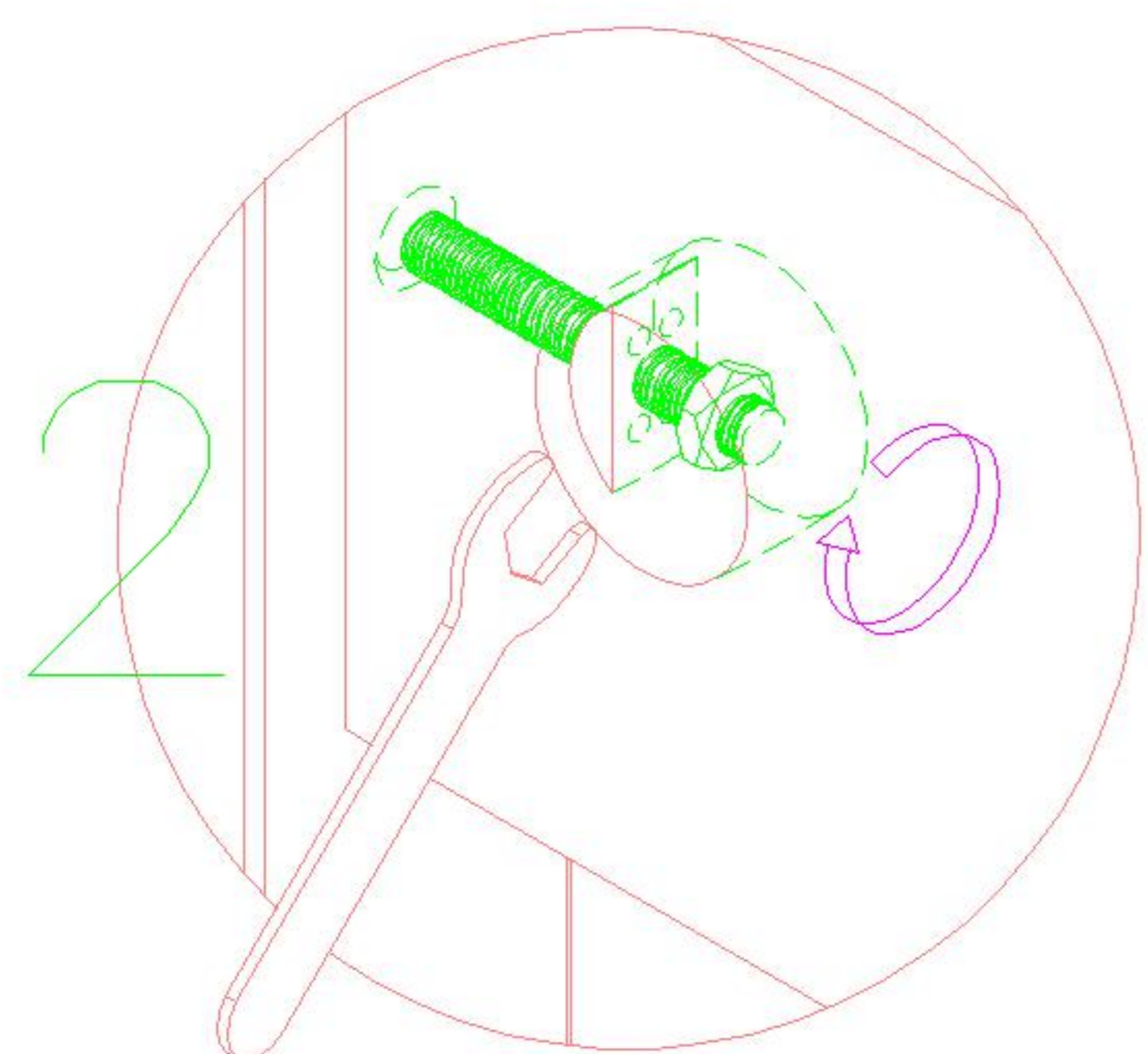
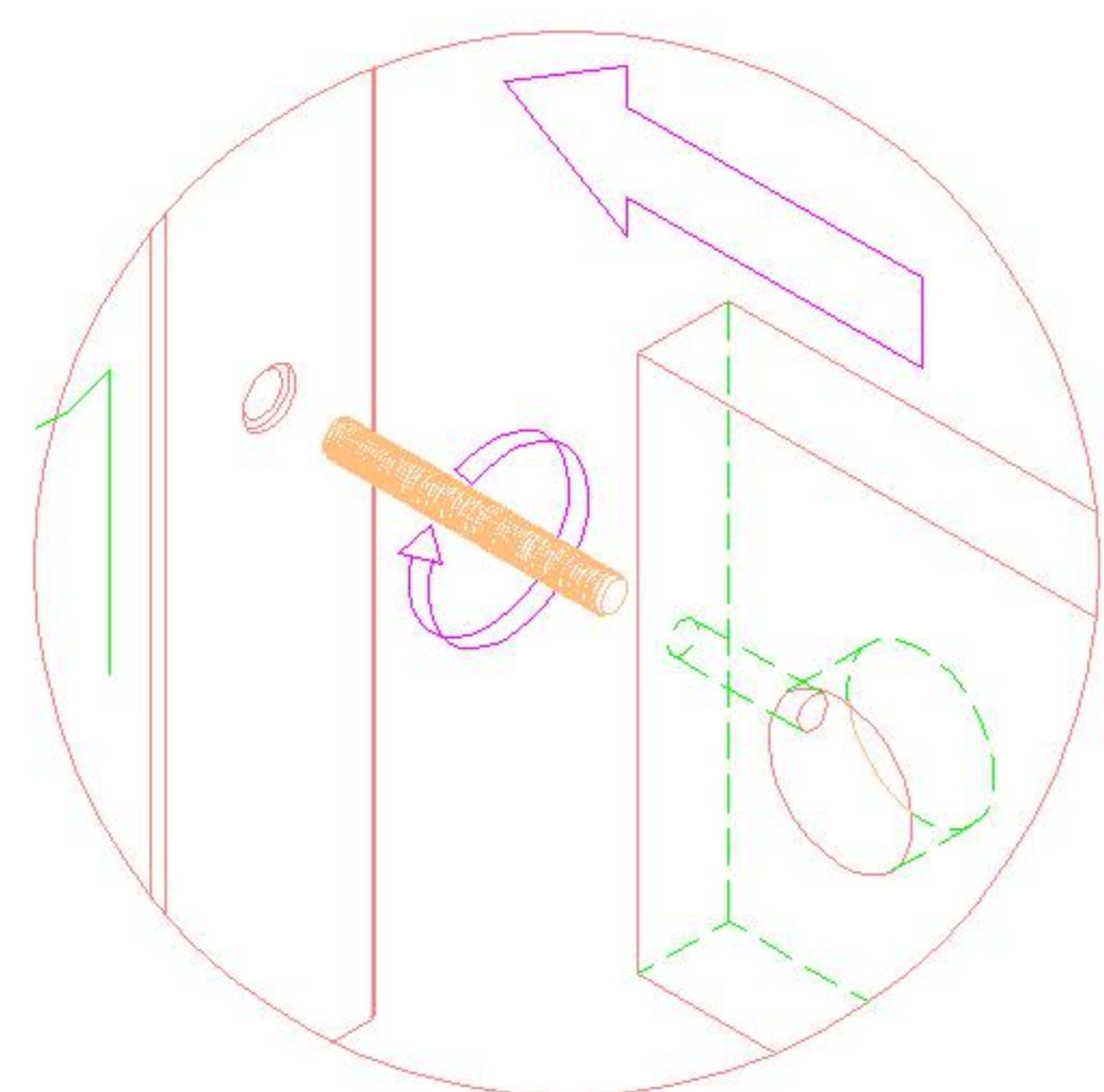
编号NO.	名称Name	规格(mm) Specification	数量QTY	材质Material
①	床头主板Bed headboard	1856*600*45	1	实木 Wood
②	床头Head bed	1742*54*35	1	实木 Wood
③	左床侧Bedside(L)	1997*54*45	1	实木 Wood
④	右床侧Bedside(R)	1997*54*45	1	实木 Wood
⑤	床尾Bed tail	1832*79*35	1	实木 Wood
⑥	脚Foot	288*140*50	4	实木 Wood
⑦	床侧加厚条 Bedside thickened strip	1582*35*25	2	实木 Wood
⑧	床板托条 Bed board support strip	1948*50*25	2	实木 Wood
⑨	中脚Middle foot	250*35*35	4	实木 Wood

PK7A-A (1.8m)

安装方法/
Installation method

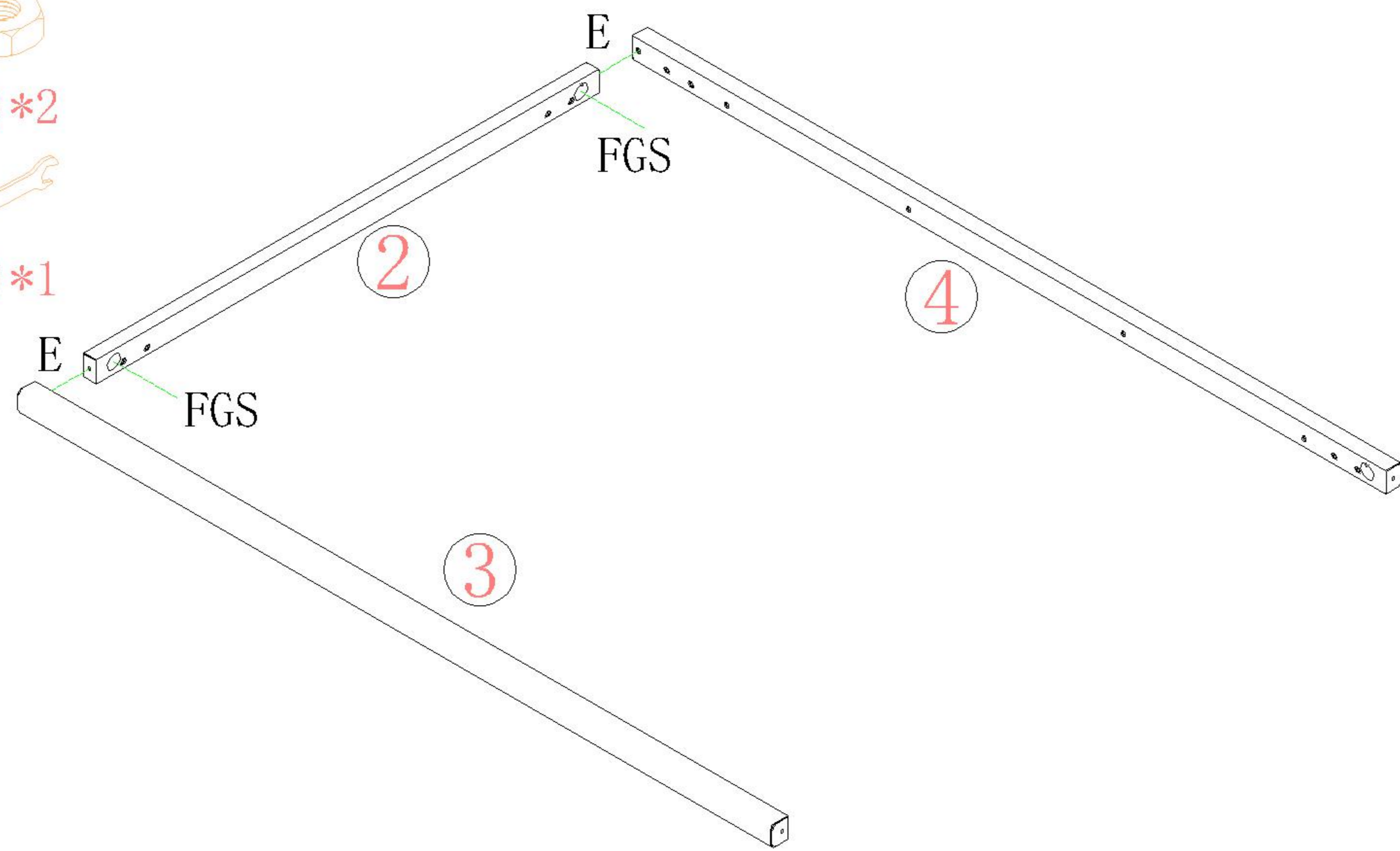


斜边内六角螺杆
Beveled hexagon socket head screw

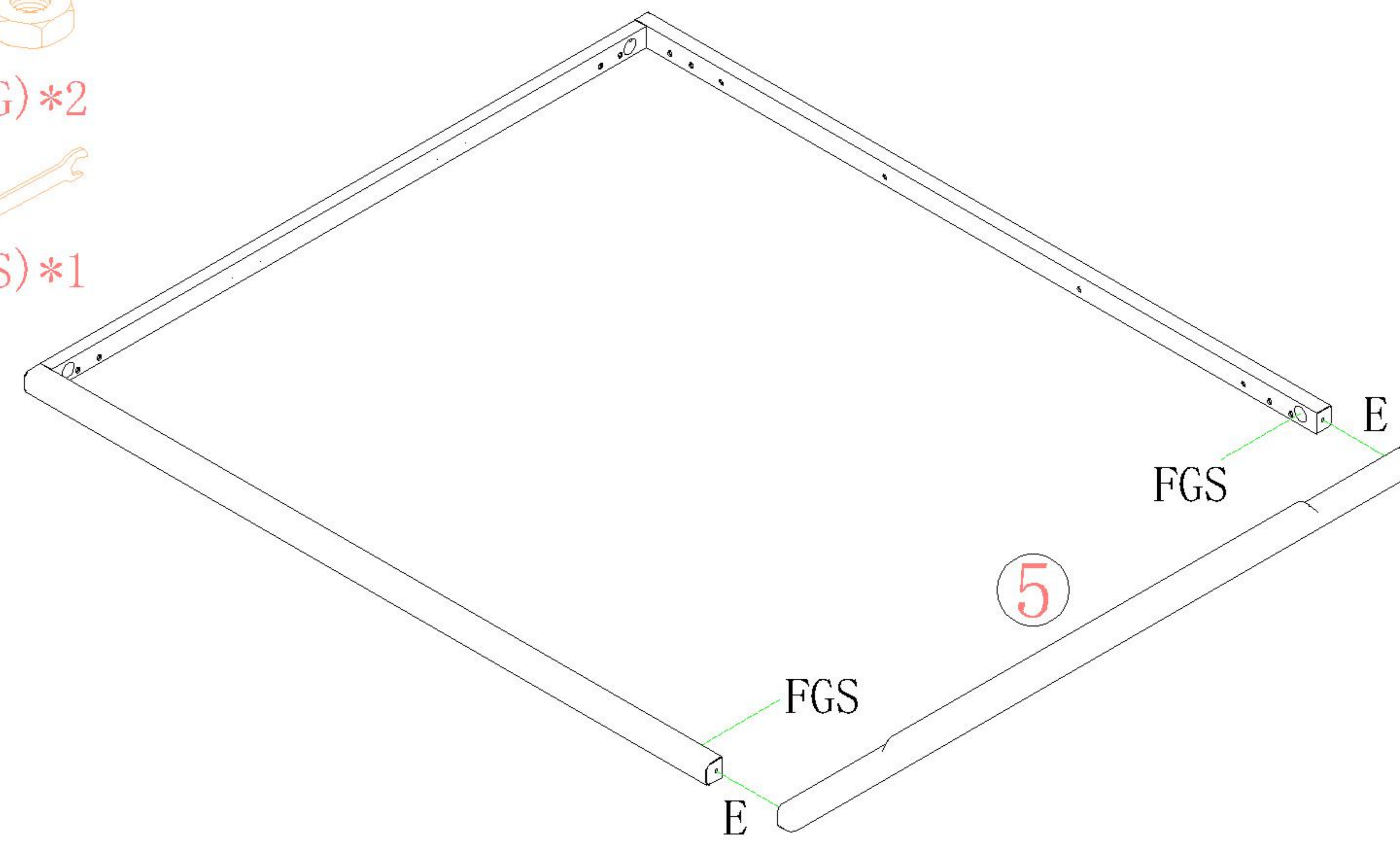


五合一
5-in-1

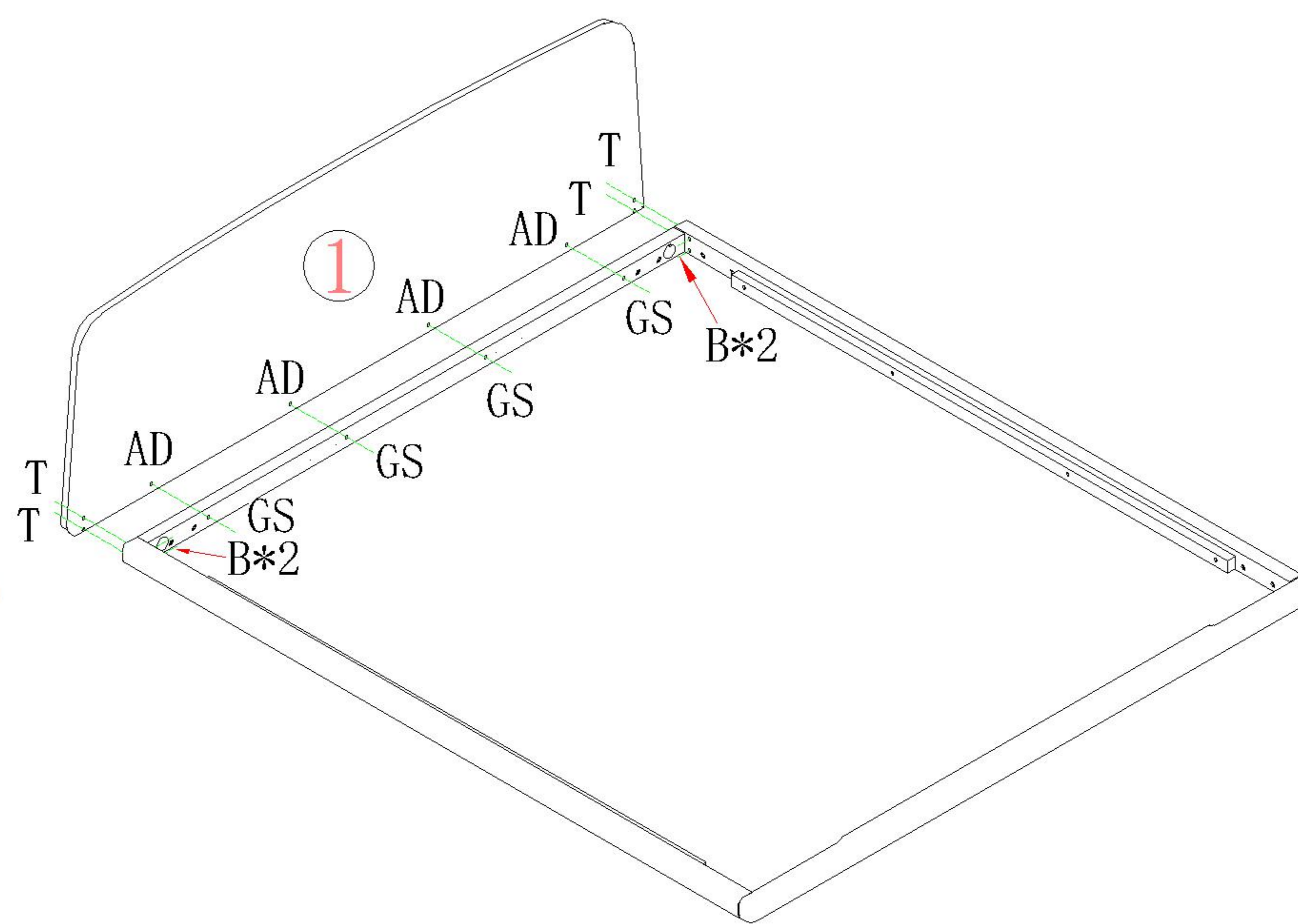
- (E)*2
- (F)*2
- (G)*2
- (S)*1



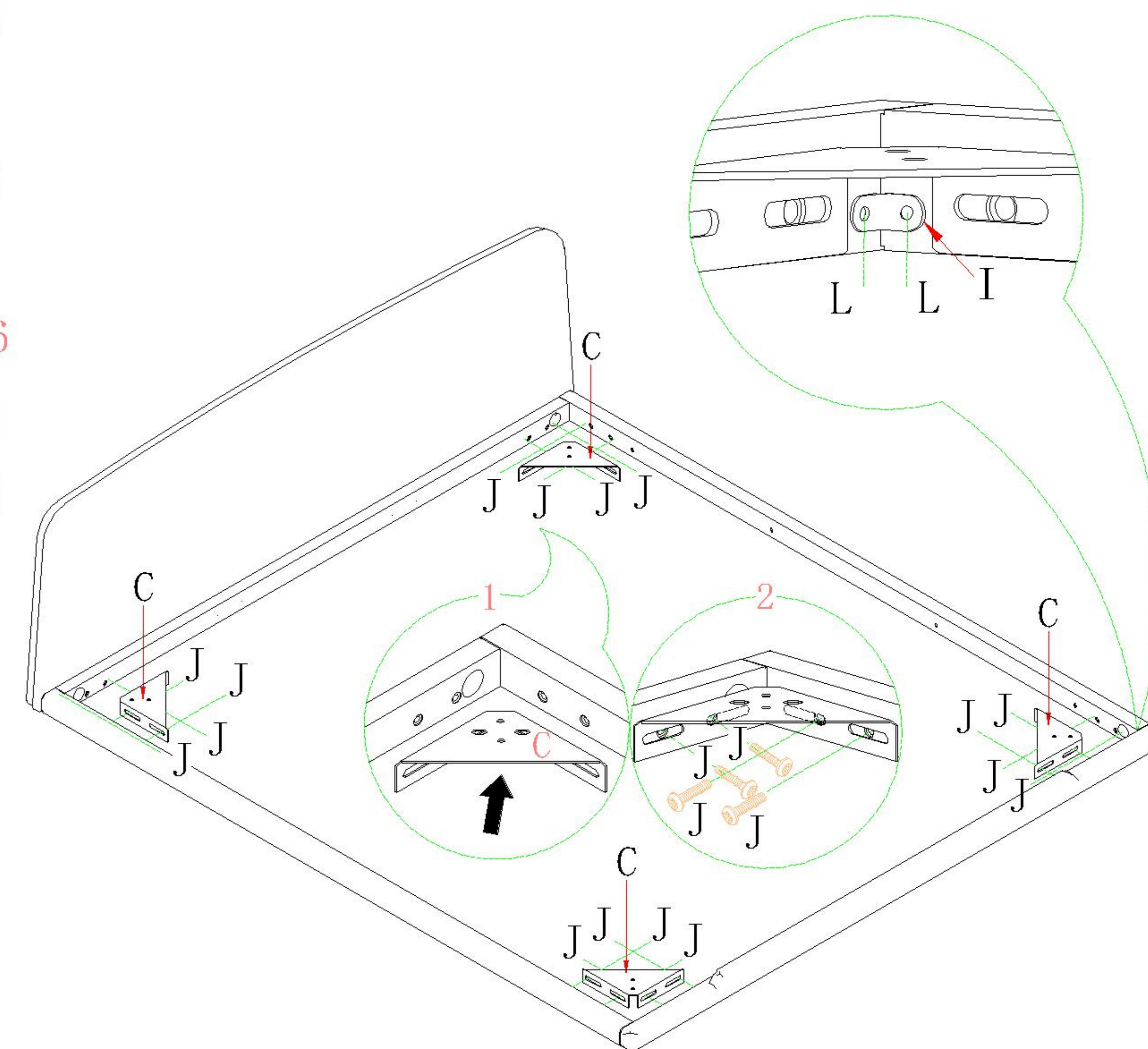
- (E)*2
- (F)*2
- (G)*2
- (S)*1



- (A)*1
- (B)*4
- (D)*4
- (G)*4
- (S)*1
- (T)*4

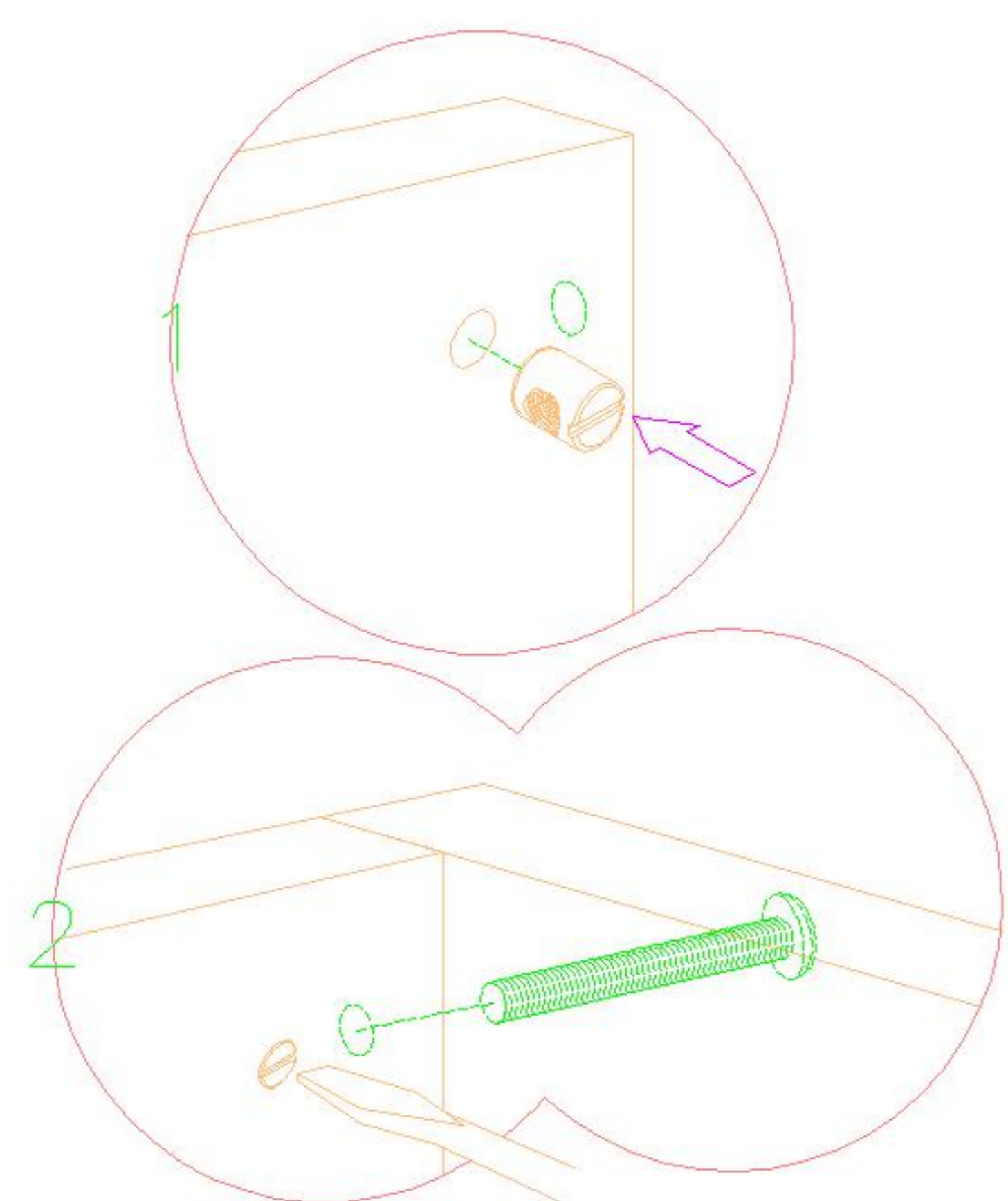


- (C)*4
- (I)*2
- (J)*16
- (L)*4

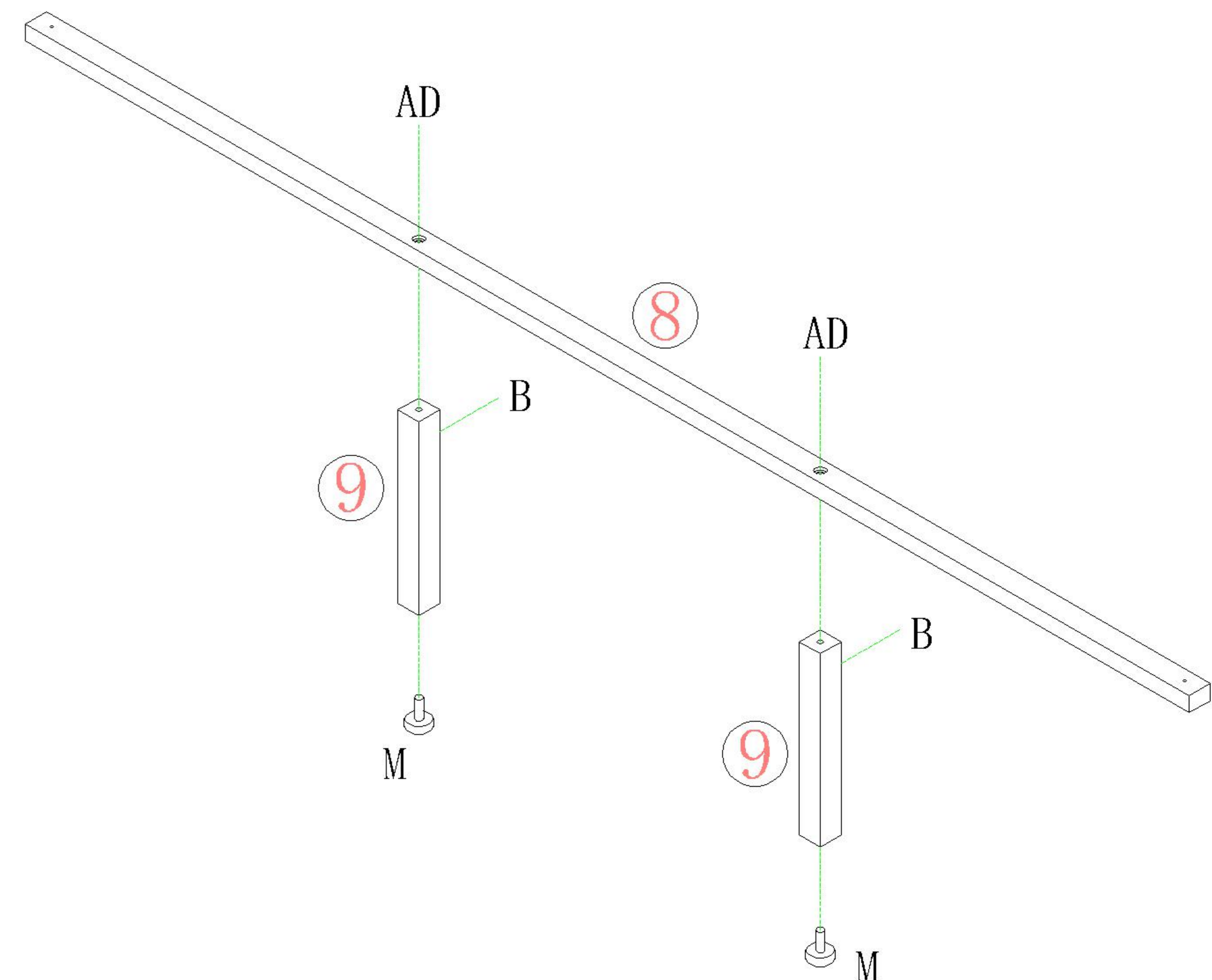
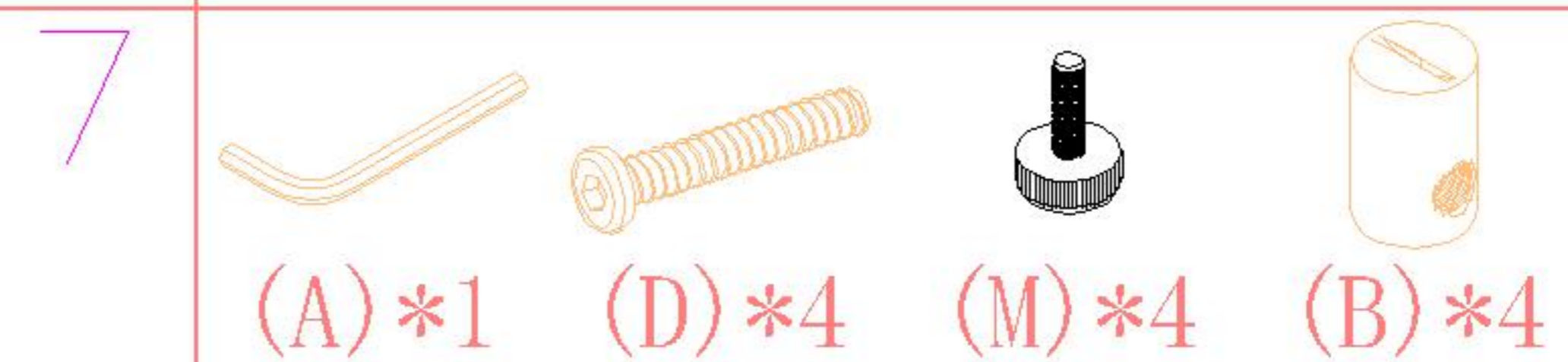
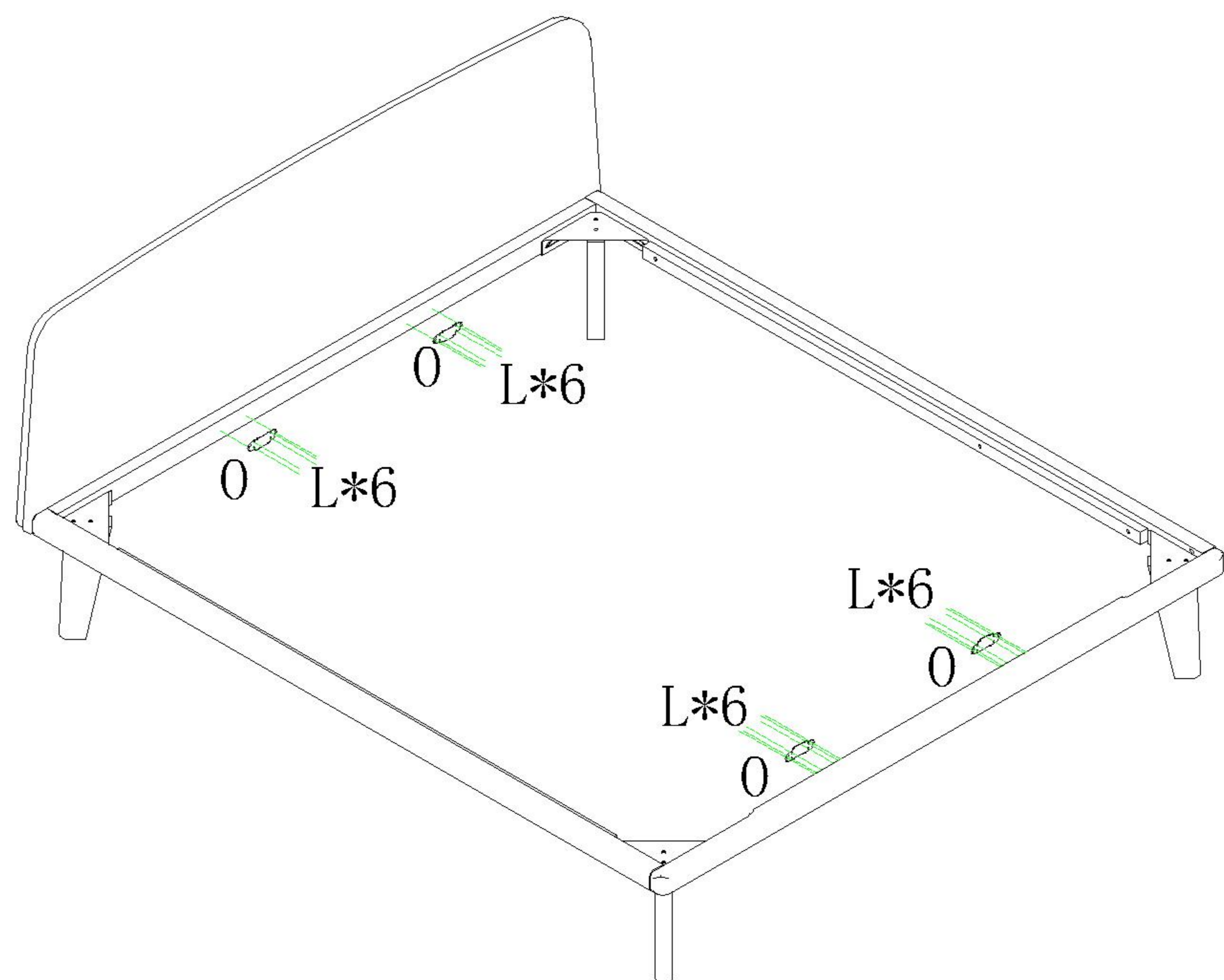
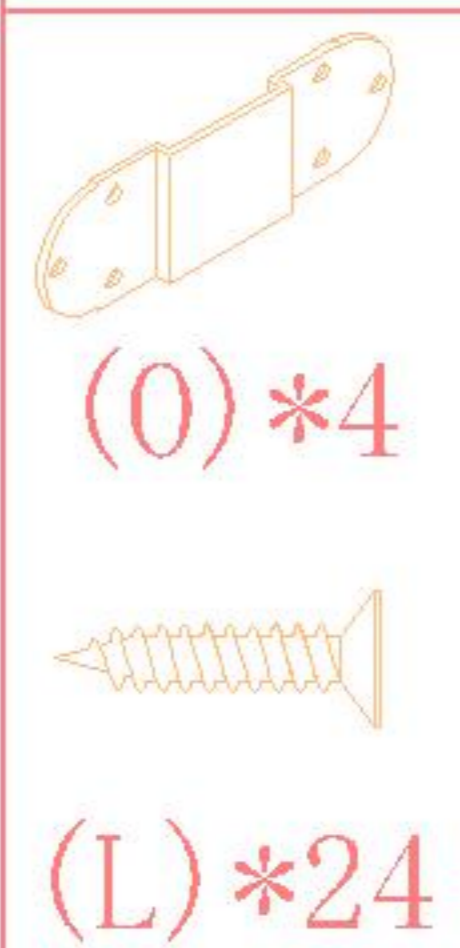
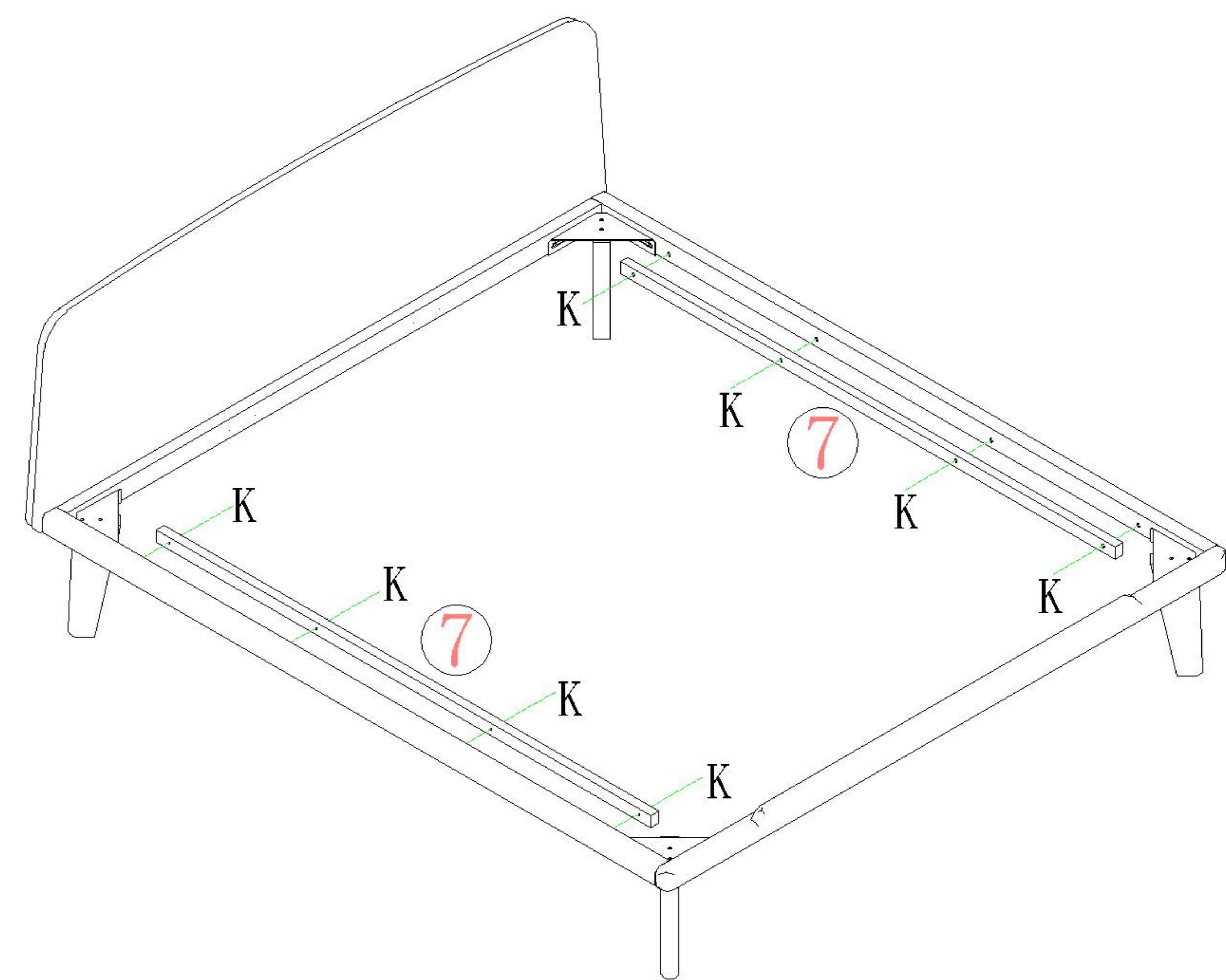
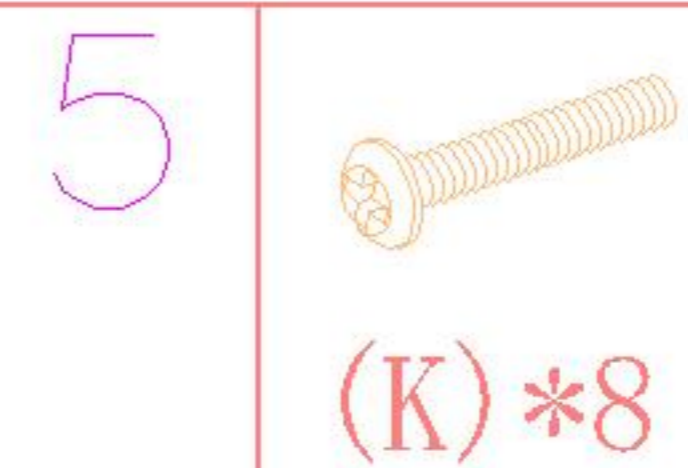
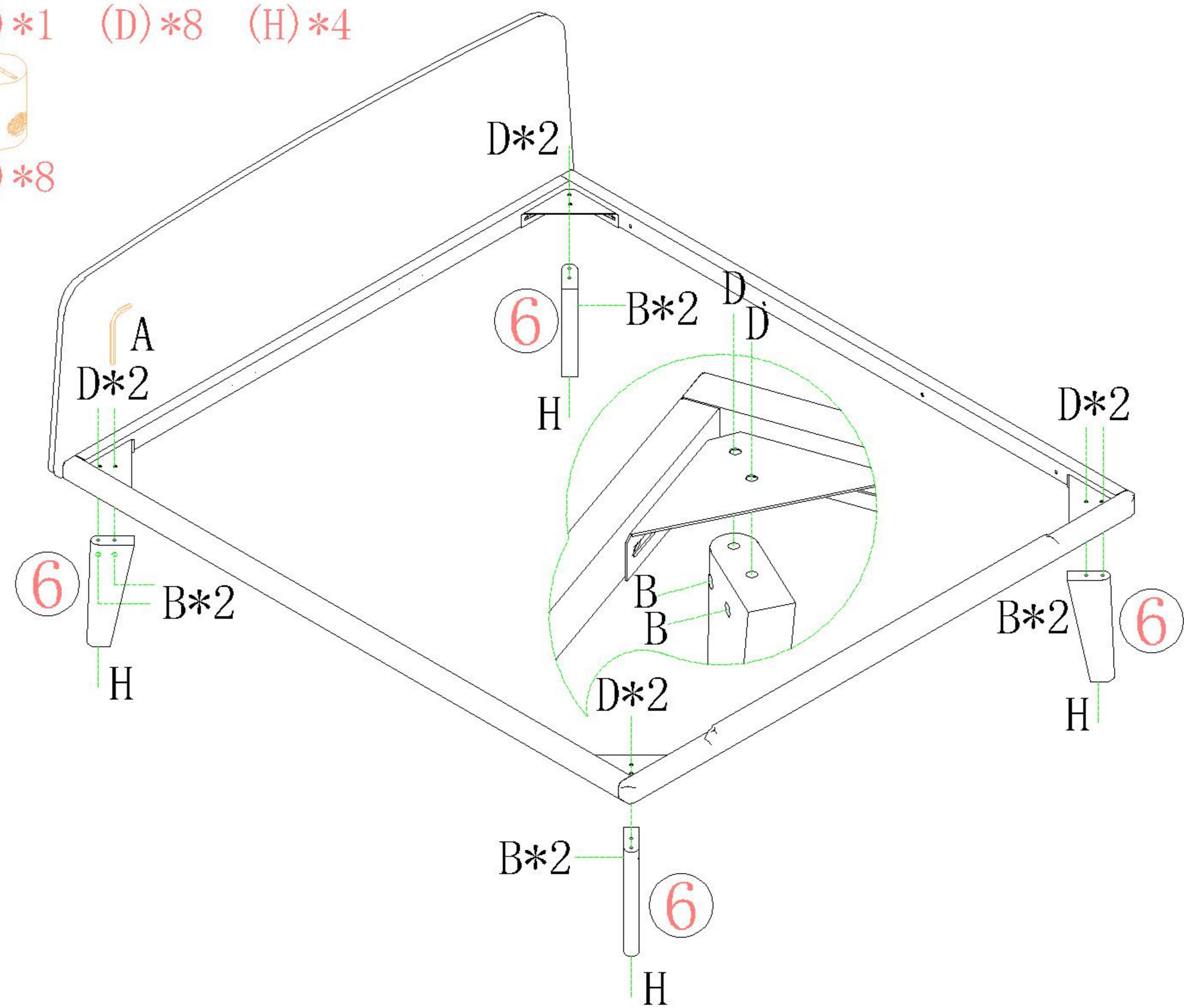
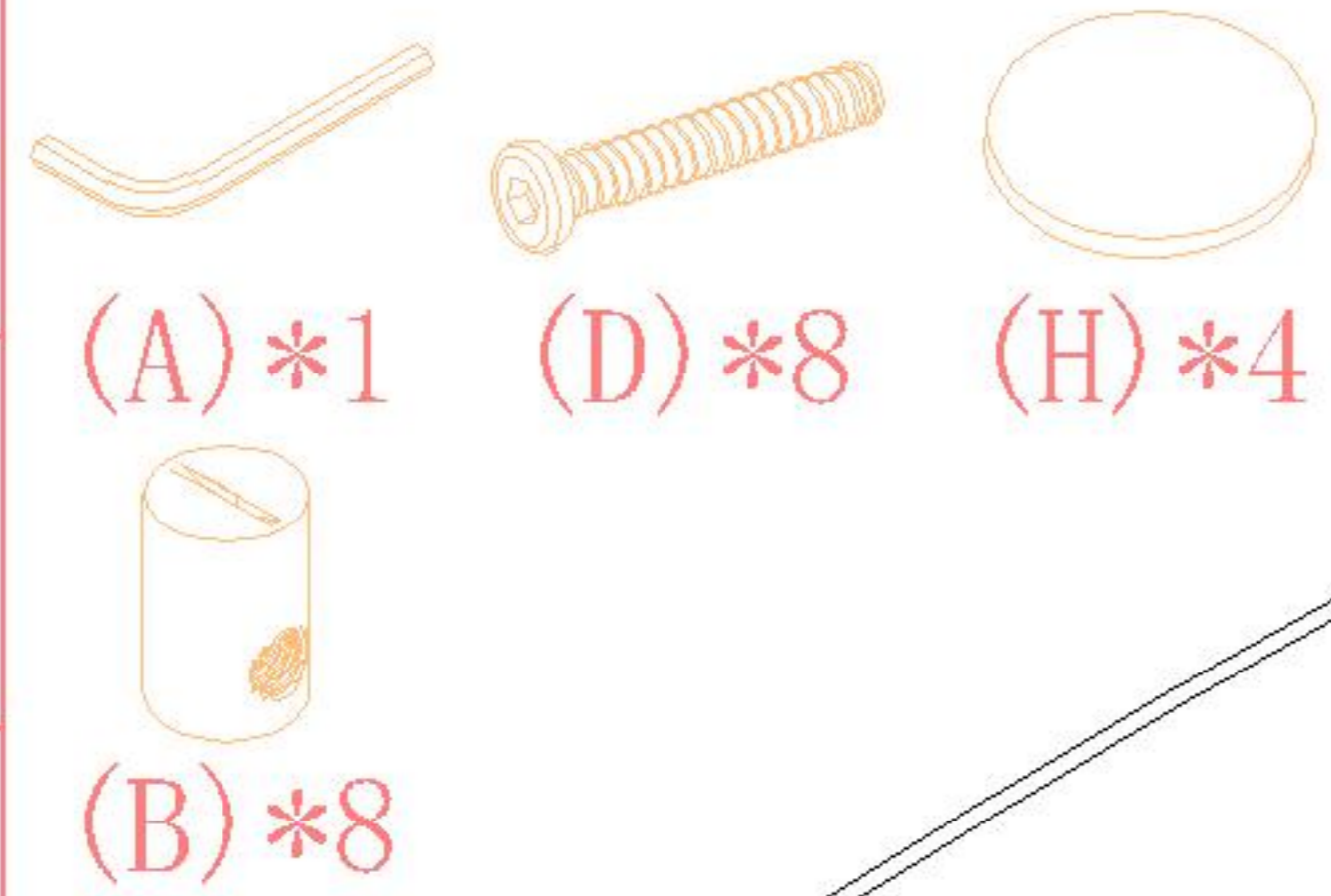


PK7A-A (1.8m)

安装方法/
Installation method



锤母
Hammer nut



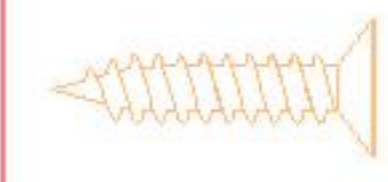
X2

PK7A-A (1.8m)

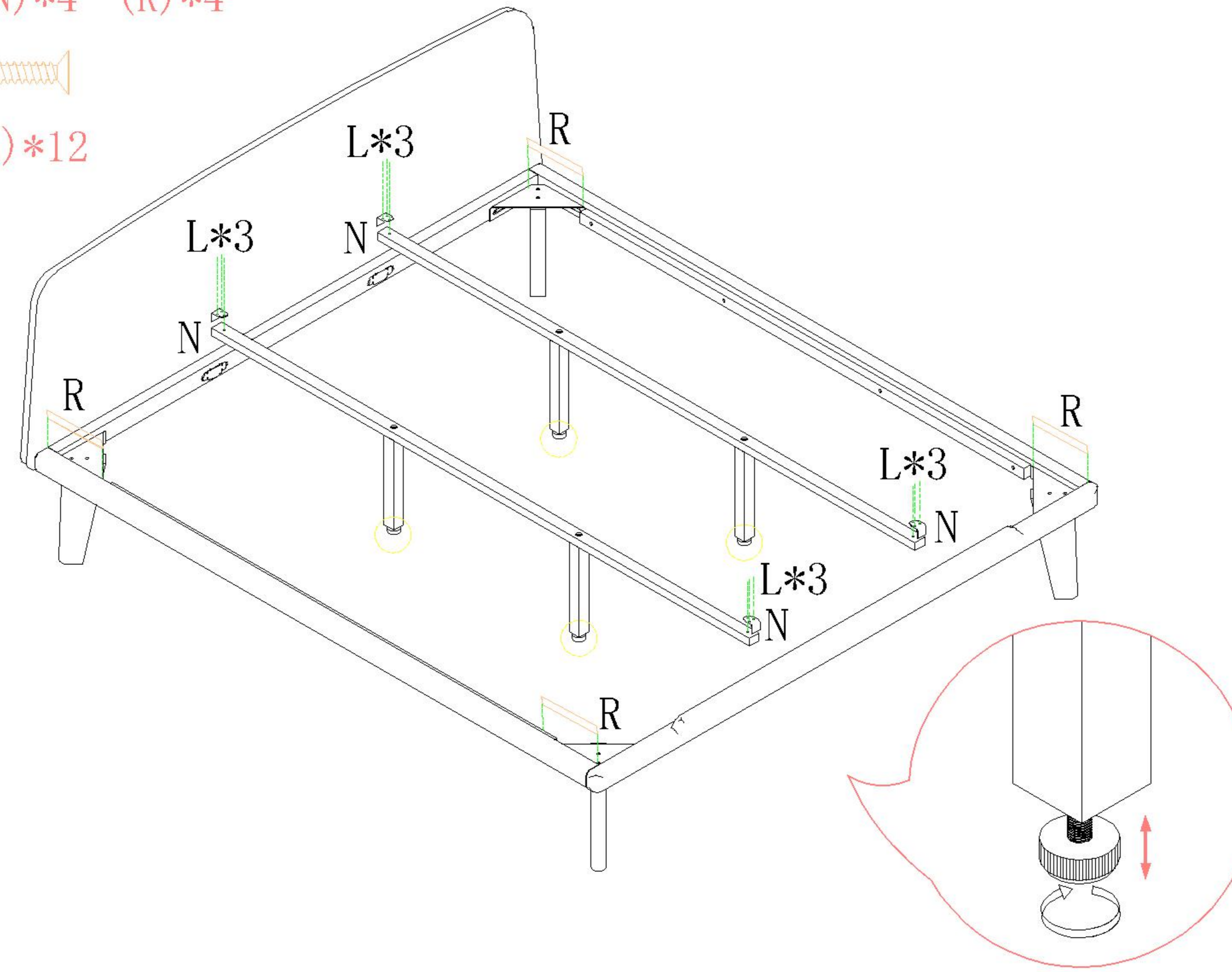
安装方法/
Installation method



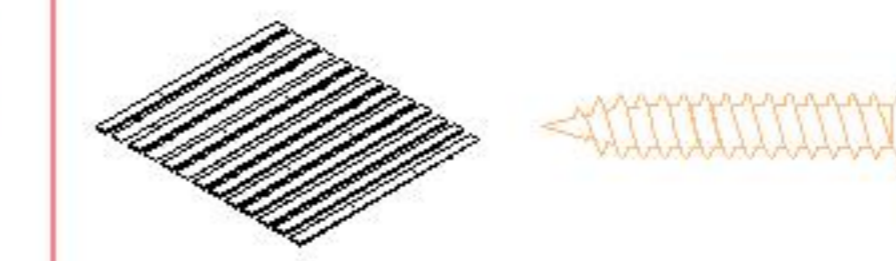
(N)*4 (R)*4



(L)*12

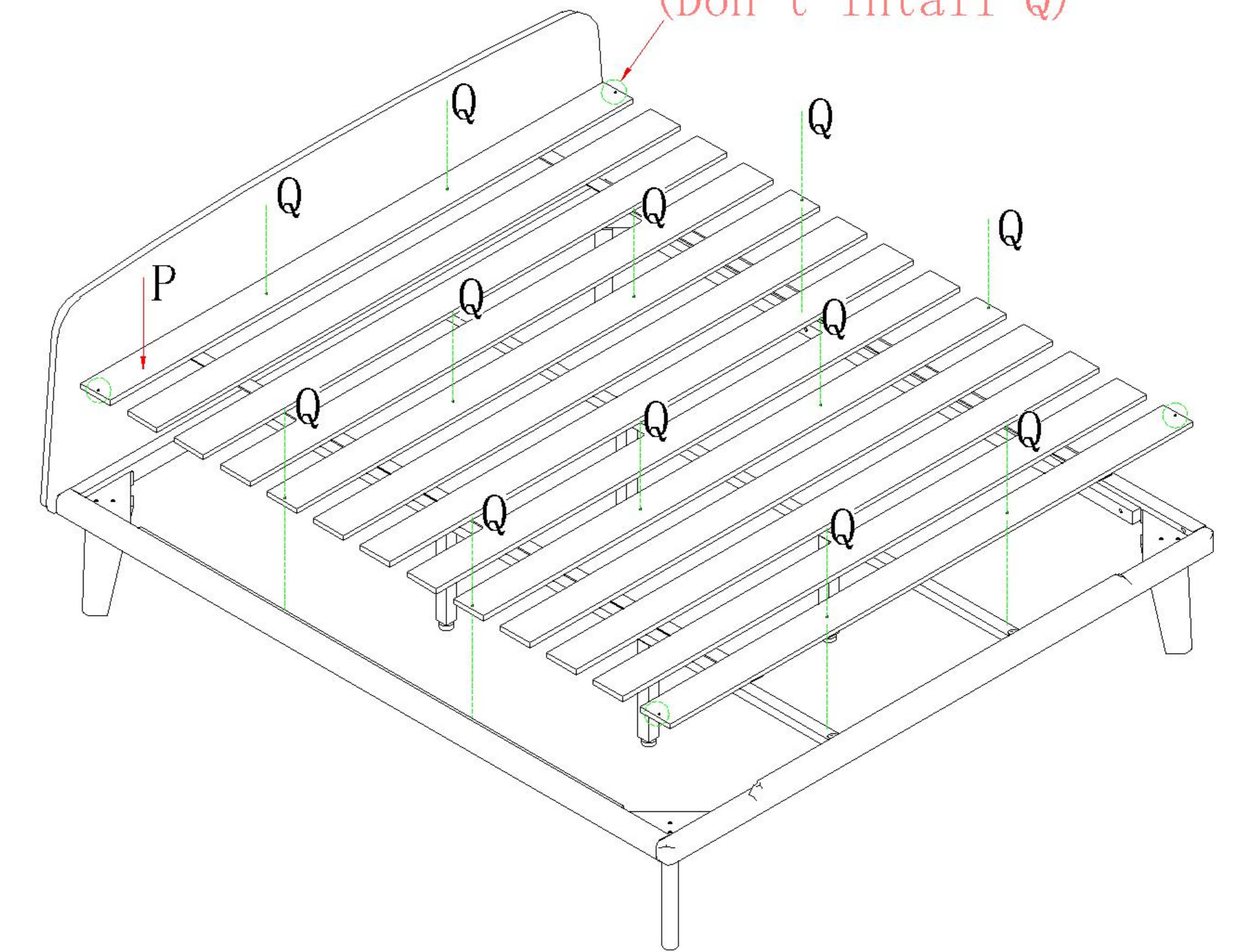


9



(P)*1 (Q)*12

不用装五金Q
(Don't install Q)



10