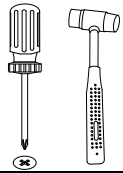


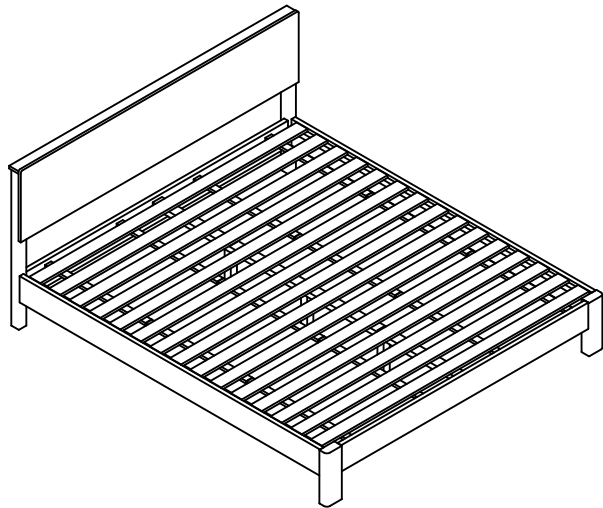
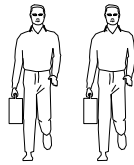
# ASSEMBLY INSTRUCTIONS

ITEM NO. : M-QYT-36      SIZE: 1834W\*2090D\*1003H

Installation  
tool



Two  
people



## HARDWARE LIST

(A)*5 M8x40mm	(B)*16	(C)*16 M8	(D)*16 M8x80mm
(E)*1 14mm	(F)*8 Ø10x40mm	(G)*19 M4x25mm	(H)*14 M6x40
(I)*1	(L)*4	(M)*3 M8x20	(N)*8 Ø8x40mm
(O)*8	(P)*8	(Q)*3	(R)*8
(S)*16			

## PARTS LIST

NO	Description	Quantity	
①	Post	2	
②	Post	2	
③	Head board	1	
④	Upper rail	1	
⑤	Lower rail	1	
⑥	Foot board	1	
⑦	Side rail	2	
⑧	Square bar	1	
⑨	Square bar	2	
⑩	Supporting leg	3	
⑪	Block	2	

