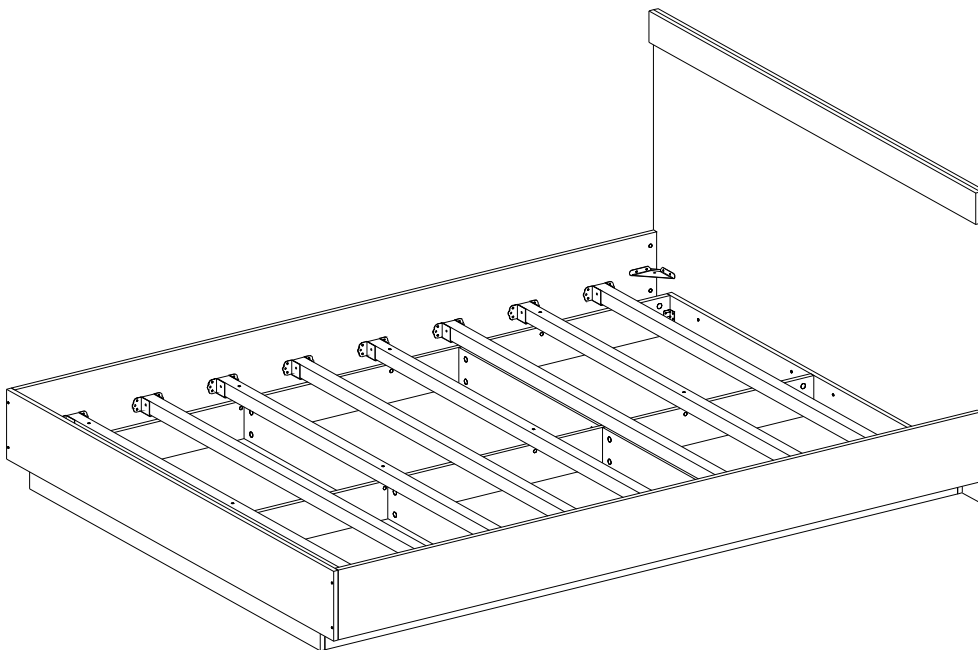


*Please Keep For Future Reference Only.

CUPPA SERIES ASSEMBLY INSTRUCTION



Dimensions

Width:1870mm

Depth:2080mm

Height:890/260mm

CUPPA KING SINGEL BED

IMPORTANT:-
PLEASE READ THESE INSTRUCTION CAREFULLY BEFORE STARTING ASSEMBLY.

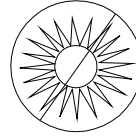
IMPORTANT TIPS AND MAINTENANCE



i) Keep children and animal away to avoid choking hazard.



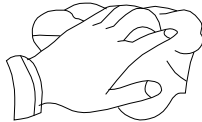
ii) Never put the liquid on the furniture.



iii) To avoid dulling, do not place directly to the sunlight.



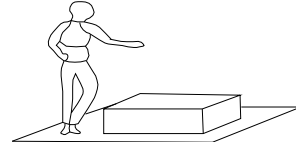
iv) Never use ammonia cleaning product, because it will damage the finish.



v) Use a dry cloth to wipe clean the surface.










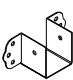

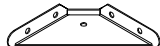

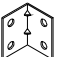
vi) Two person required.



vii) Put a soft mat on the floor to protect the furniture before assembly.

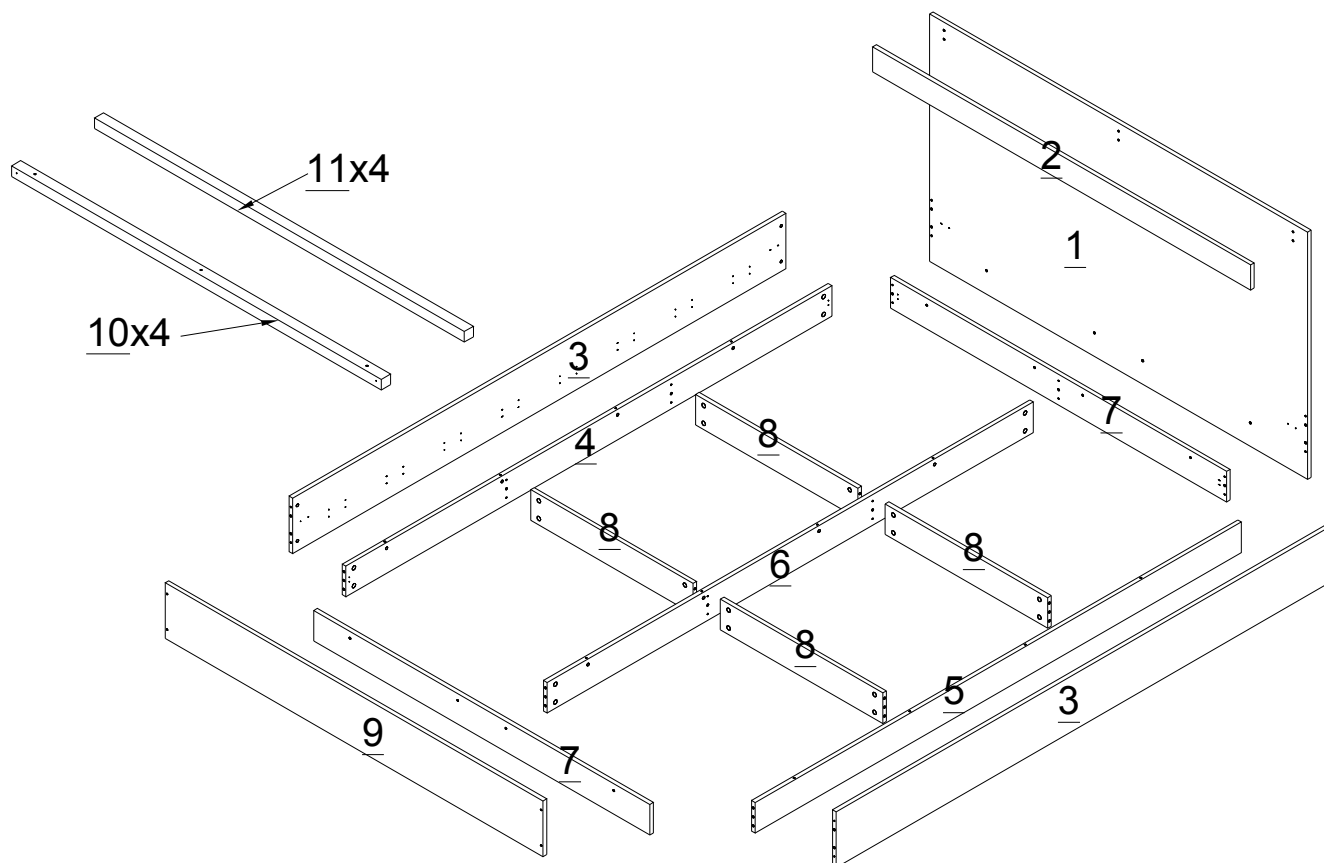
COMPONENTS:- HARDWARE

Please check you have all the fittings part or tools are listed in below.

NO.	FITTINGS/TOOLS	QTY	NO.	FITTINGS/TOOLS	QTY
A.	 DOWEL 8x40MM	18 Pcs	G.	 DOWEL 8x60MM	2 Pcs
B.	 CAMBOLT	20 Pcs	H.	 CAMBOLT	8 Pcs
C.	 SCREW M3.5x14MM	112 Pcs	I.	 CAMNUT	28 Pcs
D.	 SCREW M5x50MM	20 Pcs	J.	 Bracket	16 Pcs
E.	 Bracket	20 Pcs	K.	 Bracket	4 Pcs
F.	 SCREW M6x25MM	14 Pcs	L.	 Bracket	4 Pcs

COMPONENTS:-
PANELS

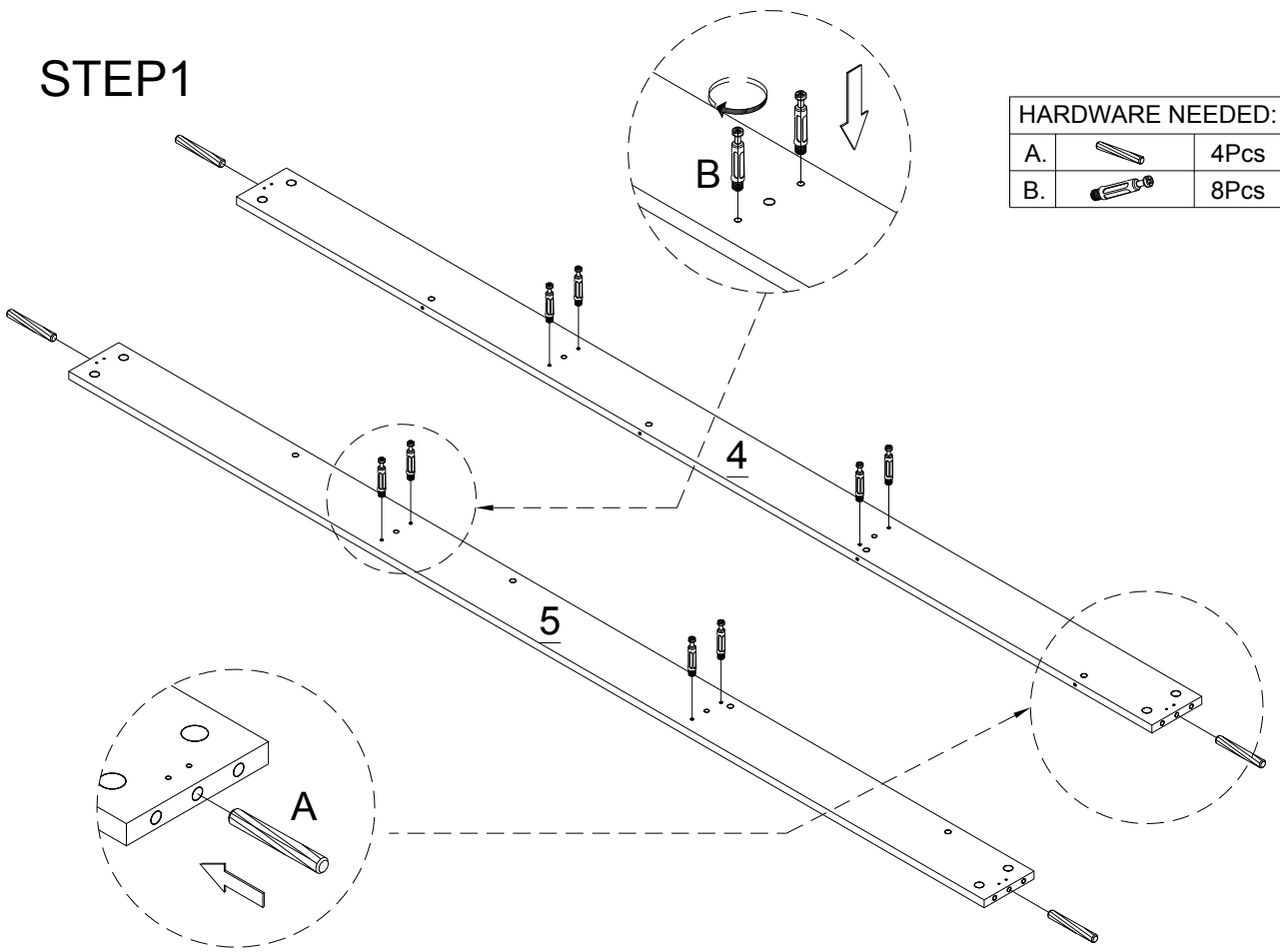
Please check you have all the panels are listed below.





PARTLIST

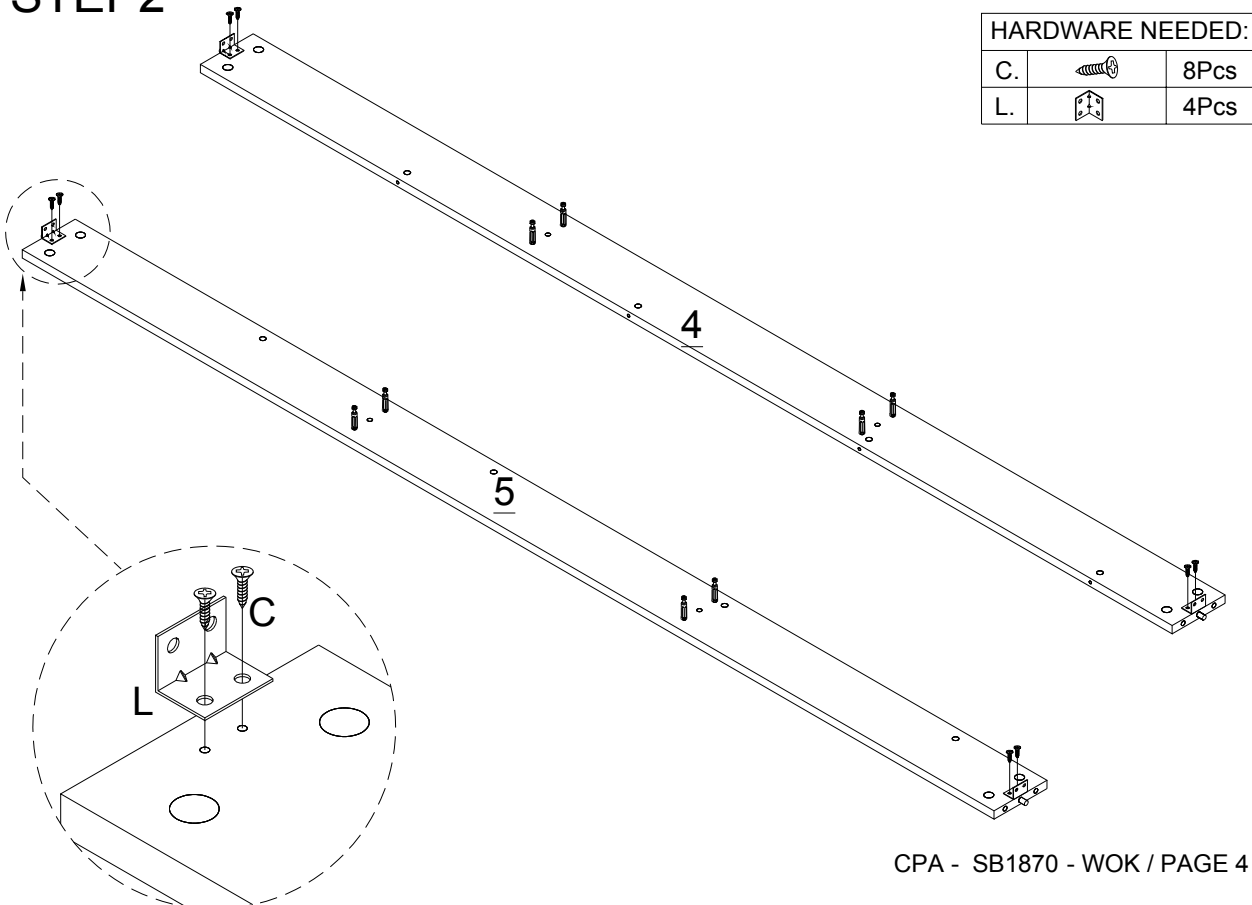
1	HEAD BOARD	1pc	9	BOTTOM PANEL	1pc
2	HEAD BOARD PANEL	1pc	10	BED SLATS-1	4pcs
3	BED SIDE PANEL	2pcs	11	BED SLATS-2	4pcs
4	BASE	1pc			
5	BASE-1	1pc			
6	BASE SUPPORT-1	1pc			
7	BASE SUPPORT-2	2pcs			
8	BASE SUPPORT-3	4pcs			



STEP1





HARDWARE NEEDED:		
A.		4Pcs
B.		8Pcs

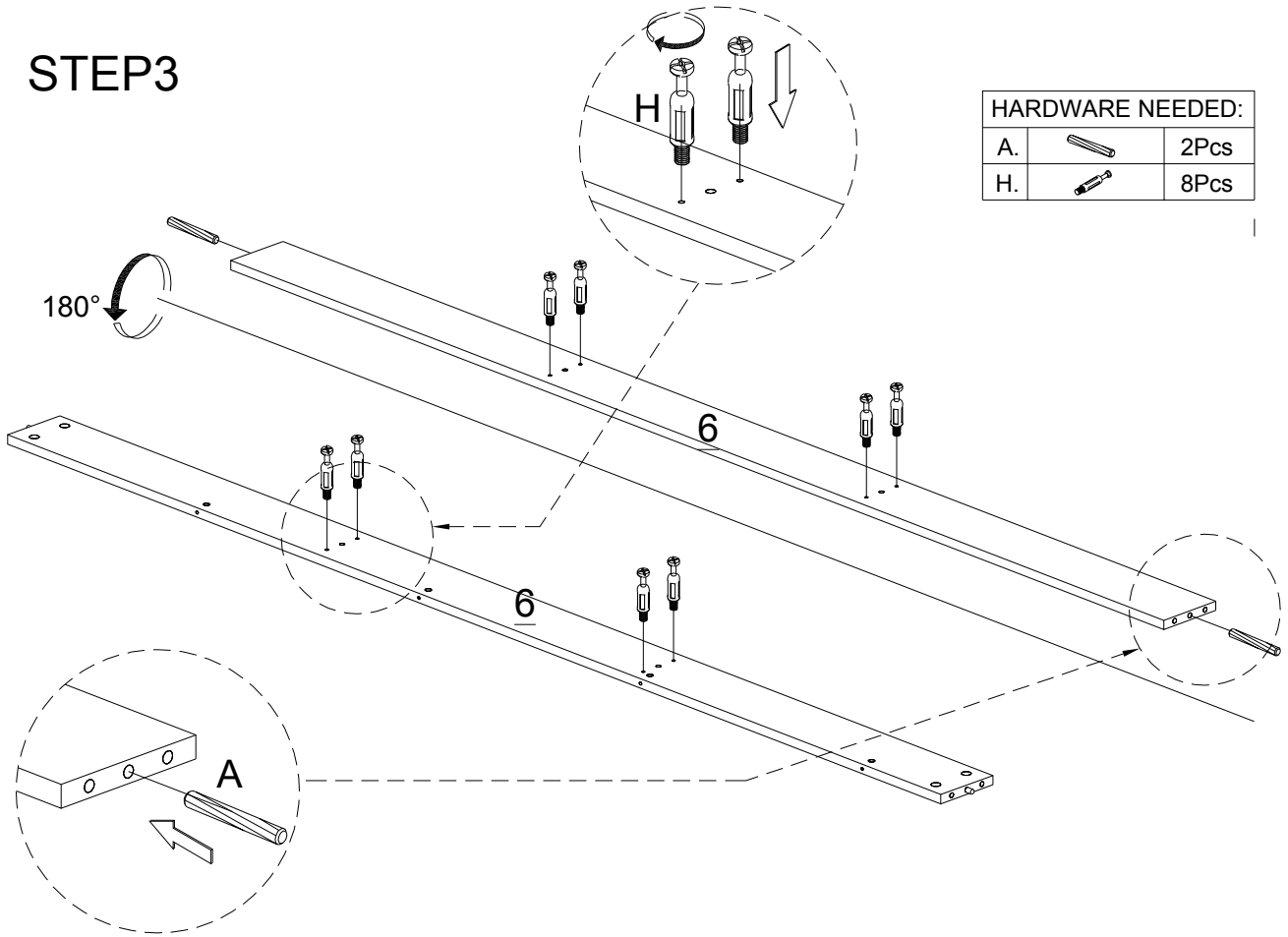
STEP2



HARDWARE NEEDED:		
C.		8Pcs
L.		4Pcs

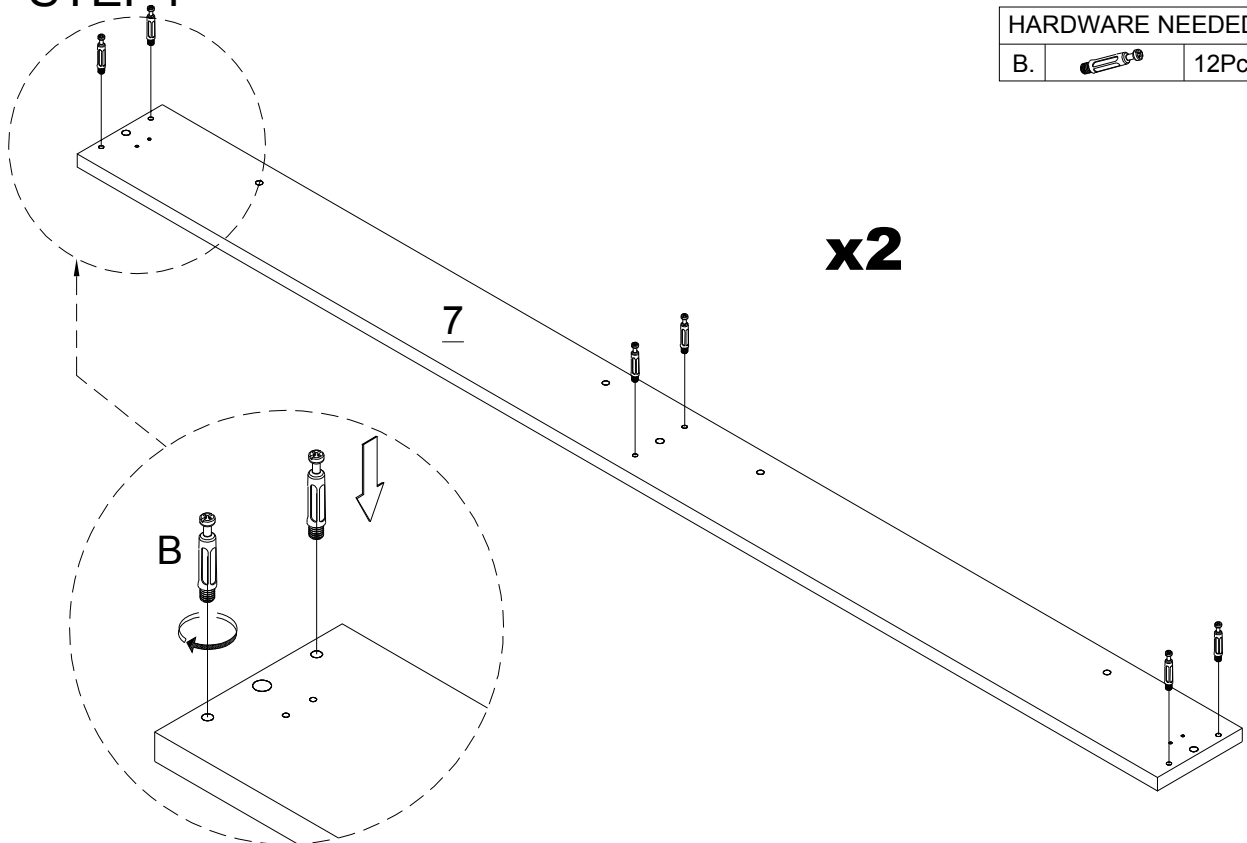
STEP3

HARDWARE NEEDED:		
A.		2Pcs
H.		8Pcs






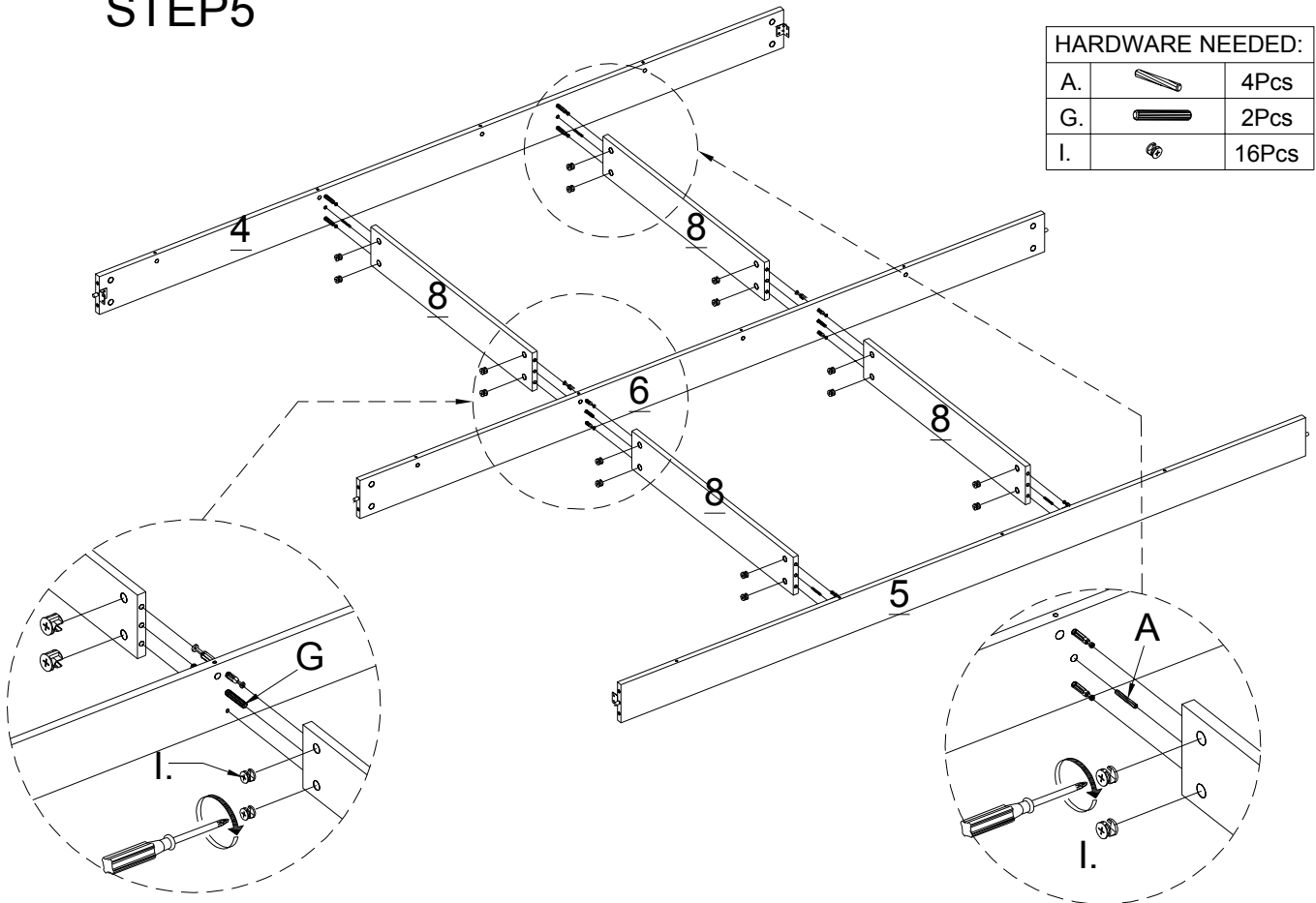
STEP4

HARDWARE NEEDED:		
B.		12Pcs





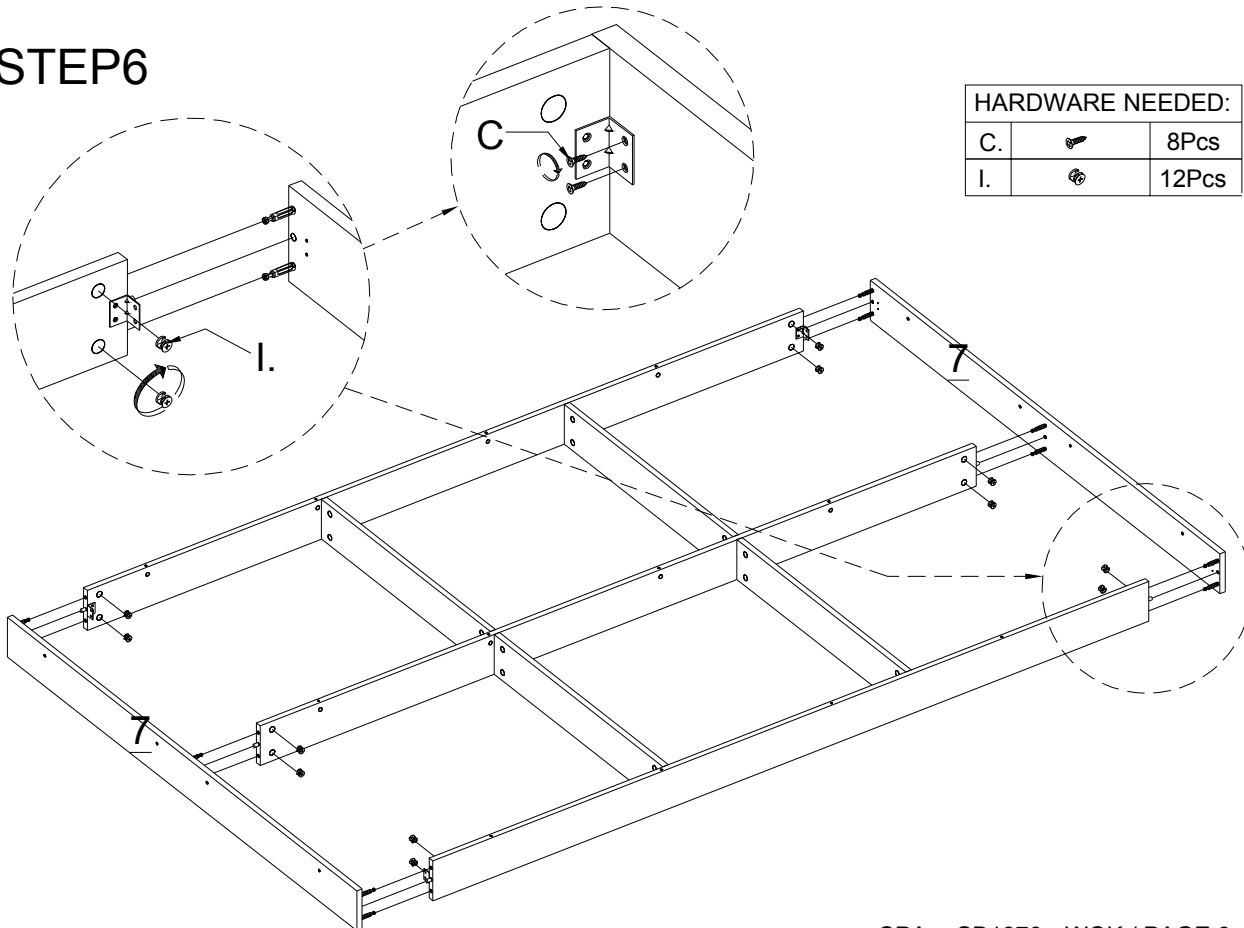
STEP5

HARDWARE NEEDED:		
A.		4Pcs
G.		2Pcs
I.		16Pcs

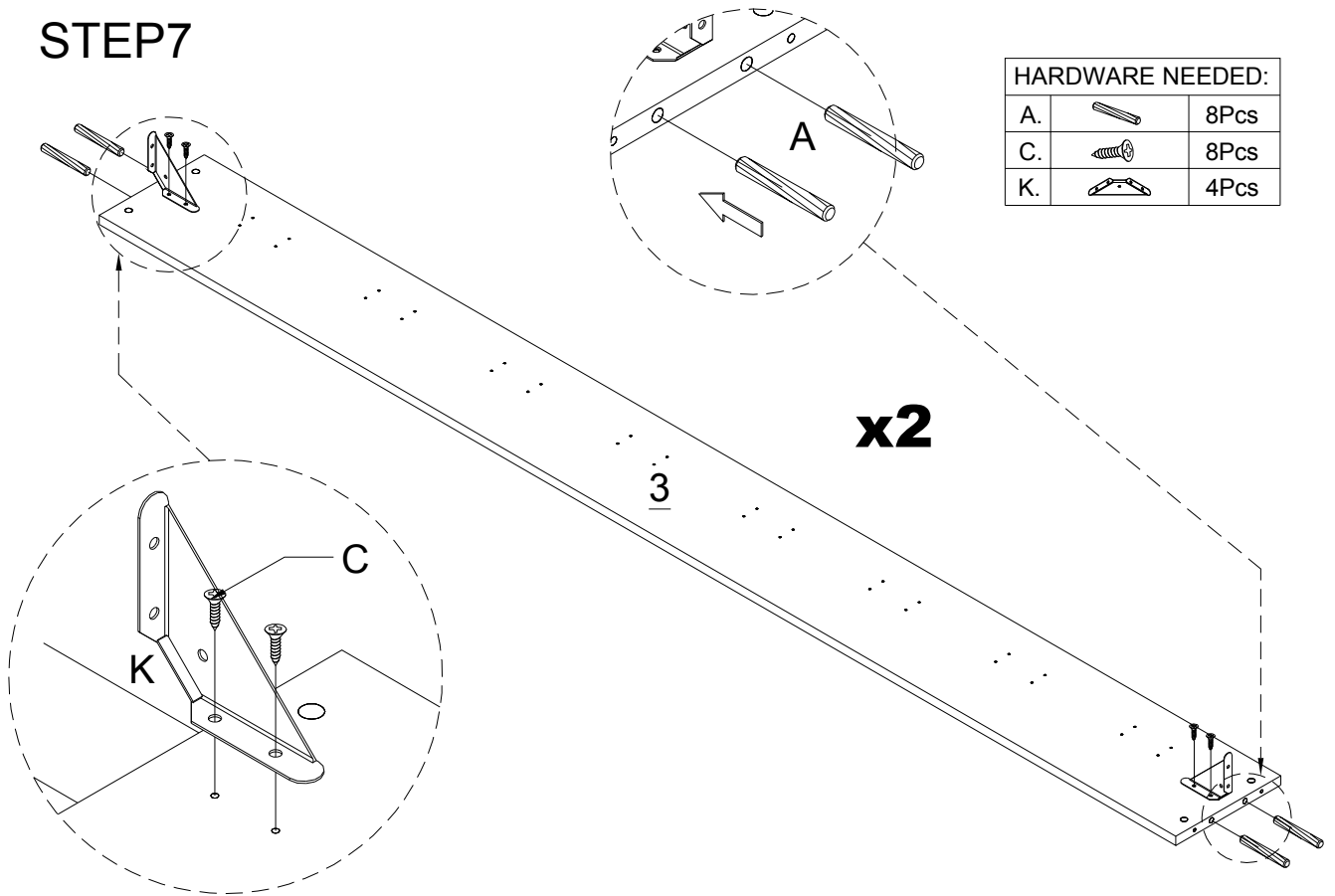





STEP6

HARDWARE NEEDED:		
C.		8Pcs
I.		12Pcs

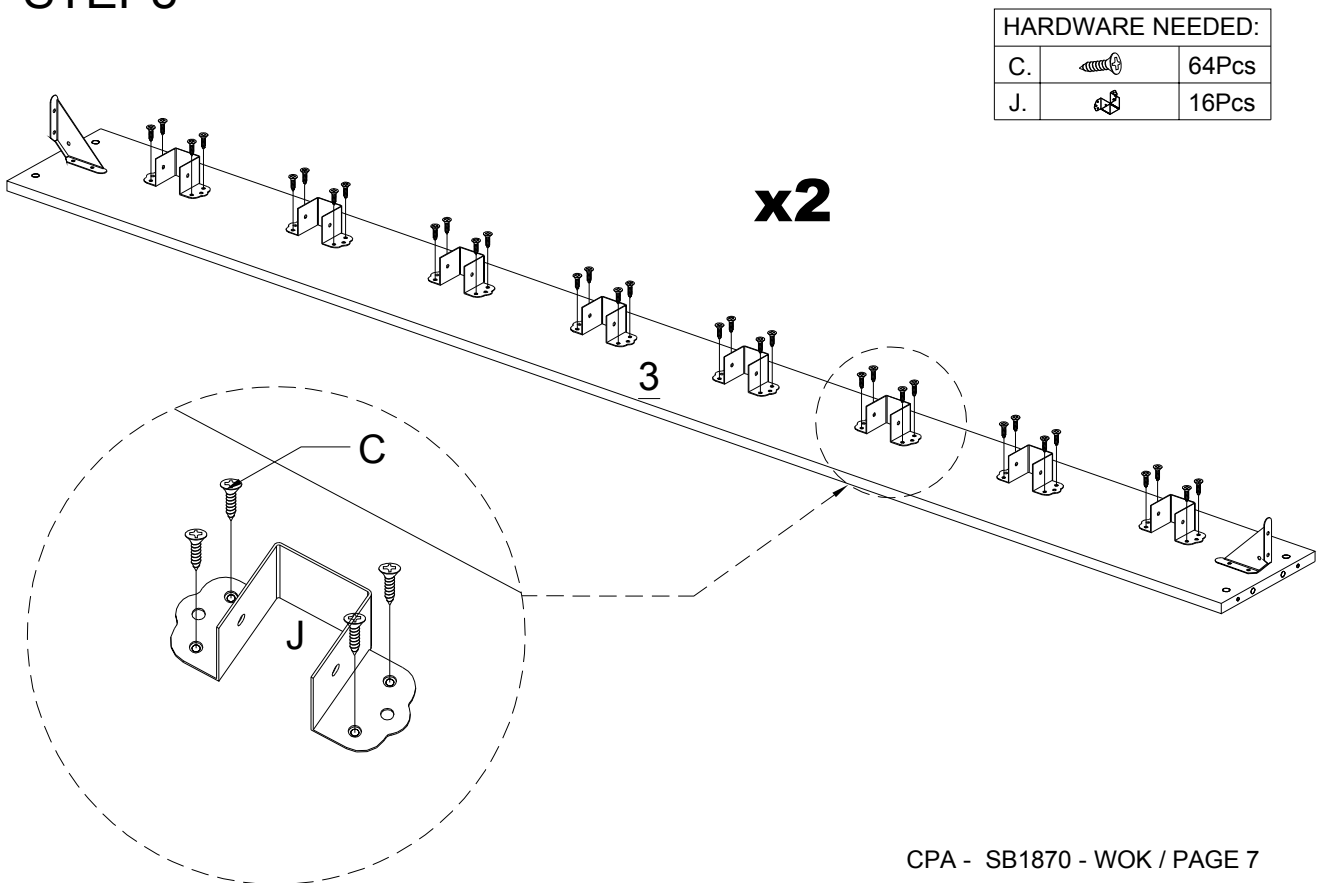




STEP7



HARDWARE NEEDED:		
A.		8Pcs
C.		8Pcs
K.		4Pcs

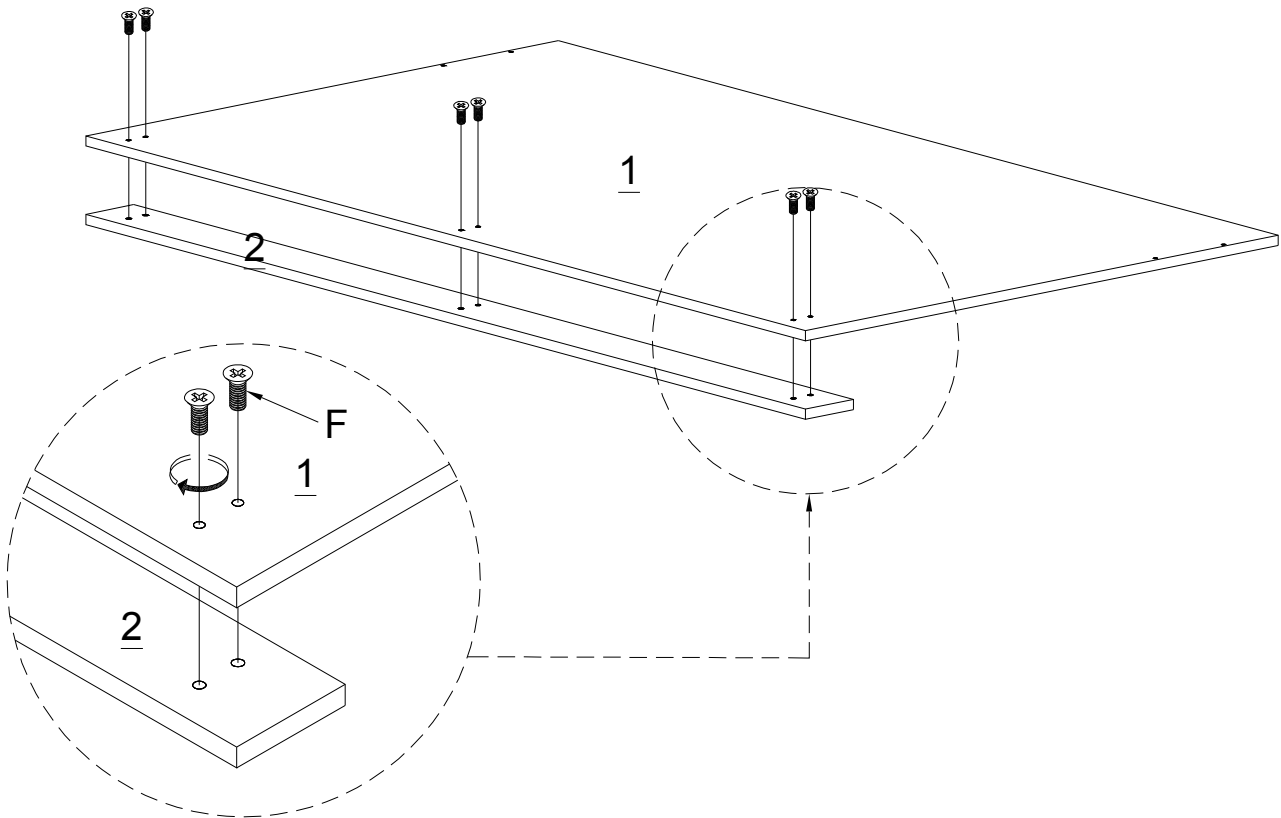
STEP8






HARDWARE NEEDED:		
C.		64Pcs
J.		16Pcs

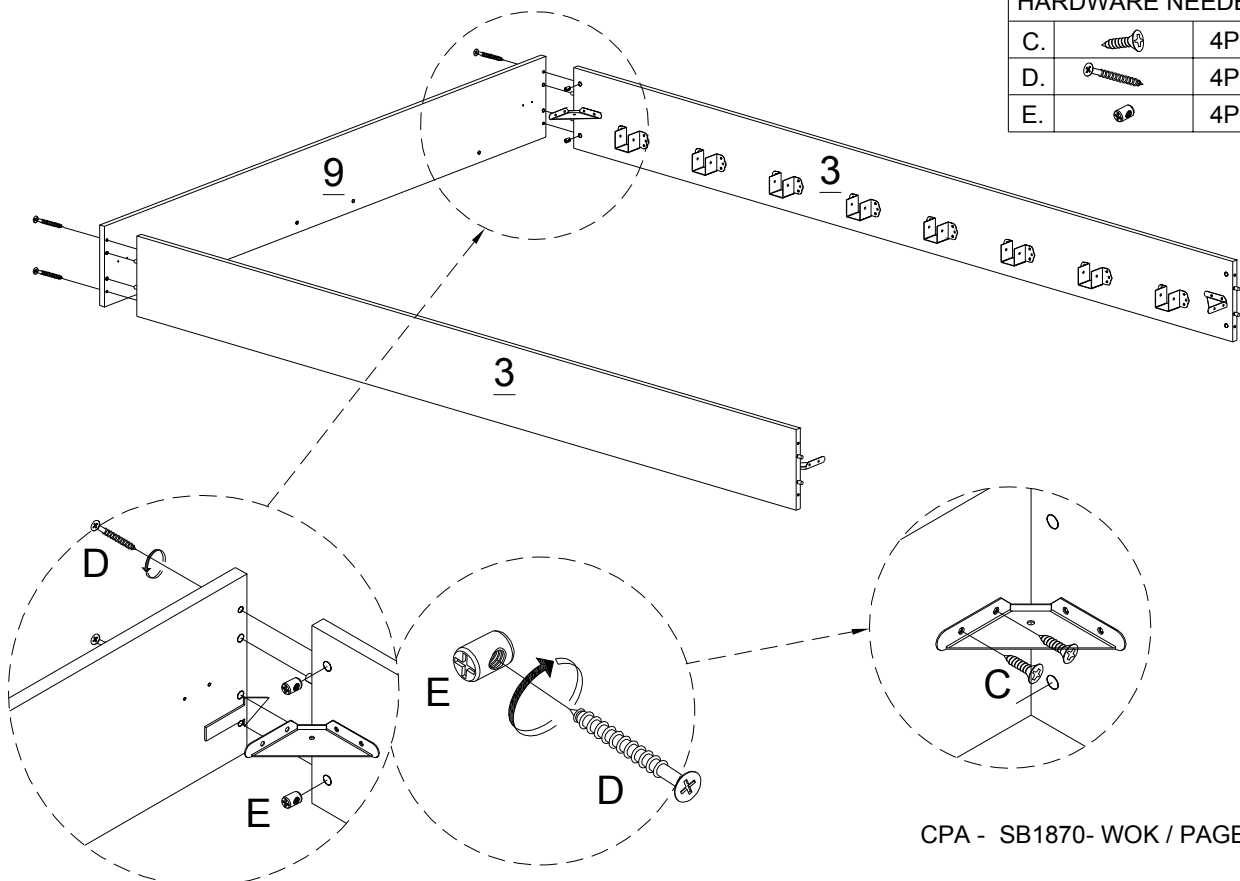
STEP9

HARDWARE NEEDED:		
F.		6Pcs



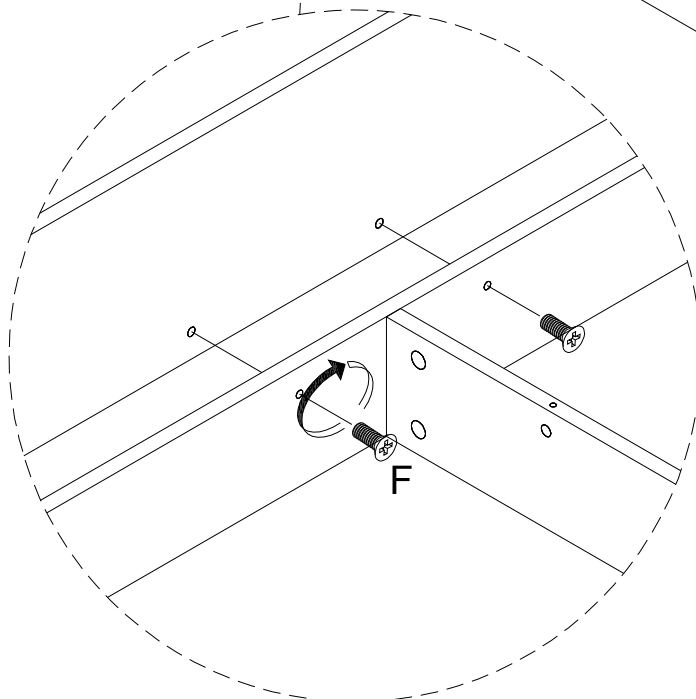
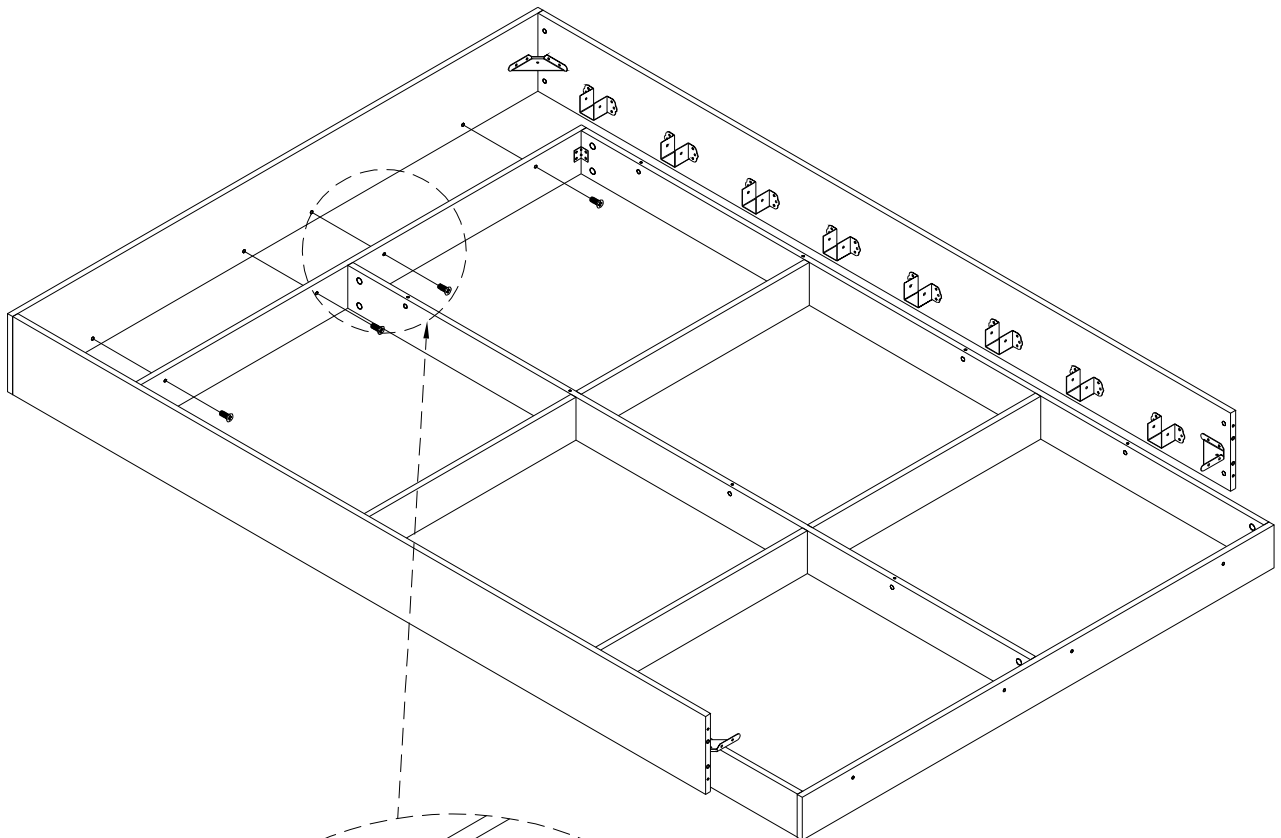
STEP10

HARDWARE NEEDED:		
C.		4Pcs
D.		4Pcs
E.		4Pcs







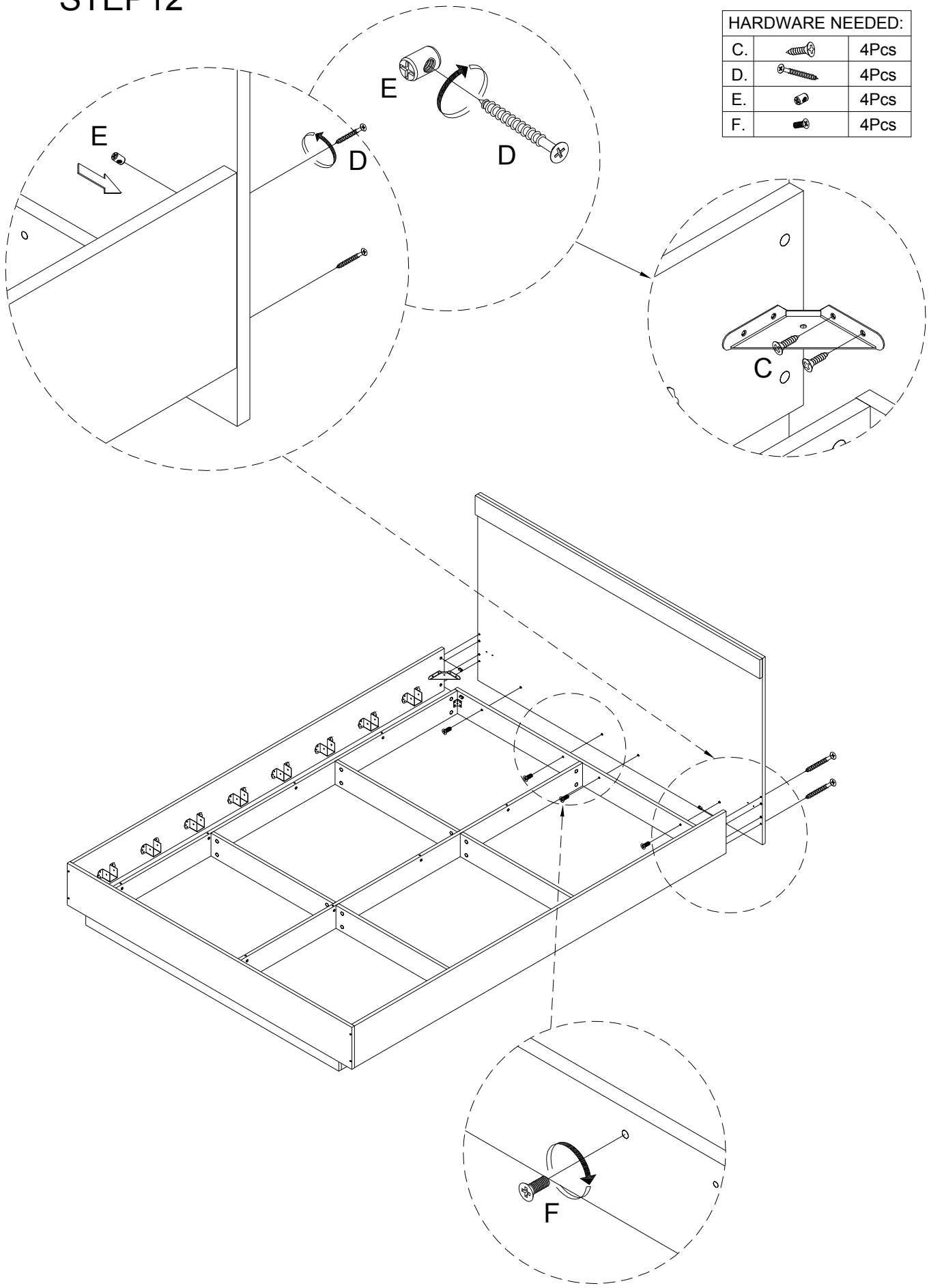
STEP11

HARDWARE NEEDED:		
F.		4Pcs






STEP12

HARDWARE NEEDED:		
C.		4Pcs
D.		4Pcs
E.		4Pcs
F.		4Pcs



STEP13

HARDWARE NEEDED:		
C.		16Pcs
D.		12Pcs
E.		12Pcs

