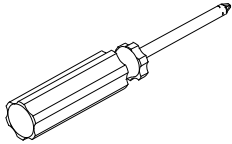
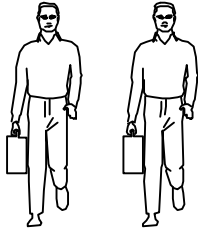


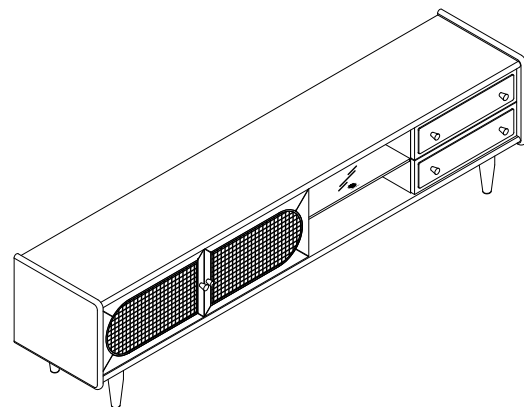
LINSY 林氏家居

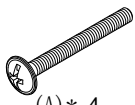
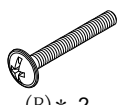
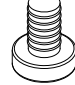

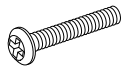
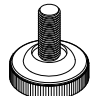
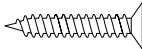
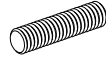
五金表/Hardware list

部件表/Parts List

安装示意图/Assembly Instruction

产品名称 Model NO.	LT1M-A
产品规格 Specification	1800*360*460 mm
安装工具 Tool	安装人数 Installer
	



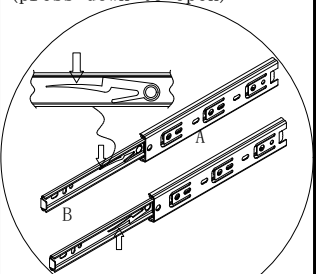
 (A)* 4 拉手螺丝-M4x35mm pulling screw	 (B)* 2 拉手螺丝-M4x25mm pulling screw	 (C)* 4 透明防滑PVC胶塞 Rubber stopper	 (D)* 6 铜本色圆拉手 Round handle
 (E)* 4 斜边十字螺杆-M6x35 bevel cross screw	 (F)* 1 调节脚 Adjusting foot	 (G)* 4 自攻螺丝M4x35mm Self-tapping screw	 (H)* 1 全牙螺杆-M8x45mm screw- color zinc

编号NO.	名称Name	规格 (mm) Specification	数量QTY	材质Material
①	整装柜子 Packaged cabinet	1800*360*322	1	实木Wood
1-1-1	面板组立 Panel assembly	1760*348*40	1	实木Wood
1-1-2	底板组立 Bottom board assembly	1760*338*38	1	实木Wood
1-1-3	左侧板 Side board(L)	322*360*20	1	实木Wood
1-1-4	右侧板 Side board(R)	322*360*20	1	实木Wood
1-1-5	左中侧板 Middle side board(L)	253*308*18	1	实木Wood
1-1-6	右中侧板 Middle side board(R)	253*308*18	1	实木Wood
1-2	门板 Door board	438*247*20	2	实木+藤网 Wood+Rattan net
1-3	抽屉面板 Drawer's top panel	429*122*20	2	实木Wood
1-4	抽屉内盒 Drawer inner box	388*295*78	2	实木Wood
1-5	背板 Back board	1782*280*8	1	实木Wood
1-6	层板玻璃 Laminated glass	444*305*8	1	玻璃 Glass
②	前立水 Front apron	1514*35*18	1	实木Wood
③	脚框 Foot frame	302*149*46	2	实木Wood
④	中脚 Middle foot	133*30*30	1	实木Wood

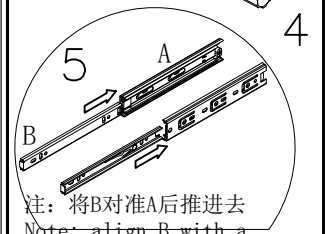
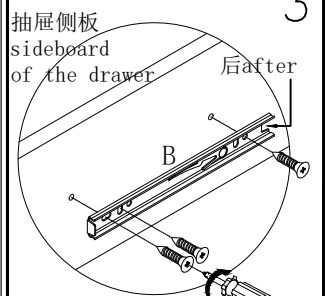
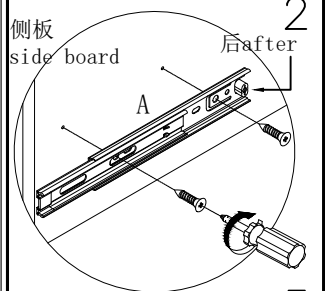
LT1M-A

安装方法/
Installation method

阀门开关(下压为开)
Valve switch
(press down to open)

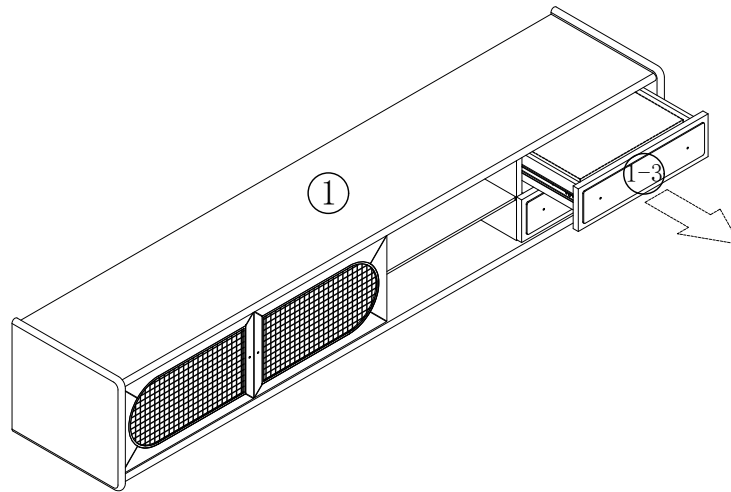


注: 先将A与B拆下来
Note: remove a and B first



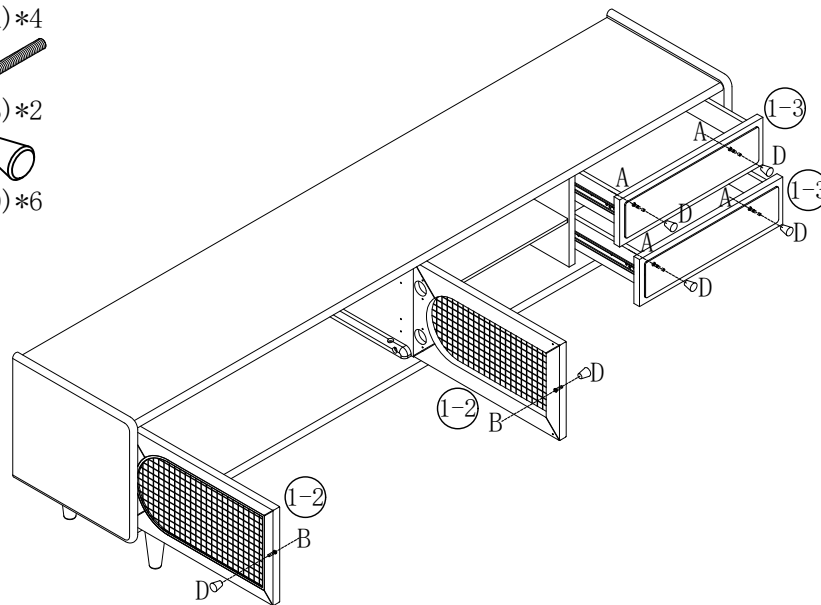
注: 将B对准A后推进去
Note: align B with a and push it in

三节滚珠导轨
three-section ball rail

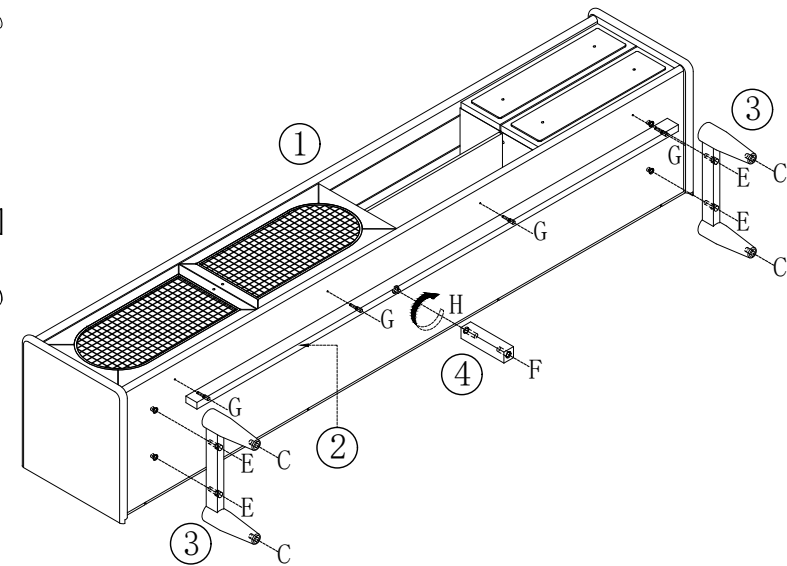


拉出抽屉拿出内盒
Pull out the drawer and take out the inner box

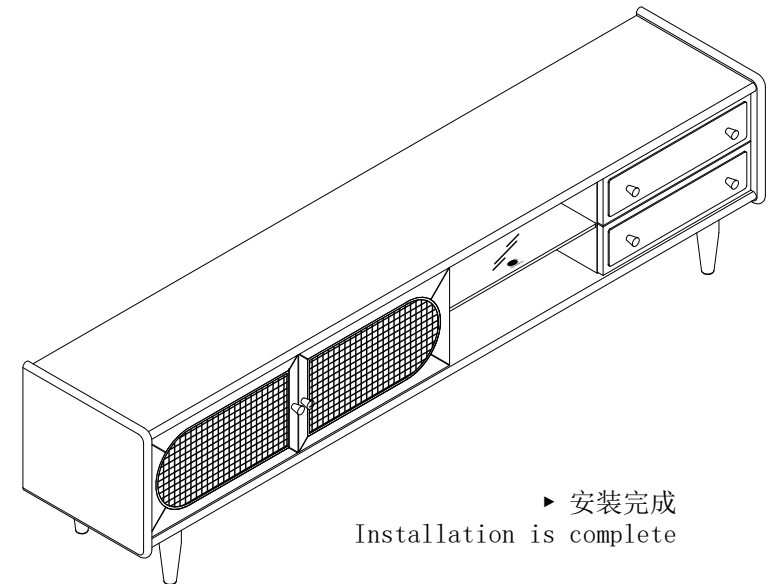
- (A)*4
- (B)*2
- (D)*6



- (C)*4
- (E)*4
- (F)*1
- (G)*4
- (H)*1



3



► 安装完成
Installation is complete

LT1M-A

安装方法/
Installation method

分解图 Split diagram

