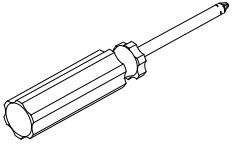
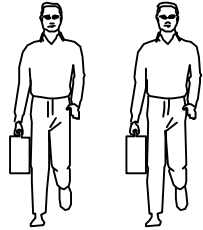
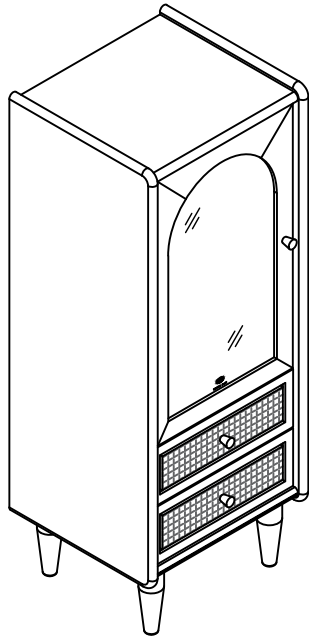




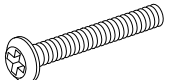
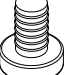
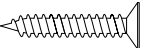

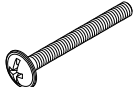
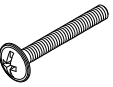
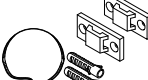
LINSY 林氏家居

安装示意图/Assembly Instruction

产品名称 Model NO.	LT10-A
产品规格 Specification	400*360*1050 mm
安装工具 Tool	安装人数 Installer
	



五金表/Hardware list

 (A)* 1 感应灯 Induction lamp	 (B)* 3 铜本色圆拉手 Round handle	 (C)* 4 斜边十字螺杆-M8x55 bevel cross screw	 (D)* 4 透明防滑PVC胶塞 Rubber stopper
 (E)* 2 自攻螺丝M4x35mm Self-tapping screw	 (F)* 4 锤母-M8x15mm Hammer nut	 (G)* 2 拉手螺丝-M4x35mm pulling screw	 (H)* 1 拉手螺丝-M4x25mm pulling screw
 (I)* 1 家具防倒器-白色 Anti-fall device white			

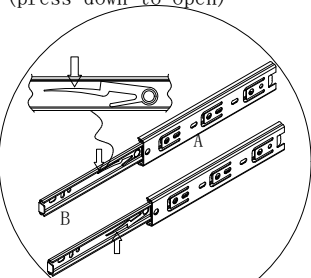
部件表/Parts List

编号NO.	名称Name	规格 (mm) Specification	数量QTY	材质Material
①	整装柜子 Packaged cabinet	400*360*912	1	
1-1	上柜 Upper cabinet	400*360*912	1	实木Wood
1-1-1	面板组立 Panel assembly	360*348*40	1	实木Wood
1-1-1-1	面板 Top panel	360*348*20	1	实木Wood
1-1-1-2	连接木 Linked wood	300*20*20	2	实木Wood
1-1-2	底板组立 Bottom board assembly	360*338*38	1	实木Wood
1-1-2-1	底板 Bottom board	360*338*18	1	实木Wood
1-1-2-2	连接木 Linked wood	300*20*20	2	实木Wood
1-1-3	右侧板 Side board(R)	912*360*20	1	实木Wood
1-1-4	左侧板 Side board(L)	912*360*20	1	实木Wood
1-1-5	层板 Shelf	360*308*18	1	实木Wood
1-2	背板 Back board	874*382*8	1	实木Wood
1-3	门板组立 Door plank assembly	579*354*20	1	实木+玻璃 Wood+Glass
1-4	抽屉面板 Drawer's top panel	356*126*20	2	实木+藤网 Wood+Rattan net
1-5	抽屉内盒 Drawer inner box	334*295*78	2	实木Wood
②	脚 Foot	149*46*46	4	实木Wood
③	前立水 Front apron	252*35*18	1	实木Wood

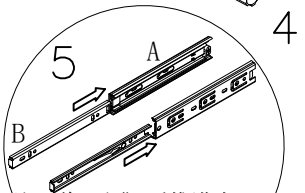
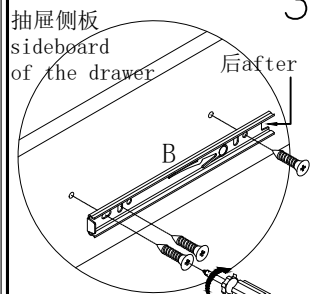
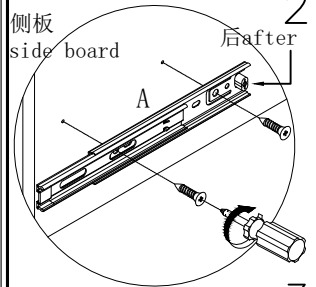
LT10-A

安装方法/
Installation method

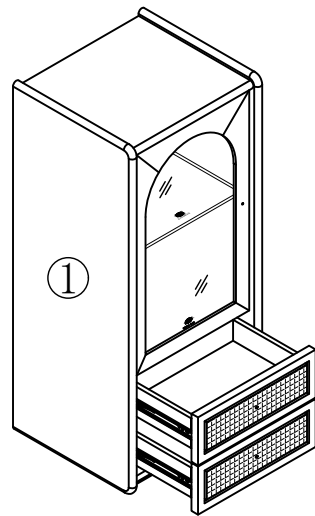
阀门开关(下压为开)
Valve switch
(press down to open)



注: 先将A与B拆下来
Note: remove a and B first

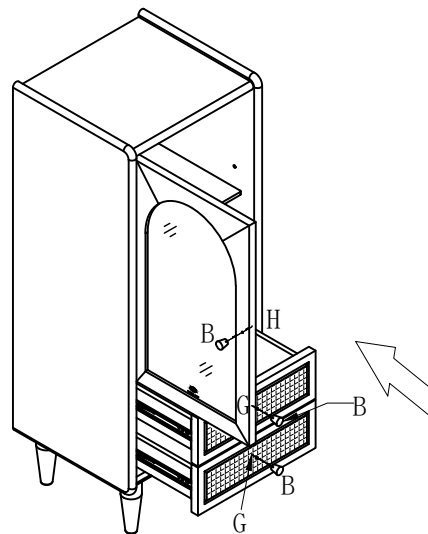


注: 将B对准A后推进去
Note: align B with a and push it in
三节滚珠导轨
three-section ball rail

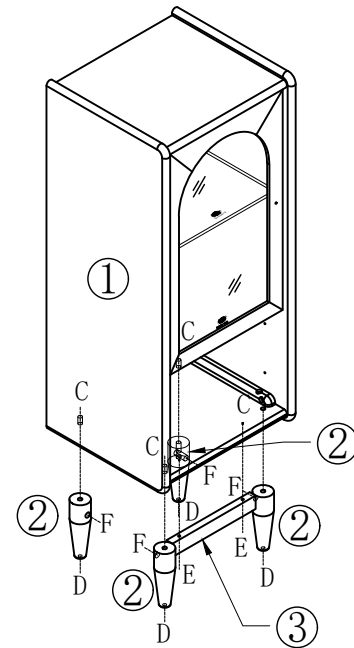


拉出抽屉拿出五金和部件
Pull out the drawer and take out the inner box

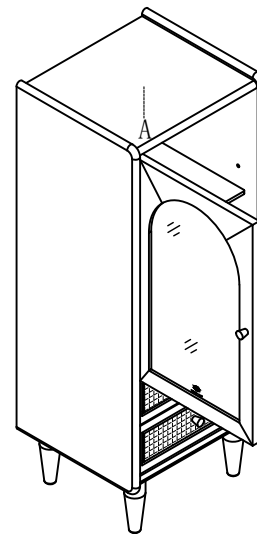
- (B)*3
- (G)*2
- (H)*1



- 1 (C)*4
- (D)*4
- (E)*2
- (F)*4



- 3 (A)*1



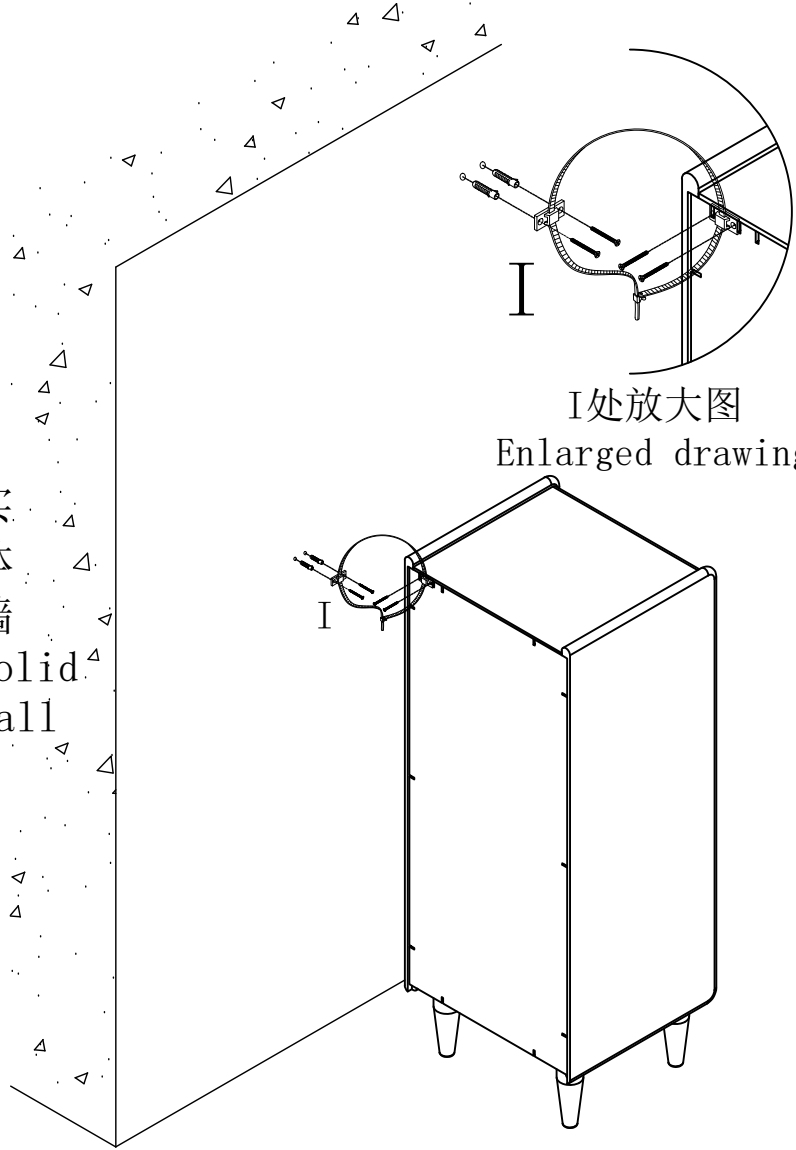
感应灯贴在柜体面板中间
The induction lamp is pasted in the middle of the panel

LT10-A

安装方法/
Installation method

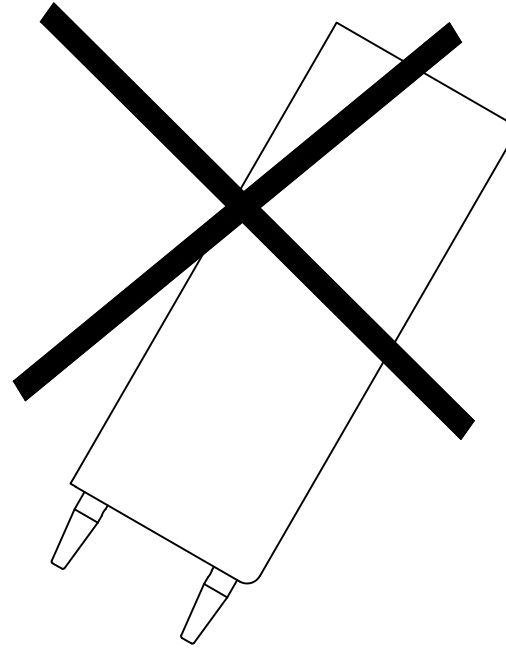
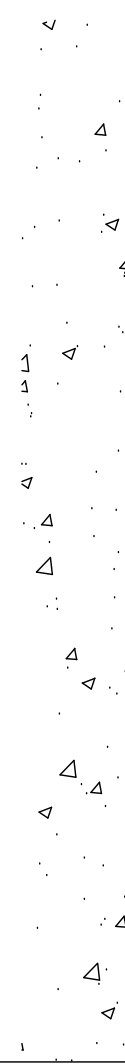


实体墙
Solid wall



I处放大图
Enlarged drawing

5



LT10-A

安装方法/
Installation method

分解图 Split diagram

