

林氏木业

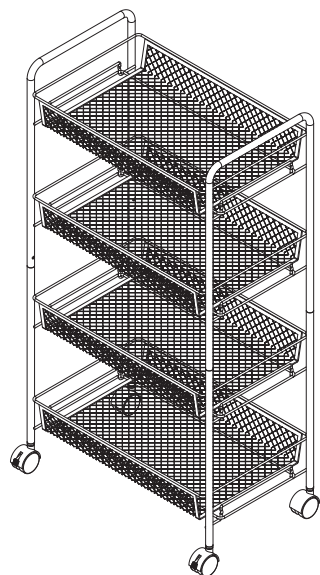
安装示意图

产品名称 LS092J8-A/B 产品规格 445*262*843

安装工具

cross screwdriver

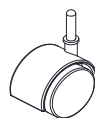
安装人员



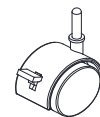
五金表



(A)*5
M4*8



(B)*2
Castor



(C)*2
Castor



(D)*4
Foot plug

Component list

编号	名称	规格	数量	材质
①	Basket	428*262*65	4	
②	Upper frame	413*257*16	2	Tube
③	Bottom frame	410*257*16	2	Tube

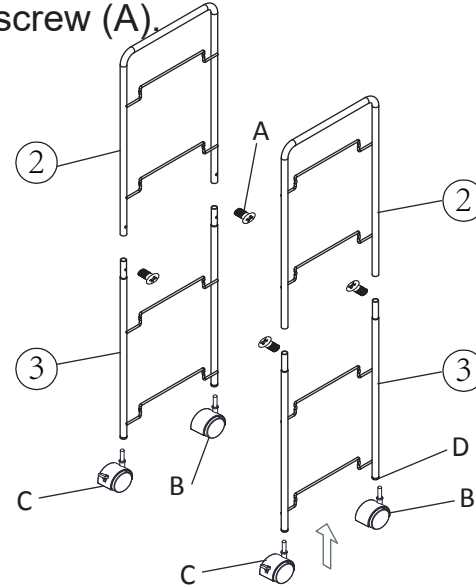
Installation

Warm reminder:
Please use the screws
correctly,
otherwise it will cause
serious
damage to the product!

Note: The wheel does not
need to screw into the cart,
press it directly . Wheels
with and without brakes can
be freely mounted on either
of the leg.

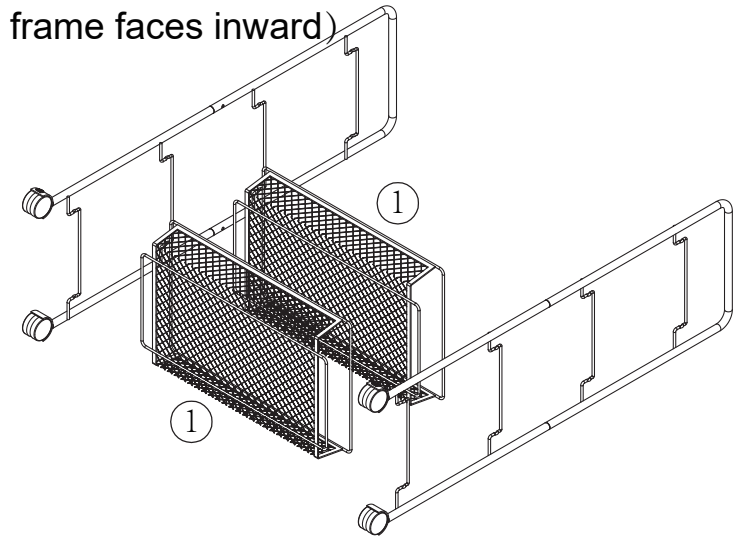
Place the wires of the two upper and lower frame facing inward and then lock them with screw (A).

1



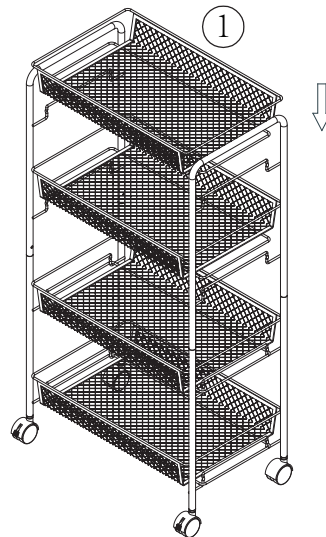
Fasten 2 baskets into the lower wire of the side frame (note that the wire of the side frame faces inward)

2



Straighten the rack and install the rest of the baskets in turn.

3



Complete

4

