

Installation

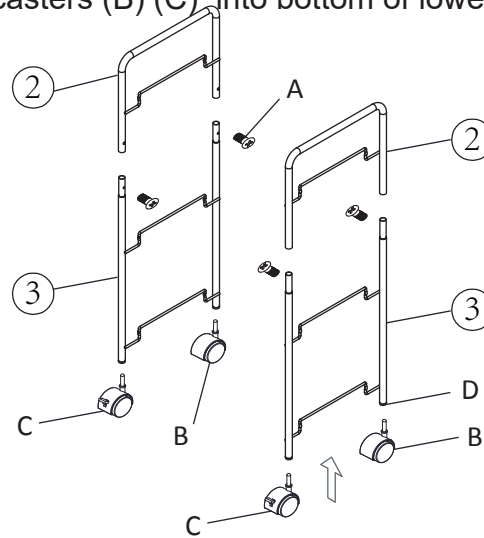
Warm reminder:

Please use the screws correctly, otherwise it will cause serious damage to the product!

Note: The wheel does not need to screw into the cart, press it directly. Wheels with and without brakes can be freely mounted on either of the leg.

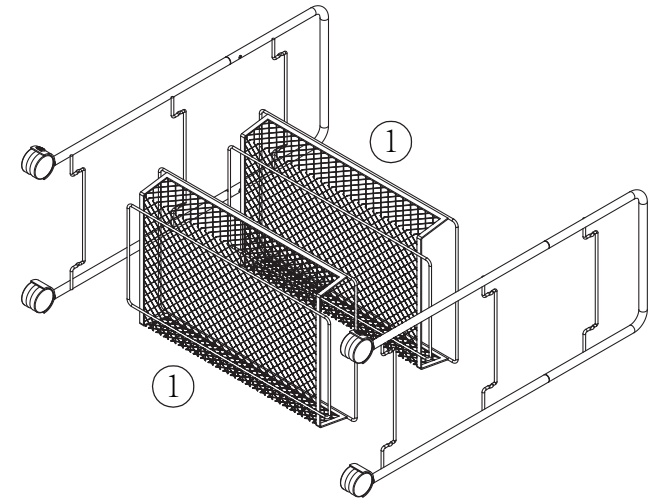
Place the wires of the two upper and lower frame facing inward and then lock them with screw (A).

Press casters (B) (C) into bottom of lower frame.



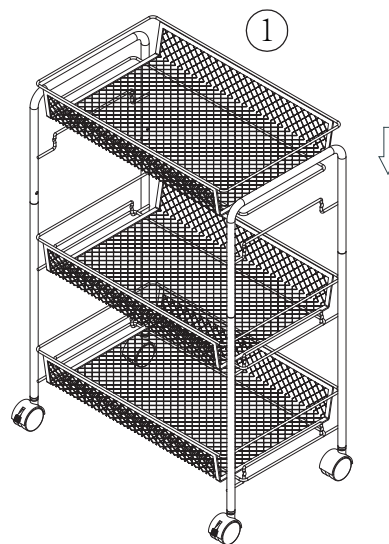
1

Fasten 2 baskets into the lower wire of the side frame (note that the wire of the side frame faces inward)



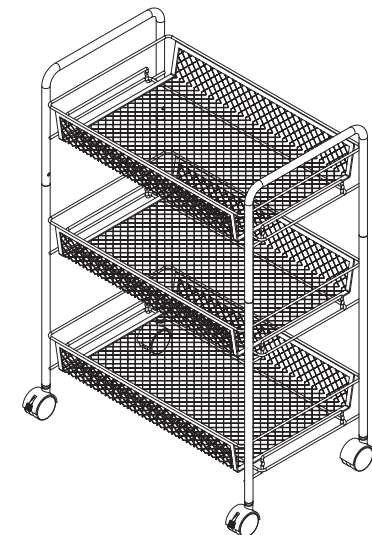
2

Straighten the rack and install the rest of the baskets in turn.



3

Complete



4