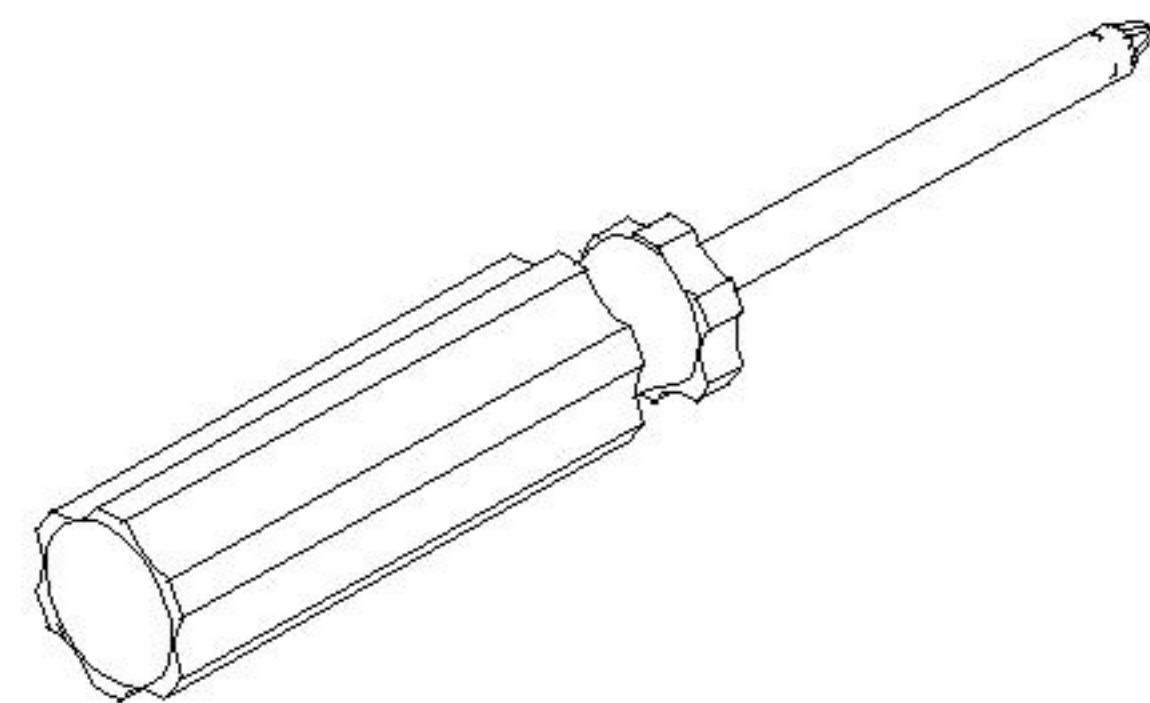
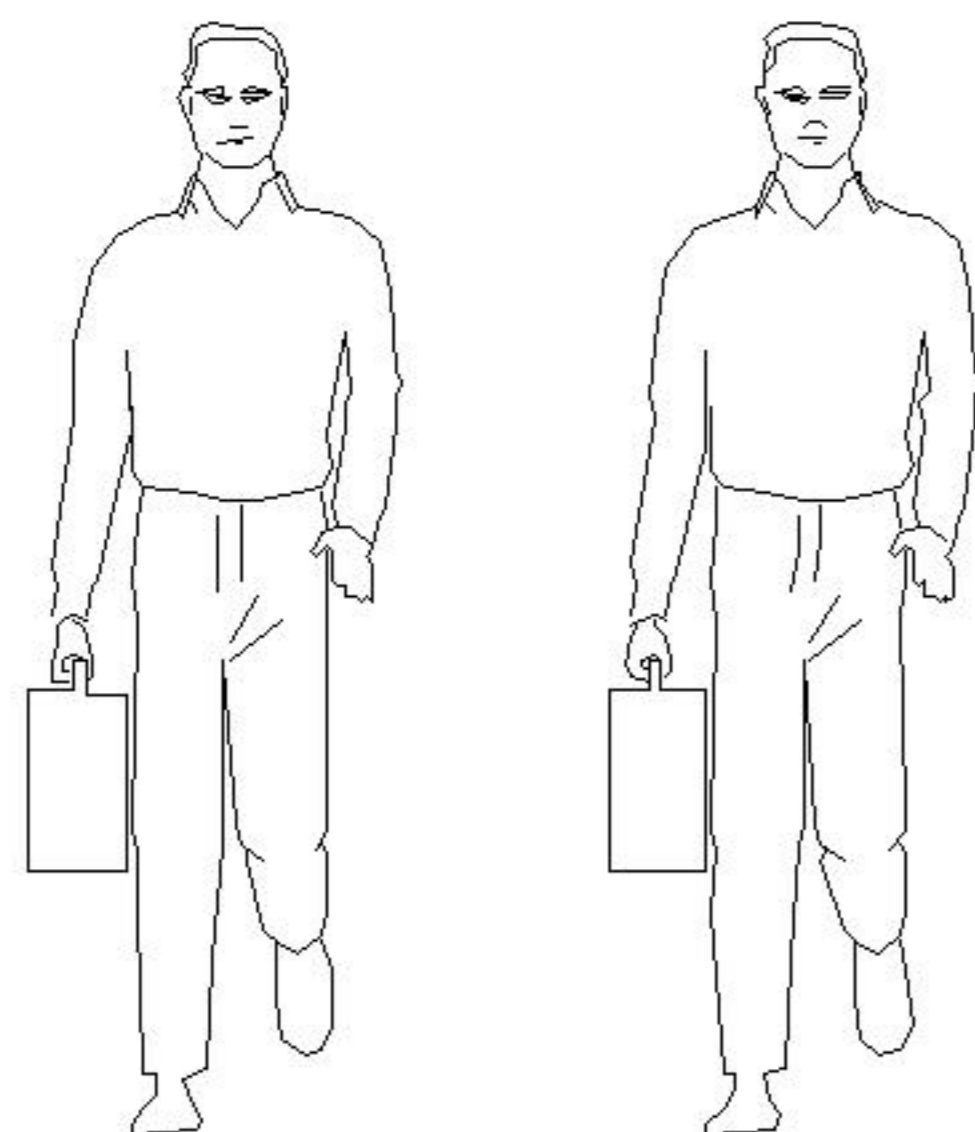
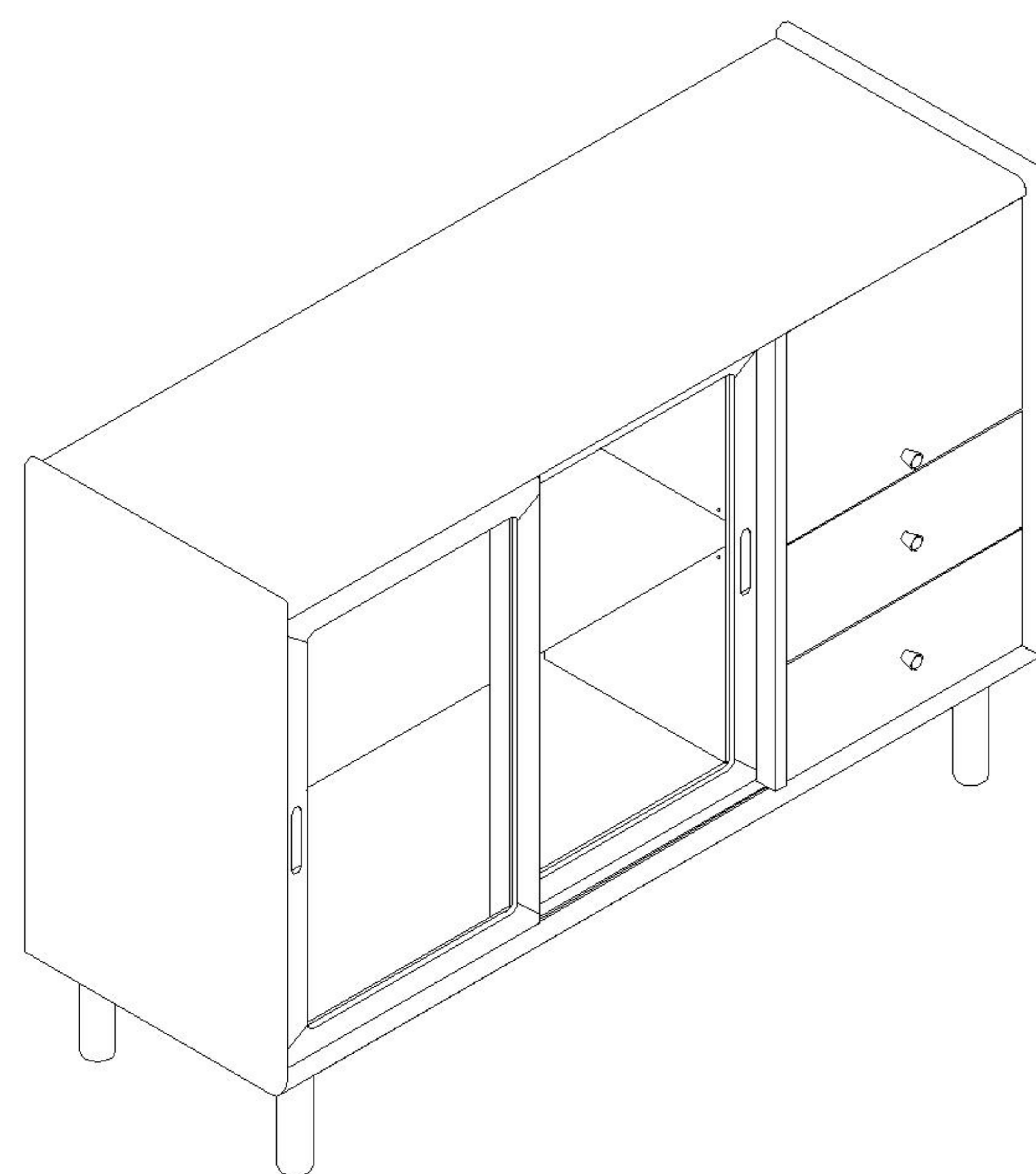




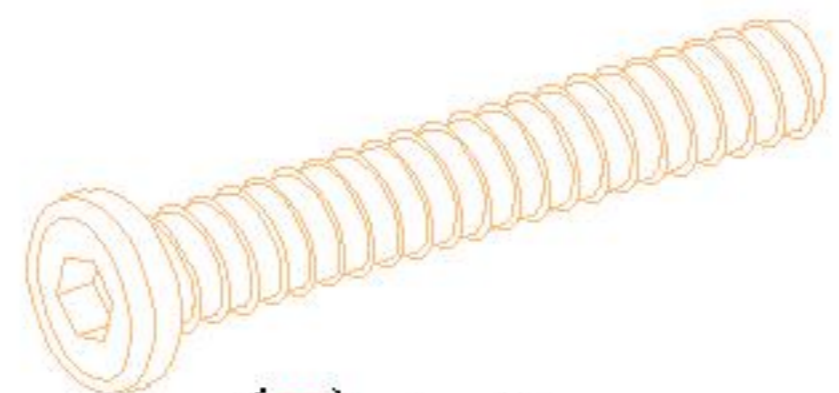

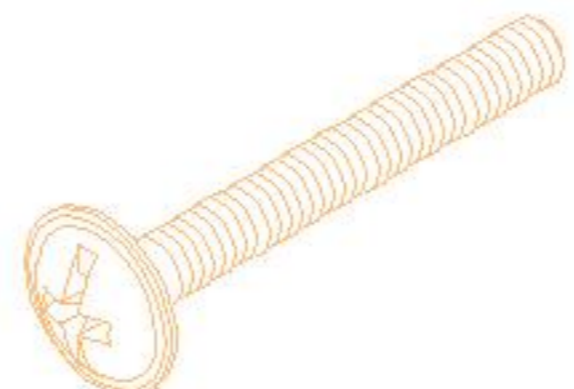
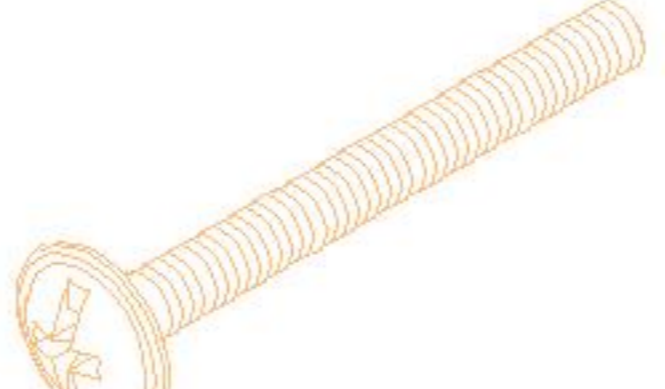
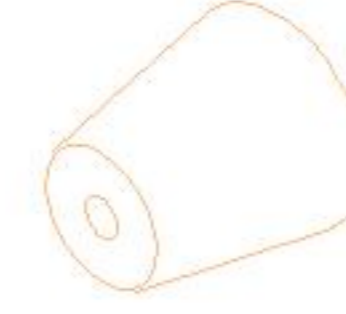
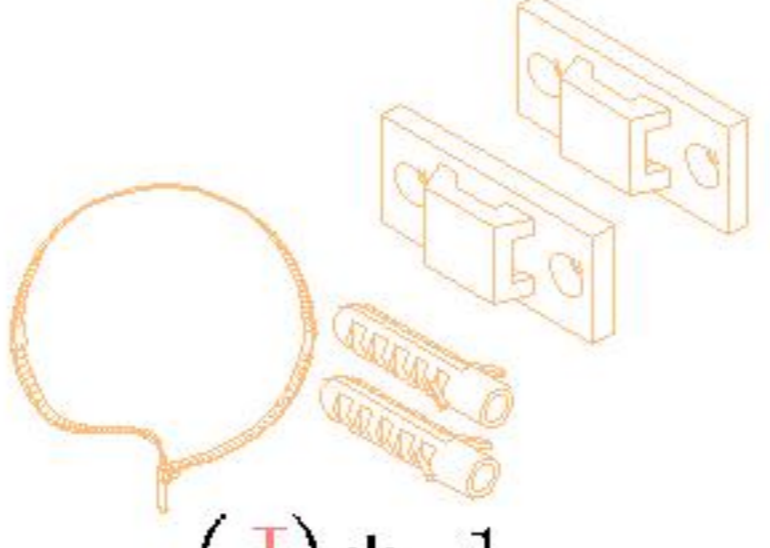
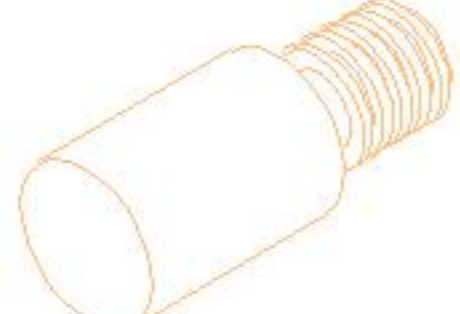



安装示意图/Assembly Instruction

产品名称 Model NO.	PK2T-A (1.2m)
产品规格 Specification	1200*407*831mm
安装工具 Tool	安装人数 Installer
	

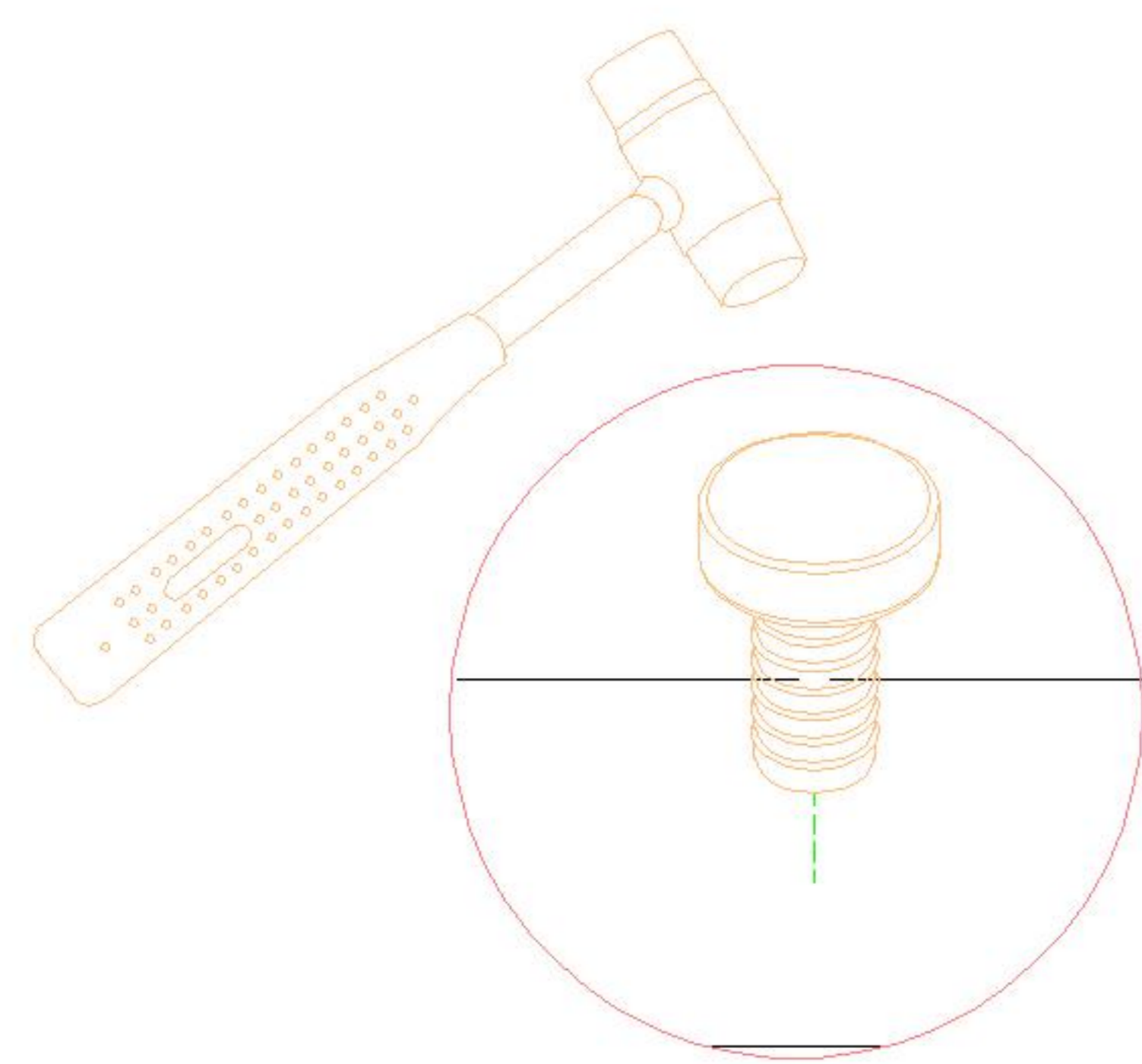


 (A)* 4 透明防滑PVC胶塞 Rubber stopper	 (B)* 1 调节脚-M8x30 Adjusting foot	 (C)* 1 全牙螺杆-M8x40mm screw- color zinc	 (D)* 1 内六角扳手4mm spanner-(4mm) hex
 (E)* 8 斜边内六角螺杆M6x65 Reveled hexagon socket head screw	 (F)* 8 垫片M6 Gasket	 (G)* 1 拉手螺丝-M4x25mm pulling screw	 (H)* 2 拉手螺丝-M4x35mm pulling screw
 (I)* 3 圆拉手 Round handle	 (J)* 1 家具防倒器-白色 Anti-fall device white	 (K)* 2 活动层板托(杆)6*19 Movable shelf support (rod)	 (L)* 2 透明防撞垫片010x1.5 Transparent anti-collision gasket

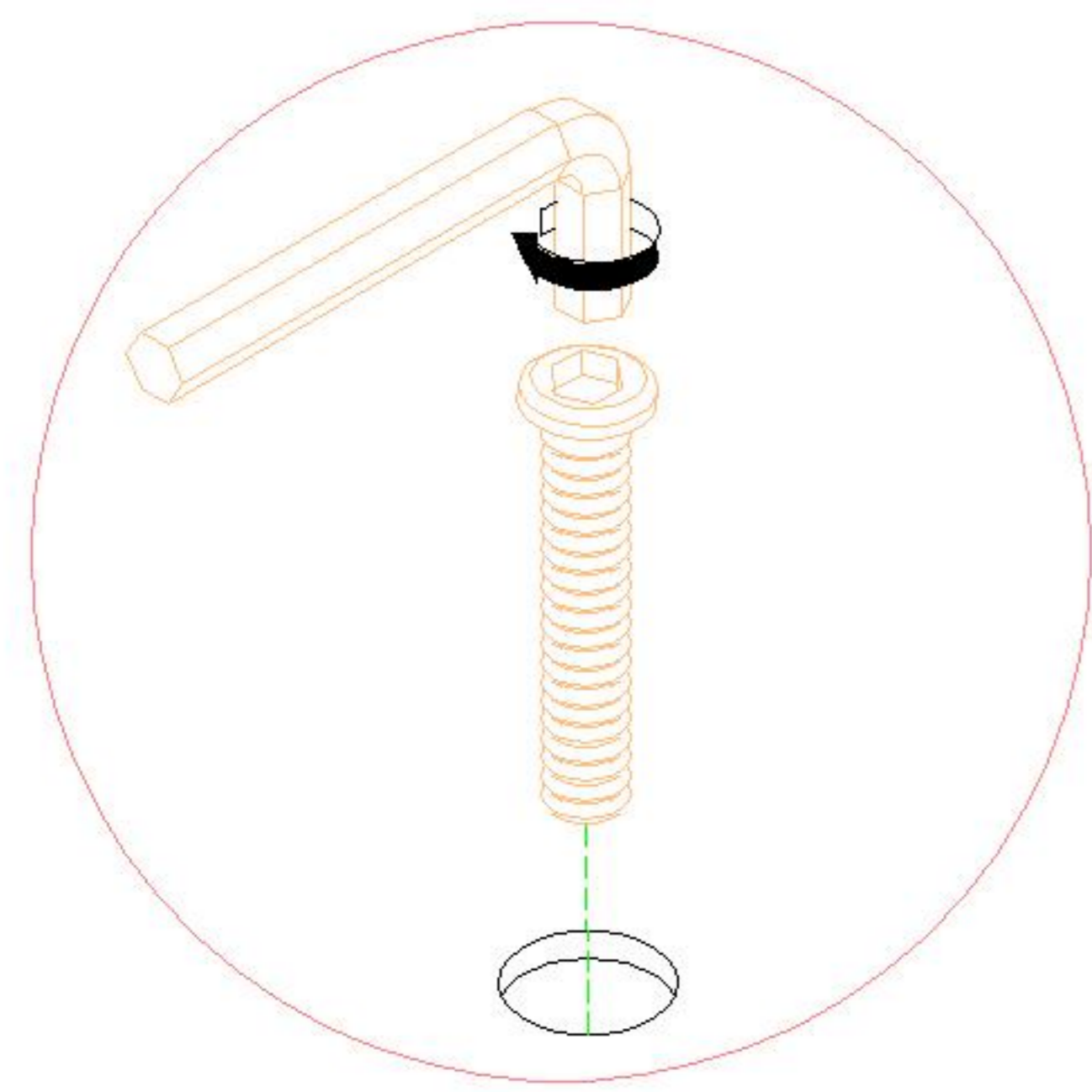
编号NO.	名称Name	规格 (mm) Specification	数量QTY	材质Material
①	整装柜子 Packaged cabinet	1200*400*716	1	实木 Wood
1-1	面板 Top panel	1160*390*20	1	实木 Wood
1-2	底板 Bottom board	1200*400*18	1	实木 Wood
1-3	底框 Bottom frame	1060*310*40	1	实木 Wood
1-4	左侧板 Side board(L)	658*400*20	1	实木 Wood
1-5	右侧板 Side board(R)	658*400*20	1	实木 Wood
1-6	中侧板 Middle side board	623*379*18	1	实木 Wood
1-7	后拉条 Back brace	1158*35*18	2	实木 Wood
1-8	左背板 back board(L)	619*397*8	2	实木 Wood
1-9	右背板 back board(R)	619*397*8	1	实木 Wood
1-10	左活动层板 Movable shelf(L)	768*326*18	1	实木 Wood
1-11	右活动层板 Movable shelf(R)	372*356*18	1	实木 Wood
1-12	趟门板 Door plank	629*400*20	2	实木+玻璃 Wood+glass
1-13	垫条1 Cushion strip 1	270*20*12	2	实木 Wood
1-14	抽屉面板 Drawer's top panel	369*158*20	2	实木 Wood
1-15	抽屉内盒 Drawer inner box	347*295*110	2	实木 Wood
1-16	连接木1 Linked wood one	280*20*20	2	实木 Wood
②	脚 Foot	150*40*40	4	实木 Wood
③	中脚 Middle foot	140*30*30	1	实木 Wood
④	翻门 Swing door	369*295*20	1	实木 Wood

PK2T-A (1.2m)

安装方法/
Installation method



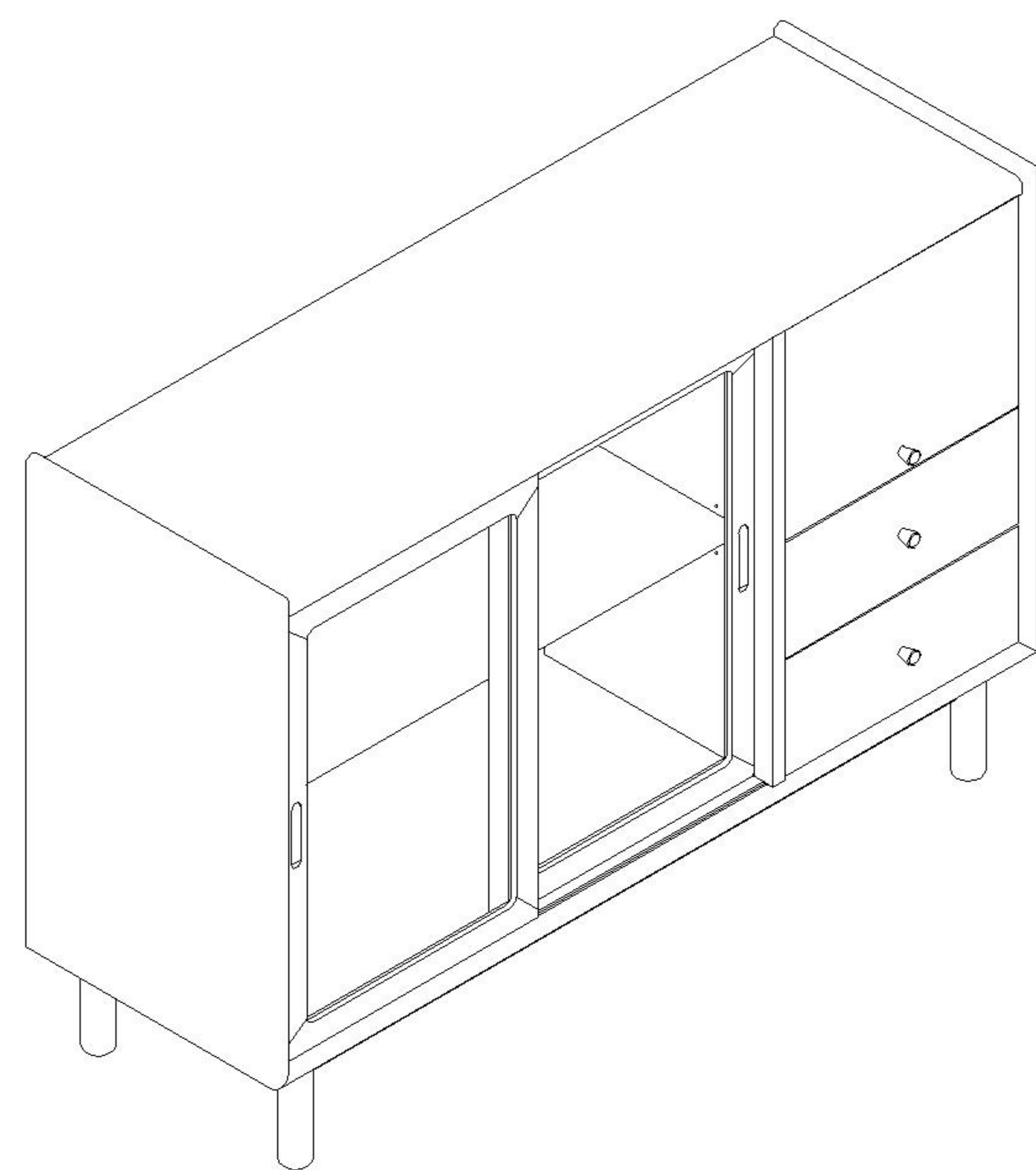
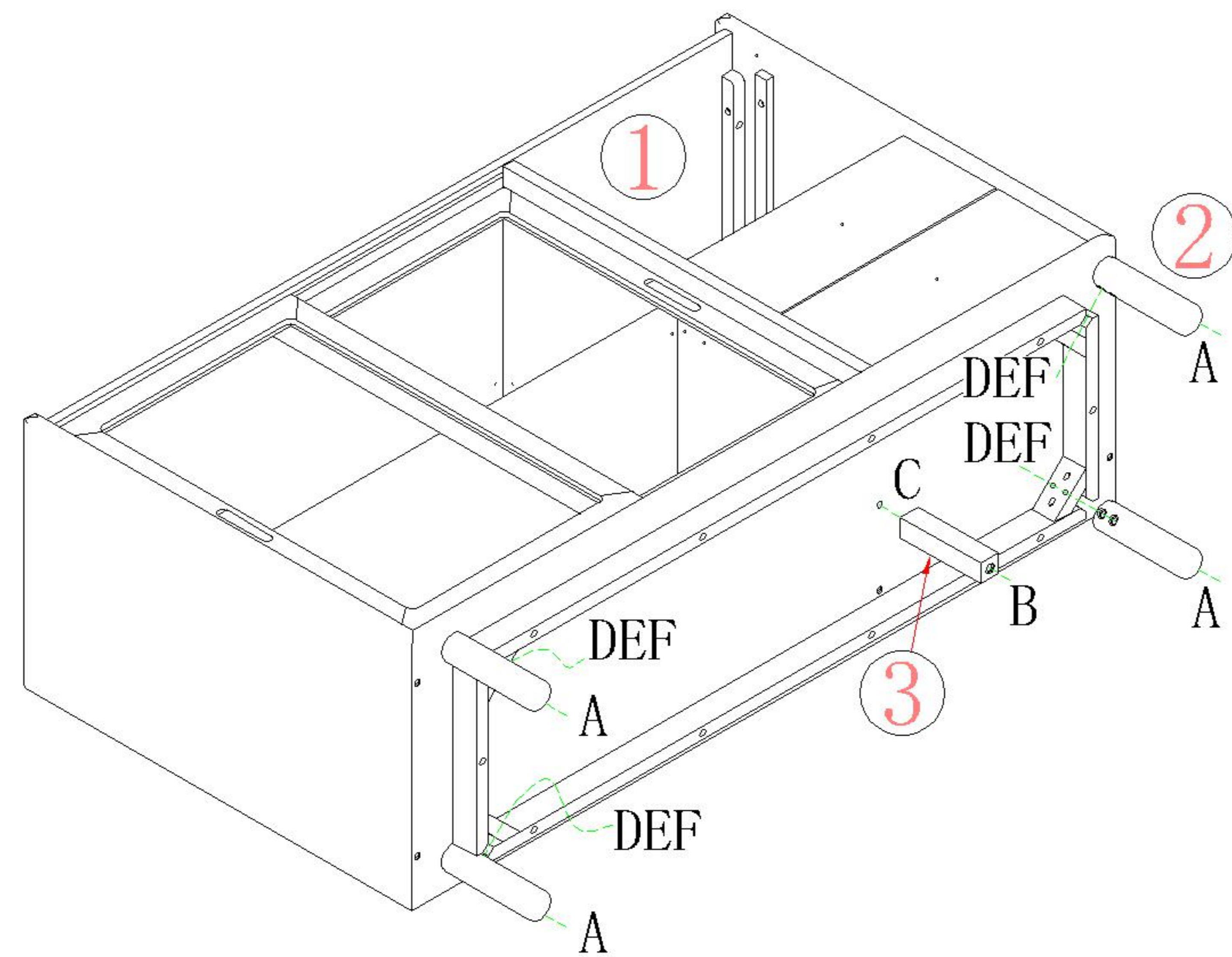
防滑PVC胶塞
Rubber stopper



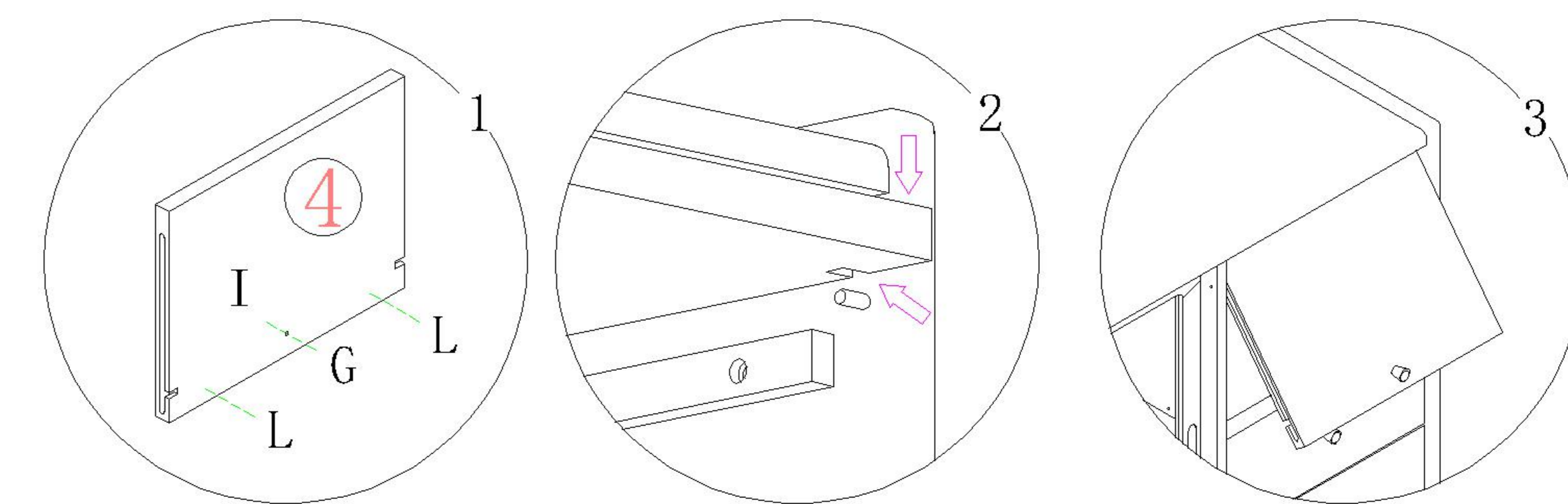
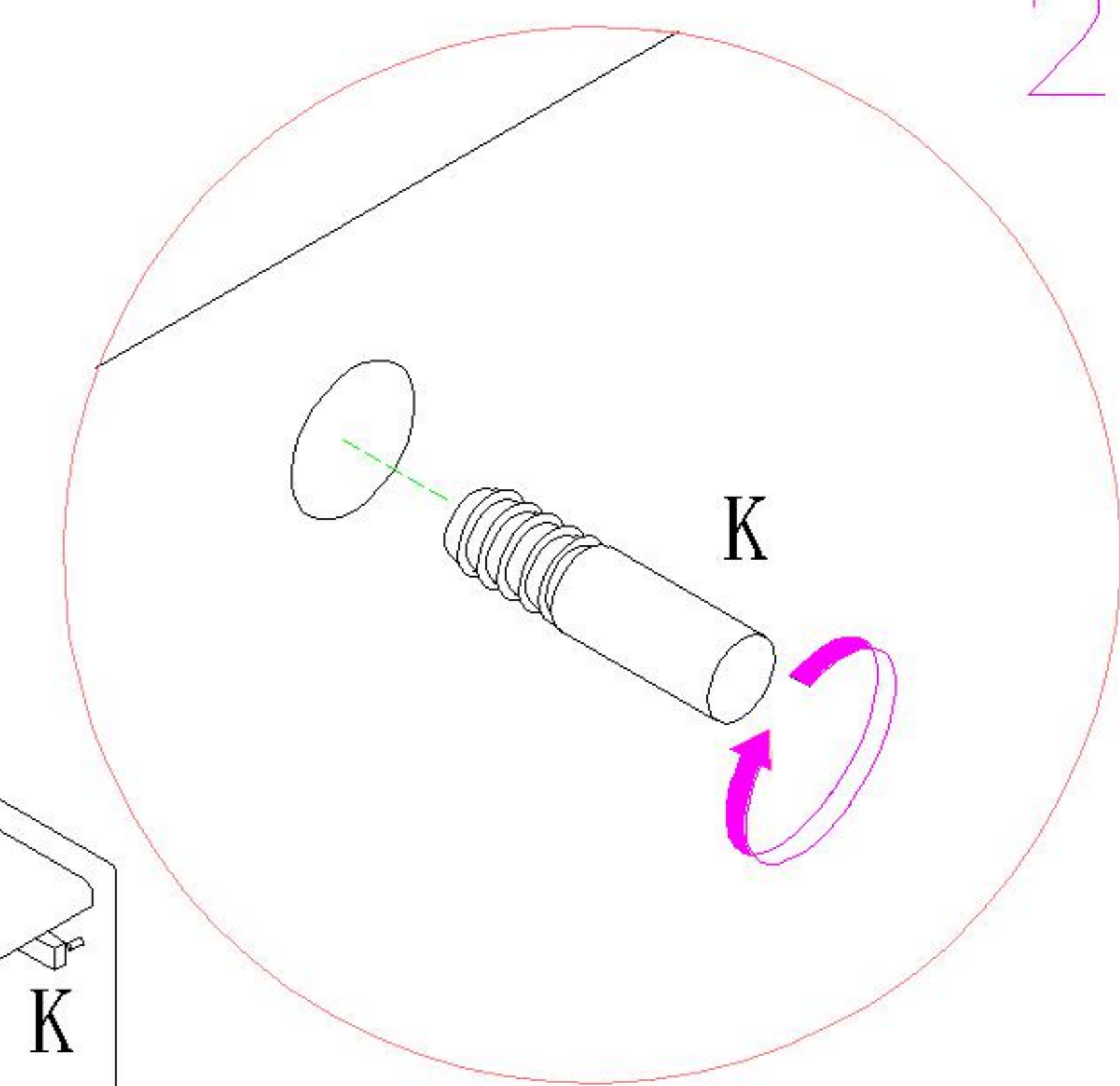
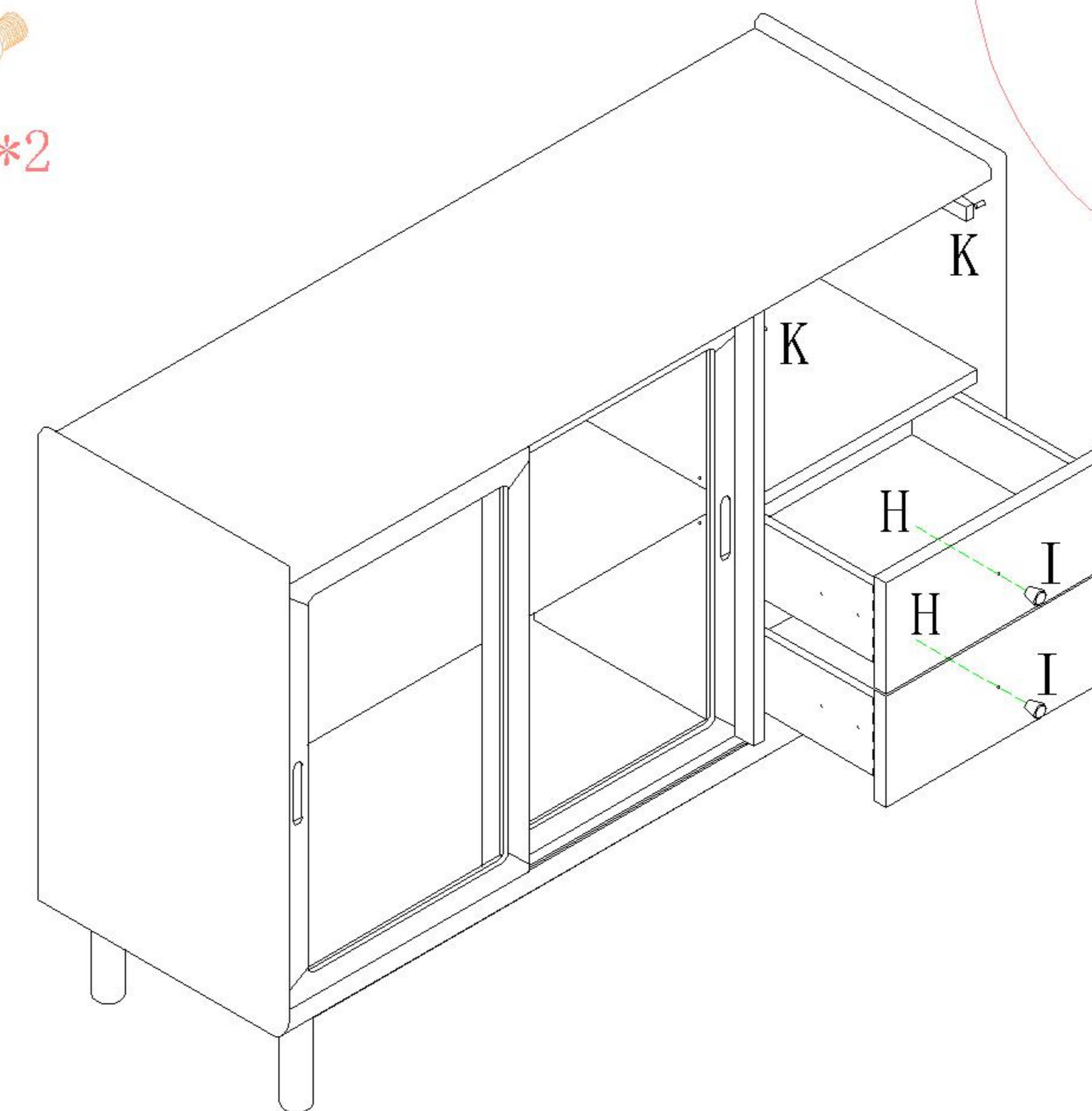
斜边内六角螺杆
Beveled hexagon socket head screw

- (A)*4
- (B)*1
- (C)*1
- (D)*1
- (E)*8
- (F)*8

- (G)*1
- (I)*1
- (L)*2



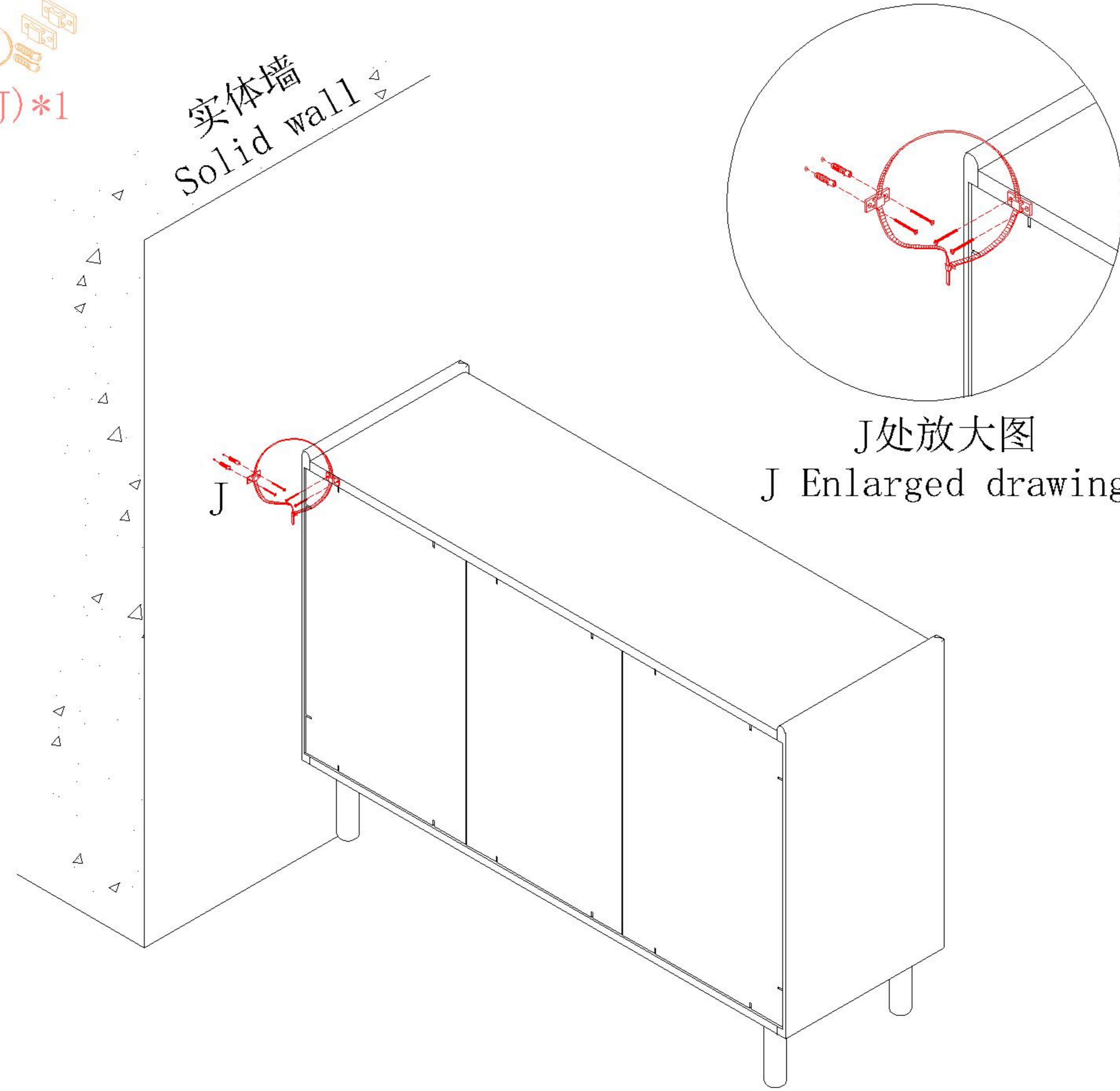
- (H)*2
- (I)*2
- (K)*2



PK2T-A (1.2m)

安装方法/
Installation method

(J)*1



4

