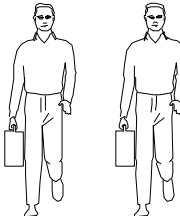




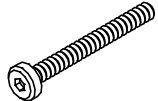

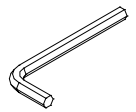
LINSY 林氏家居

五金表/Hardware list

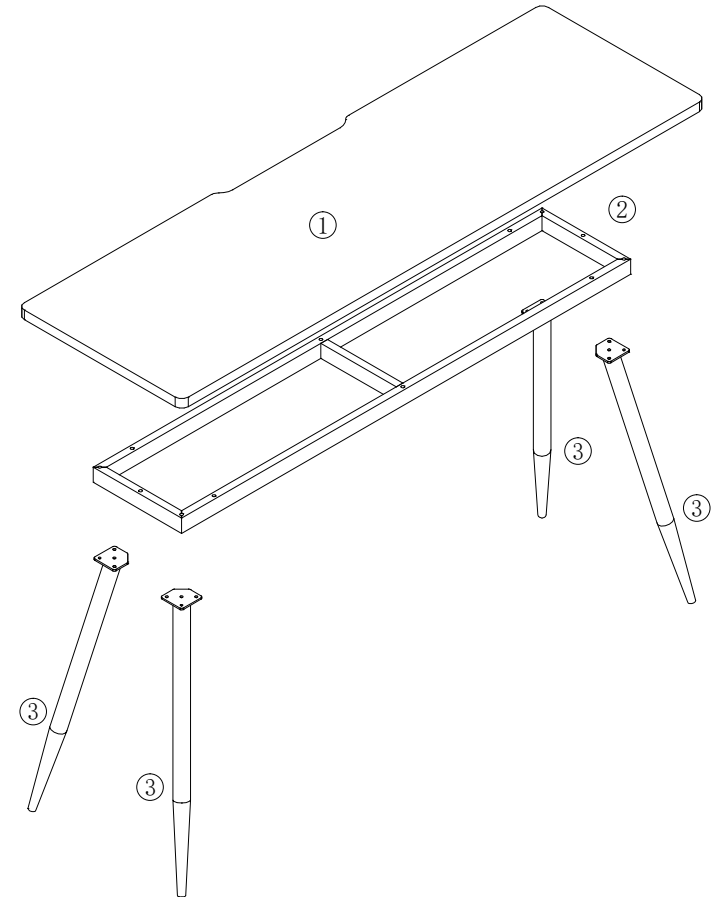
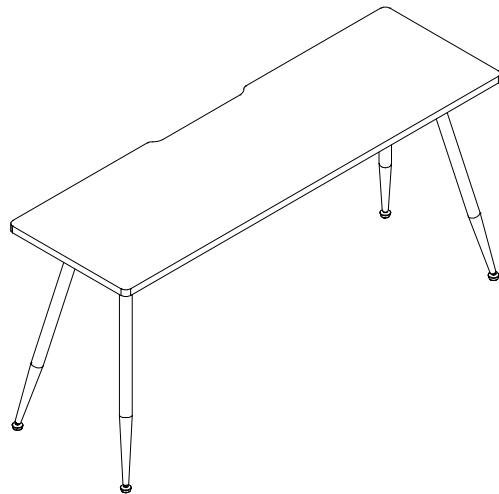
部件表/Parts List

安装示意图/Assembly Instruction

产品名称 Model NO.	BG045-A/BG045-B 1.6米电脑桌 Computer desk
产品规格 Specification	1600*500*750mm
安装工具 Tool	安装人数 Installer
	

			
(A)*8 扁圆头M6*15 Hexgon socket head screw	(B)*4 扁圆头M6*45 Hexgon socket head screw	(C)*8 扁圆头M6*55 Hexgon socket head screw	(D)*4 调节脚垫M8*13 Adjustable foot pad
			
(E)*1 内六角扳手 Hexagaon bar wrench			

编号NO.	名称Name	规格 Specification	数量QTY	材质Material
①	台面板 Top board	1600*500*25	1	刨花板 Particle board
②	台面框结合件 Steel frame	1370*240*40	1	铁架 steel frame
③	脚支撑结合件 Column	695*71*88	4	铁架 steel frame



BG045-A/BG045-B 1.6米/M

安装方法/Installation method

温馨提示:

请正确使用螺丝, 否则将会造成产品严重损坏

Warm tips:

Please use the correct screws, otherwise the product will be seriously damaged.

注意:

完成组装后再锁紧螺丝

Attention:

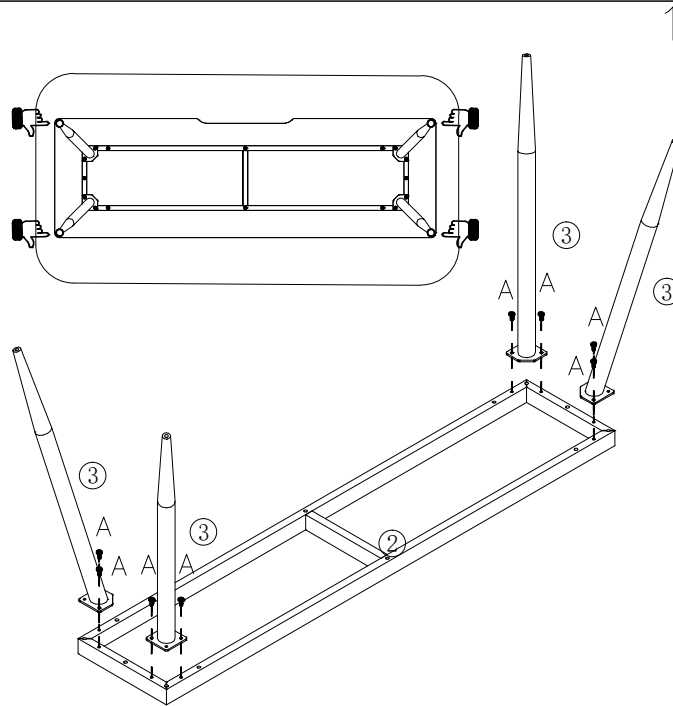
Please lock the screws after assembly.



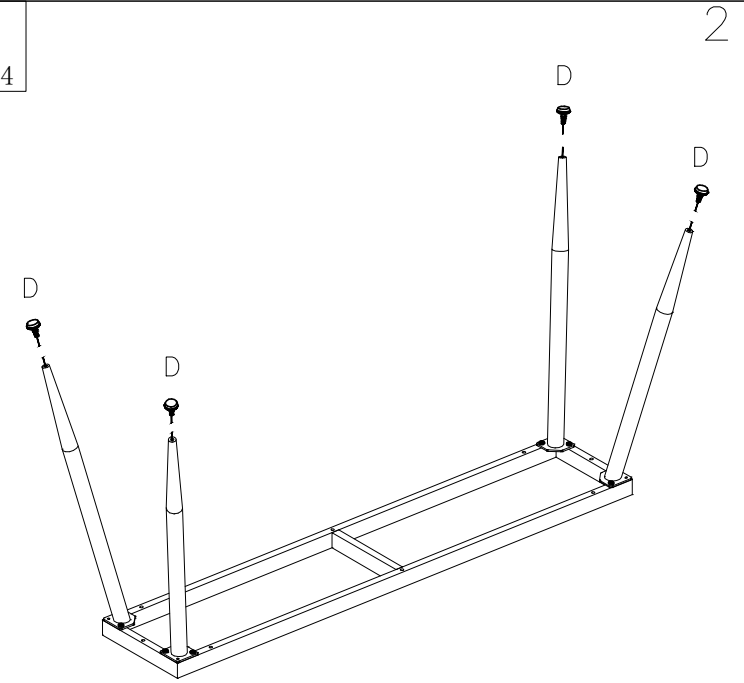
(A)*8



(E)*1



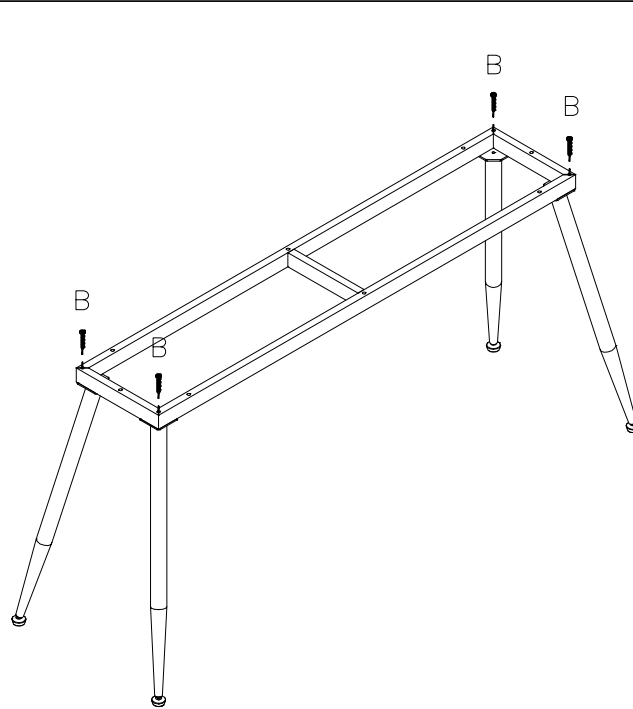
(D)*4



(B)*4



(E)*1



(C)*8



(E)*1

