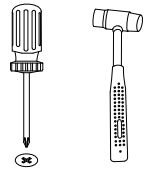
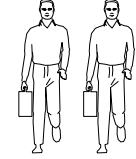


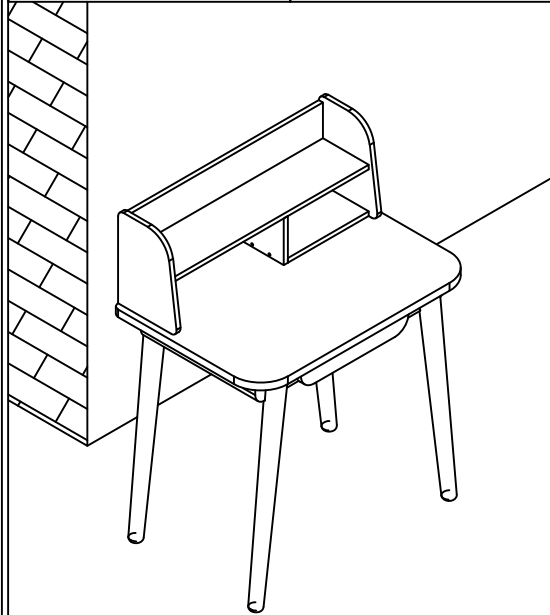
LINSY 林氏家居

五金表/Hardware list


















部件表/Parts List

安装示意图/Assembly Instruction

产品名称 Model NO.	LH020V1-A (0.8M) LH020V1-A (0.8M)
产品规格 Specification	800*550*1050
安装工具 Tool	安装人数 Installer
	



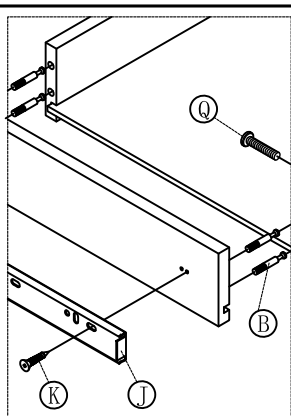
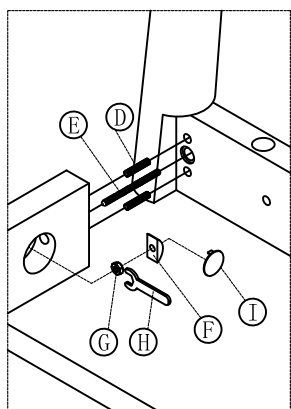
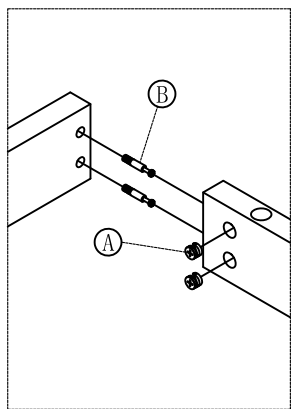
注意：成人安装，儿童勿近！
使用本产品请靠墙放置
Attention: adult installation,
keep away from children!
Please place this product
against the wall

 (A)*30 三合一锁饼 Three in one lock cake	 (B)*30 二合一锁杆M7*35 Two in one locking rod	 (D)*8 木梢 ϕ 8*40 Woody shoot	 (E)*4 全牙螺杆M8*80 Full tooth screw
 (F)*4 半月牙M8 Semilunar	 (G)*4 螺母M8 Nut	 (H)*1 开口扳手 14# Open end wrench	 (I)*4 塑胶孔盖M38 Plastic hole cover
 (J)*1 10"三节滚珠滑轨 Three section ball slide rail	 (K)*13 自攻螺丝M3.5*12 Self tapping screw	 (L)*4 内六角螺杆M6*40 Hexagon socket head screw	 (M)*1 4mm内六角搬手 Inner hexagon spanner
 (N)*14 内六角螺杆M6*65 Hexagon socket head screw	 (O)*5 脚垫 ϕ 23*3 Door mat	 (Q)*2 平头螺杆M6*25 Flat head cross screw	 (R)*12 过山丝M7*38 Mountain silk
 (S)*2 防倒五金 Anti collapse hardware			

编号NO.	名称Name	规格 Specification	数量QTV	材质Material
①	中侧板 Middle side plate	375*80*25	2	
②	背板 Backplane	552*80*25	1	三胺板 Triamine plate
③	挡板 Baffle	106*80*25	2	
④	脚 Foot	495*55*725	2	实木 Solid wood
⑤	装饰板 Trim panel	423*80*50	2	中纤板 MDF
⑥	面板 Panel	800*550*25	1	
⑦	抽尾 Tail pulling	283*70*15	1	
⑧	抽前 Before pumping	283*70*15	1	三胺板 Triamine plate
⑨	抽侧 Side extraction	300*70*15	2	
⑩	抽底 Bottom pulling	293*278*5	1	
⑪	抽面 Draw surface	400*97*18	1	实木 Solid wood
⑫	书架背板 Bookshelf back plate	730*280*15	1	
⑬	书架层板 Bookshelf laminate	730*170*15	1	
⑭	书架右侧 Bookshelf right	300*217*15	1	三胺板 Triamine plate
⑮	书架左侧 Bookshelf left	300*217*15	1	
⑯	书架底板 Bookshelf bottom plate	300*170*15	1	
⑰	书架中竖板 Bookshelf middle riser	170*150*15	1	

LH020V1-A (0.8M)

安装方法/Installation method



(A)*8



(B)*8



(N)*10 (O)*4

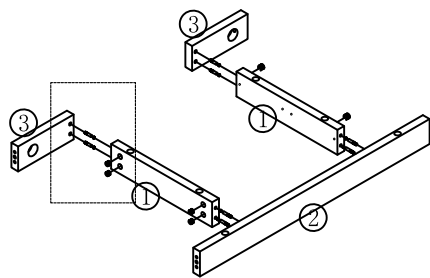


(M)*1

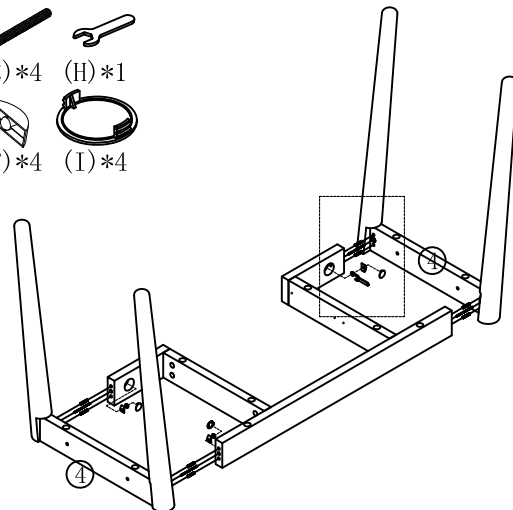


1

- (D)*8 (G)*4
- (E)*4 (H)*1
- (F)*4 (I)*4

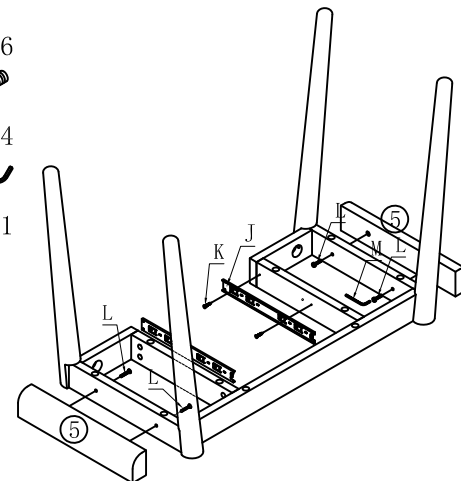


2



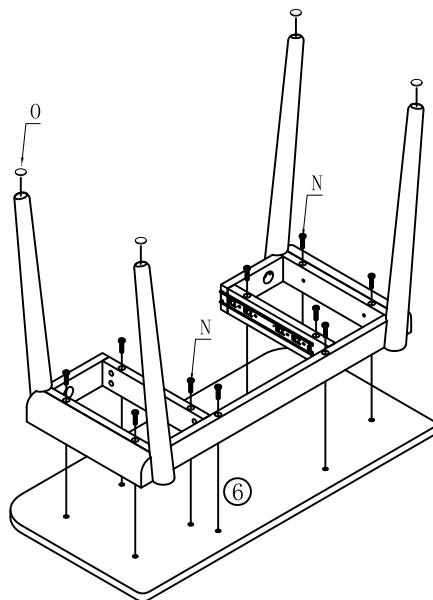
3

- (J)*1
- (K)*6
- (L)*4
- (M)*1



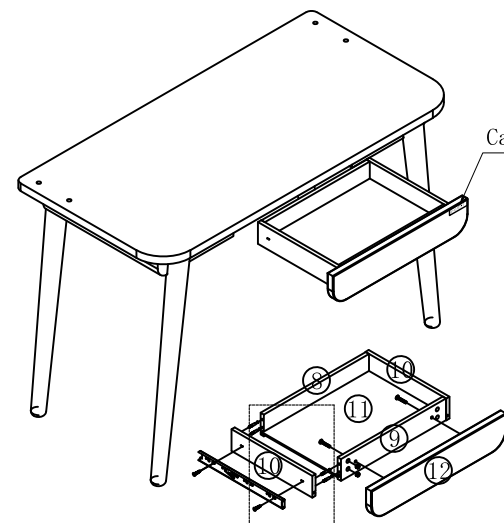
4

- (Q)*2 (P)*8
- (J)*1
- (K)*6



5

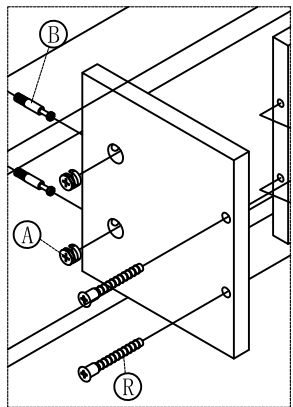
- (J)*1
- (K)*6



小心夹手标志
Caution pinch sign

LH020A3-A (0.8M)

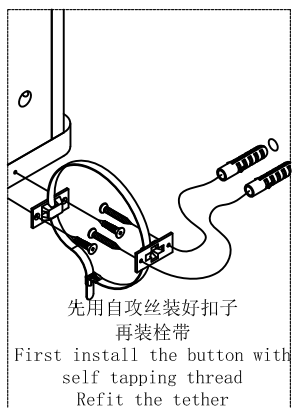
安装方法/Installation method



(A)*8

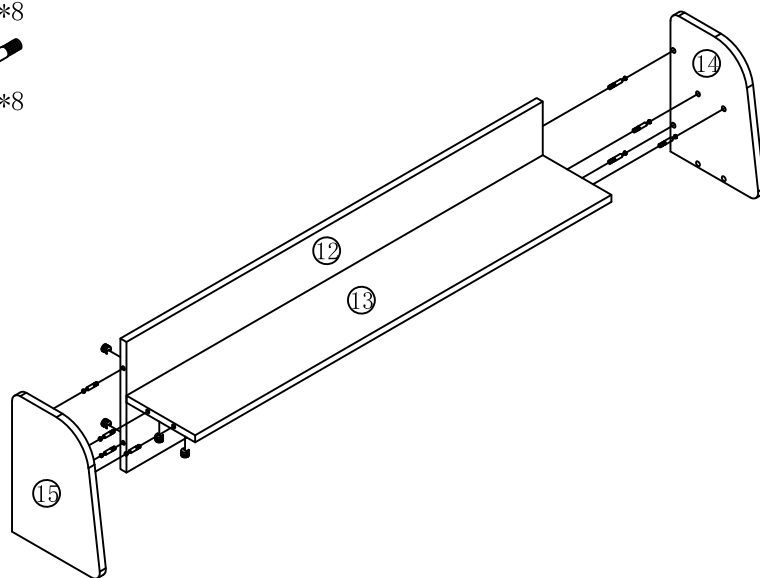


(B)*8



(R)*4

先用自攻丝装好扣子
再装栓带
First install the button with
self tapping thread
Refit the tether



6



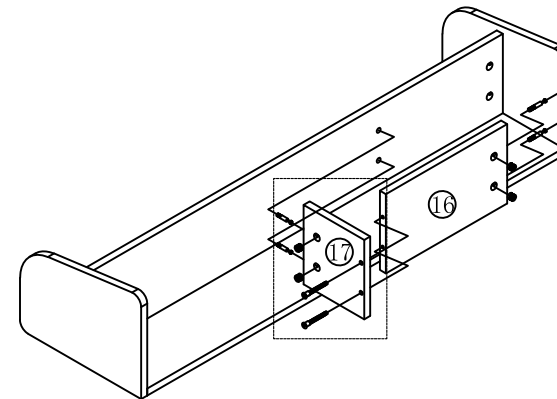
(A)*4



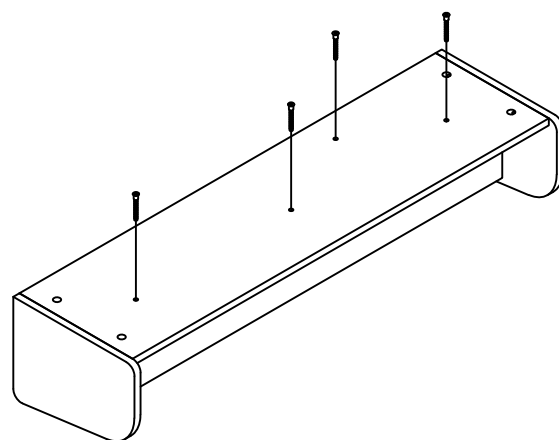
(B)*4



(R)*2



7



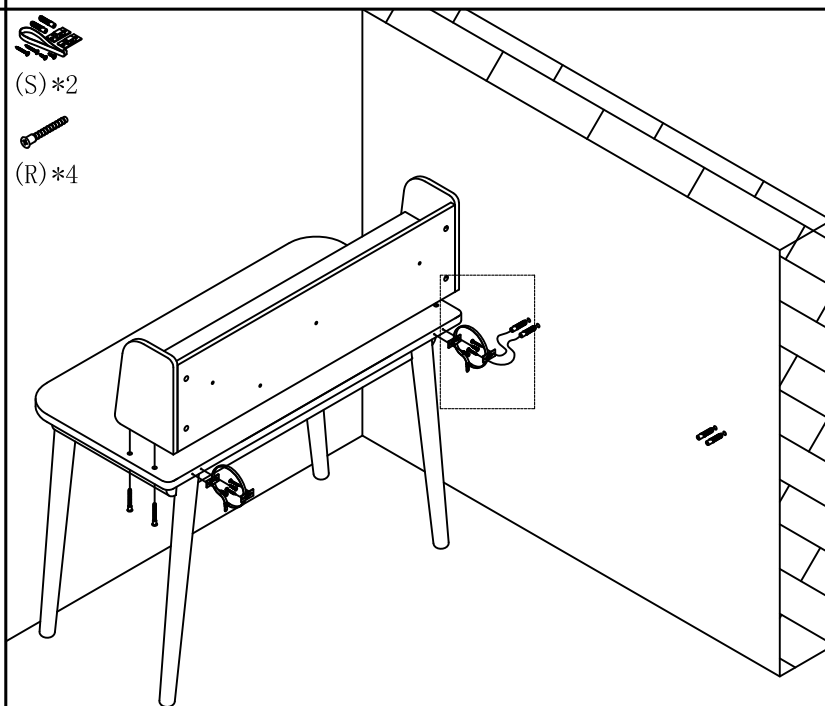
8



(S)*2



(R)*4



9