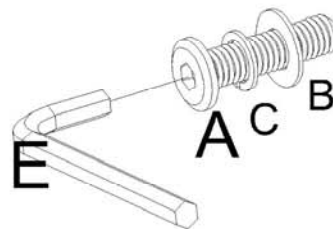


LINSY 林氏家居

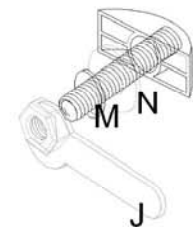
安  
装  
工  
具  
L



I  
n  
s  
t  
a  
l  
l  
e  
r



内六角螺丝垫片安装顺序  
Installation sequence of hexagon socket screw gasket



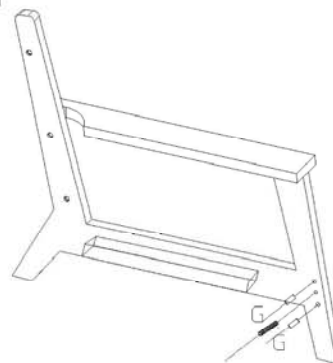
内六角螺丝垫片安装顺序  
Installation sequence of hexagon socket screw gasket

安装示意图/Assemly instruction

产品名称 Model Name	LH150K1-A	产品规格 Specification	2200*960*850mm
--------------------	-----------	-----------------------	----------------

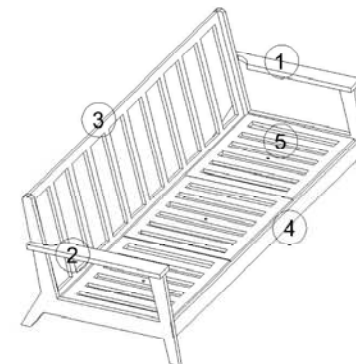
五金表/Accessorieslist				部件表/Parts List				
编号 NO.	名称/NAME	图示 Icon	数量 QTY	编号 NO.	名称/NAME	规格/Specification	数量 QTY	材质/material
A	内六角螺丝M6*50 M6*50bevel hexagon bolt		6	①	左扶手 left-armrest	940*781*100	1	实木 solid wood
B	平垫片M6 Flat gasket		9	②	右扶手 right-armrest	940*781*100	1	实木 solid wood
C	弹簧垫片M6 Spring washer		9	③	沙发靠背 Sofa back	2000*628*60	1	实木 solid wood
D	圆棒棒φ10*30 Round tenon		4	④	前横 Front cross	2000*90*60	1	实木 solid wood
E	内六角扳手D1 1mm internal hexagonal wrench		1	⑤	衬板 Plating	666*664*20	3	实木 solid wood
F	自攻螺丝M4*25mm M4*25 self tapping screw		18	⑥	中腿 mid-leg	195*40*40	3	实木 solid wood
G	全丝杆M8*80mm Full screw M8*80mm		2	⑦	麻包 seat bag	1005*750*230	2	灯芯绒+海绵 velvet + sponge
H	M8螺母 M8 nut		2	⑧	软布袋包 Soft bag with backrest	1005*500*200	2	灯芯绒+海绵+灯芯绒 velvet + sponge + velvet
I	半月介 Half moon		2	⑨				
J	开口扳手 Open wrench		1					
K	锤头螺母 Hammerhead nut		3					
L	内六角螺丝M6*60 M6*60bevel hexagon bolt		3					
M	M8弹簧垫片 Spring washer		2	N	M8平垫 Flat gasket		2	

step 1



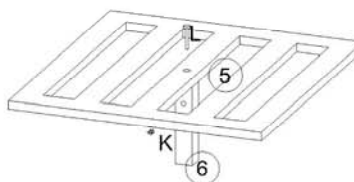
△ 将五金D插入部件1的圆孔中；  
将五金E将拧入部件1螺丝孔中。  
Insert the hardware D into the round hole of part 1;  
Screw the hardware E into the part 1 screw hole.

STEP 2



△将部件1、2、4用五金G、H、M、I、N,将部件1、2、3用五金A、C、B连接  
Connect parts 2 and 3 with hardware H、C、B、I,  
and parts 1 and 2 with hardware A、C、B;

STEP 3



△用五金L、K将部件4、5连接  
Connect the part 5、6 with hardware L、K.



△将STEP 1组装好的部件和STEP 3  
组装好的部件使用五金F连接  
放上软包  
Parts and components assembled by STEP 2  
Components are connected with hardware F  
put in the soft bag

效果图  
R  
e  
n  
d  
e  
r  
i  
n  
g  
s

