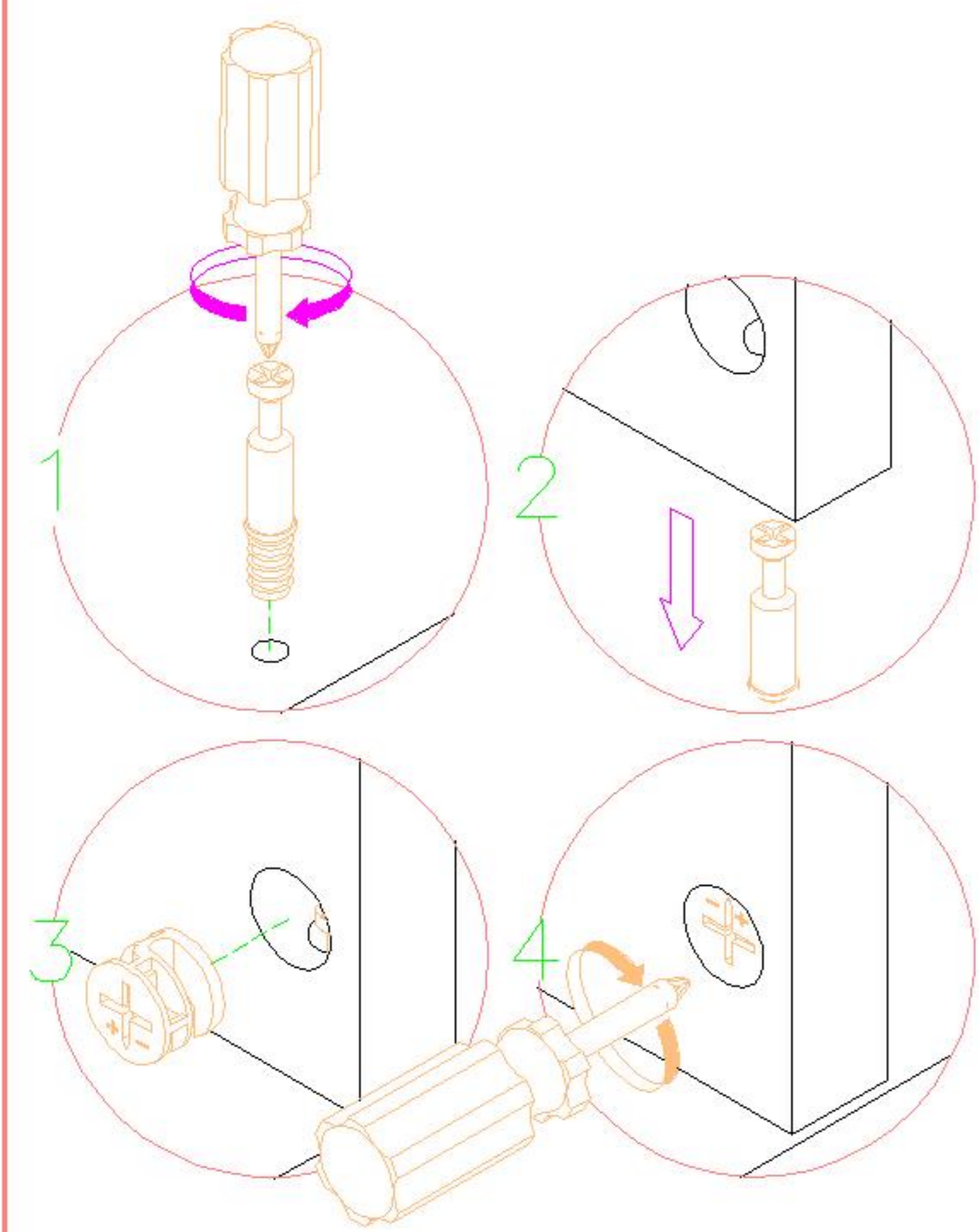


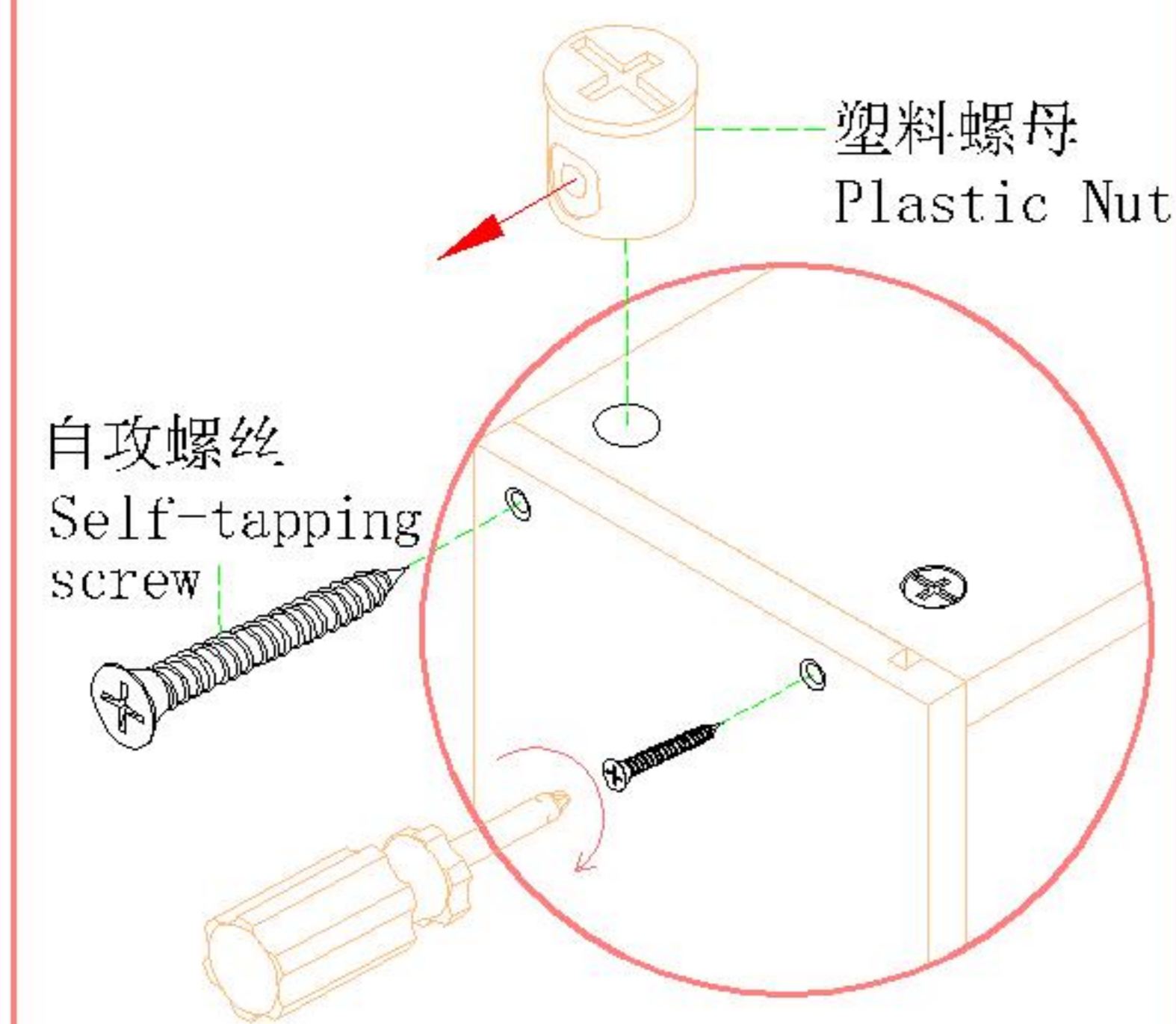
OV1E-C

安装方法

Installation method



二合一 two-in-one



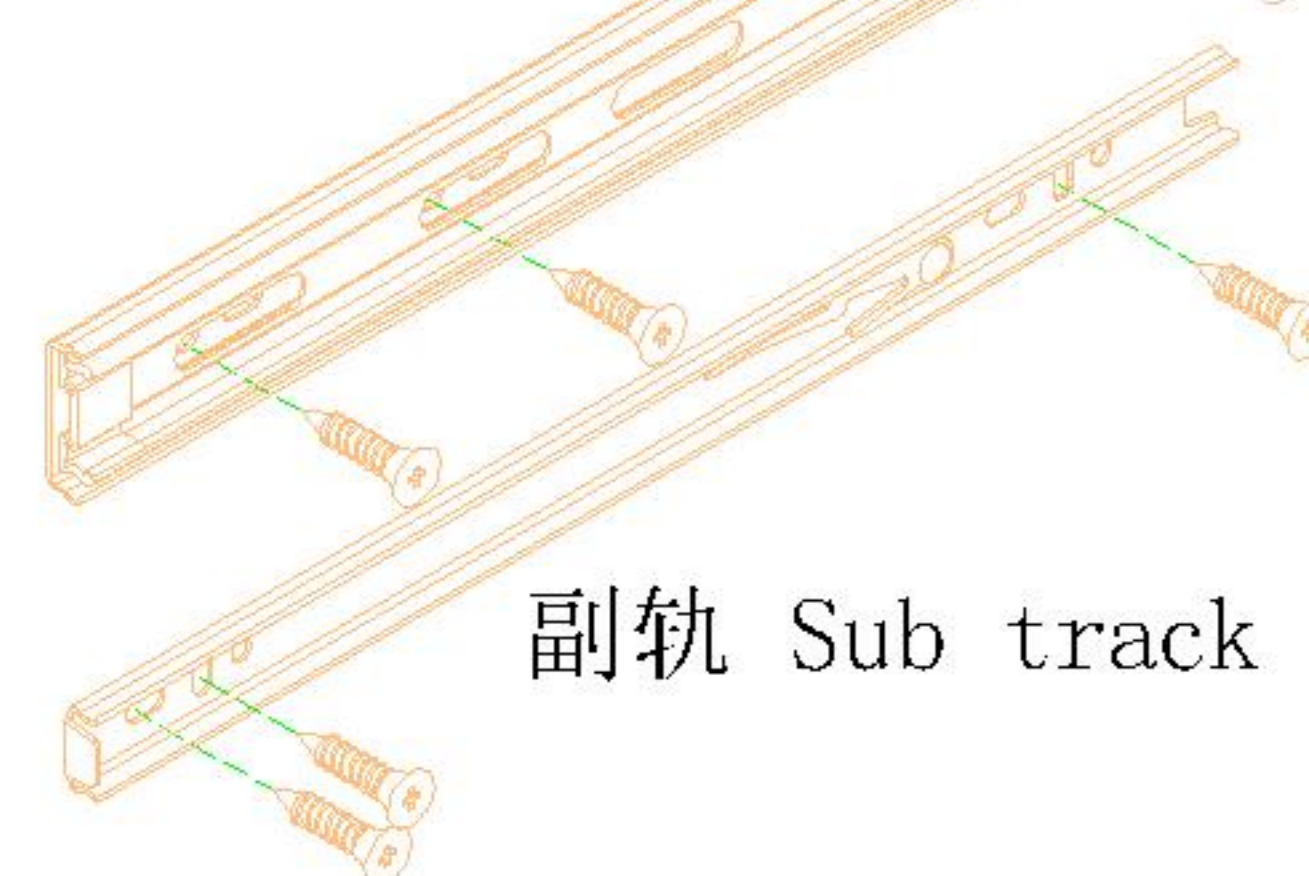
塑料螺母 Plastic Nut

阀门开关(下压为开)
Valve switch (press down to open)

前 Forward 后 Back



主轨 Main track

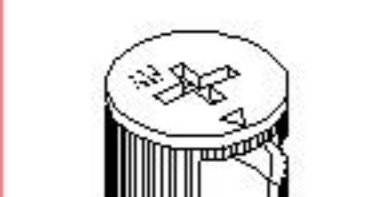


副轨 Sub track

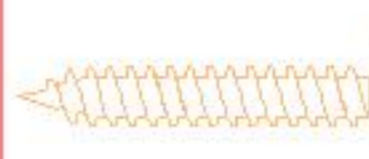
三节滚珠导轨-10"
Three-section rail



(C)*8



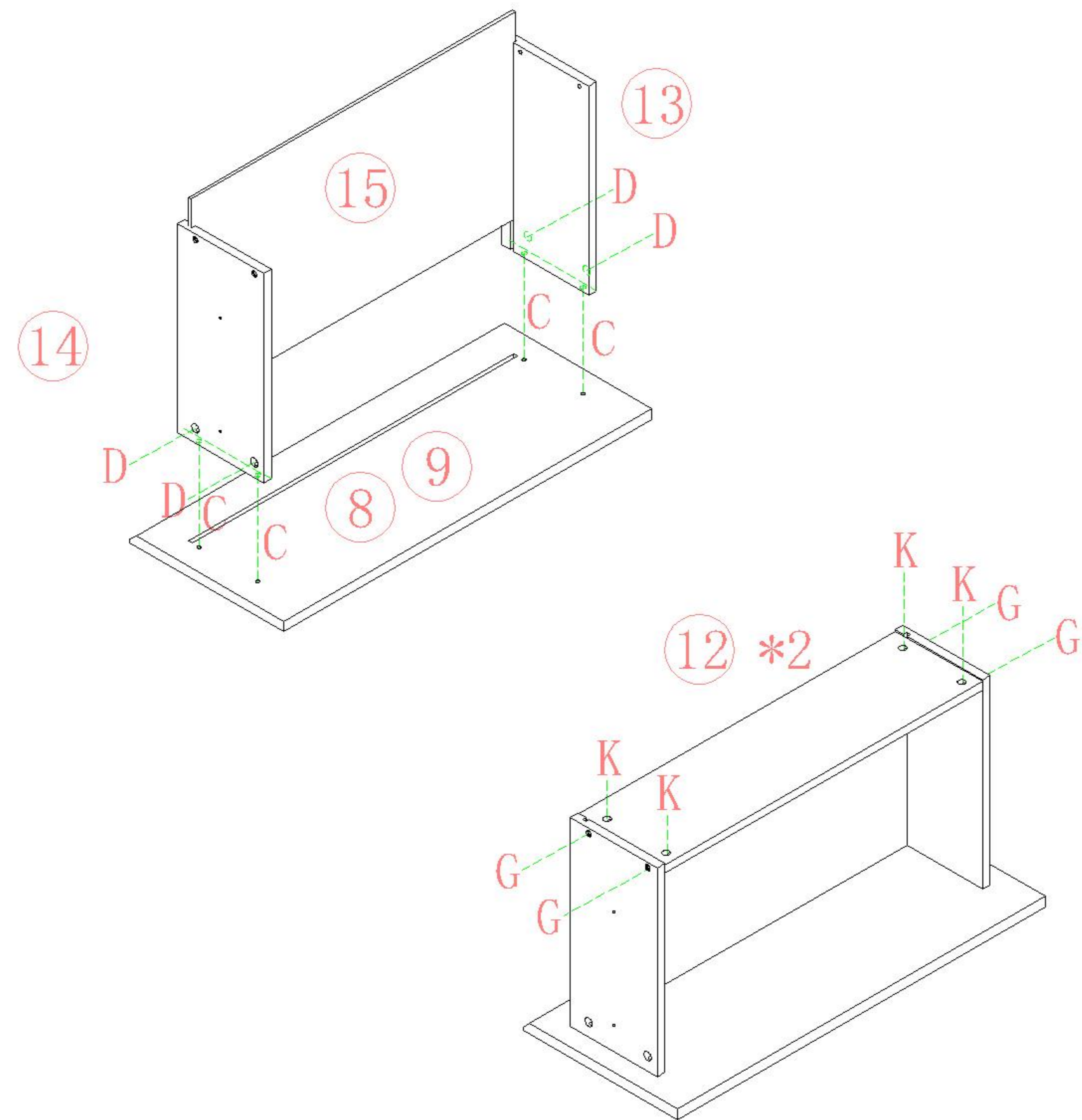
(D)*8



(G)*8



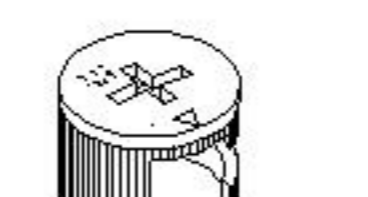
(K)*8



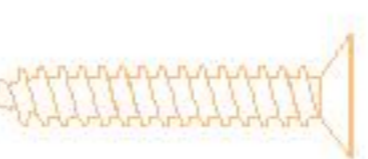
1



(C)*16



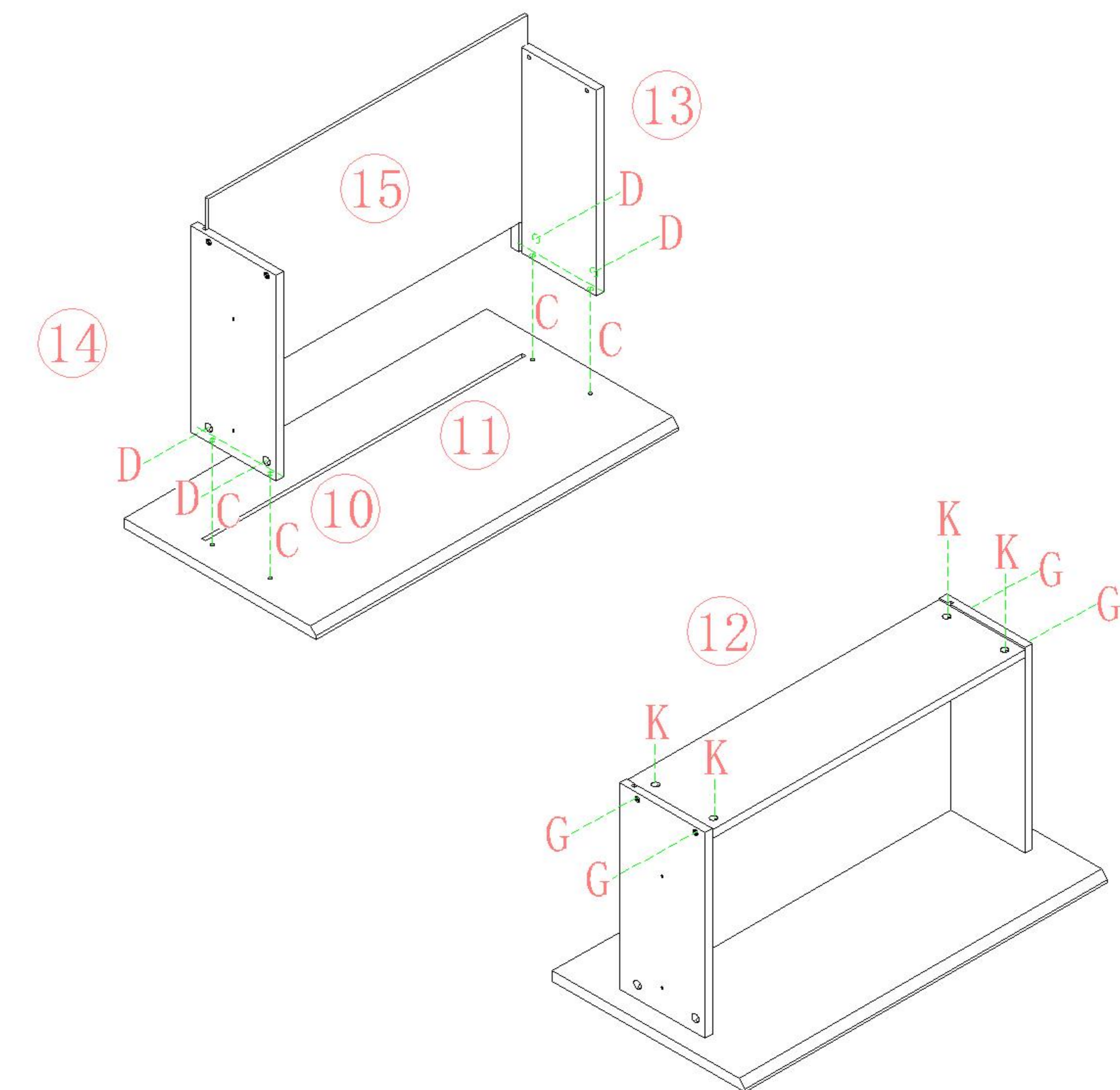
(D)*16



(G)*16



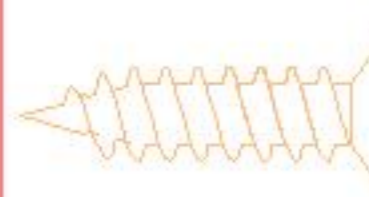
(K)*16



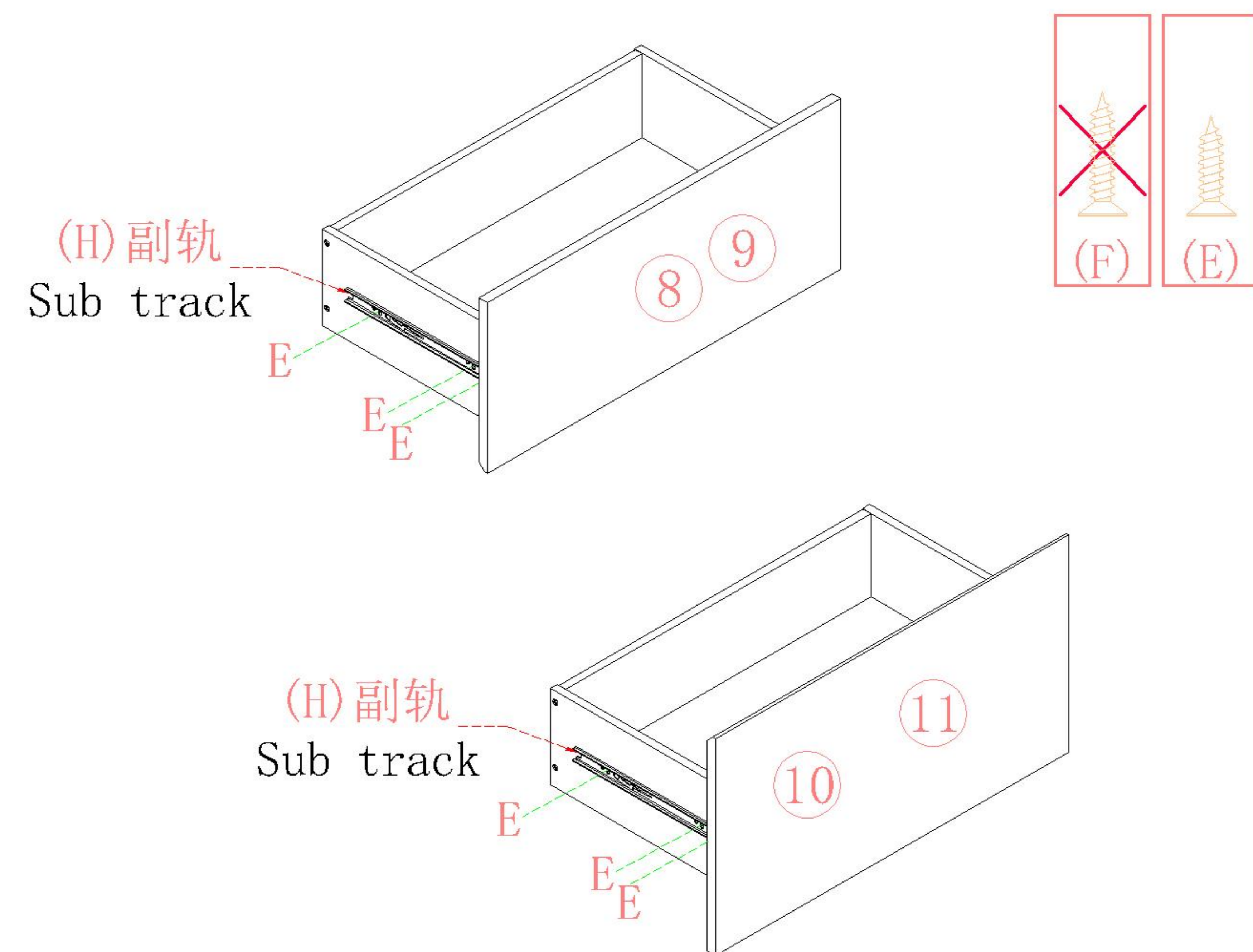
2



(H)*6



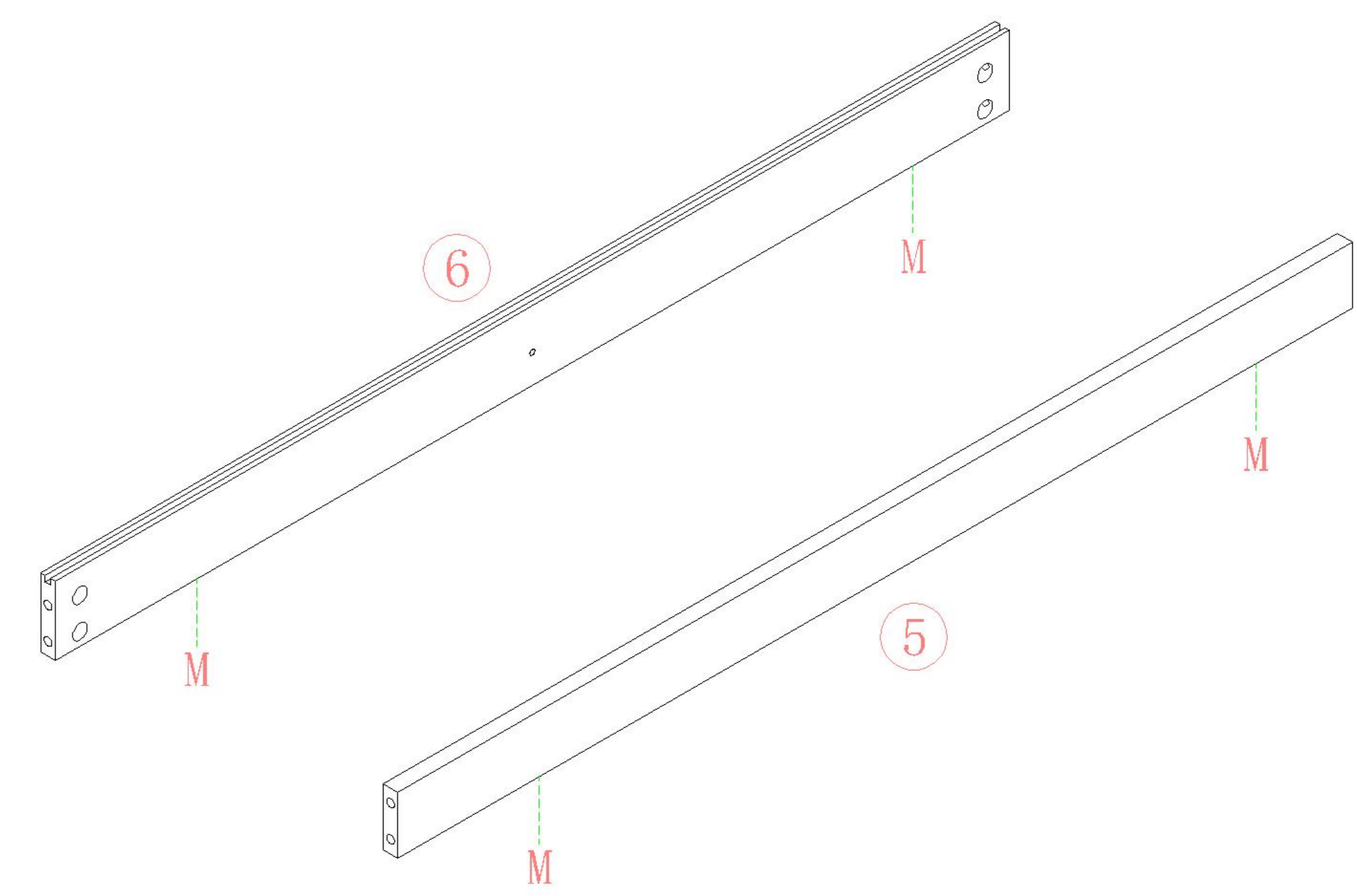
(E)*36



3



(M)*4

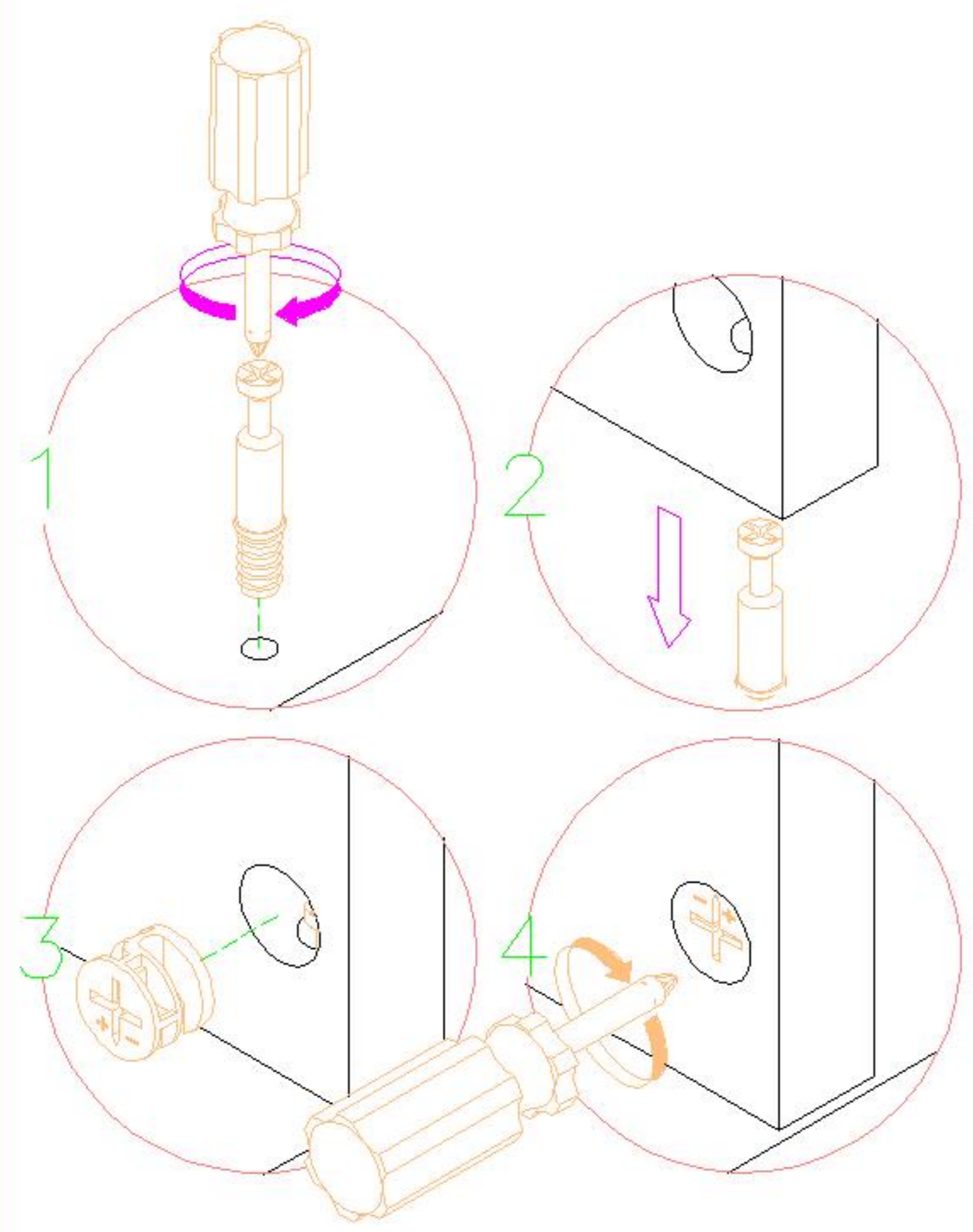


4

OV1E-C

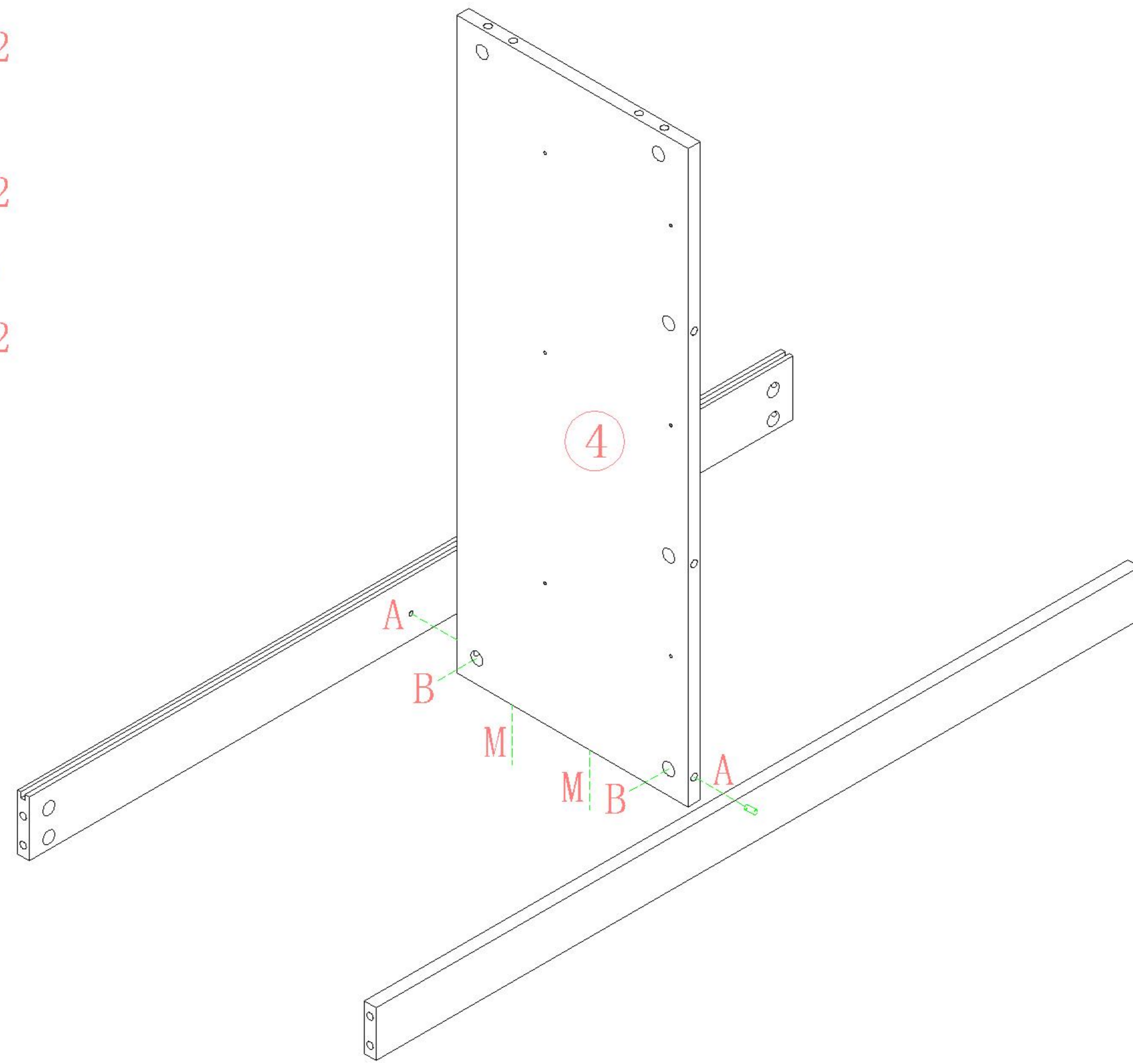
安装方法

Installation method





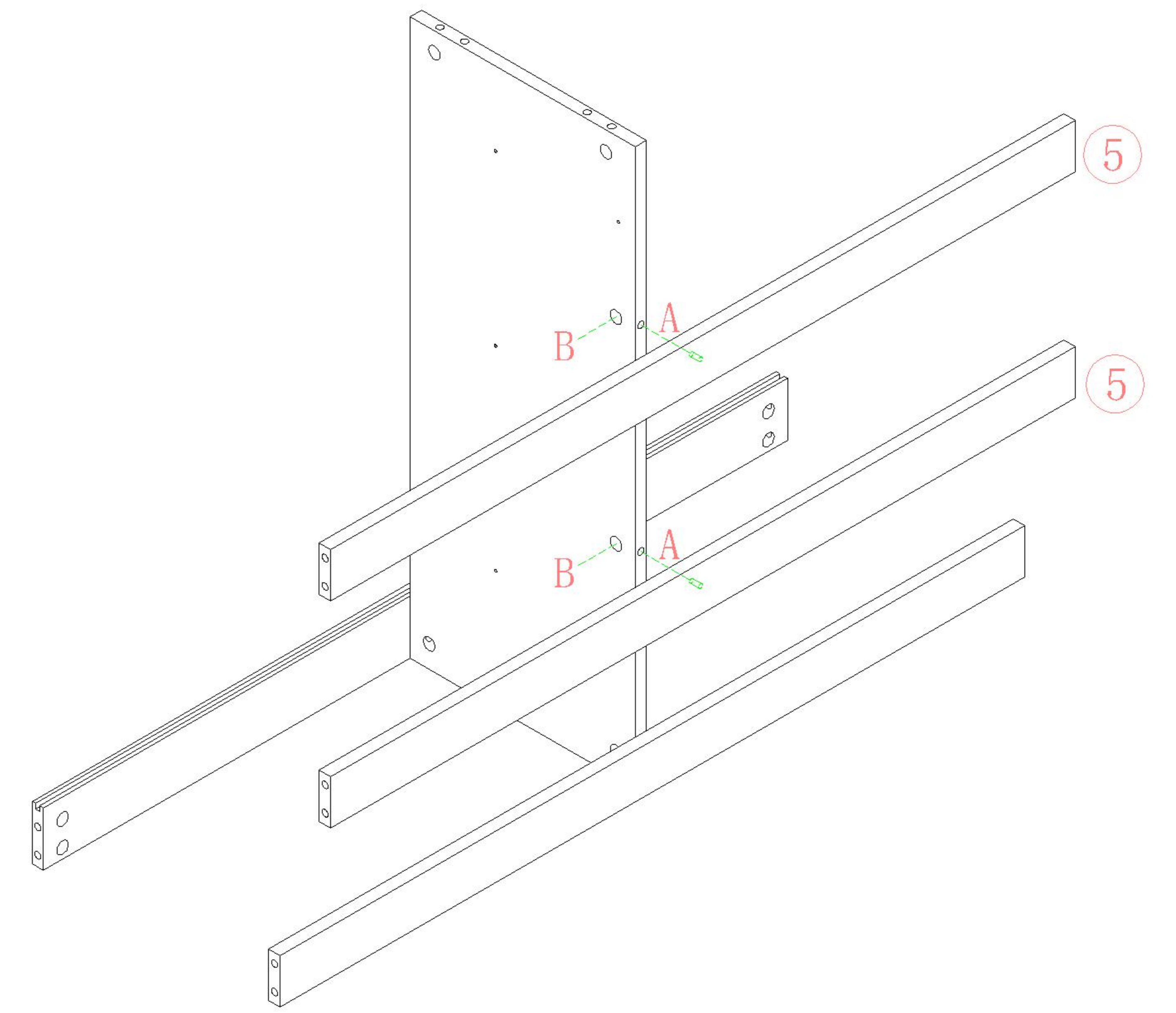
二合一 two-in-one

-  (A)*2
-  (B)*2
-  (M)*2



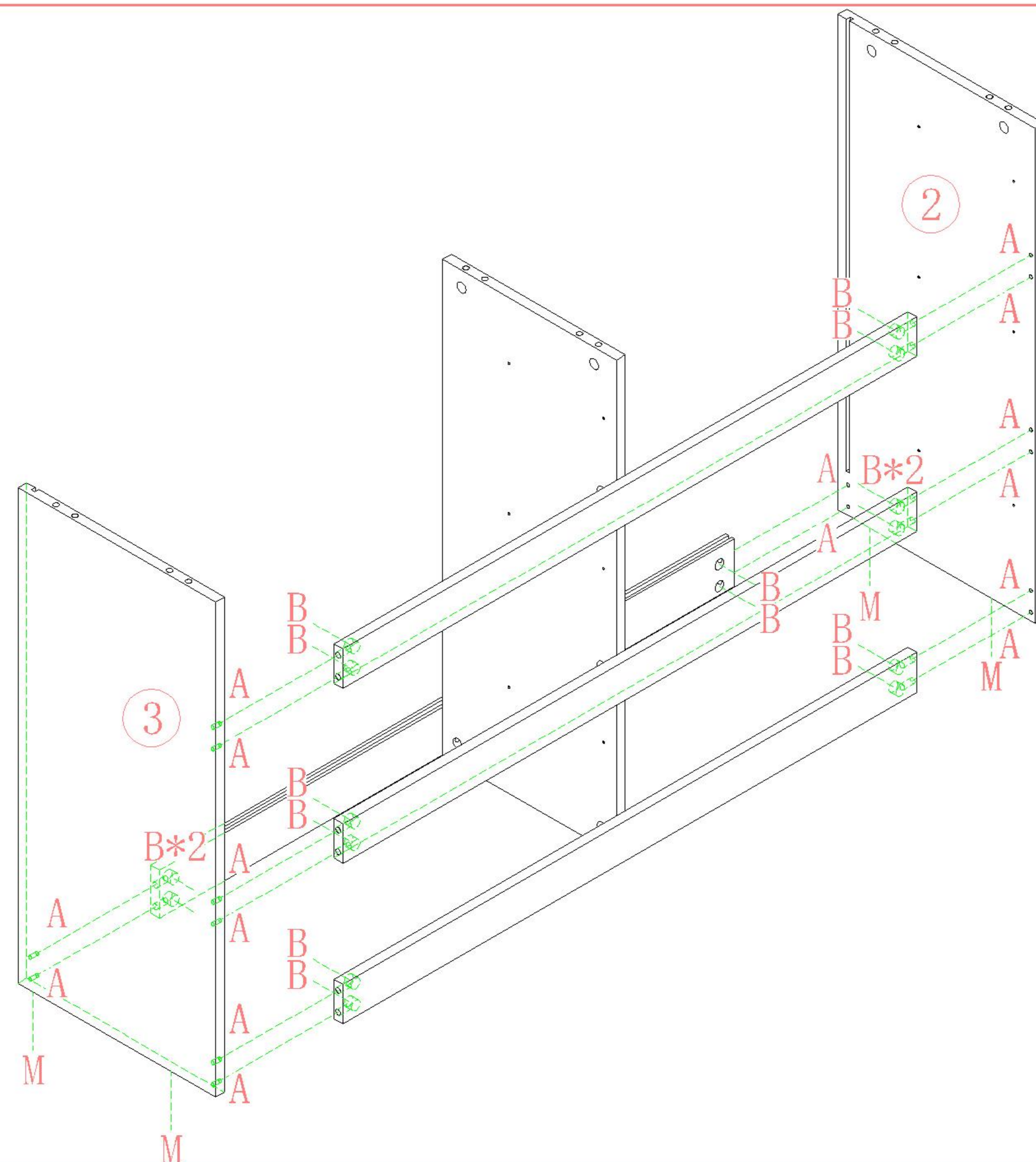
5

-  (A)*2
-  (B)*2




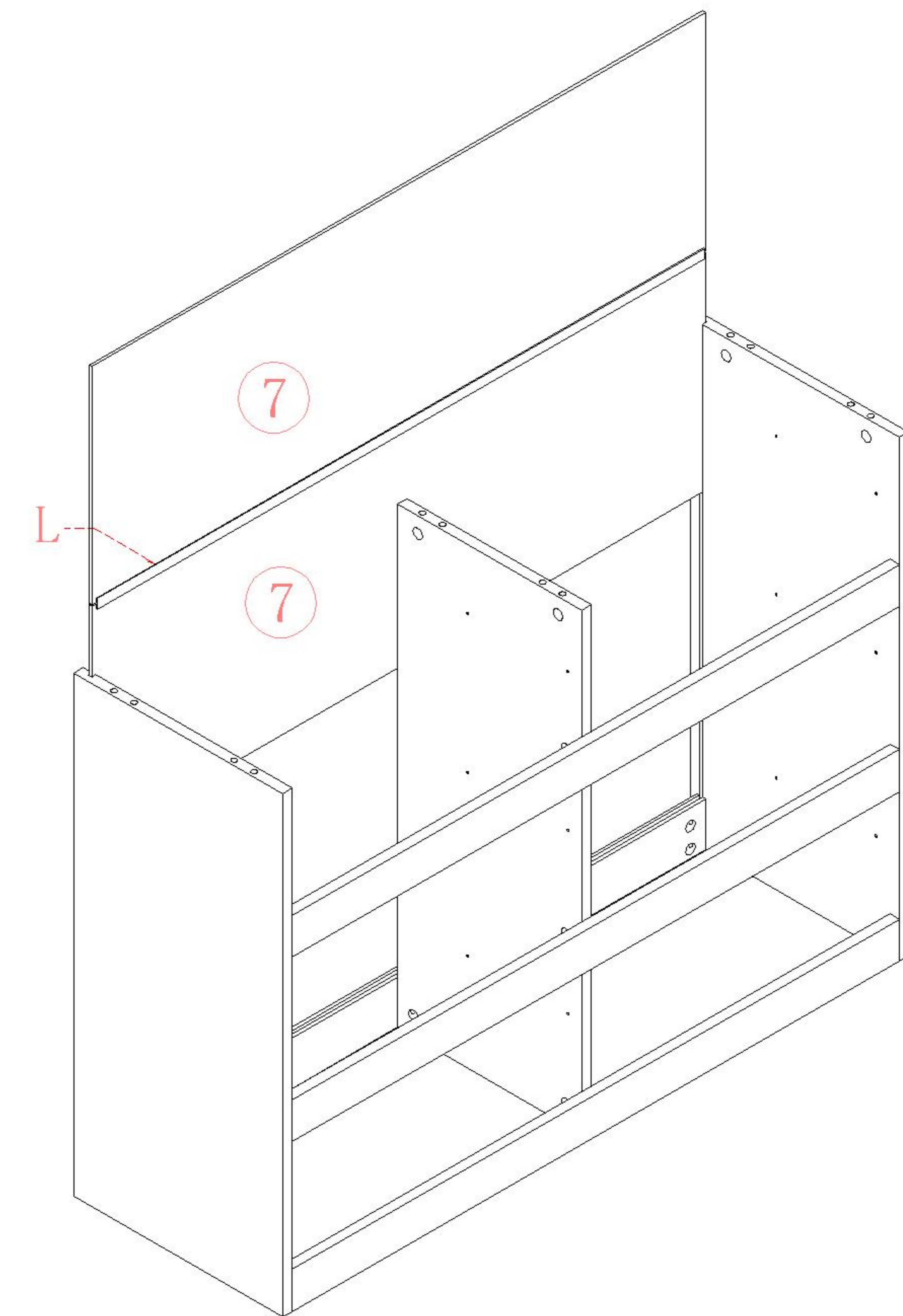
6

-  (A)*16
-  (B)*16
-  (M)*4



7

-  (L)*1

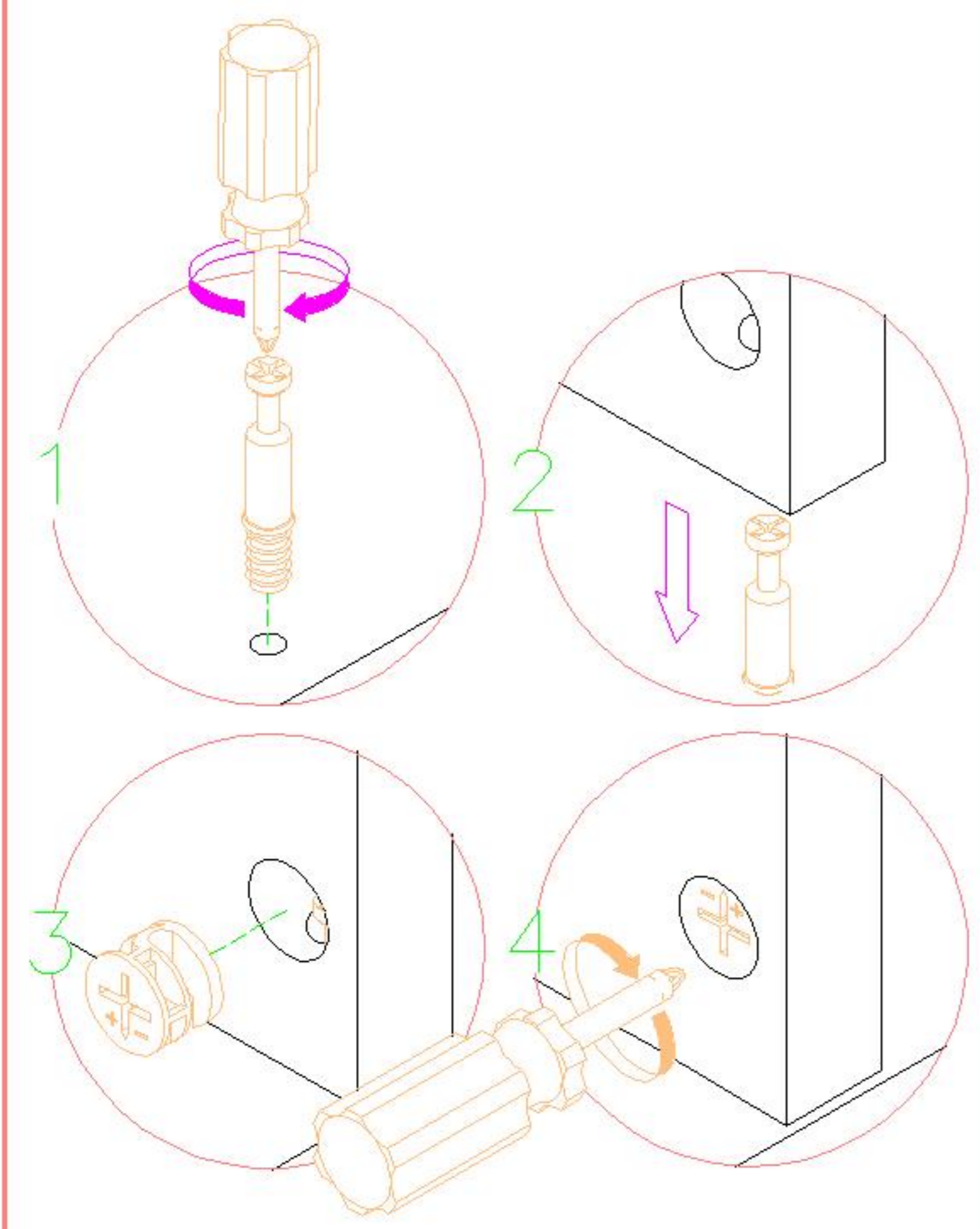


8

OVIE-C

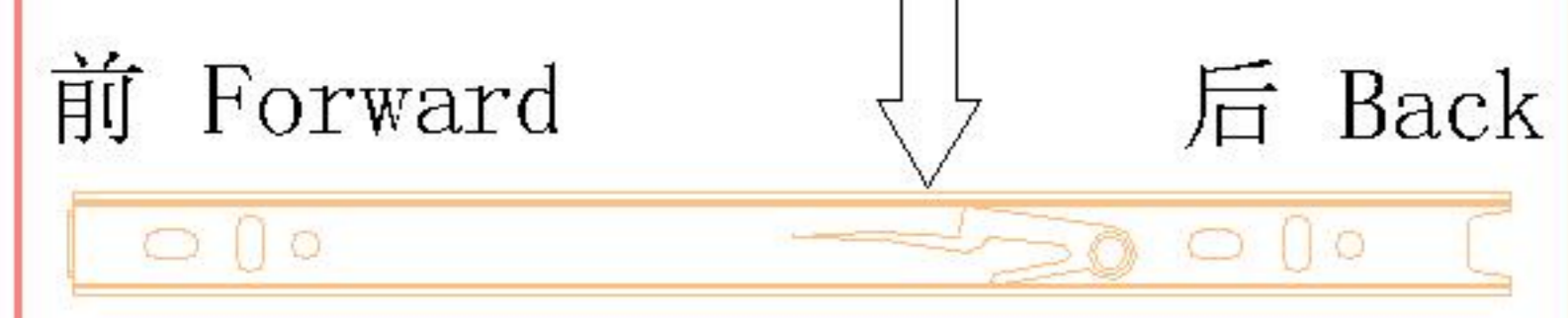
安装方法

Installation method

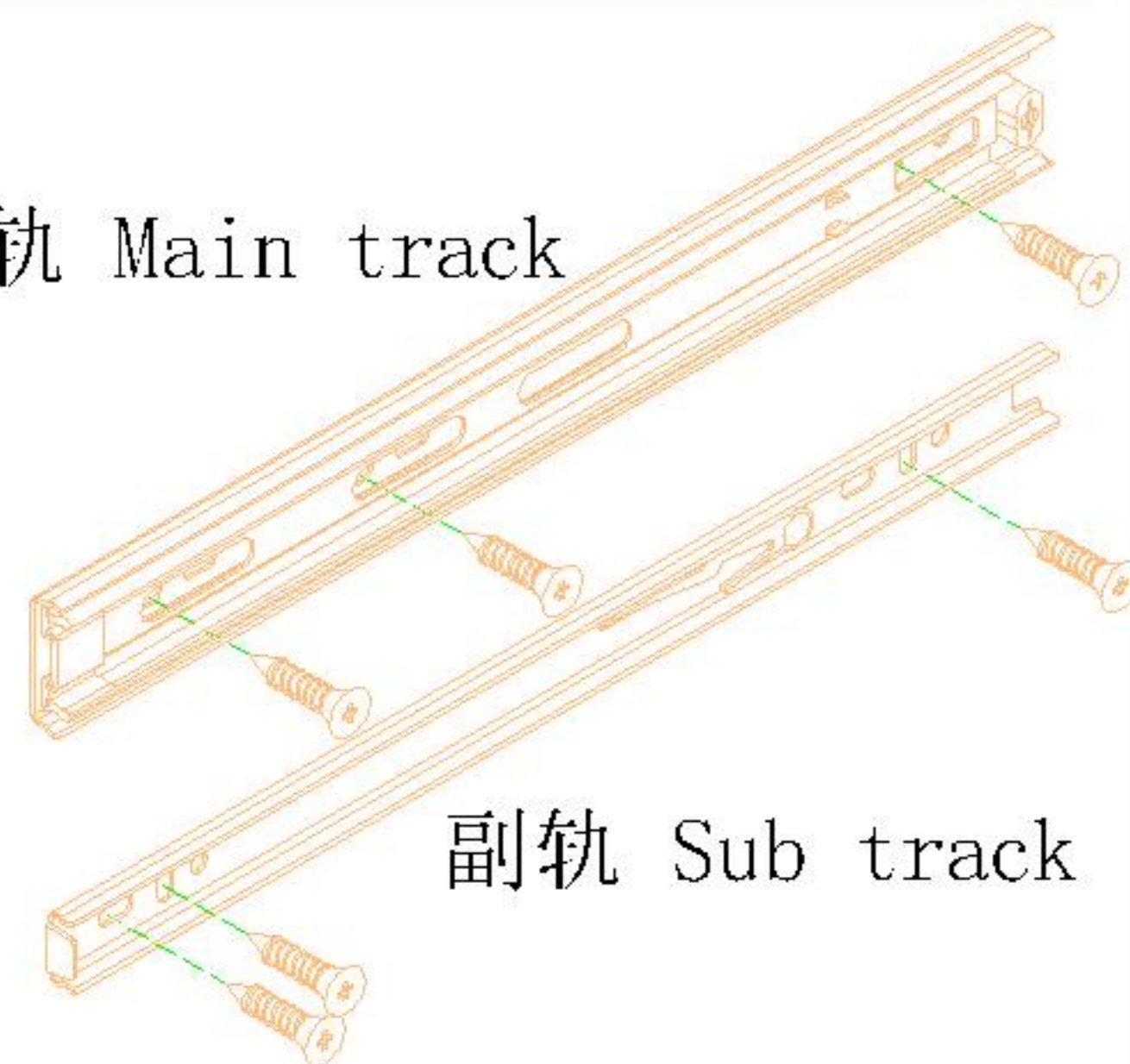


二合一 two-in-one

阀门开关(下压为开)
Valve switch (press down to open)

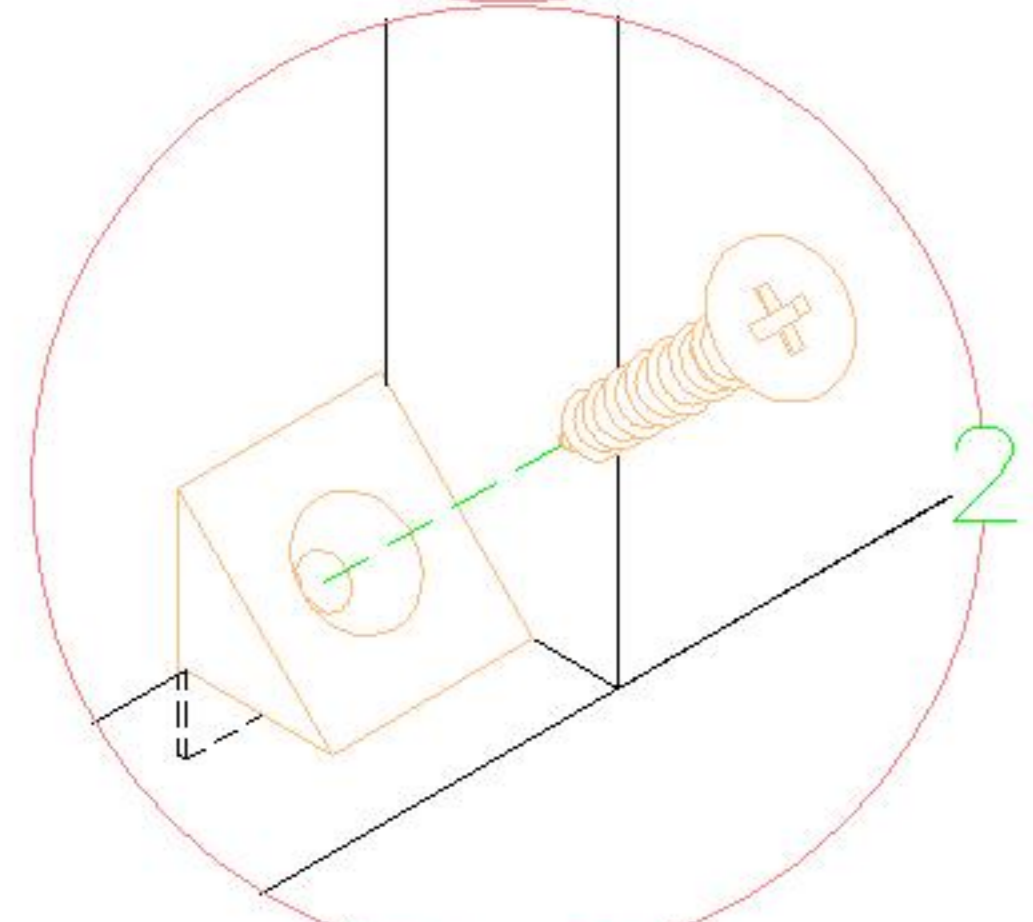
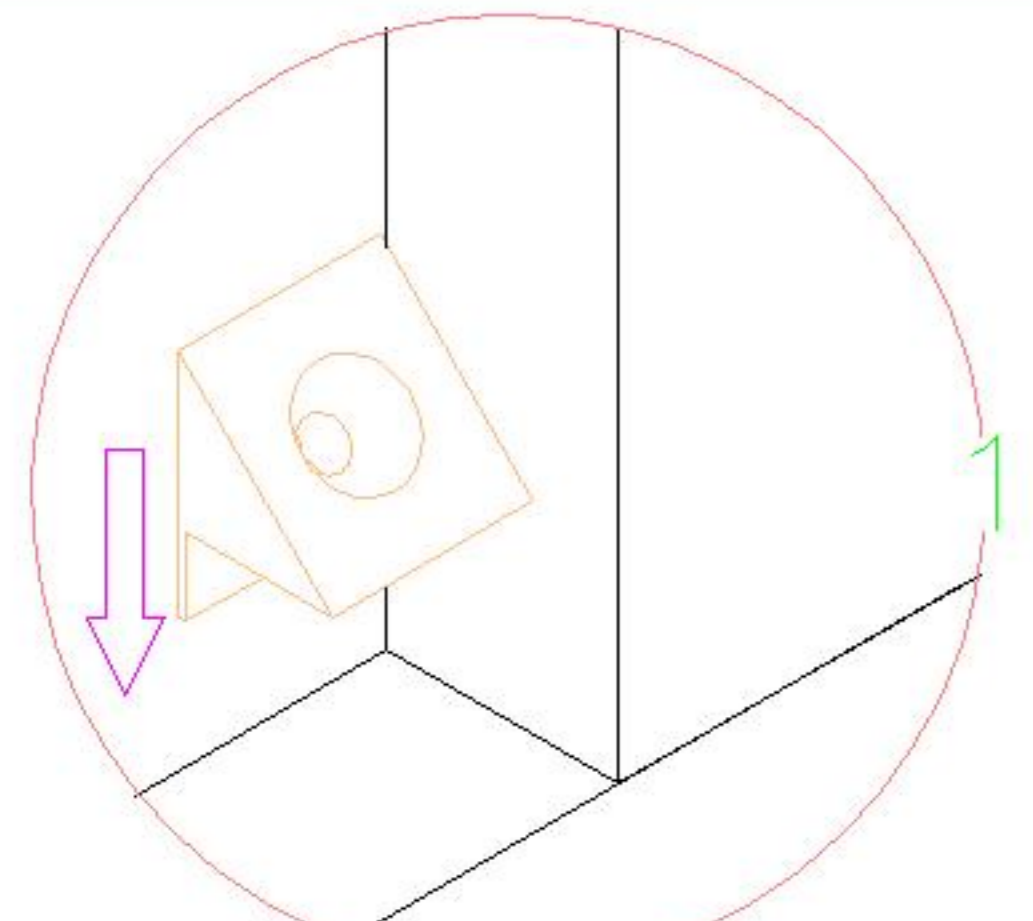


主轨 Main track



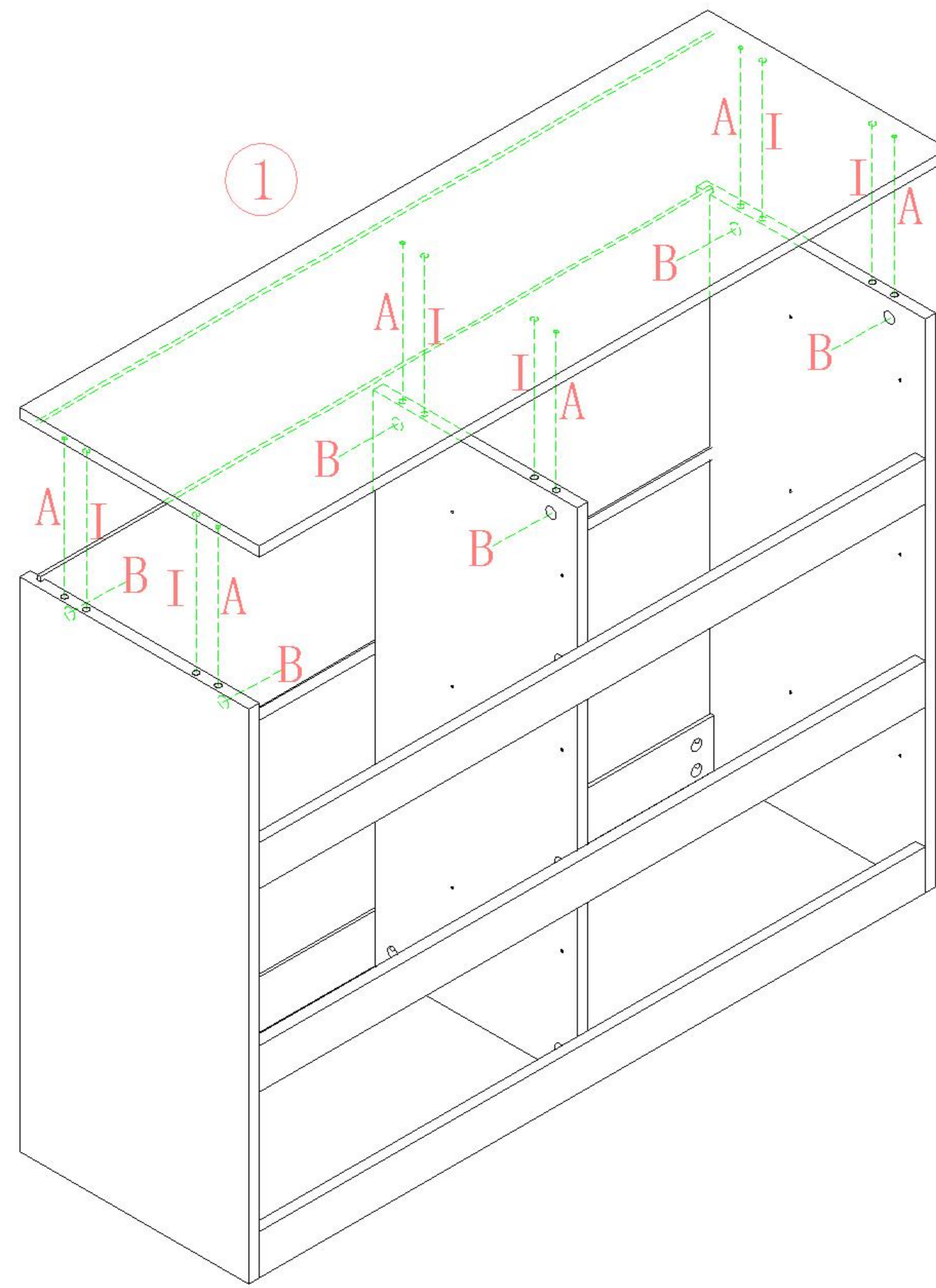
副轨 Sub track

三节滚珠导轨-10"
Three-section rail



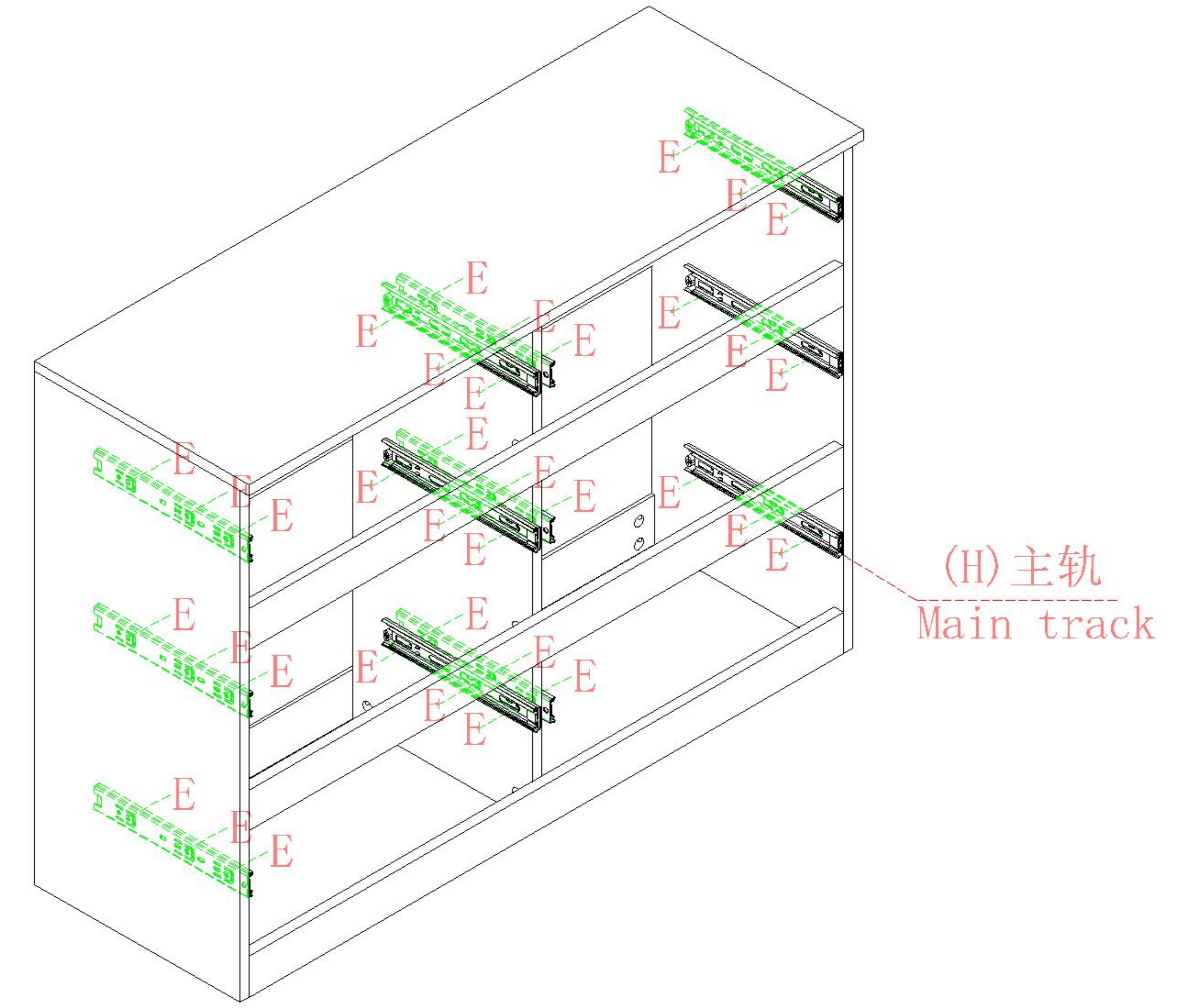
背板扣
Back Plate Buckle

- (A)*6
- (B)*6
- (I)*6

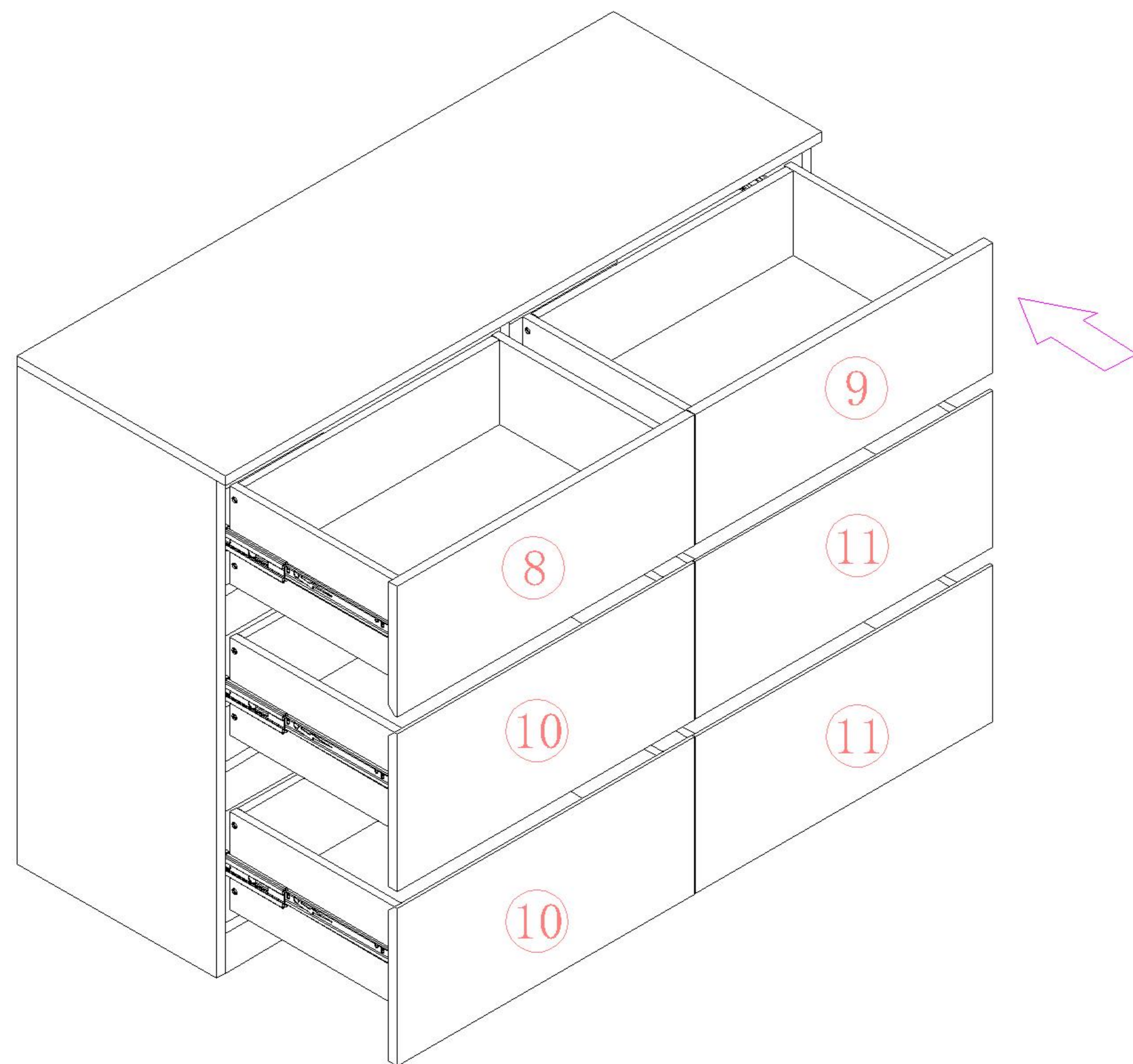


9

- (H)*6
- (E)*36

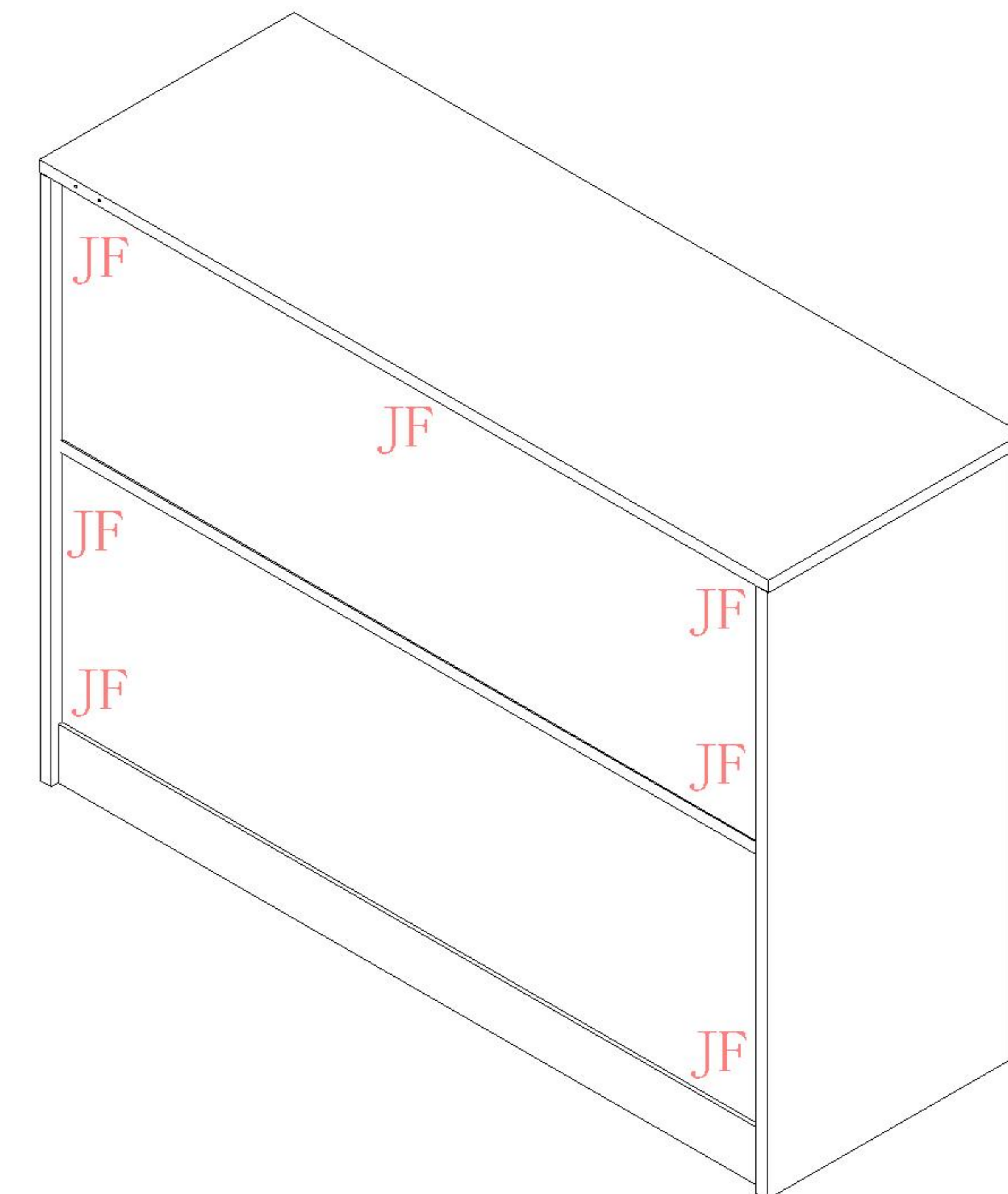


10

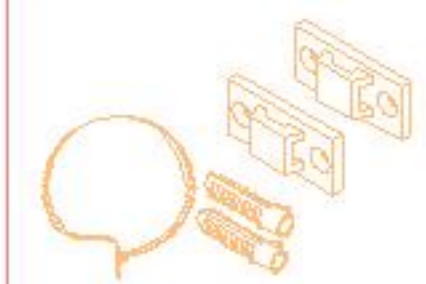


11

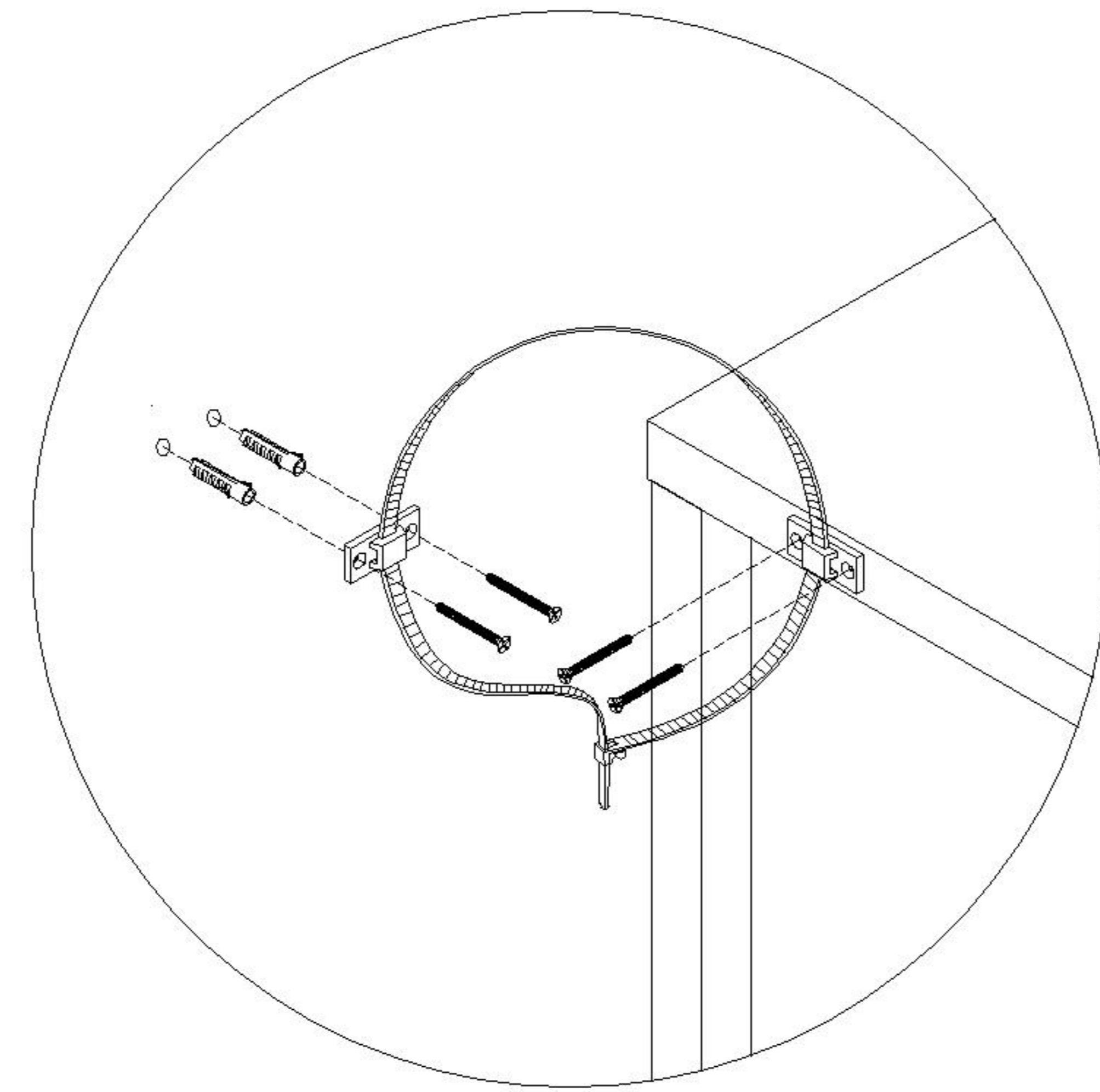
- (J)*7
- (F)*7



12



(N)*1



N放大图
Enlarged drawing

实体墙
Solid wall

