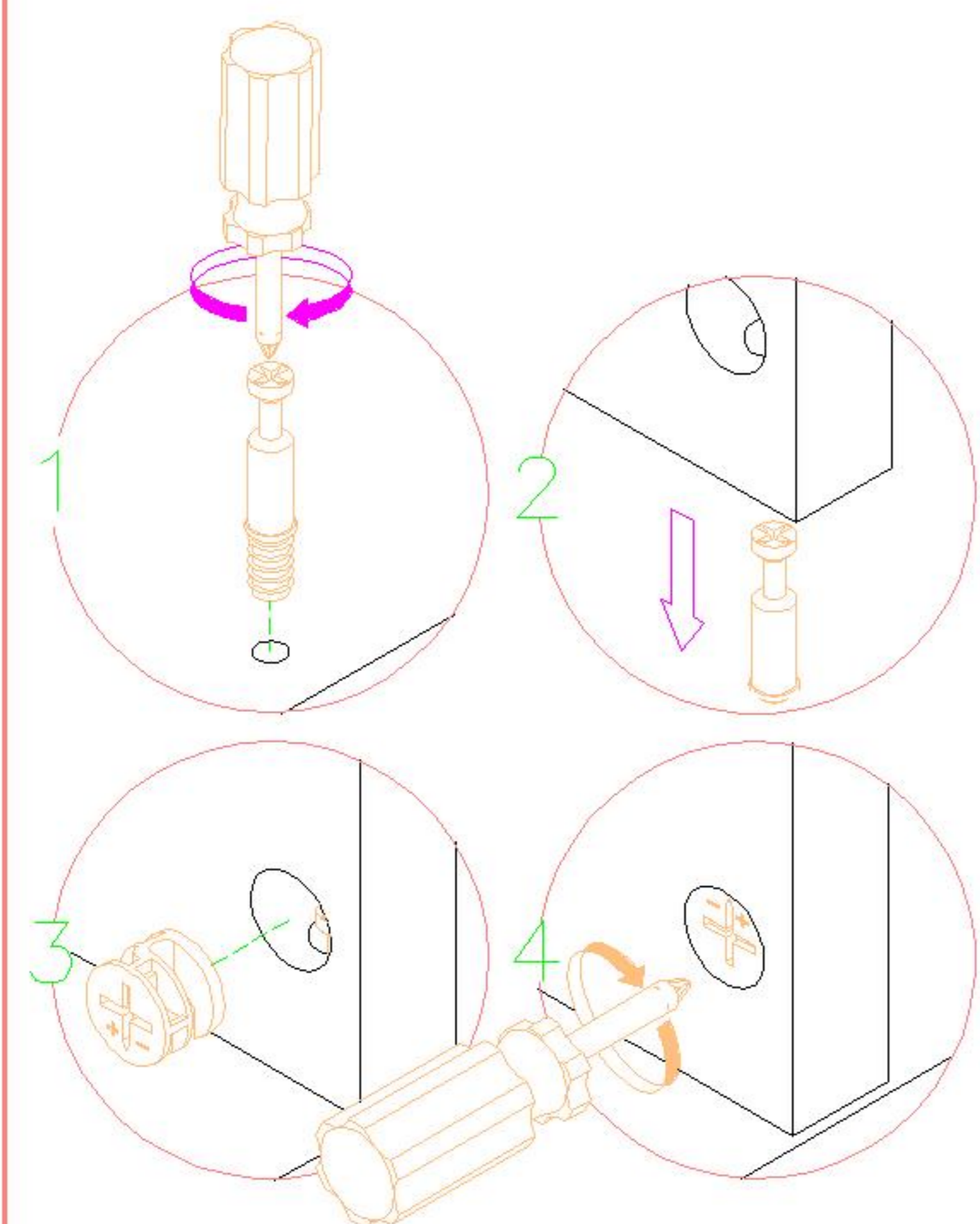


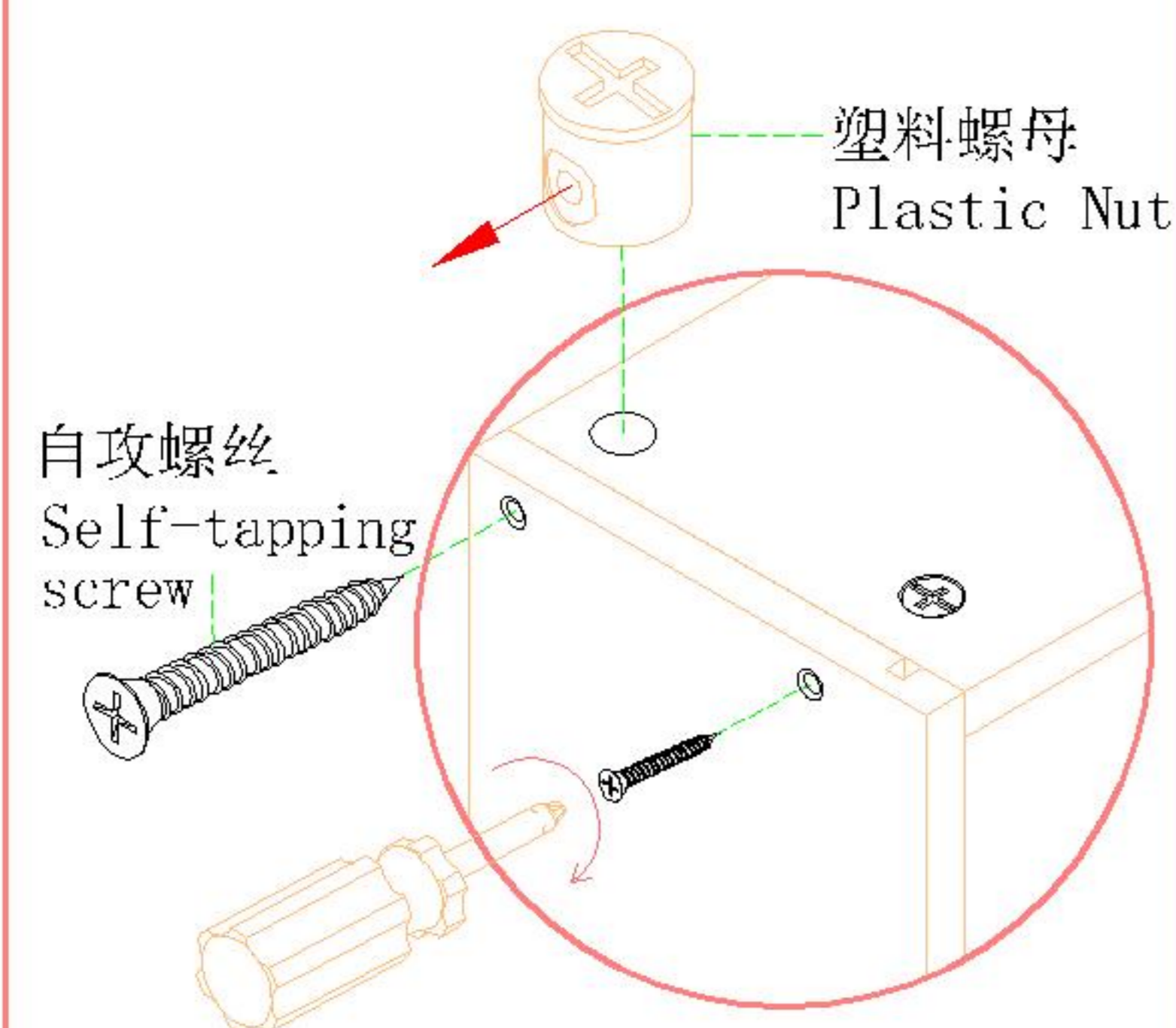


# 安装方法

## Installation method

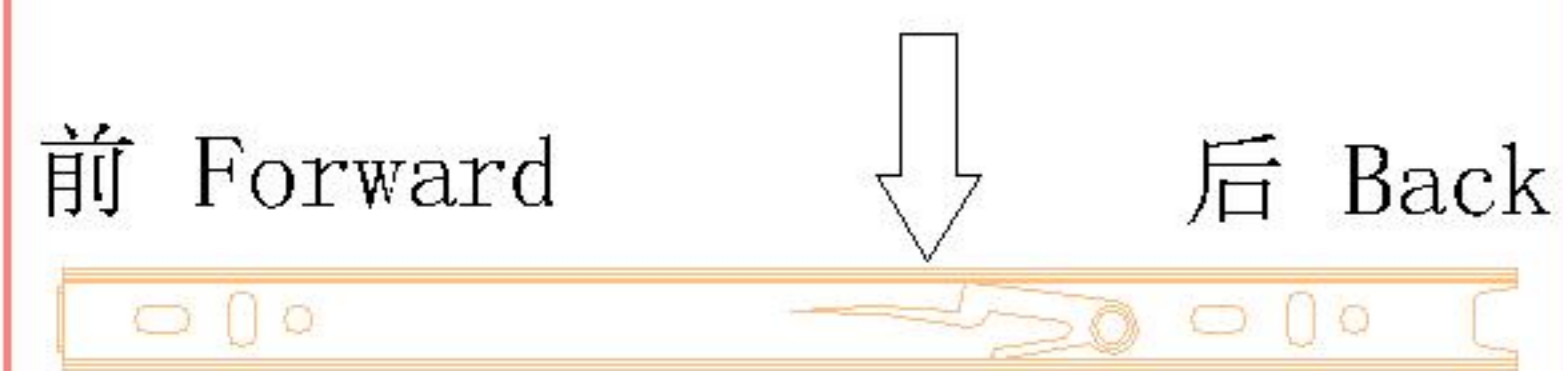


二合一 two-in-one



塑料螺母 Plastic Nut

阀门开关(下压为开)  
Valve switch (press down to open)



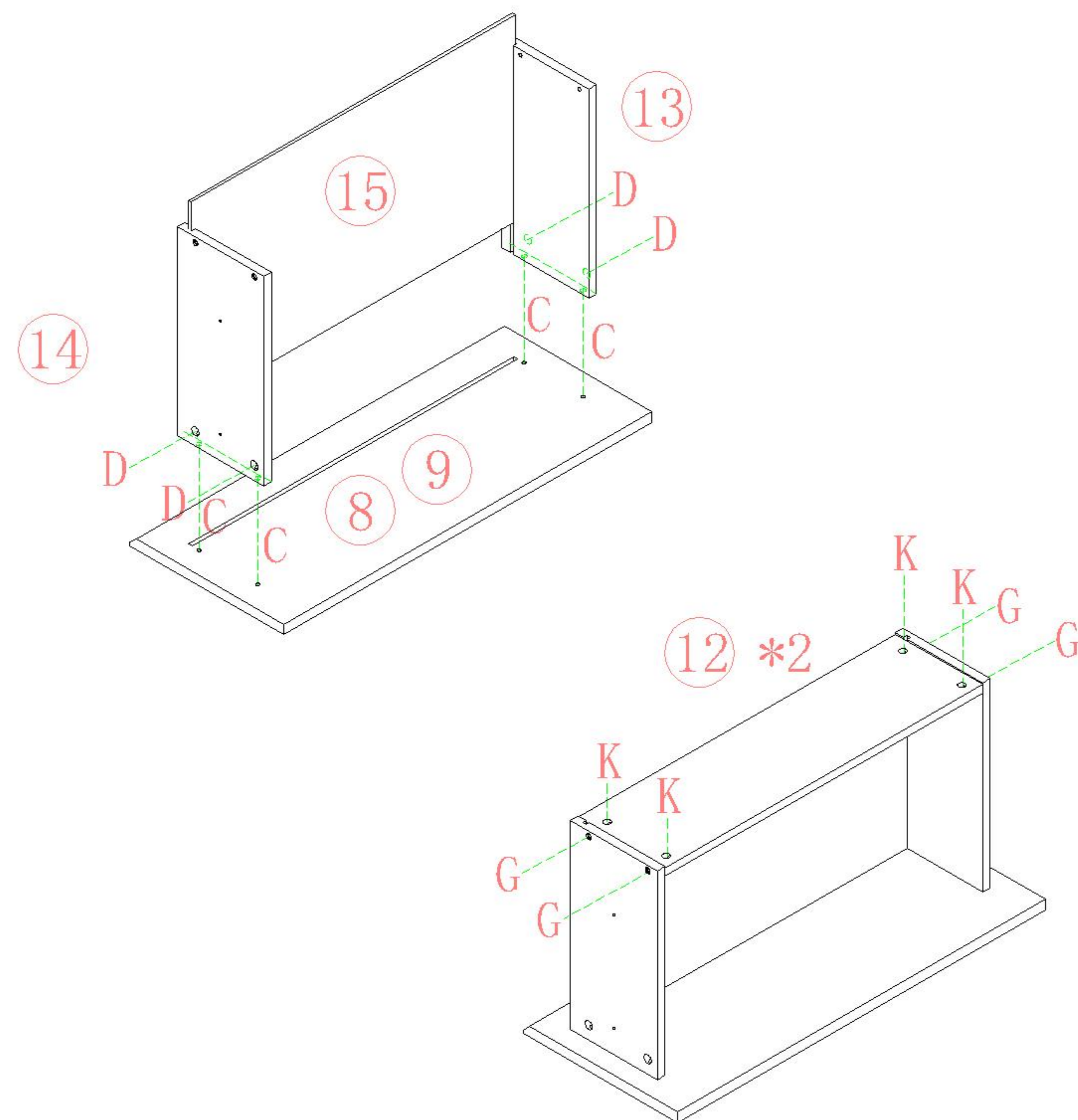
主轨 Main track



副轨 Sub track

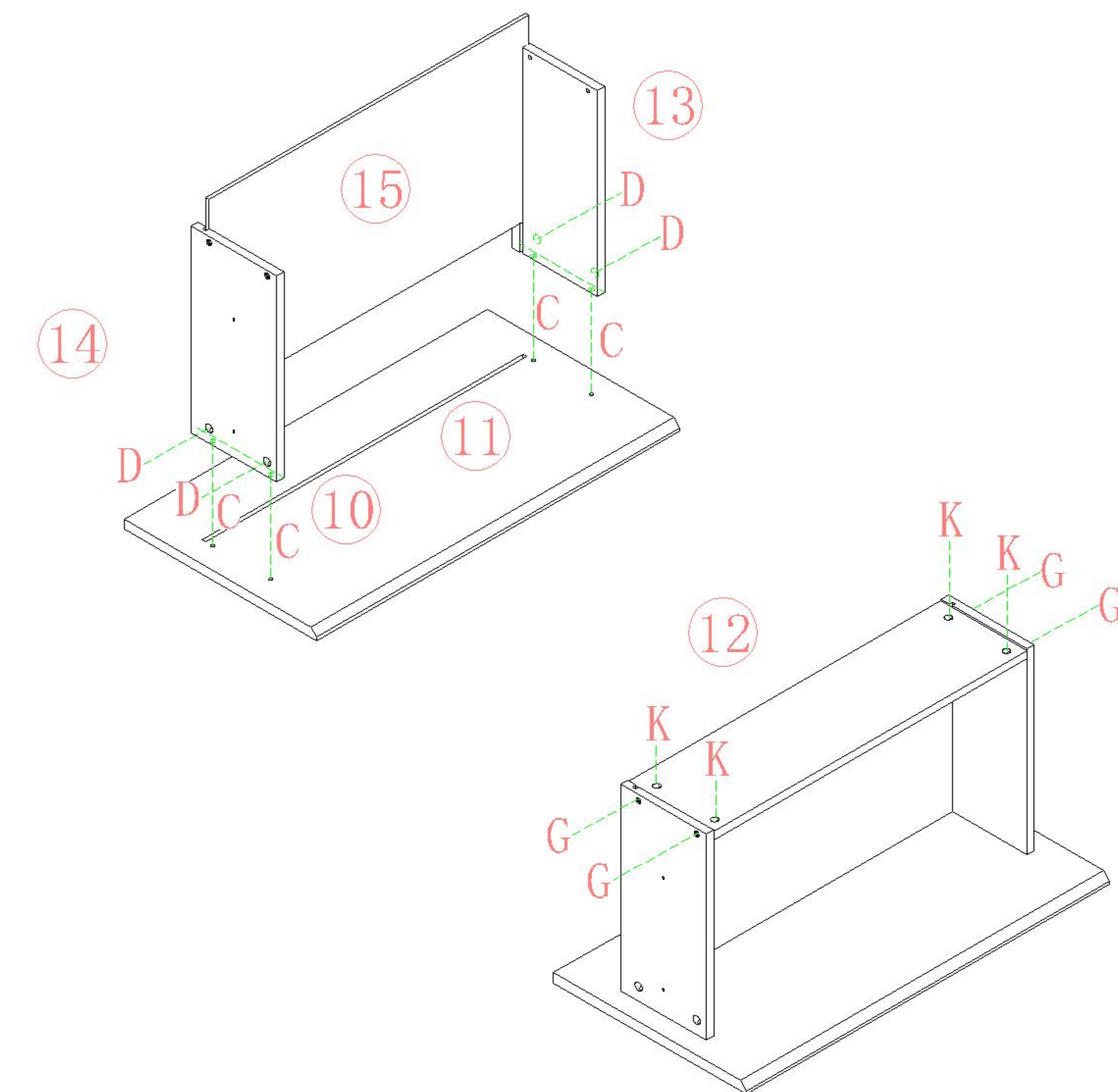
三节滚珠导轨-10"  
Three-section rail

- (C)\*8
- (D)\*8
- (G)\*8
- (K)\*8



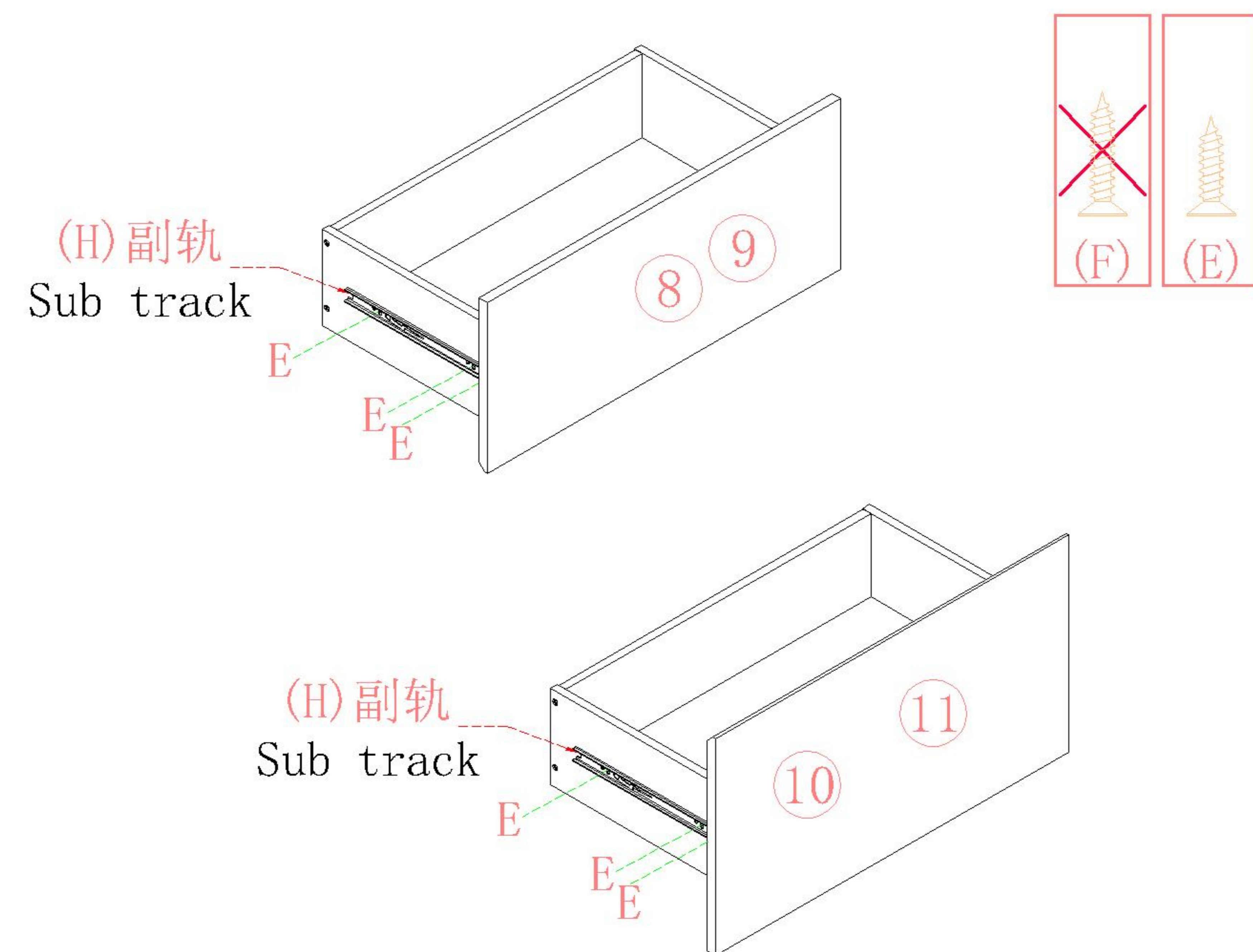
1

- (C)\*16
- (D)\*16
- (G)\*16
- (K)\*16



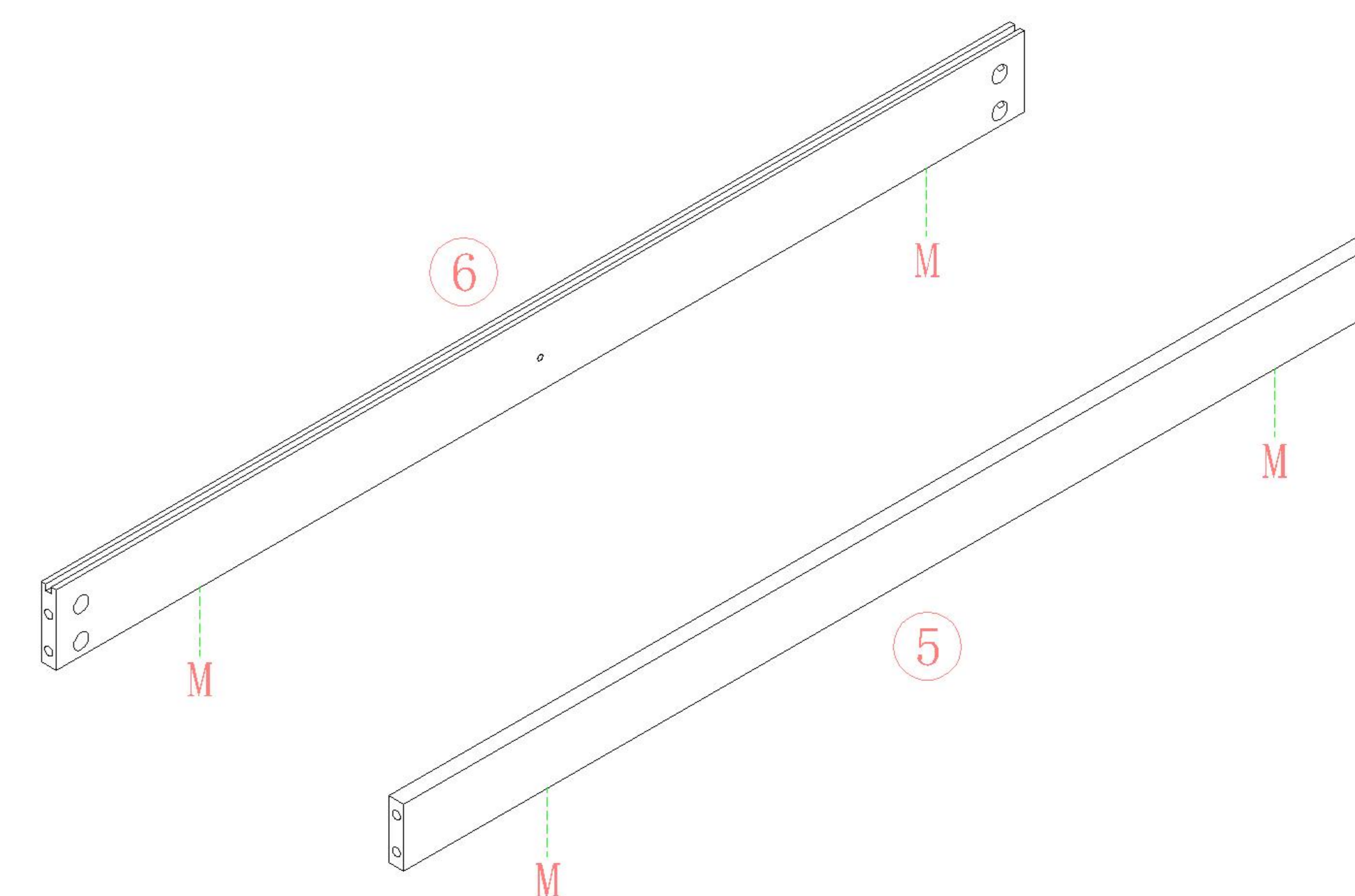
2

- (H)\*6
- (E)\*36



3

- (M)\*4

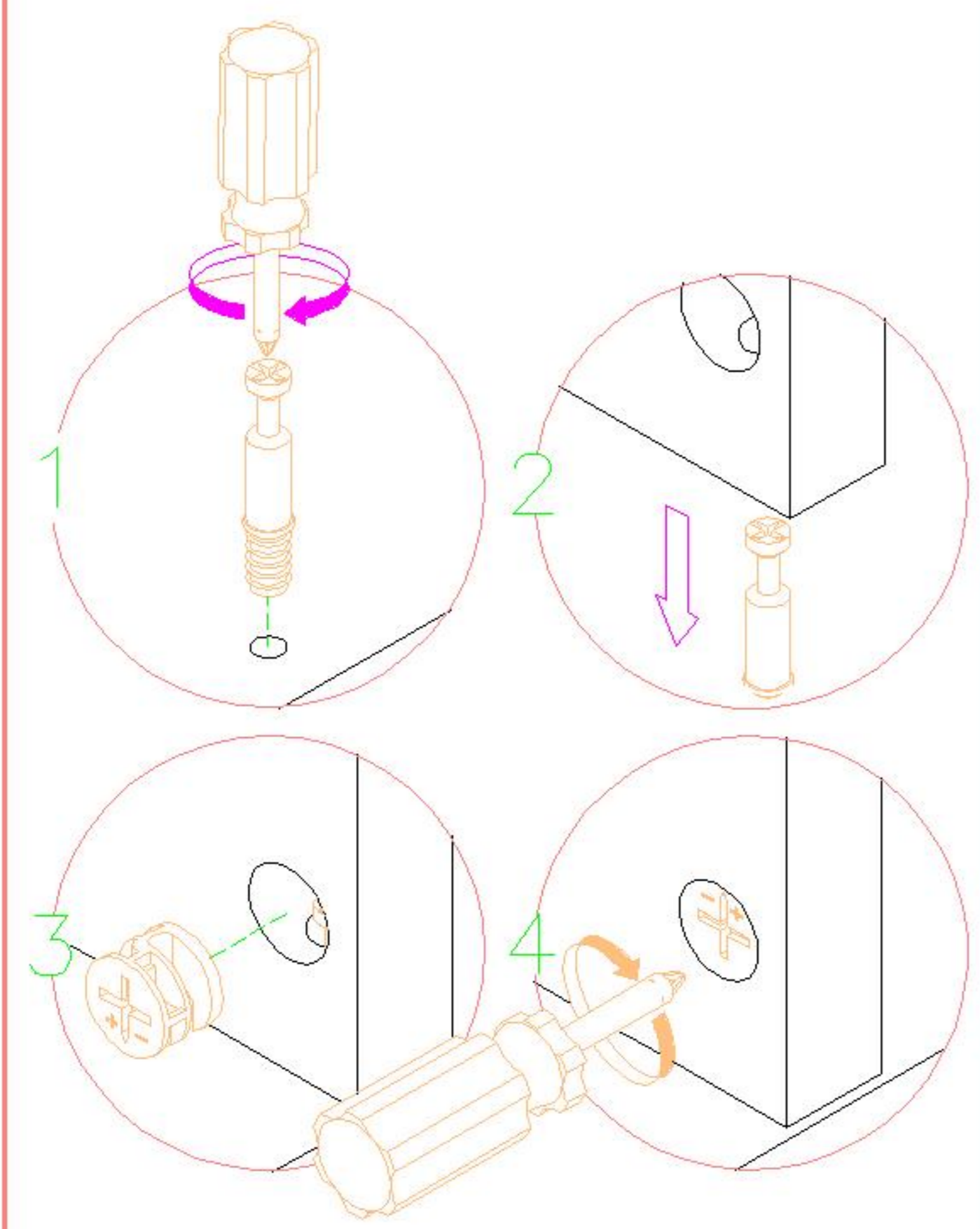


4

OV1E-A

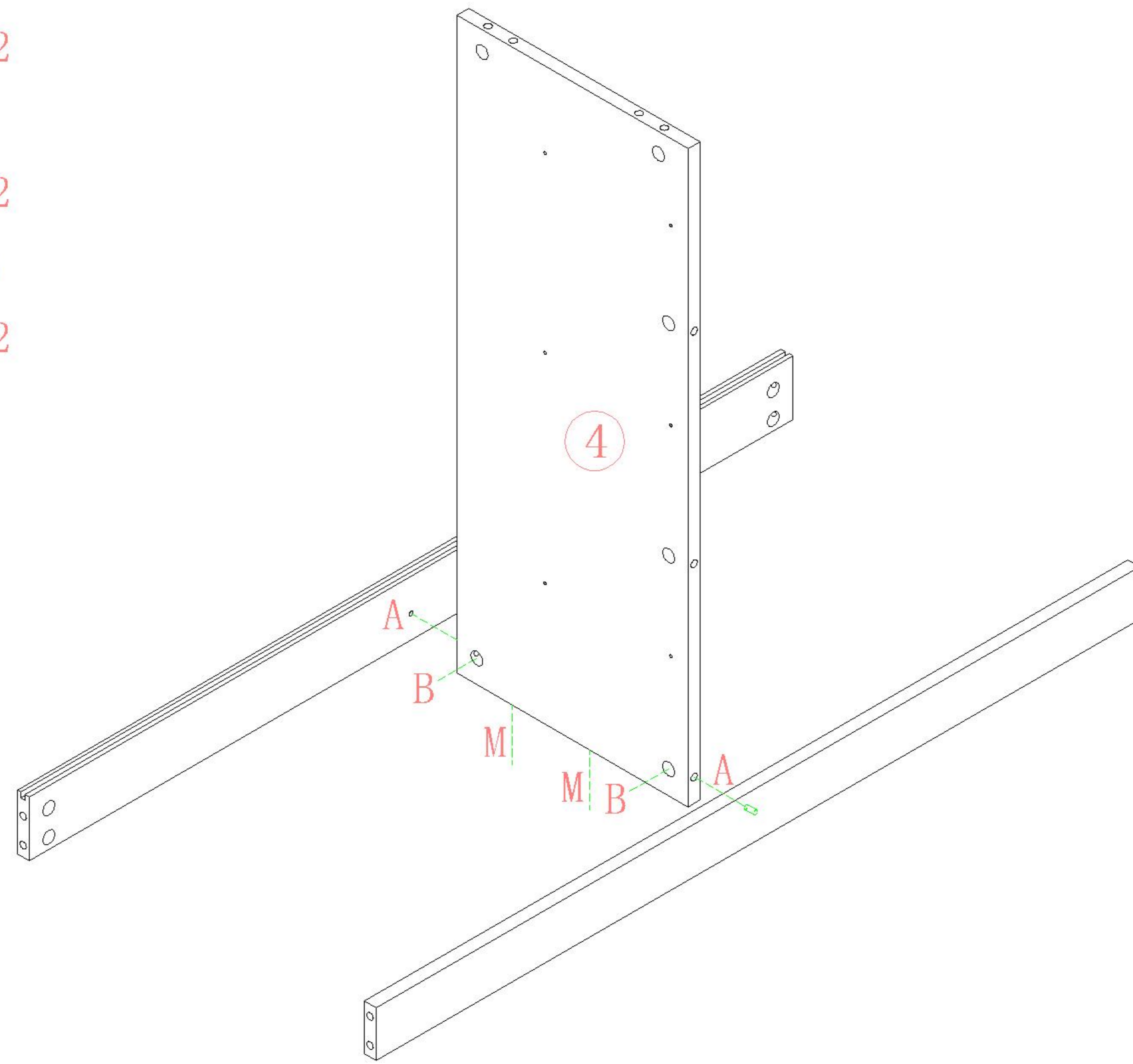
# 安装方法

## Installation method




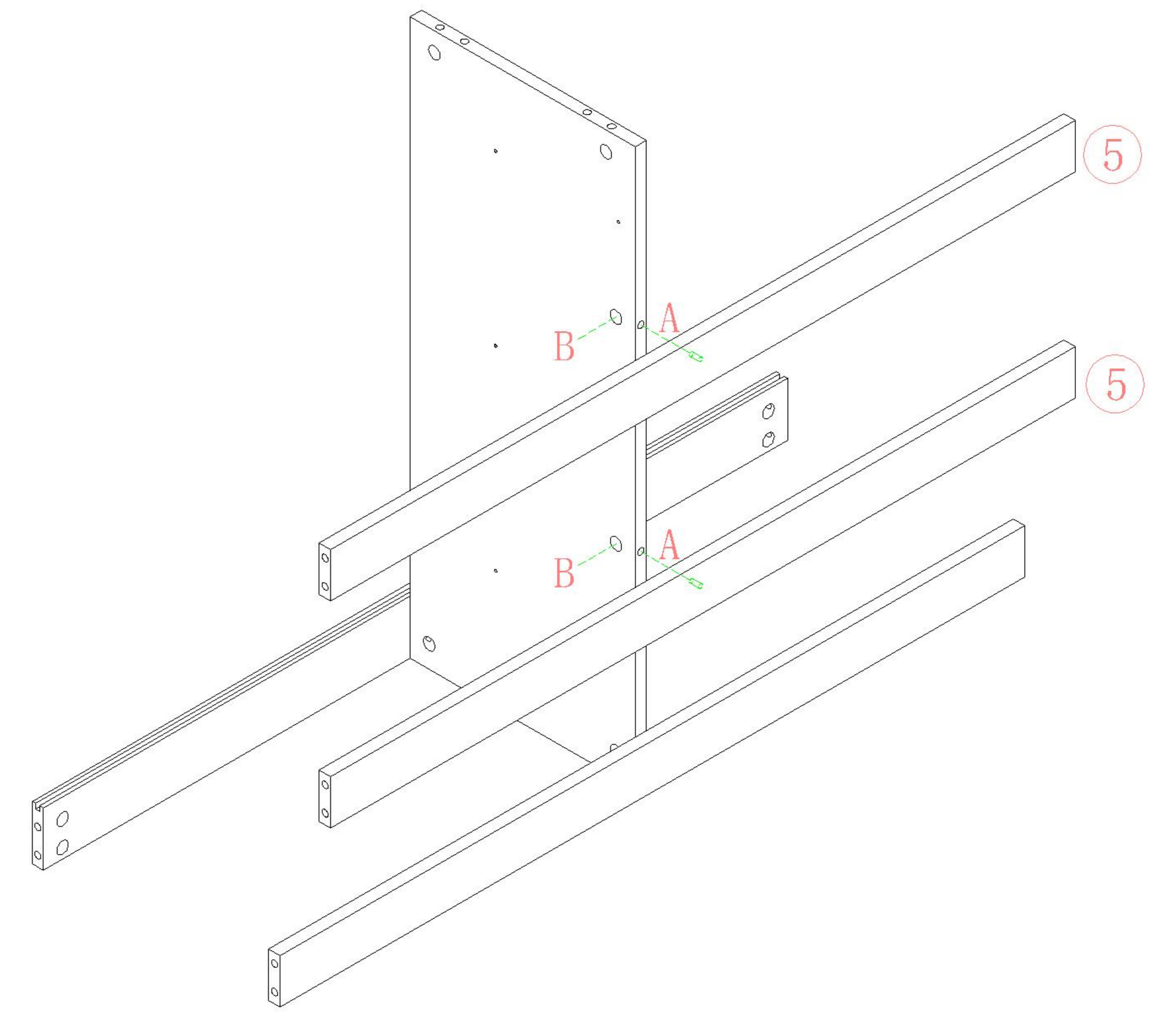
二合一 two-in-one

-  (A)\*2
-  (B)\*2
-  (M)\*2


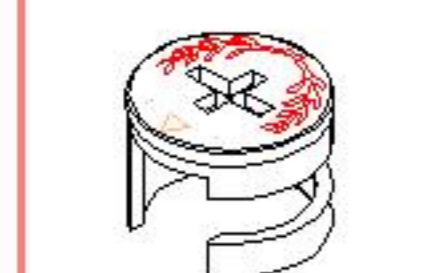



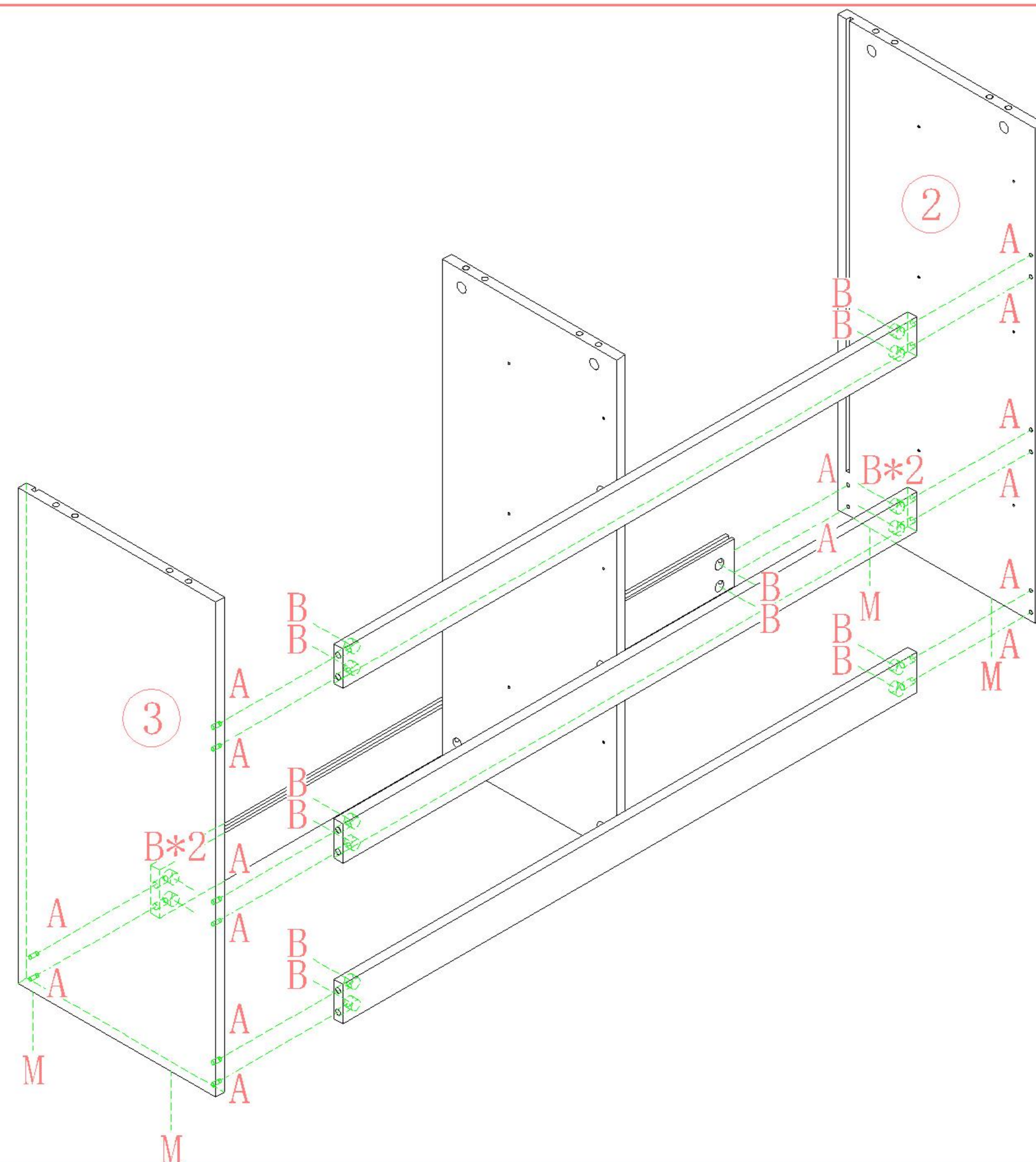
5

-  (A)\*2
-  (B)\*2




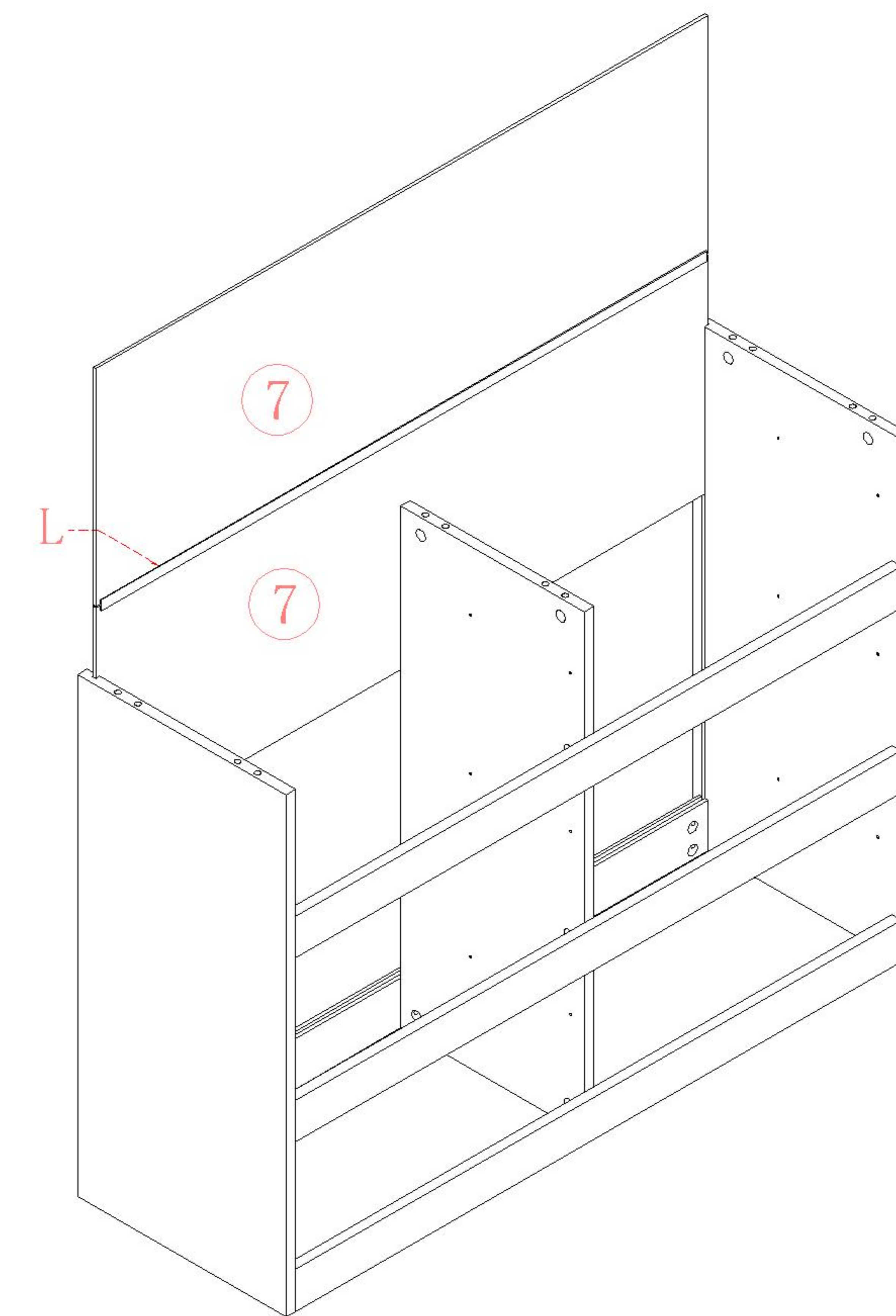
6

-  (A)\*16
-  (B)\*16
-  (M)\*4



7

-  (L)\*1

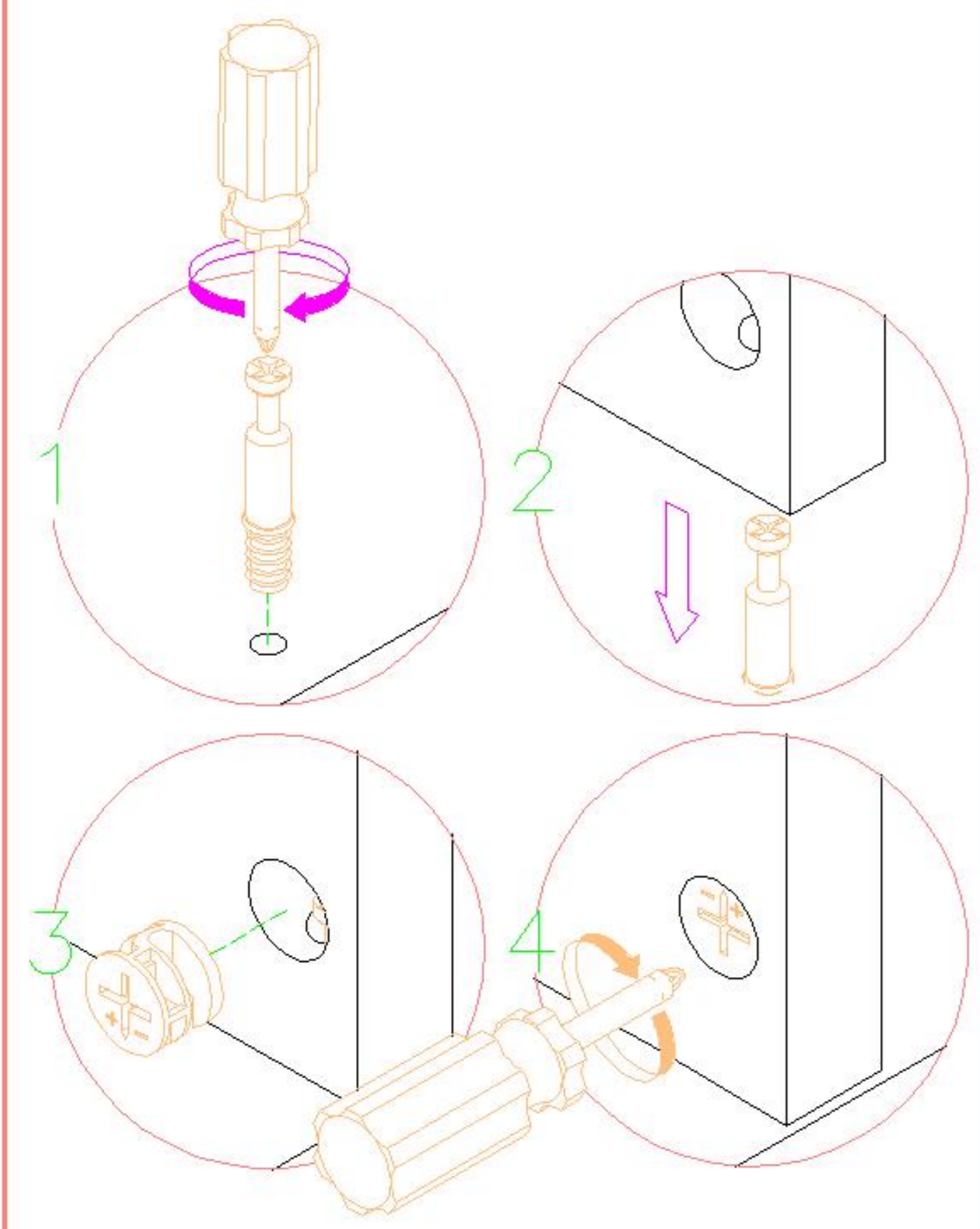


8

OV1E-A

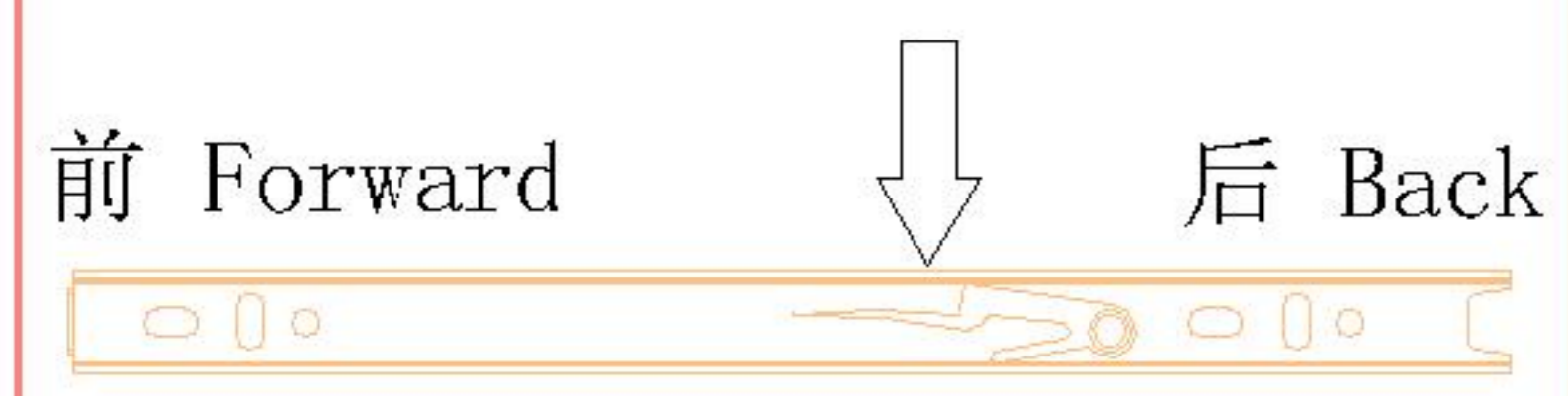
# 安装方法

## Installation method

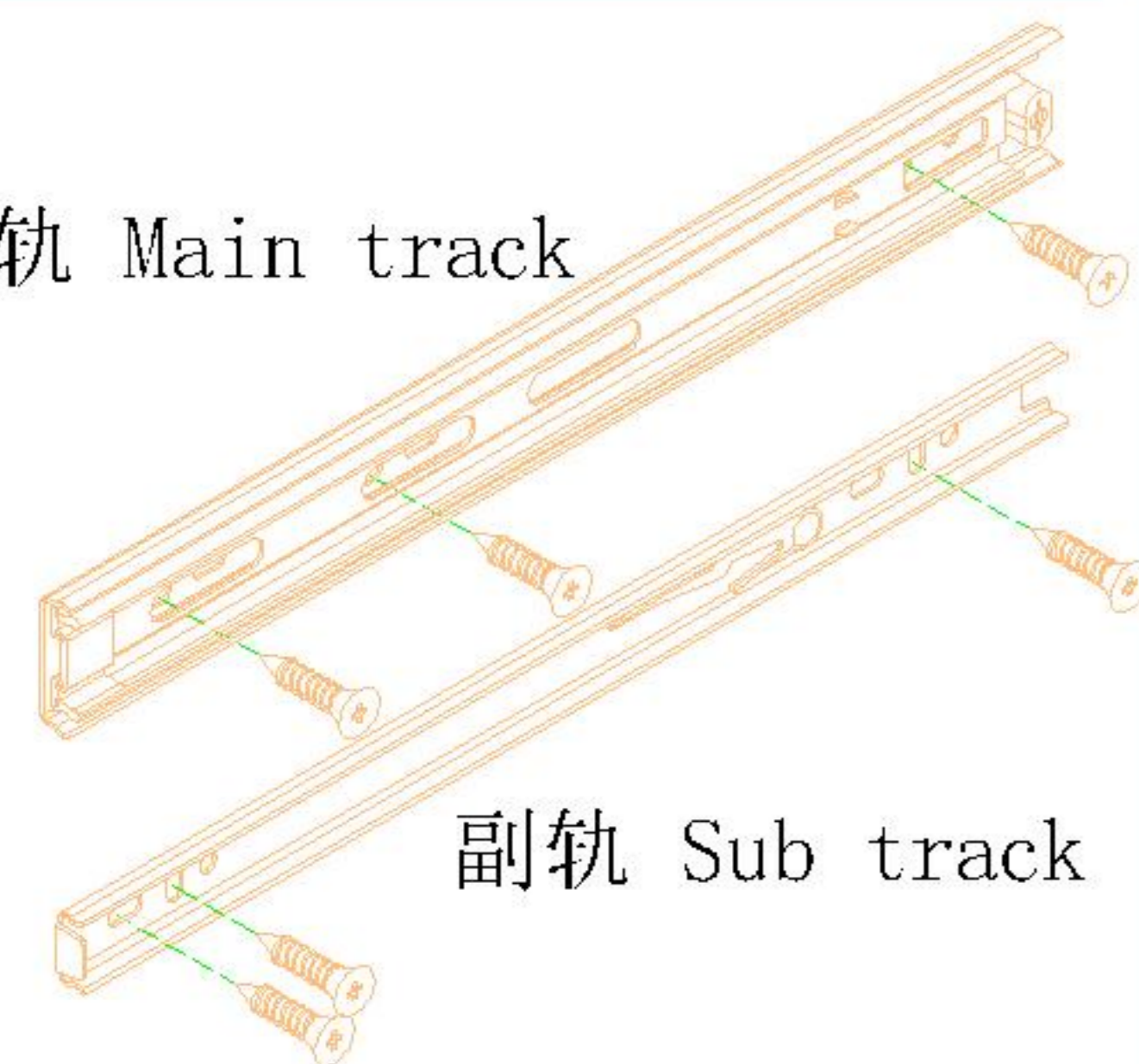


二合一 two-in-one

阀门开关(下压为开)  
Valve switch (press down to open)

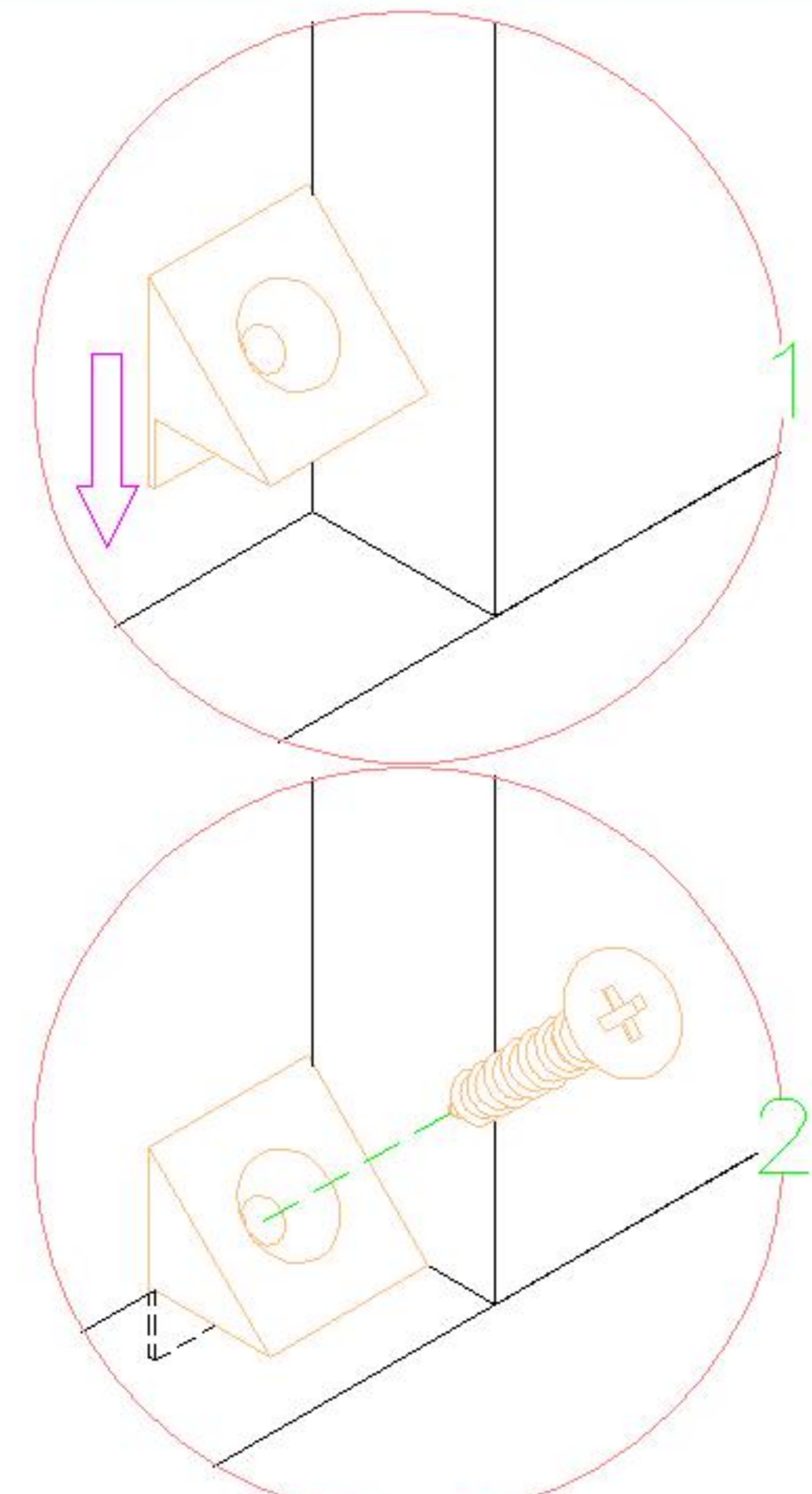


主轨 Main track



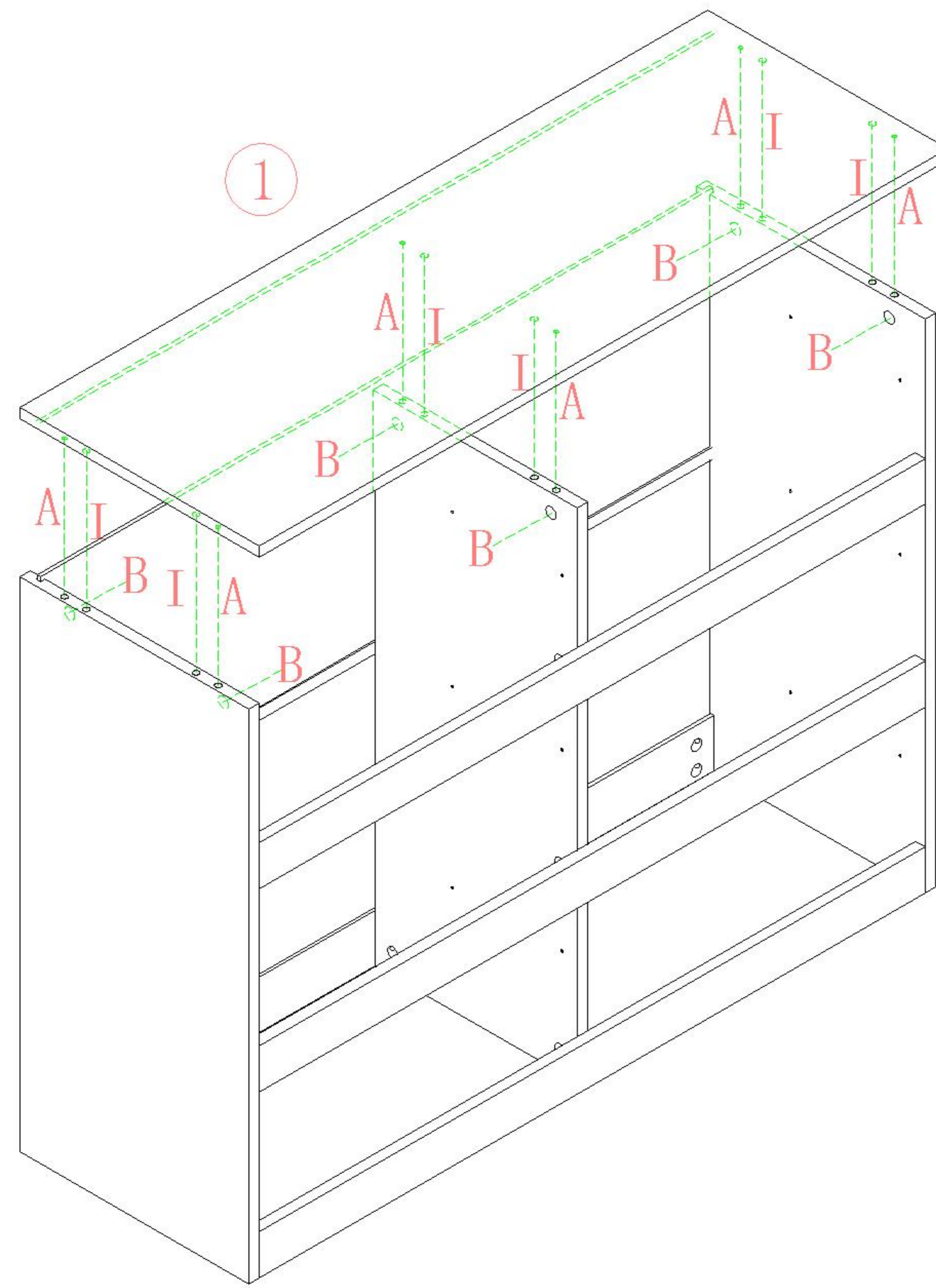
副轨 Sub track

三节滚珠导轨-10"  
Three-section rail



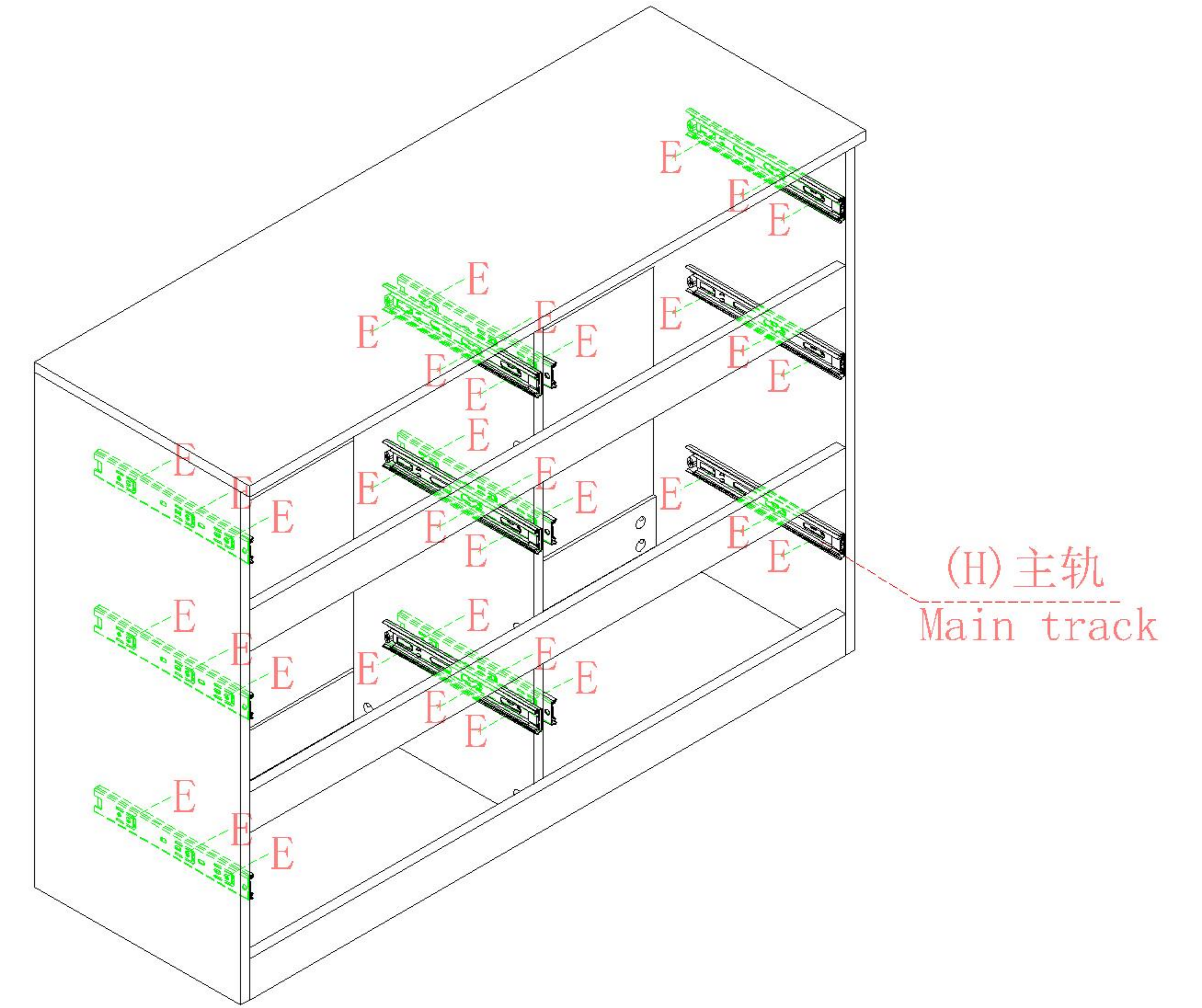
背板扣  
Back Plate Buckle

- (A)\*6
- (B)\*6
- (I)\*6

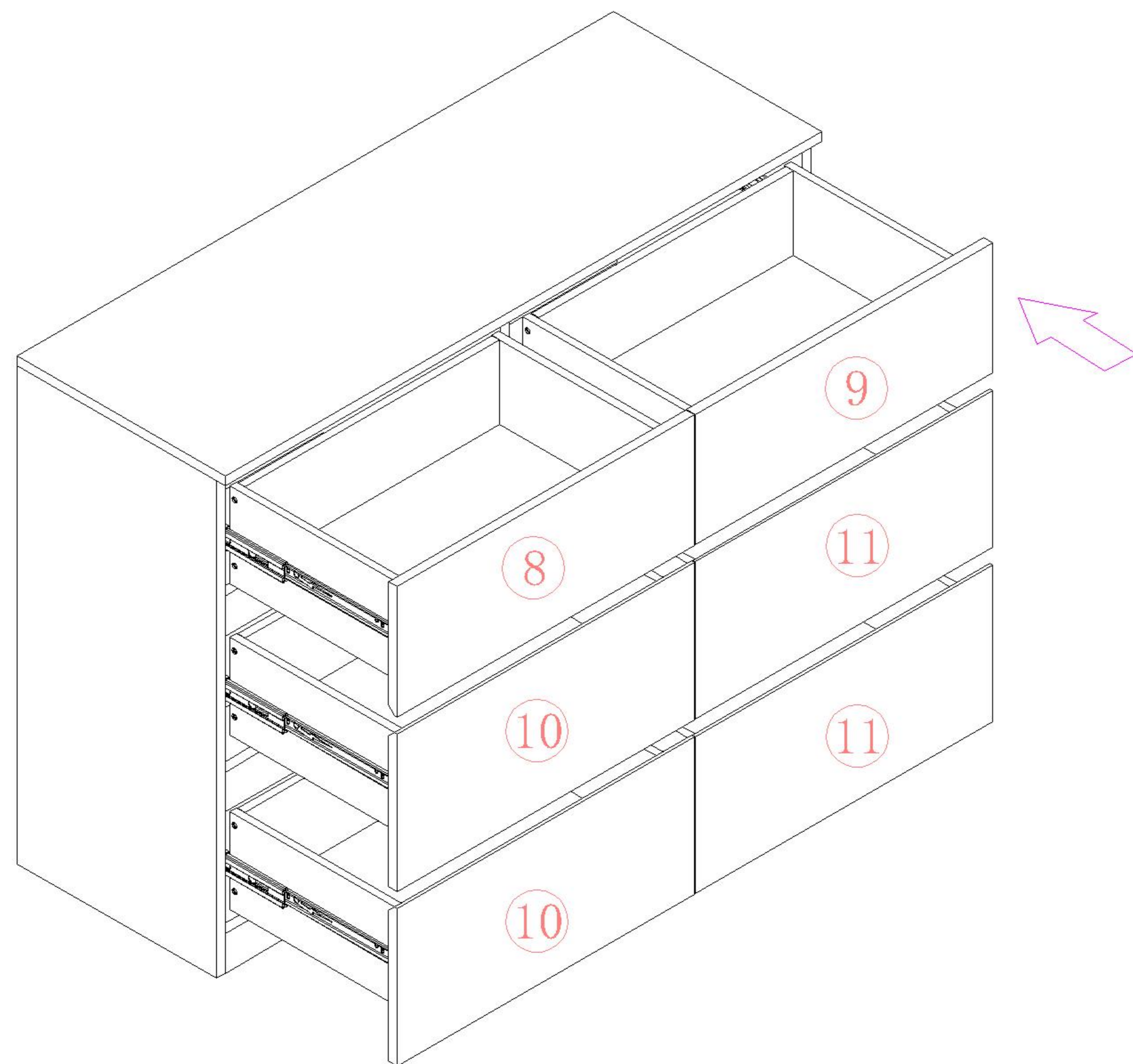


9

- (H)\*6
- (E)\*36

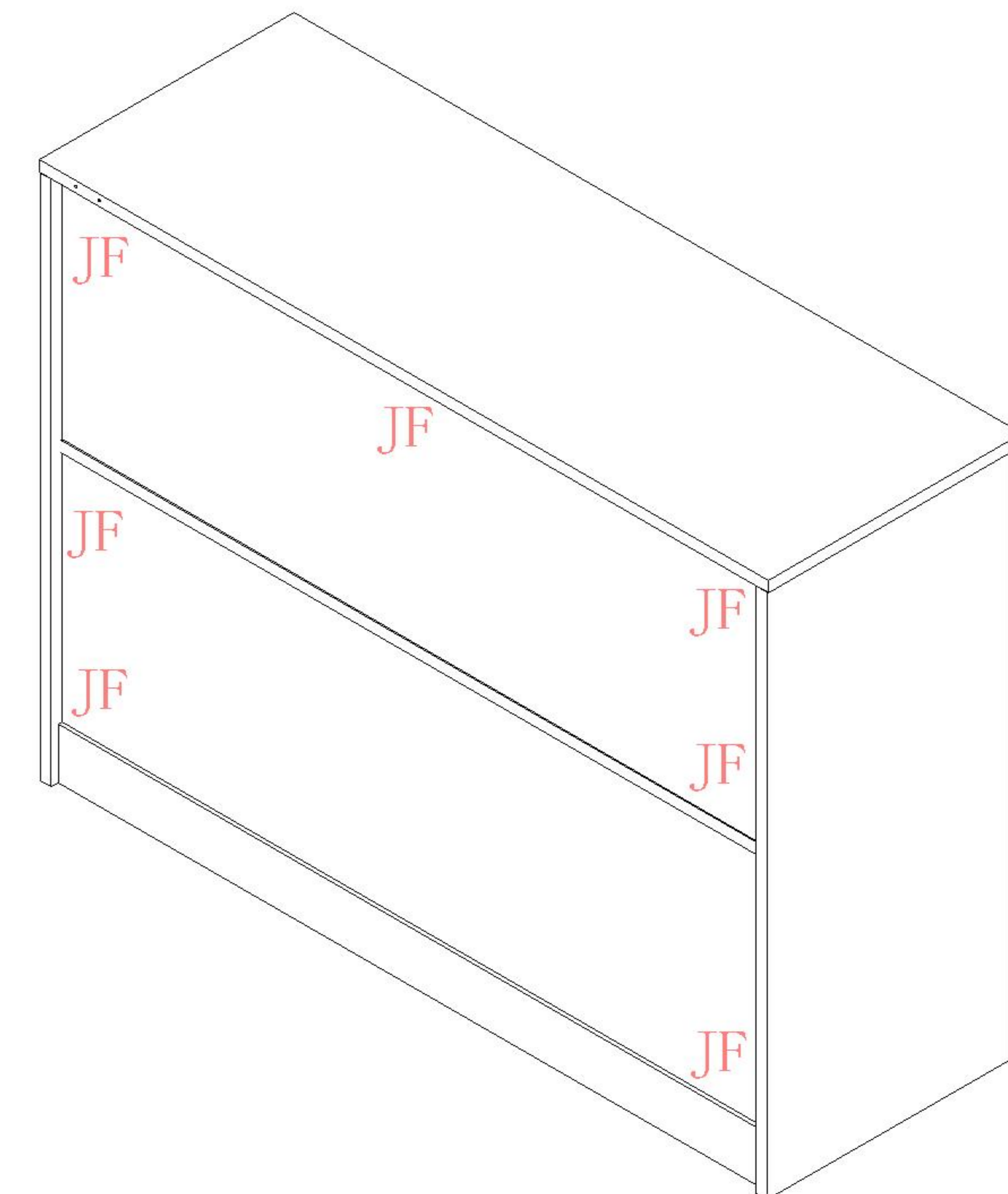


10

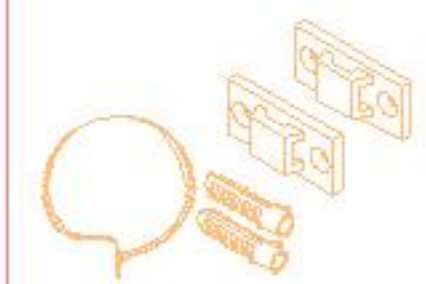


11

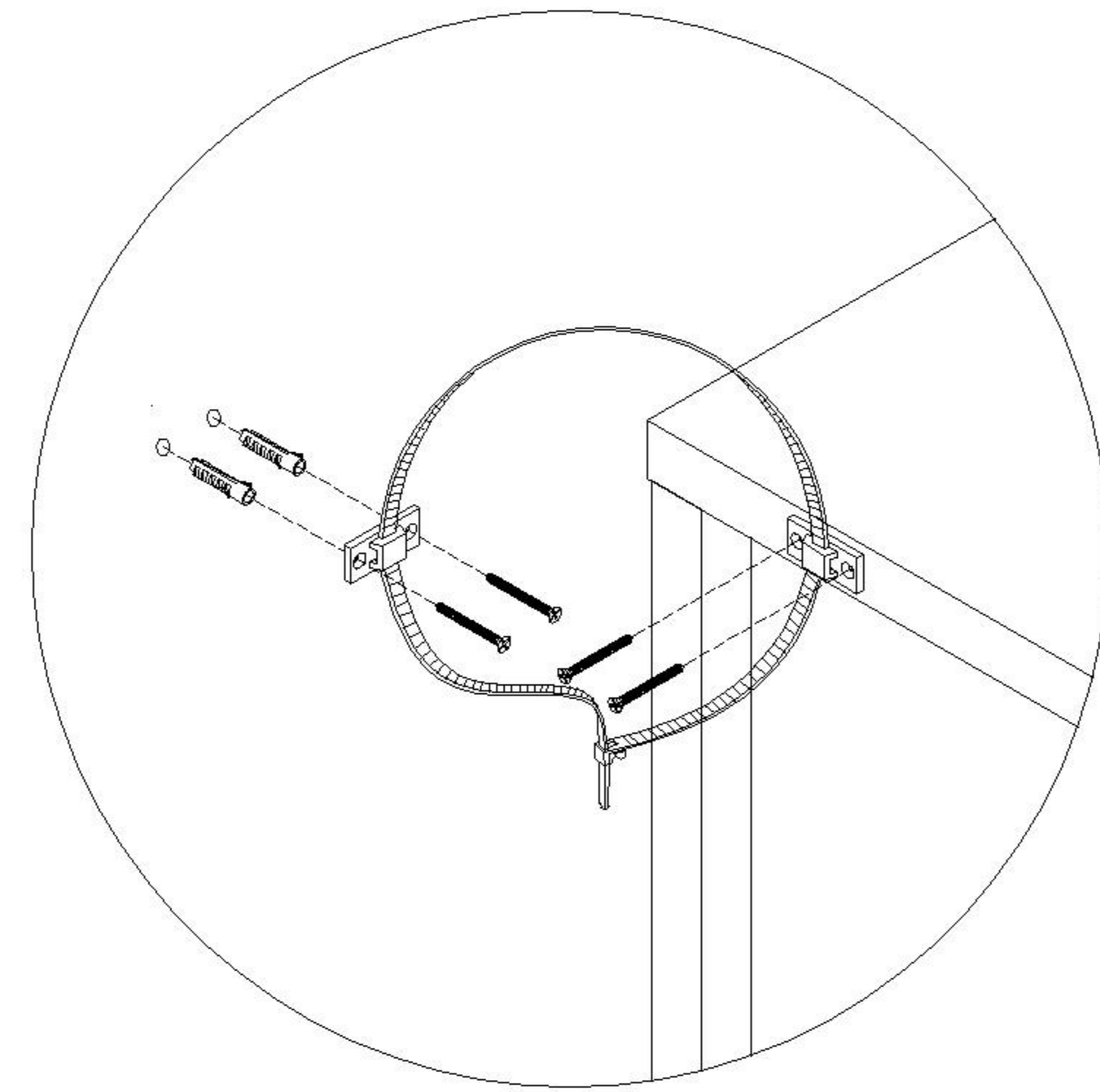
- (J)\*7
- (F)\*7



12



(N)\*1



N放大图  
Enlarged drawing

实体墙  
Solid wall

